



US00D776395S

(12) **United States Design Patent** (10) **Patent No.:** **US D776,395 S**
Fretz et al. (45) **Date of Patent:** **** Jan. 10, 2017**

(54) **WINCH**

(71) Applicant: **Warn Industries, Inc.**, Clackamas, OR (US)

(72) Inventors: **Darren G. Fretz**, Oregon City, OR (US); **Bryan Averill**, Portland, OR (US); **Steven W. Shuyler**, Clackamas, OR (US); **Bryon M. Bortrager**, West Linn, OR (US); **Kyle A. Hartelt**, Portland, OR (US); **Glenda M. Steele**, Milwaukie, OR (US)

(73) Assignee: **Warn Industries, Inc.**, Clackamas, OR (US)

(**) Term: **15 Years**

(21) Appl. No.: **29/539,009**

(22) Filed: **Sep. 10, 2015**

Related U.S. Application Data

(62) Division of application No. 29/483,214, filed on Feb. 26, 2014, now Pat. No. Des. 740,513, which is a division of application No. 29/426,013, filed on Jun. 29, 2012, now Pat. No. Des. 703,414.

(51) **LOC (10) Cl.** **12-05**

(52) **U.S. Cl.**
USPC **D34/33**

(58) **Field of Classification Search**
USPC ... D34/28, 33; 254/362, 356, 372, 380, 901, 254/382, 374, 316
CPC B66D 1/14; B66D 1/38; B66D 1/28; B66D 1/04; B66D 1/22; B66D 1/39; B66D 1/7405

See application file for complete search history.

(56) **References Cited**

U.S. PATENT DOCUMENTS

1,550,114 A	8/1925	Simpson	
2,360,713 A *	10/1944	Parker	B66D 3/12 254/337
2,365,141 A *	12/1944	Sully	B66D 3/24 254/269
3,190,617 A *	6/1965	Burrows	B66D 3/22 254/342
4,103,872 A *	8/1978	Hirasuka	B66D 1/58 254/356
5,098,068 A	3/1992	Jussila	
5,170,885 A *	12/1992	Guenther	H01B 17/42 174/50.63
5,482,255 A *	1/1996	Daschel	B66D 5/12 254/378

(Continued)

FOREIGN PATENT DOCUMENTS

CN	3360098	3/2004
CN	3534142	6/2006

(Continued)

Primary Examiner — Cynthia Ramirez

(74) *Attorney, Agent, or Firm* — Alleman Hall McCoy Russell & Tuttle LLP

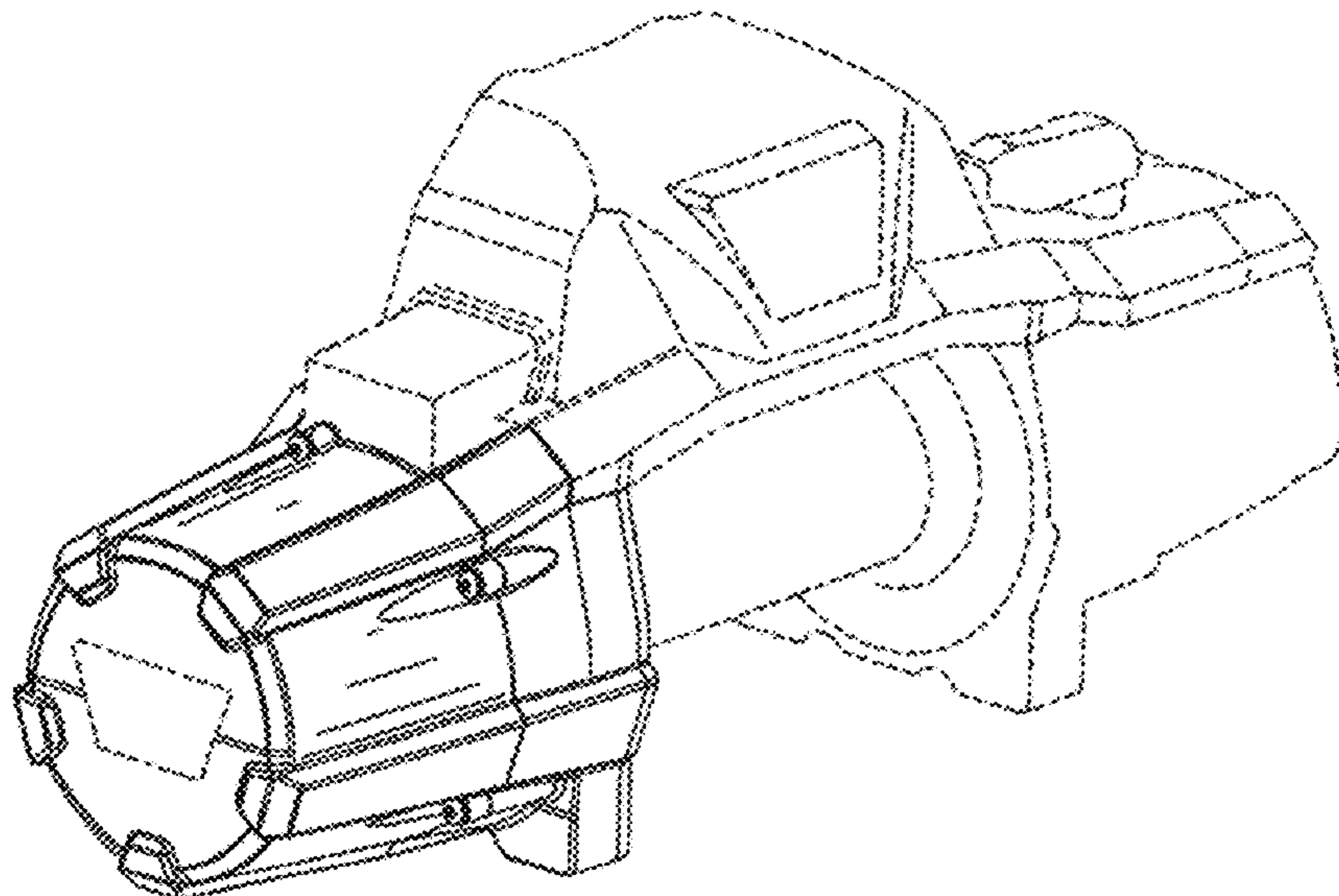
(57) **CLAIM**

The ornamental design for a winch, as shown and described.

DESCRIPTION

FIG. 1 is a front perspective view of the winch; FIG. 2 is a front plan view of the winch; FIG. 3 is a top plan view of the winch; FIG. 4 is a right side plan view of the winch; and, FIG. 5 is a left side plan view of the winch. The lines shown in phantom are for illustrative purposes only and do not form part of the claimed design.

1 Claim, 4 Drawing Sheets



(56)

References Cited

U.S. PATENT DOCUMENTS

6,073,917 A * 6/2000 Plummer B66D 1/7447
242/602.2
D473,992 S 4/2003 Hodge
6,601,828 B2 8/2003 Strbuncelj et al.
6,604,731 B2 * 8/2003 Hodge B66D 1/22
254/344
D489,157 S 4/2004 Lawson
6,864,650 B2 * 3/2005 Heravi B60P 3/12
318/266
D550,924 S 9/2007 Huang
D555,874 S 11/2007 Elliott et al.
D597,105 S 7/2009 Geisler et al.
D599,524 S 9/2009 Averill et al.
7,891,641 B1 2/2011 Miller
D703,414 S * 4/2014 Fretz D34/33
D740,513 S * 10/2015 Fretz D34/33
2009/0134372 A1 5/2009 Giacomini et al.

FOREIGN PATENT DOCUMENTS

CN 300821624 8/2008
CN 301923099 S 5/2012

* cited by examiner

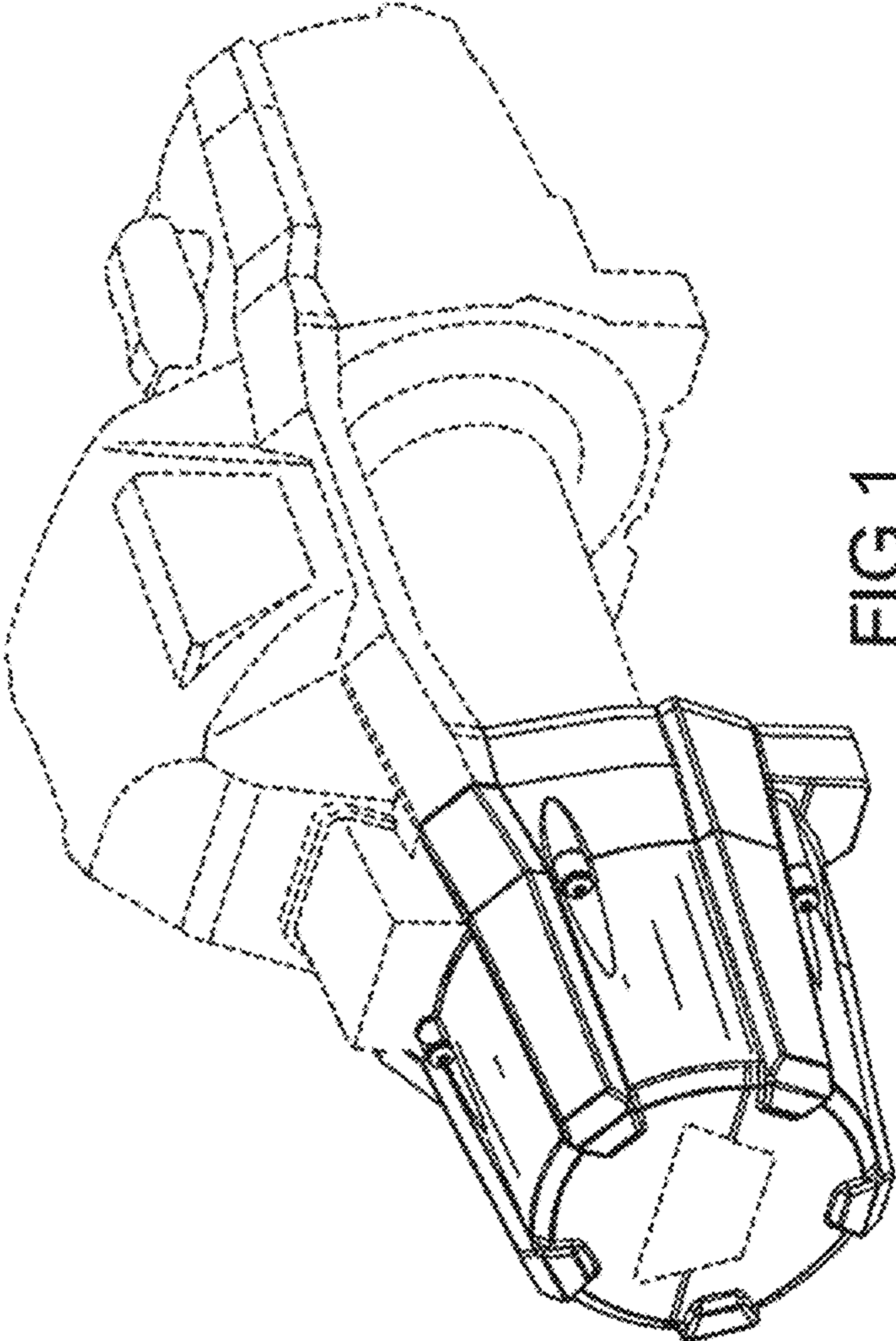


FIG 1

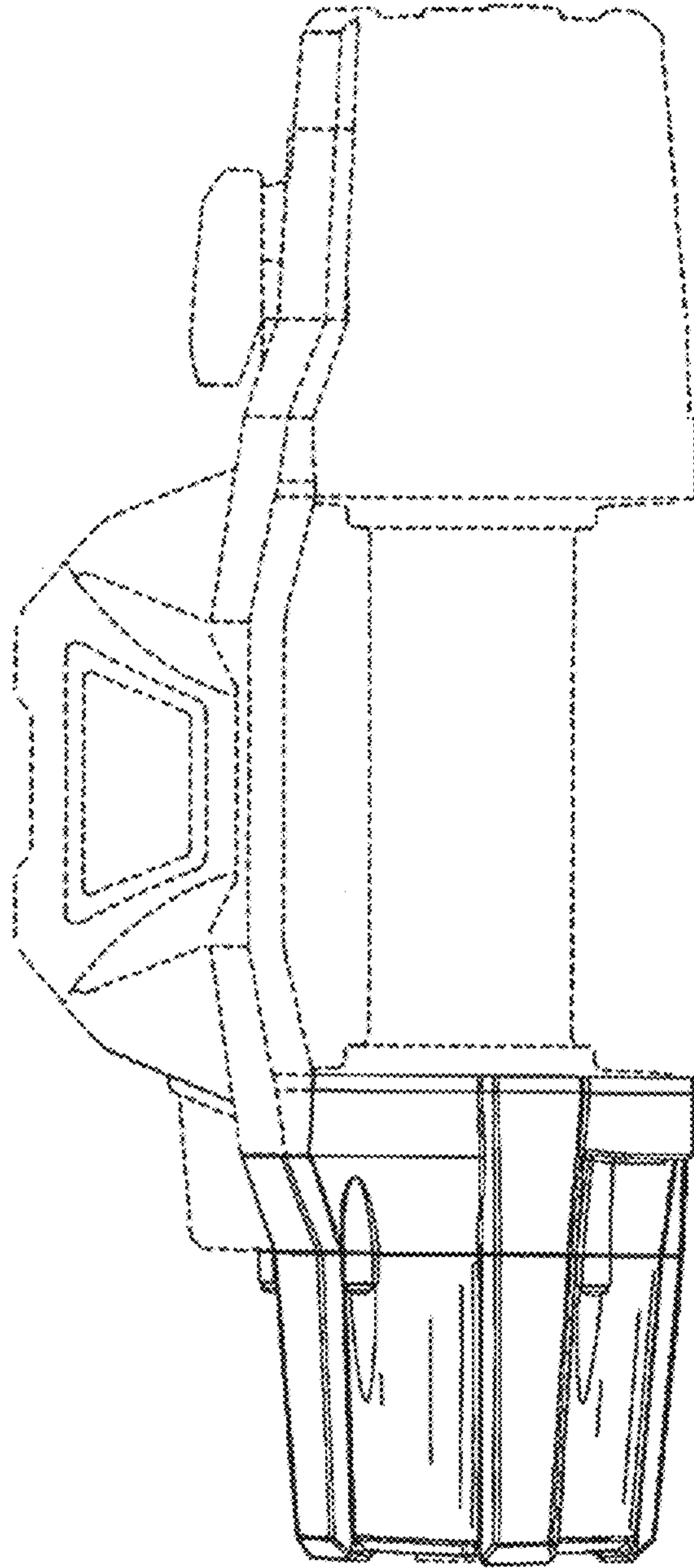


FIG 2

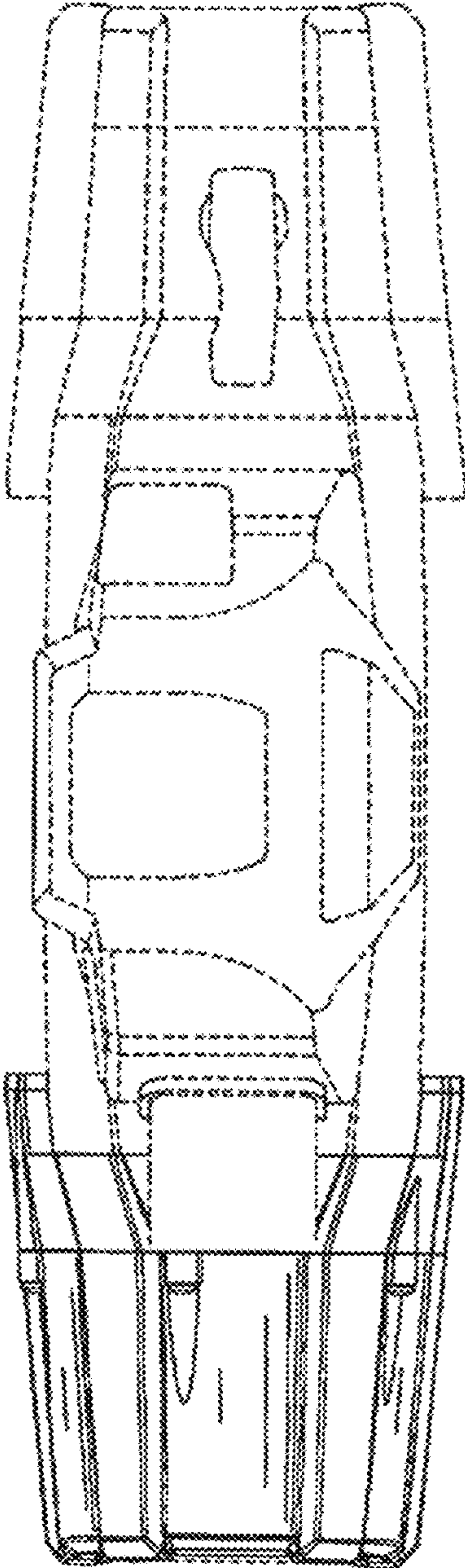


FIG 3

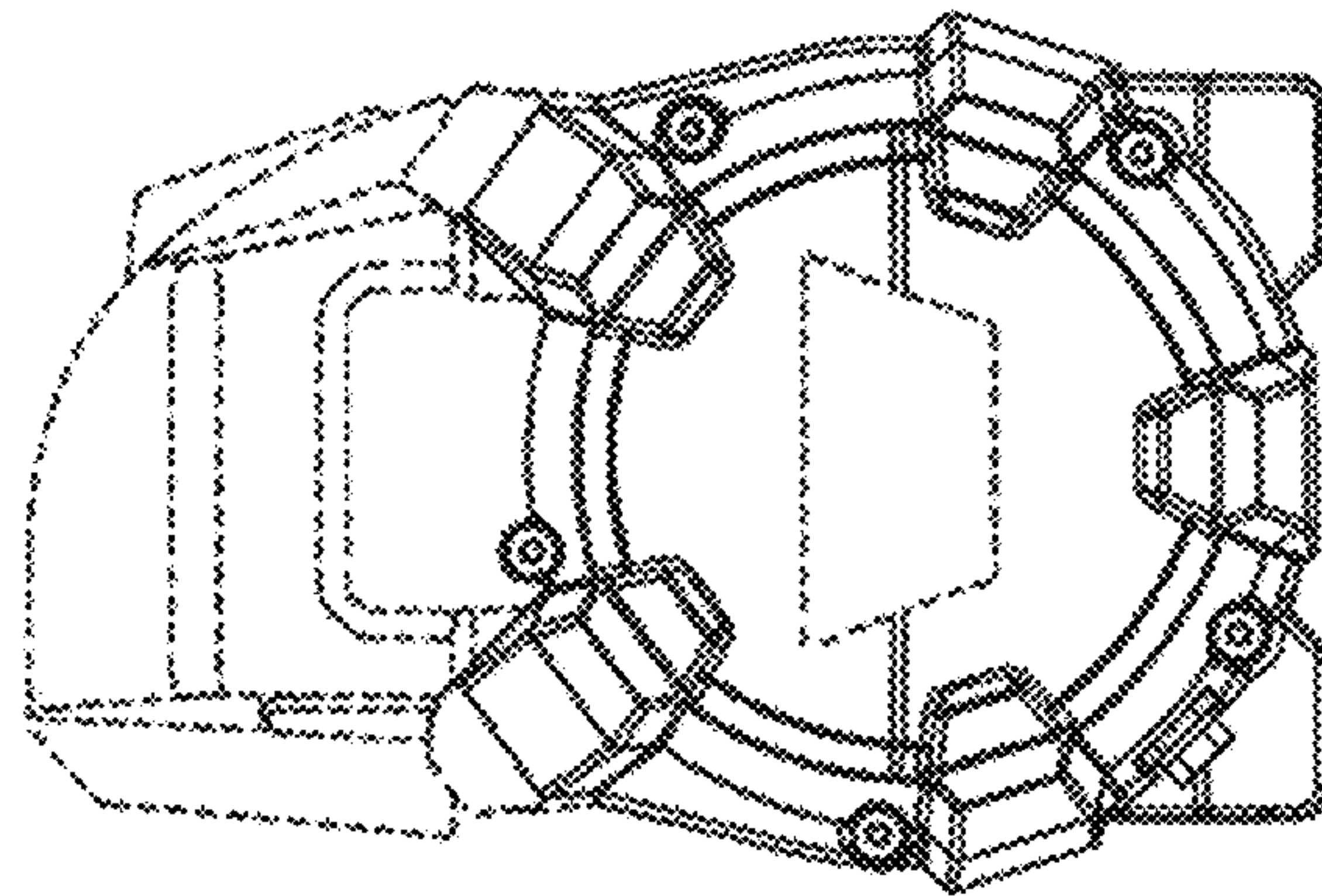


FIG 5

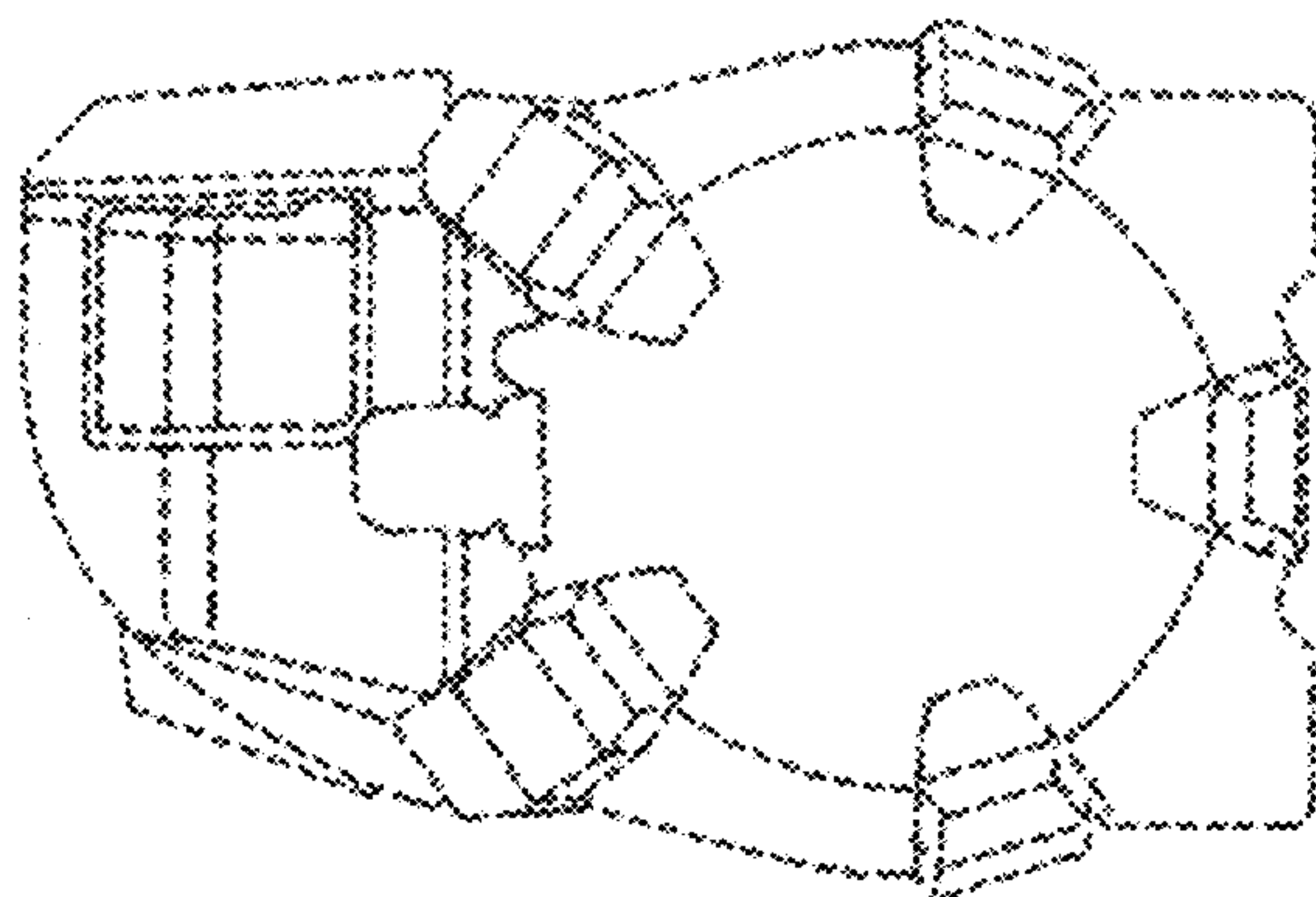


FIG 4