



US00D776392S

(12) **United States Design Patent**  
**Prichard**

(10) **Patent No.:** **US D776,392 S**  
(45) **Date of Patent:** **\*\* Jan. 10, 2017**

- (54) **CARRIER LIFT FOR PLUMBING**
- (71) Applicant: **David Prichard**, Ontario, CA (US)
- (72) Inventor: **David Prichard**, Ontario, CA (US)
- (\*\*) Term: **14 Years**
- (21) Appl. No.: **29/524,856**
- (22) Filed: **Apr. 23, 2015**
- (51) **LOC (10) Cl.** ..... **12-05**
- (52) **U.S. Cl.**  
USPC ..... **D34/28**
- (58) **Field of Classification Search**  
USPC .. D34/31, 28; 254/2 R, 93 H, 134, 324, 143  
CPC ..... B60B 29/002; B60B 29/001; B64F 1/22;  
B64F 1/02; B64F 1/227  
See application file for complete search history.

D371,450 S	7/1996	Hodges	
D378,457 S *	3/1997	Page	D34/28
D388,923 S	1/1998	Pacheco et al.	
D427,406 S	6/2000	Hartwall	
D458,432 S	6/2002	Whiteside et al.	
D468,512 S	1/2003	Hernandez	
6,773,222 B1	8/2004	Gilchrist	
D537,605 S *	2/2007	Rivera	D34/31
D594,622 S	6/2009	Kissun	
D602,670 S	10/2009	Laursen	
D650,957 S	12/2011	Erickson	
D722,414 S *	2/2015	Lusty	D34/31
D731,733 S *	6/2015	Robb, Jr.	D34/28
D759,335 S *	6/2016	Kim	D34/28

\* cited by examiner

*Primary Examiner* — Cynthia Ramirez

(74) *Attorney, Agent, or Firm* — Kirk A. Buhler; Buhler & Associates

(56) **References Cited**

U.S. PATENT DOCUMENTS

4,762,239 A *	8/1988	Wissman	B66C 19/02 212/179
D302,891 S	8/1989	Lardell	
4,941,645 A *	7/1990	Hall	B62B 3/0637 254/324
D329,518 S *	9/1992	Selvey	D34/31
D333,200 S	2/1993	Berrian	
D334,452 S *	3/1993	Duncan	D34/31
D340,340 S *	10/1993	Allen	280/79.7
D340,562 S	10/1993	Kean et al.	
D361,587 S	8/1995	Chapman	
D364,978 S *	12/1995	Smith	D12/106
D366,547 S	1/1996	Arn	

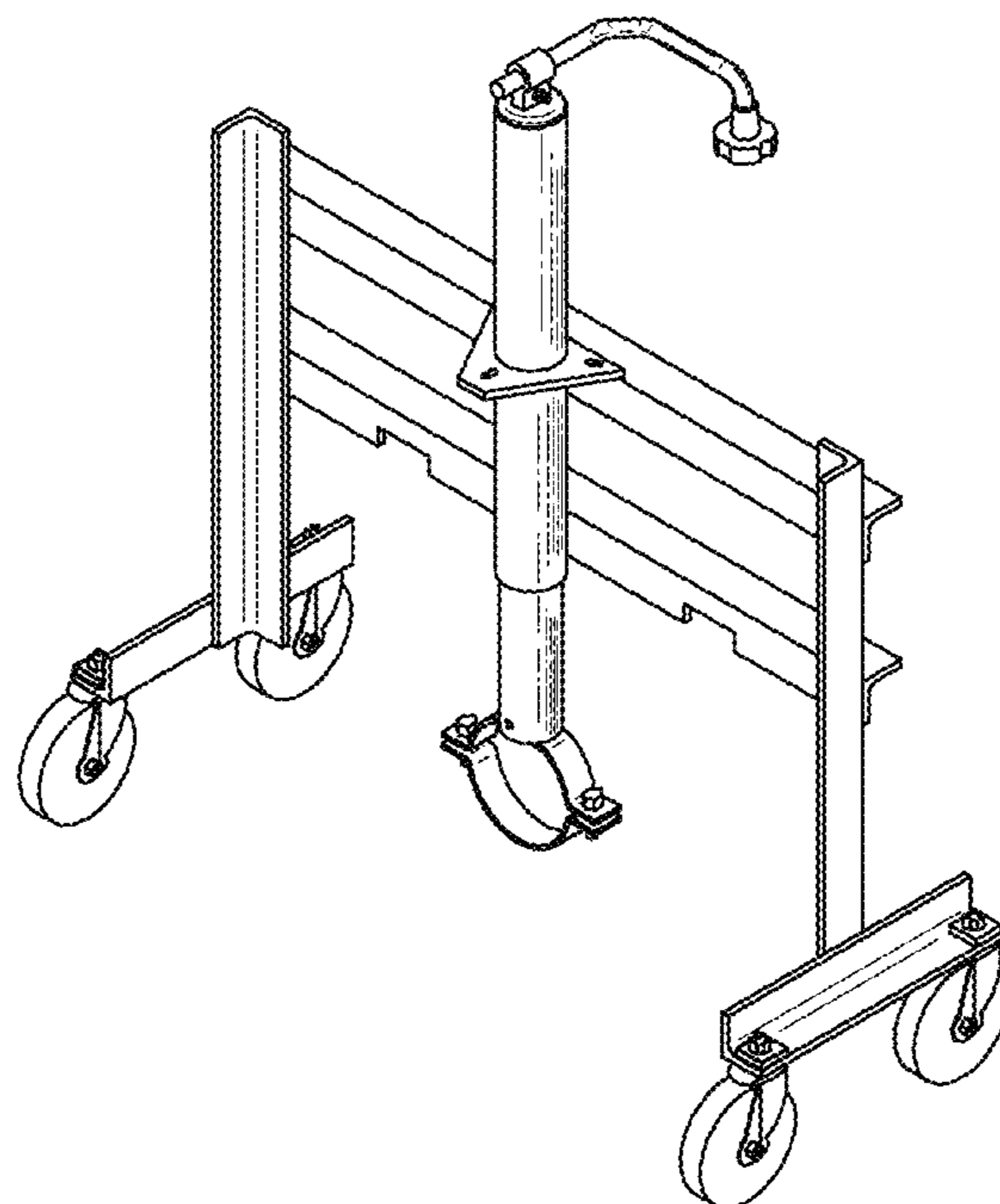
(57) **CLAIM**

The ornamental design for a carrier lift for plumbing, as shown and described.

**DESCRIPTION**

FIG. 1 is a top perspective view for a carrier lift for plumbing showing my new design; FIG. 2 is a front side view thereof; FIG. 3 is a back side view thereof; FIG. 4 is a top side view thereof; FIG. 5 is a bottom side view thereof; FIG. 6 is a left side view thereof; and, FIG. 7 is a right side view thereof.

**1 Claim, 4 Drawing Sheets**



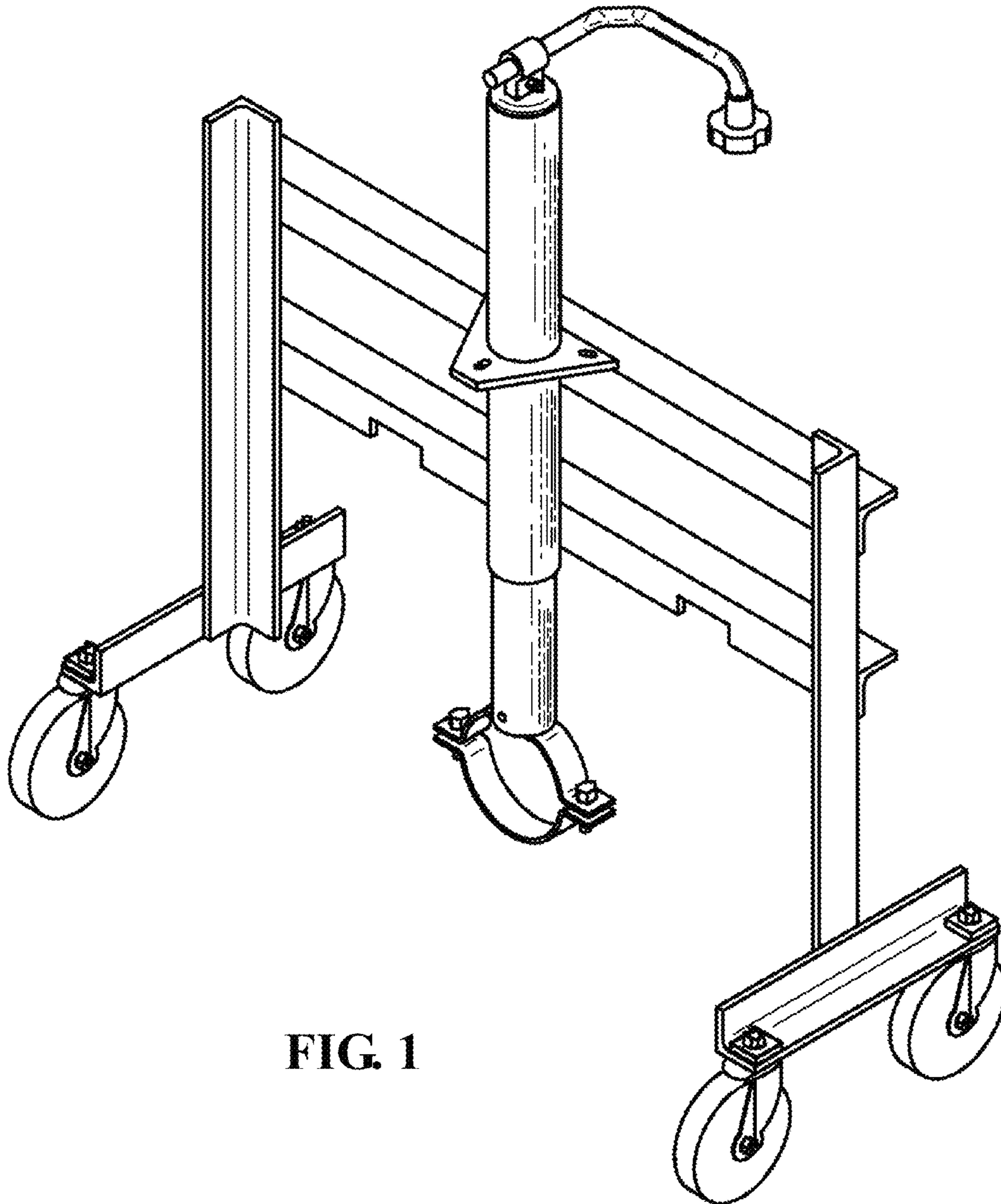


FIG. 1

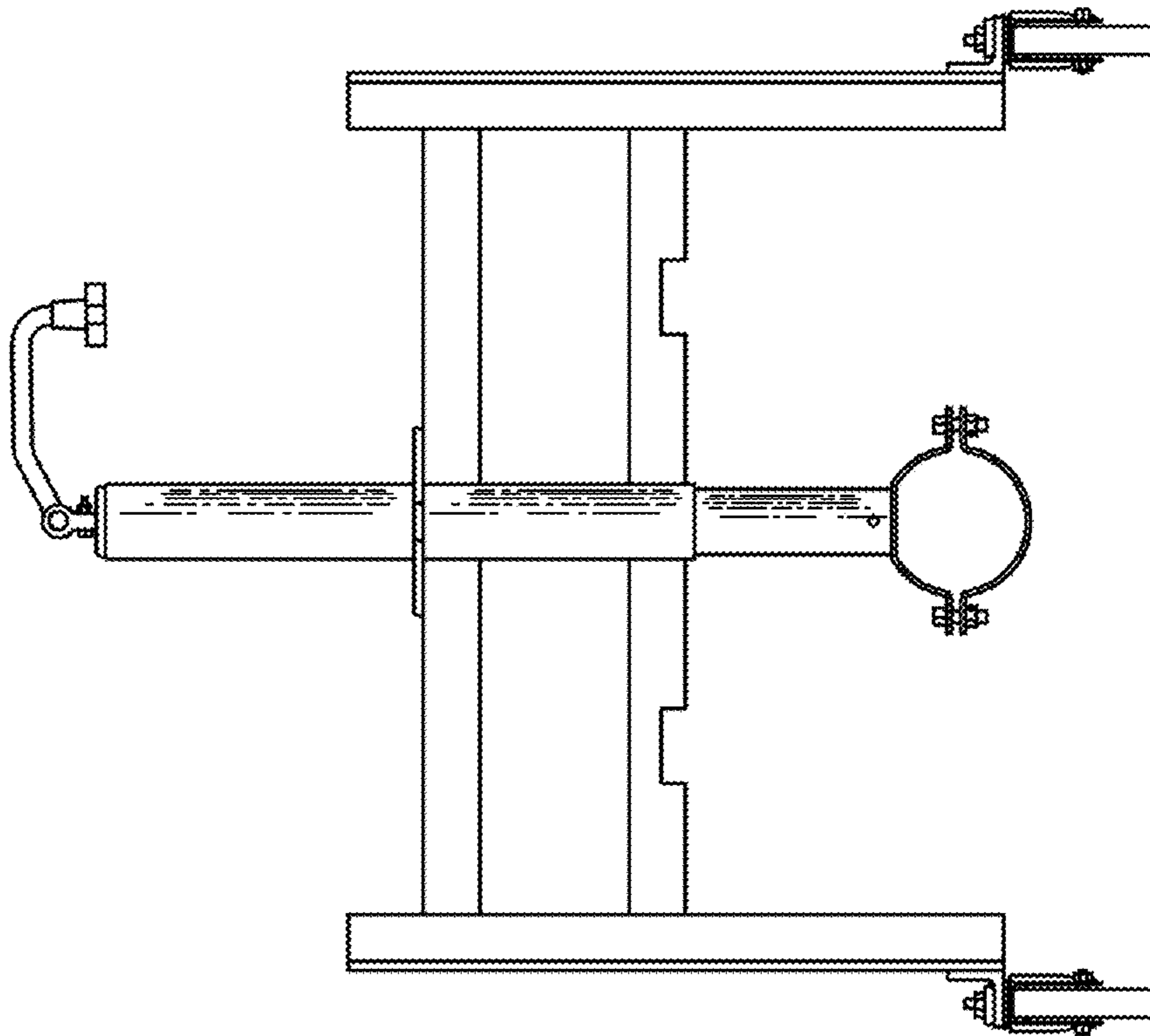


FIG. 2

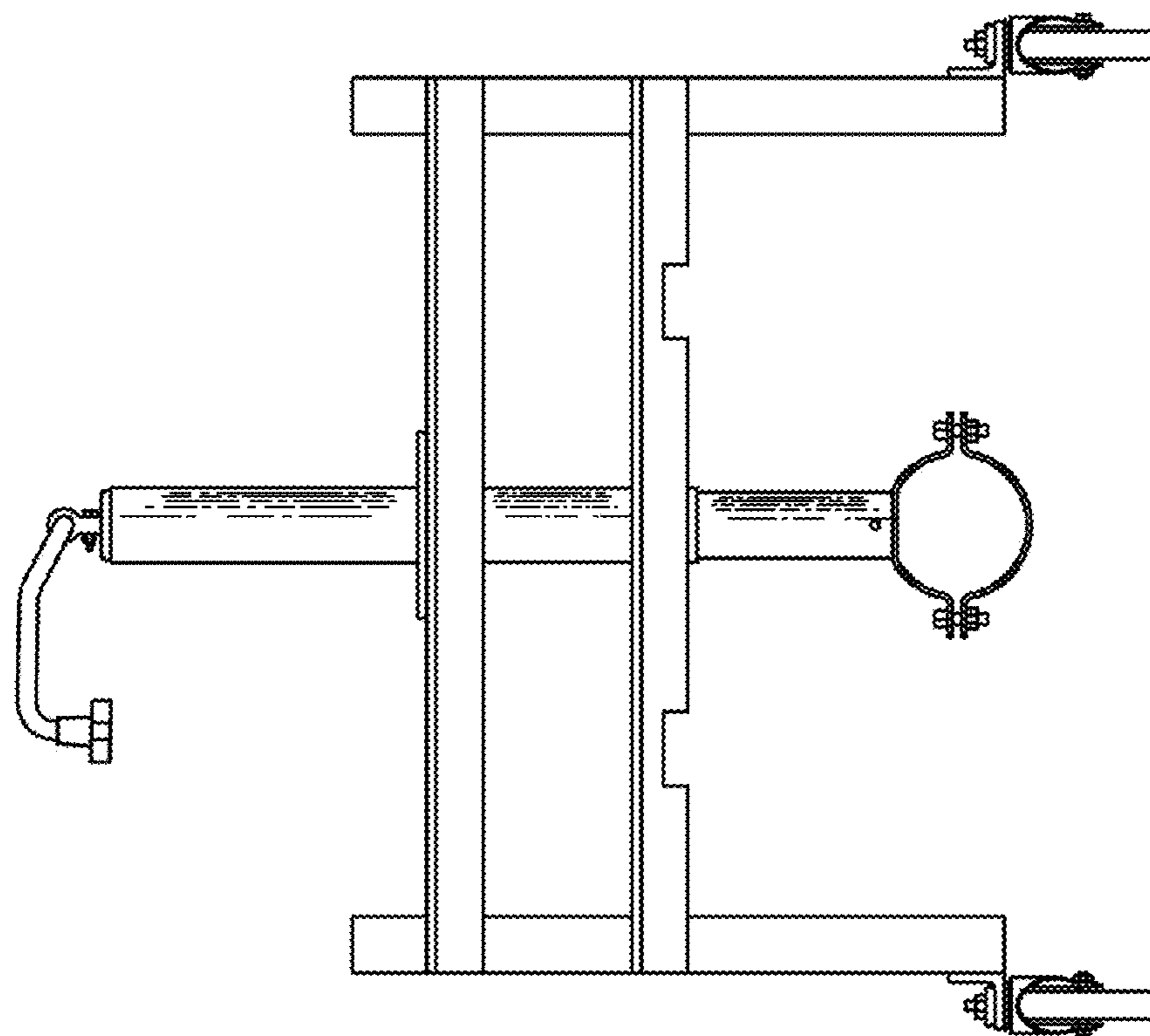


FIG. 3

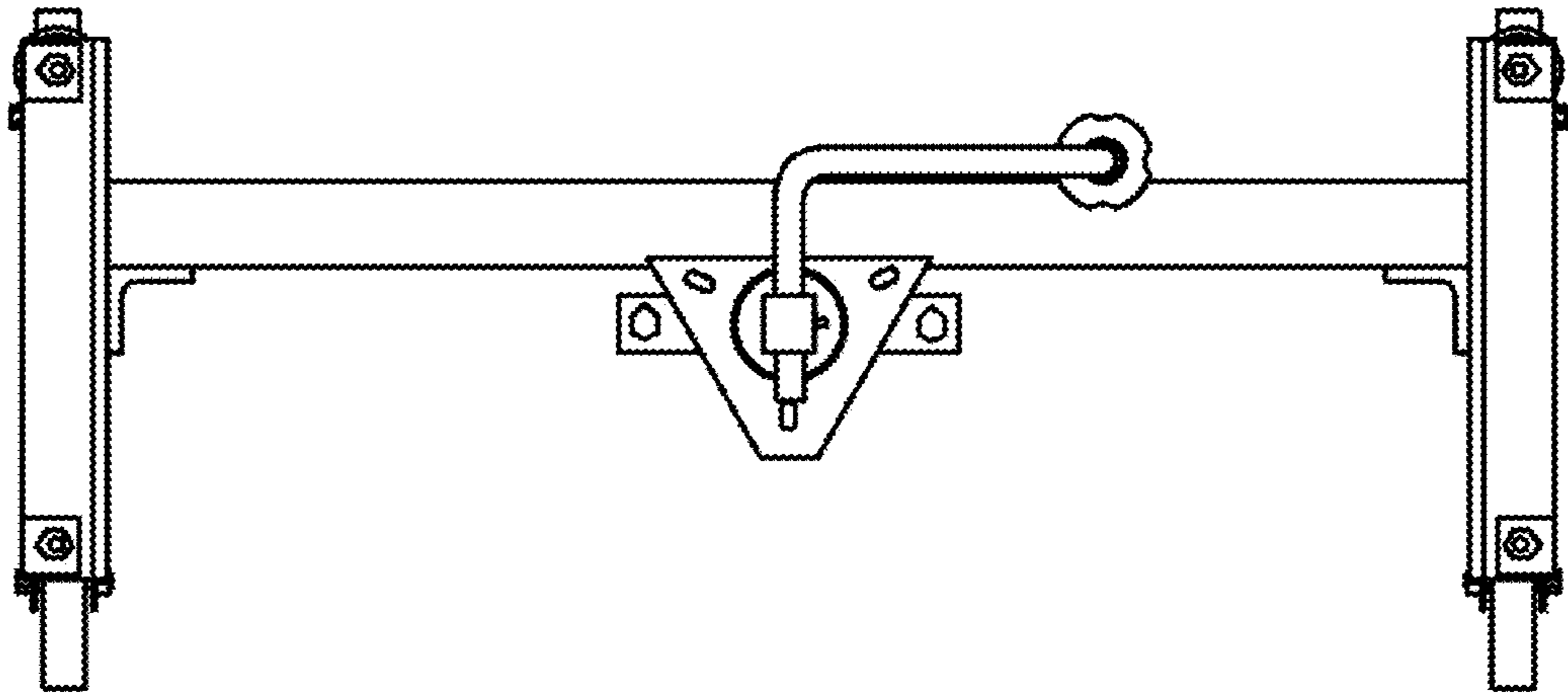


FIG. 4

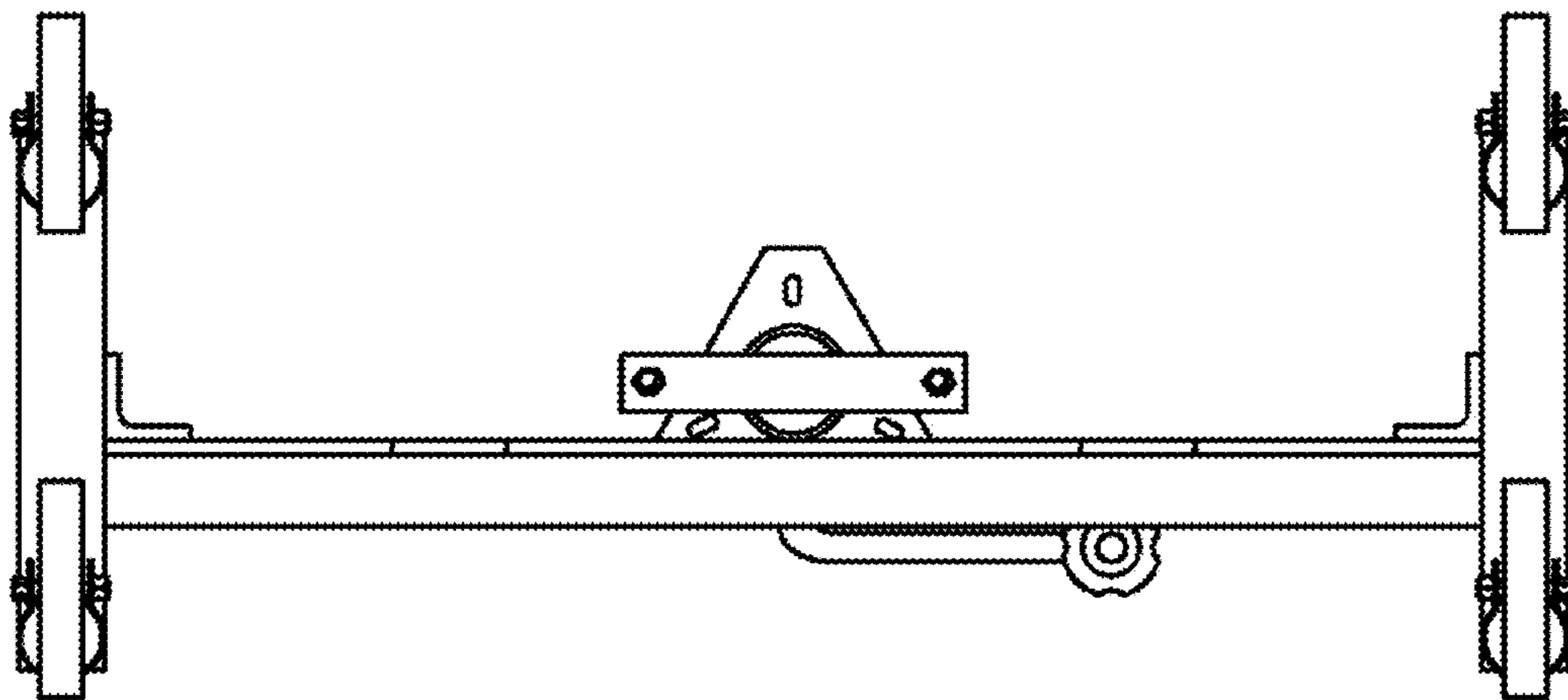


FIG. 5

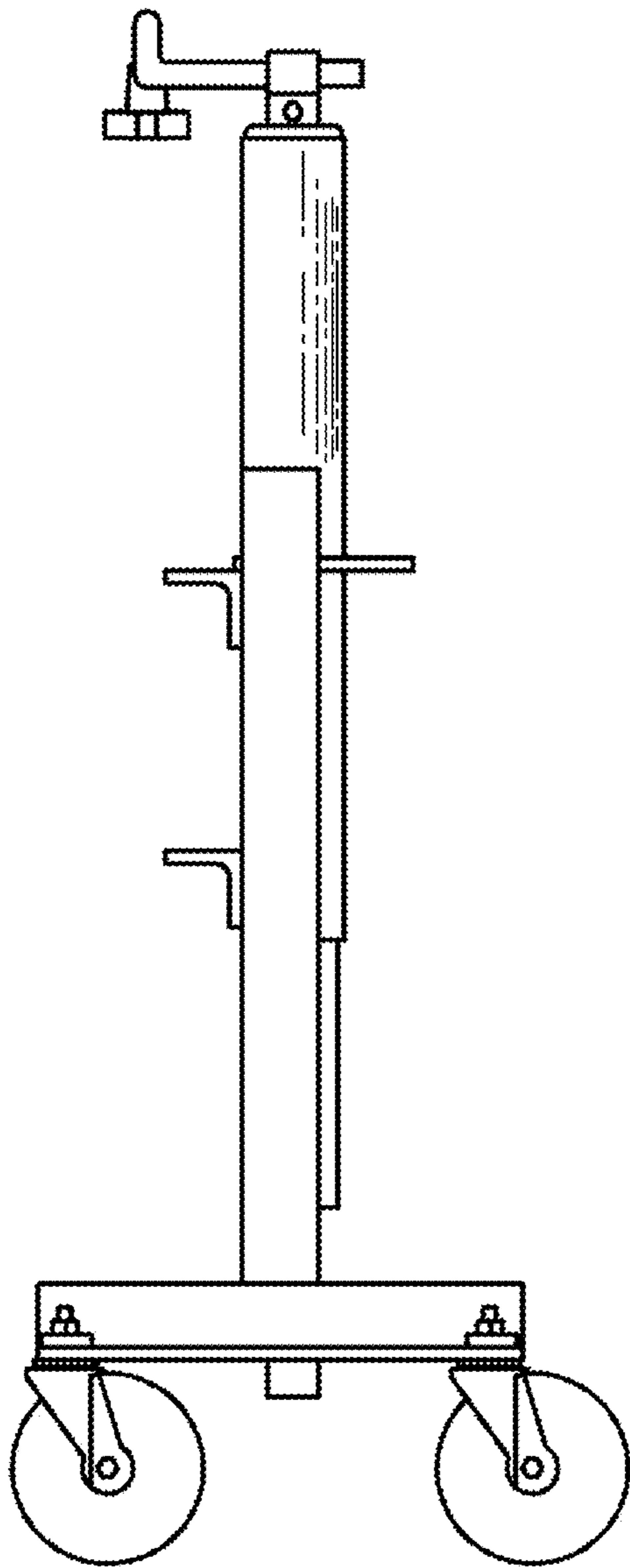


FIG. 6

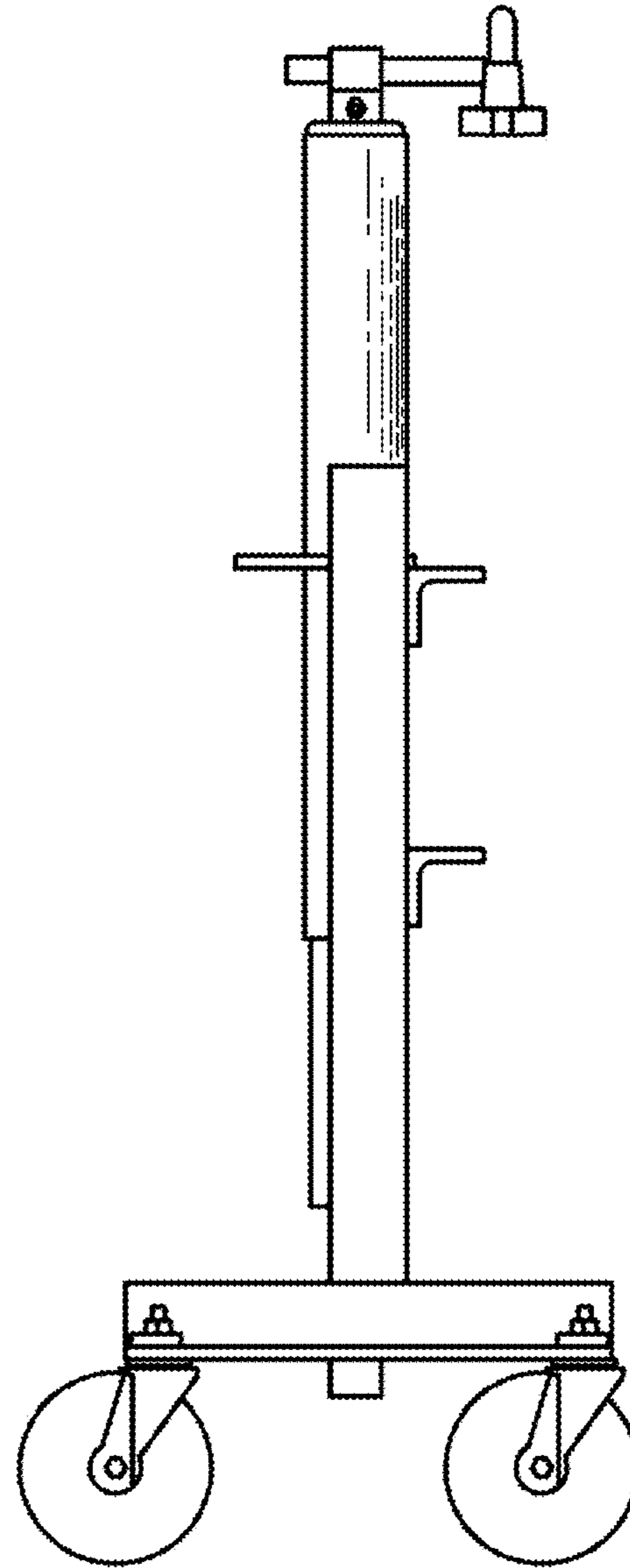


FIG. 7