



US00D776391S

(12) **United States Design Patent**  
**Daniell**

(10) **Patent No.:** **US D776,391 S**  
(45) **Date of Patent:** **\*\* Jan. 10, 2017**

(54) **WASTE MANAGEMENT CART WITH ADVERTISING PANELS**

(71) Applicant: **Junk Bunk Inc.**, Aurora (CA)

(72) Inventor: **Gary A. Daniell**, Aurora (CA)

(\*\*) Term: **14 Years**

(21) Appl. No.: **29/521,467**

(22) Filed: **Mar. 24, 2015**

(51) **LOC (10) Cl.** ..... **12-02**

(52) **U.S. Cl.**  
USPC ..... **D34/21**

(58) **Field of Classification Search**  
USPC ..... D34/12-27; 280/47.35, 47.34, 79.11,  
280/79.2  
CPC ..... B62B 3/02; B62B 3/10; B62B 3/12;  
B62B 3/006; B62B 3/002

See application file for complete search history.

(56) **References Cited**

**U.S. PATENT DOCUMENTS**

2,825,163	A	3/1958	Peretti	
3,024,554	A	3/1962	Kempher	
3,589,746	A *	6/1971	Inglis	A47B 57/12 108/181
3,793,756	A	2/1974	Kay et al.	
3,997,182	A	12/1976	Mortenson	
4,595,107	A *	6/1986	Welsch	A47B 57/265 108/147.13
4,754,885	A *	7/1988	Rich	A47F 5/132 211/132.1
D301,790	S *	6/1989	Ivano	D34/17
4,922,639	A	5/1990	Rehrig	
D430,375	S *	8/2000	Tezak	D34/21
6,944,981	B1	9/2005	Garberg et al.	
7,004,480	B2	2/2006	Trubiano	

7,195,155	B2	3/2007	Garberg et al.	
D542,997	S *	5/2007	Coderre	D34/17
D577,172	S *	9/2008	Coderre	D34/12
7,490,847	B2	2/2009	Dahl	
D607,173	S *	12/2009	Selvig	D34/21
D615,123	S *	5/2010	Graves	D18/34.5
7,857,329	B2 *	12/2010	Cai	A47B 31/00 211/134
D636,550	S *	4/2011	Molayem	D34/17
8,215,039	B2	7/2012	Watson	
D665,552	S *	8/2012	Walter	D34/21
D672,111	S *	12/2012	Walter	D34/21
D703,412	S *	4/2014	Snider	D34/17
D748,882	S *	2/2016	Abel	D34/17

(Continued)

*Primary Examiner* — Cynthia Ramirez

(74) *Attorney, Agent, or Firm* — Bereskin & Parr  
LLP/S.E.N.C.R.L., s.r.l.

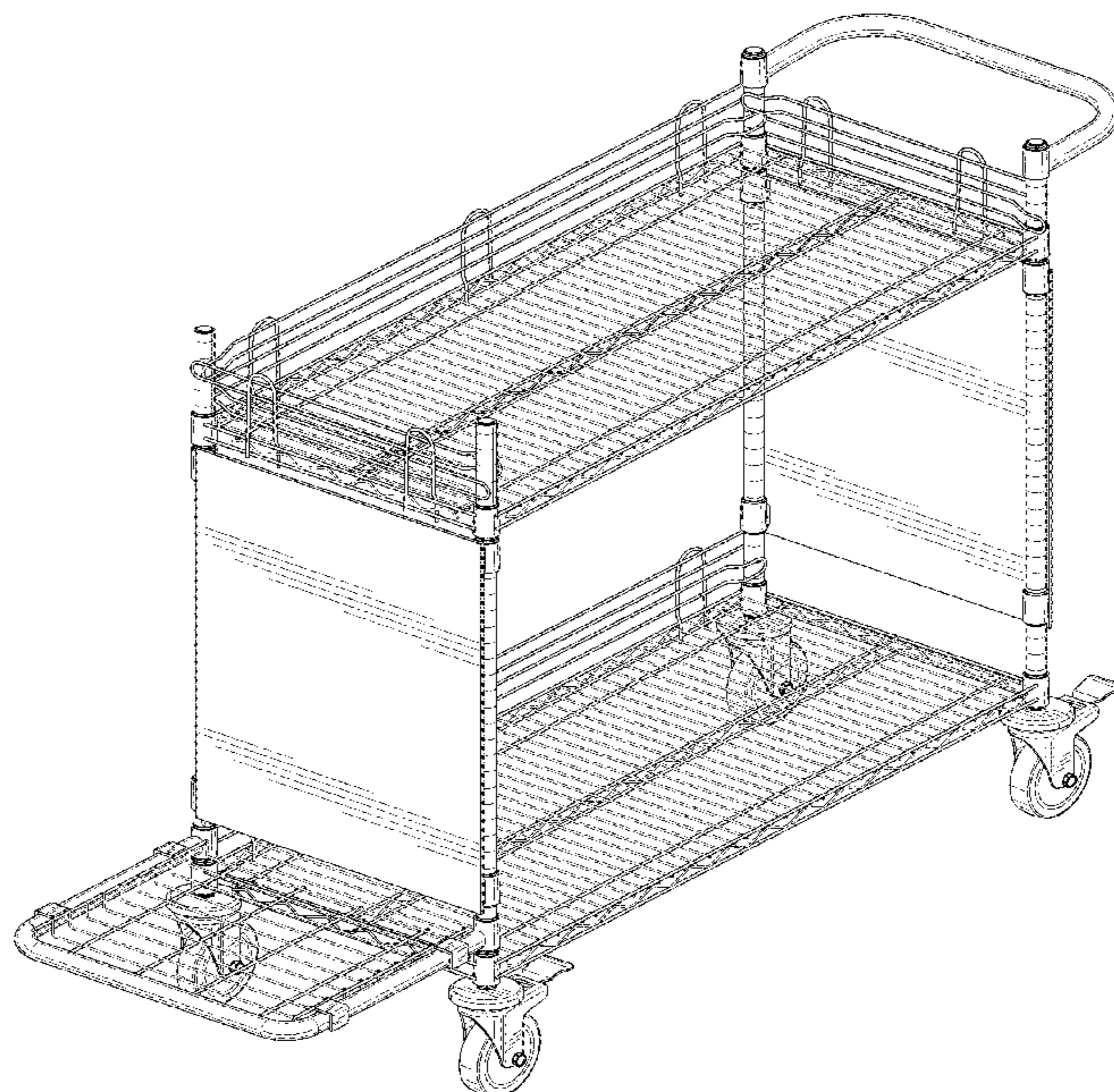
(57) **CLAIM**

The ornamental design for a waste management cart with advertising panels, as shown and described.

**DESCRIPTION**

FIG. 1 is a front perspective view of a waste management cart with advertising panels showing my new design; FIG. 2 is a left side elevational view thereof; FIG. 3 is a front elevational view thereof; FIG. 4 is right side elevational view thereof; FIG. 5 is rear elevational view thereof; FIG. 6 is top plan view thereof; FIG. 7 is a bottom plan view thereof; and, FIG. 8 is a front perspective view showing the waste management cart with advertising panels in use. The broken line showing of boxes and the letters "AD" in FIG. 8 is included for the purpose of illustrating environment and forms no part of the claimed design.

**1 Claim, 8 Drawing Sheets**



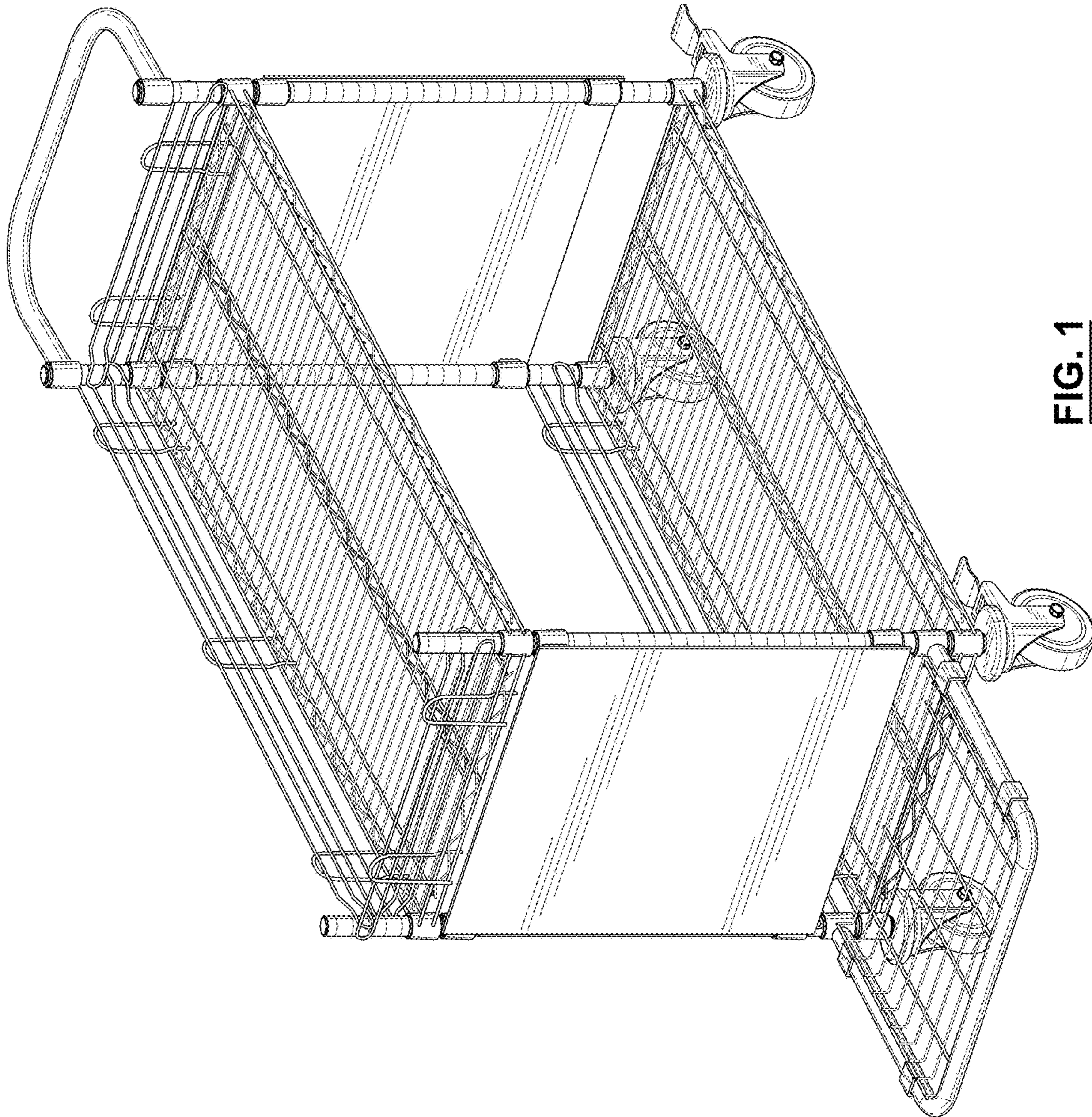
(56)

**References Cited**

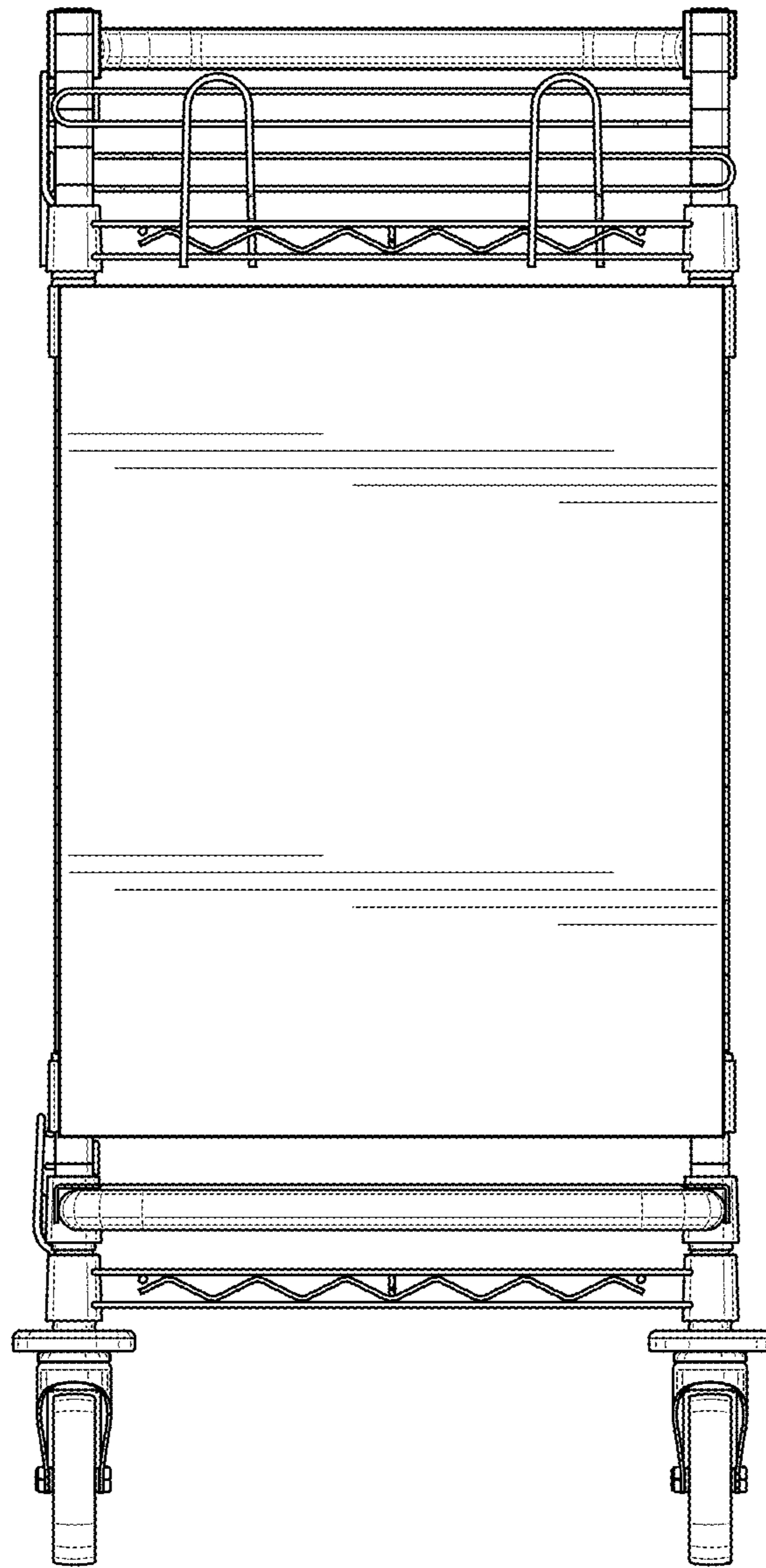
U.S. PATENT DOCUMENTS

2003/0218308 A1 \* 11/2003 Lamson ..... B62B 3/002  
280/79.3  
2009/0065541 A1 3/2009 Thomas

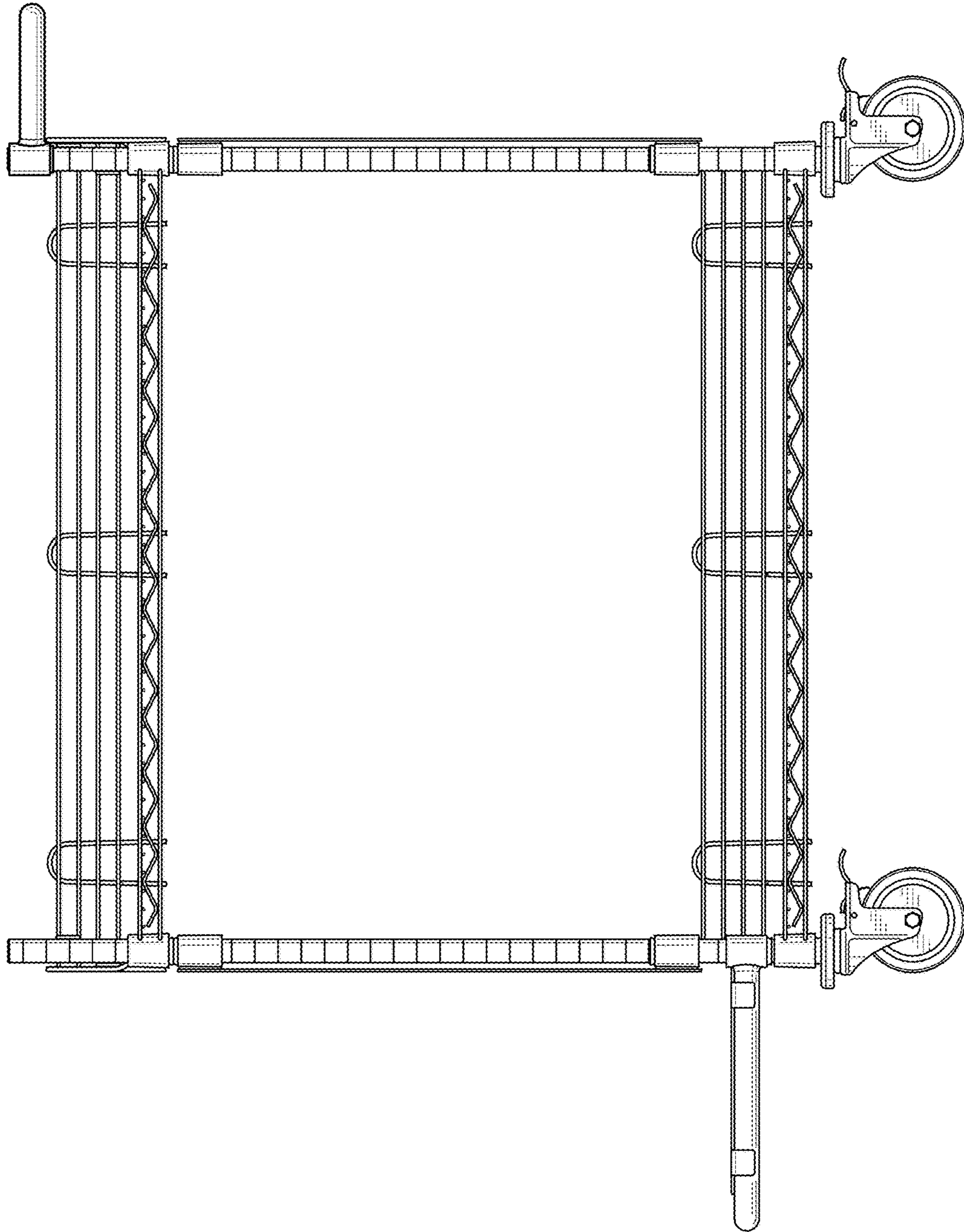
\* cited by examiner



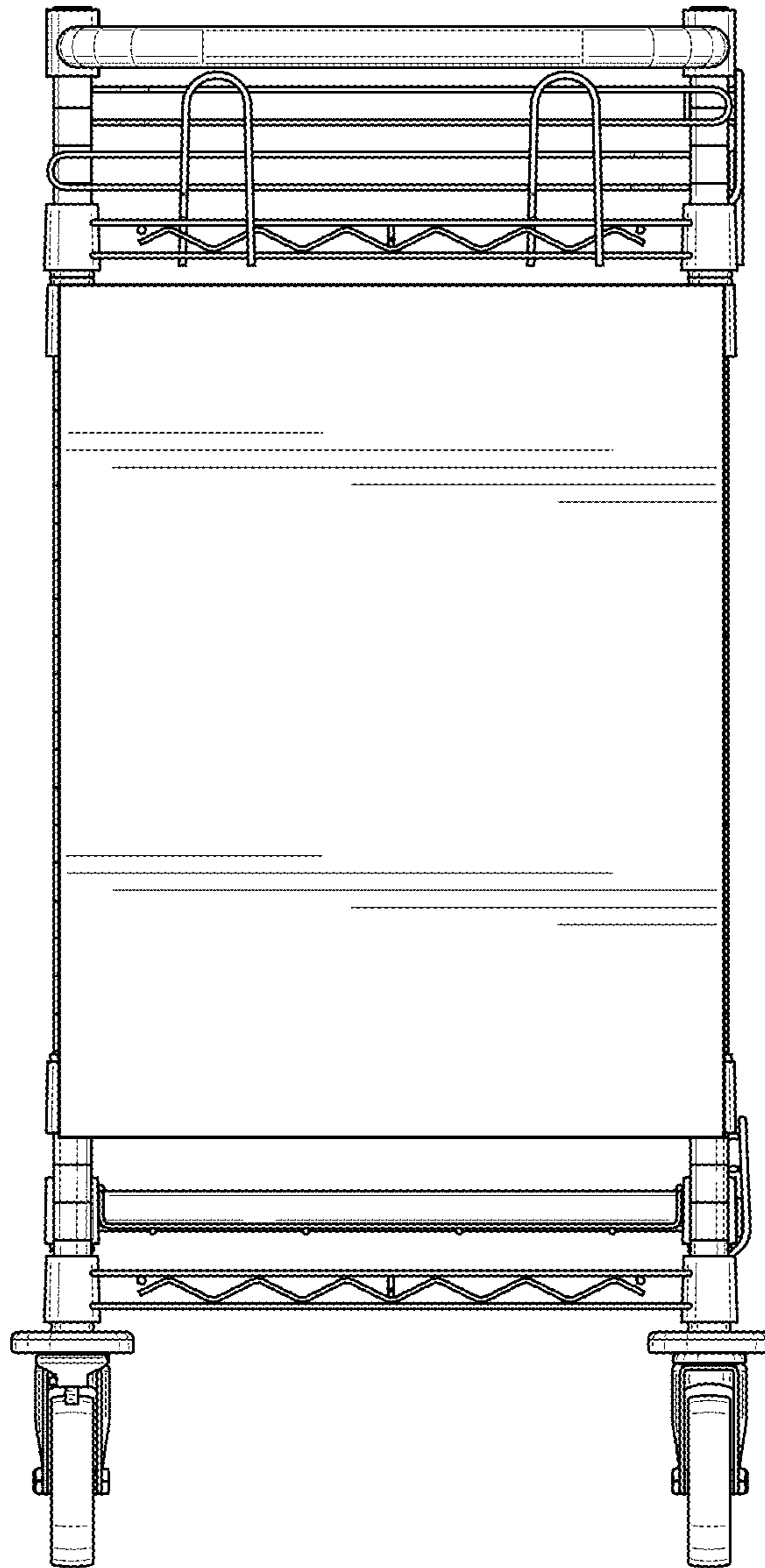
**FIG. 1**



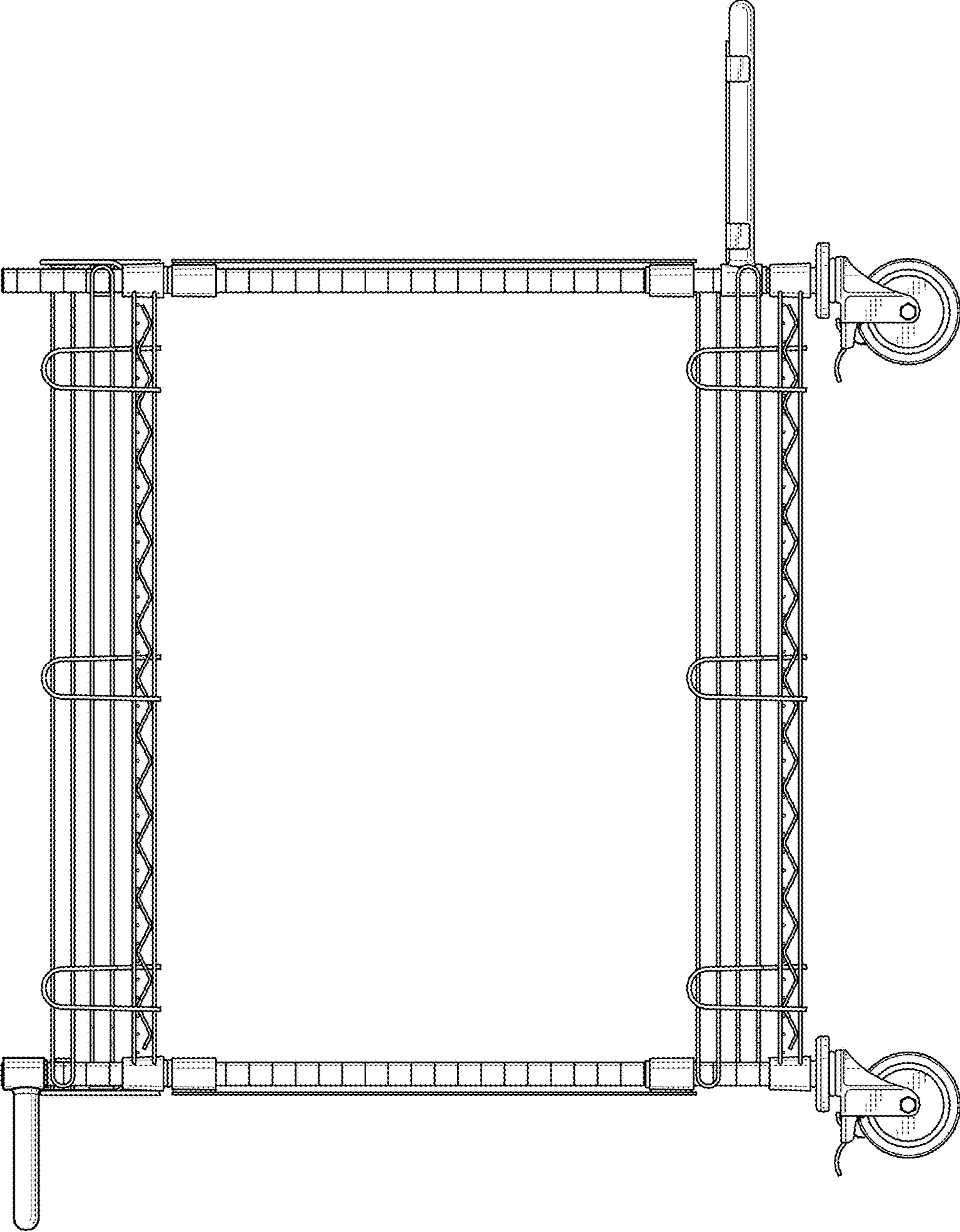
**FIG. 2**



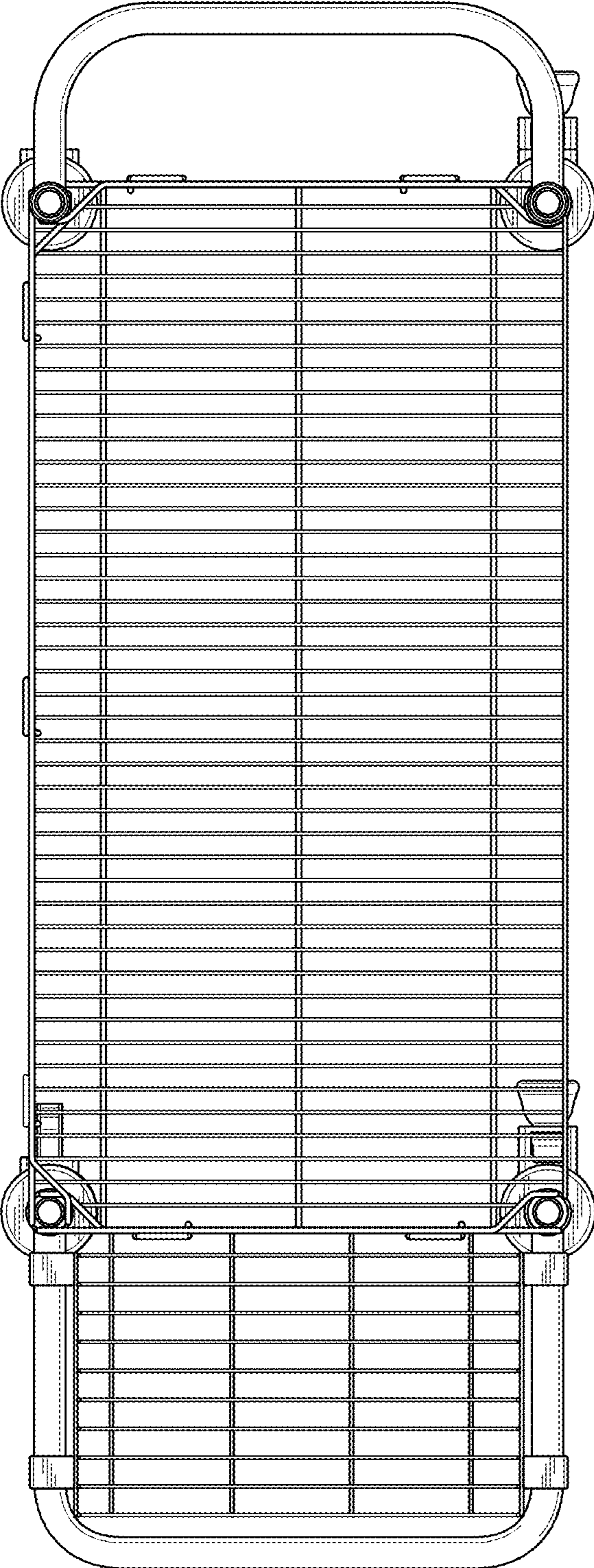
**FIG. 3**



**FIG. 4**

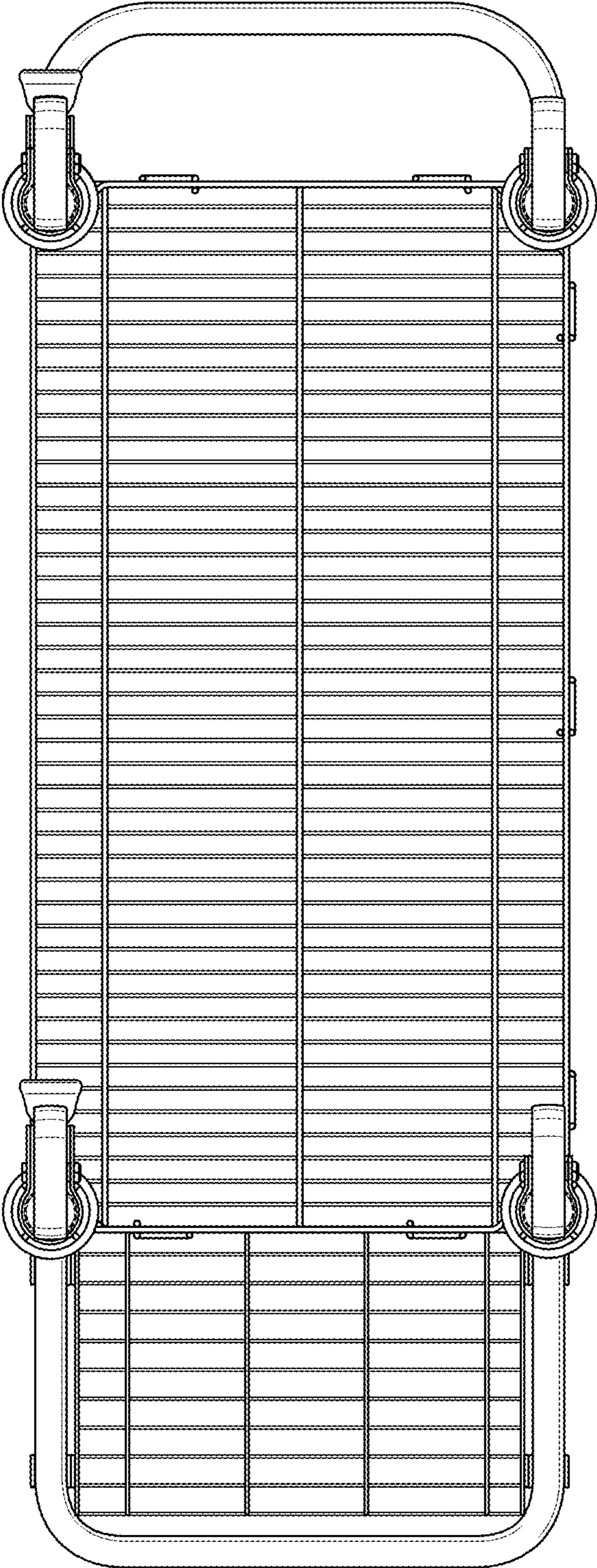


**FIG. 5**

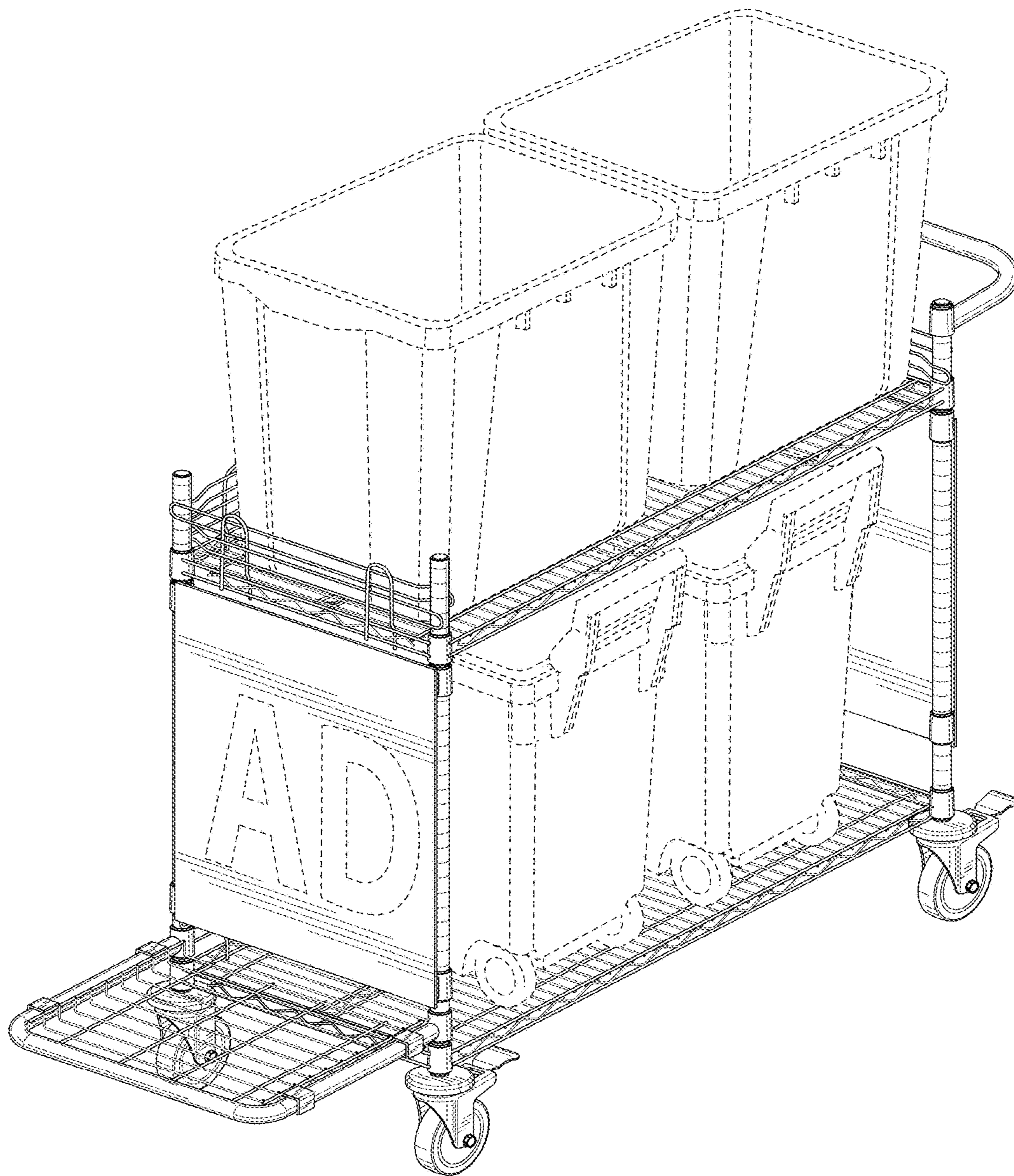


**FIG. 6**





**FIG. 7**



**FIG. 8**