



US00D776388S

(12) **United States Design Patent**  
**Hernandez et al.**

(10) **Patent No.:** **US D776,388 S**  
(45) **Date of Patent:** **\*\* Jan. 10, 2017**

(54) **COLLAPSIBLE IRONING BOARD LEG STRUCTURE**

(71) Applicant: **Home Products International—North America, Inc.**, Chicago, IL (US)

(72) Inventors: **Rolando Hernandez**, Oak Lawn, IL (US); **Gabriel Prero**, Chicago, IL (US); **Abigail Irzyk**, Chicago, IL (US)

(73) Assignee: **HOME PRODUCTS INTERNATIONAL—NORTH AMERICA, INC.**, Chicago, IL (US)

(\*\*) Term: **14 Years**

(21) Appl. No.: **29/519,510**

(22) Filed: **Mar. 5, 2015**

(51) **LOC (10) Cl.** ..... **07-05**

(52) **U.S. Cl.**  
USPC ..... **D32/66**

(58) **Field of Classification Search**  
USPC ..... D6/353, 392, 406.1, 618, 641, 685;  
D24/183; D32/9, 66  
CPC ..... D06F 81/04; D06F 81/00; D06F 83/00;  
H02G 11/00  
See application file for complete search history.

(56) **References Cited**

**U.S. PATENT DOCUMENTS**

- 2,663,101 A \* 12/1953 Olander ..... D06F 81/04  
108/117
- D175,939 S \* 11/1955 Gettelman ..... 38/DIG. 2
- 2,908,984 A \* 10/1959 Lantz ..... D06F 81/04  
108/117
- 2,923,077 A \* 2/1960 Tipping ..... D06F 81/04  
248/51
- 2,994,144 A 8/1961 Pavlo
- 3,064,374 A \* 11/1962 Dwinell ..... D06F 83/00  
38/140

3,473,767 A \* 10/1969 Schwaneke ..... H02G 11/003  
108/28

- 3,736,679 A 6/1973 Cabezas
- D373,869 S \* 9/1996 Stutzer ..... D32/66
- D392,741 S \* 3/1998 Blanchard ..... D24/183
- D426,040 S \* 5/2000 Wicky ..... D32/66
- D427,402 S \* 6/2000 Kellogg ..... D32/66

(Continued)

**FOREIGN PATENT DOCUMENTS**

- JP H07136399 A 5/1995
- JP H0731000 6/1995

(Continued)

*Primary Examiner* — Michael A. Pratt

*Assistant Examiner* — Michelle E Wilson

(74) *Attorney, Agent, or Firm* — Neal, Gerber & Eisenberg, LLP

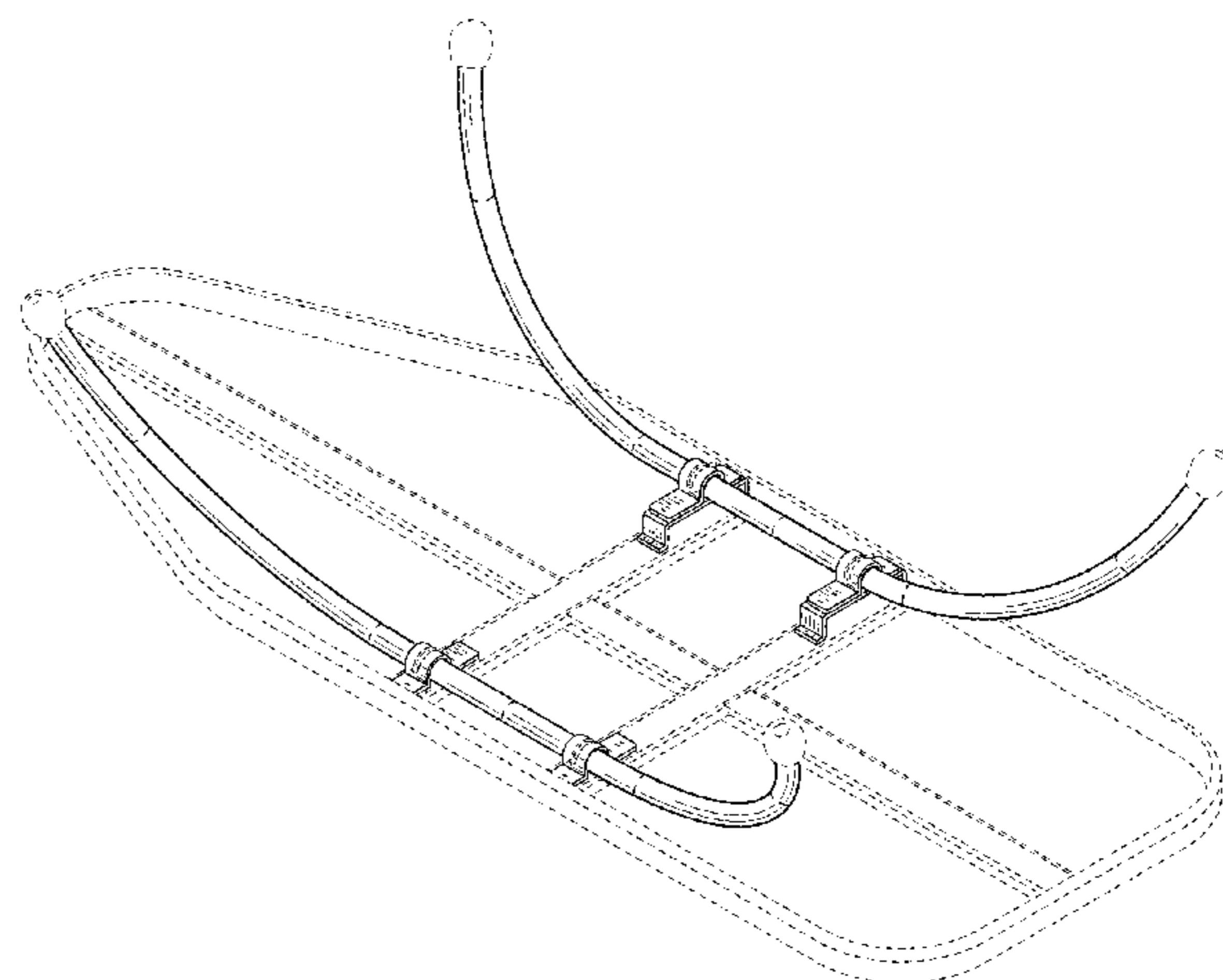
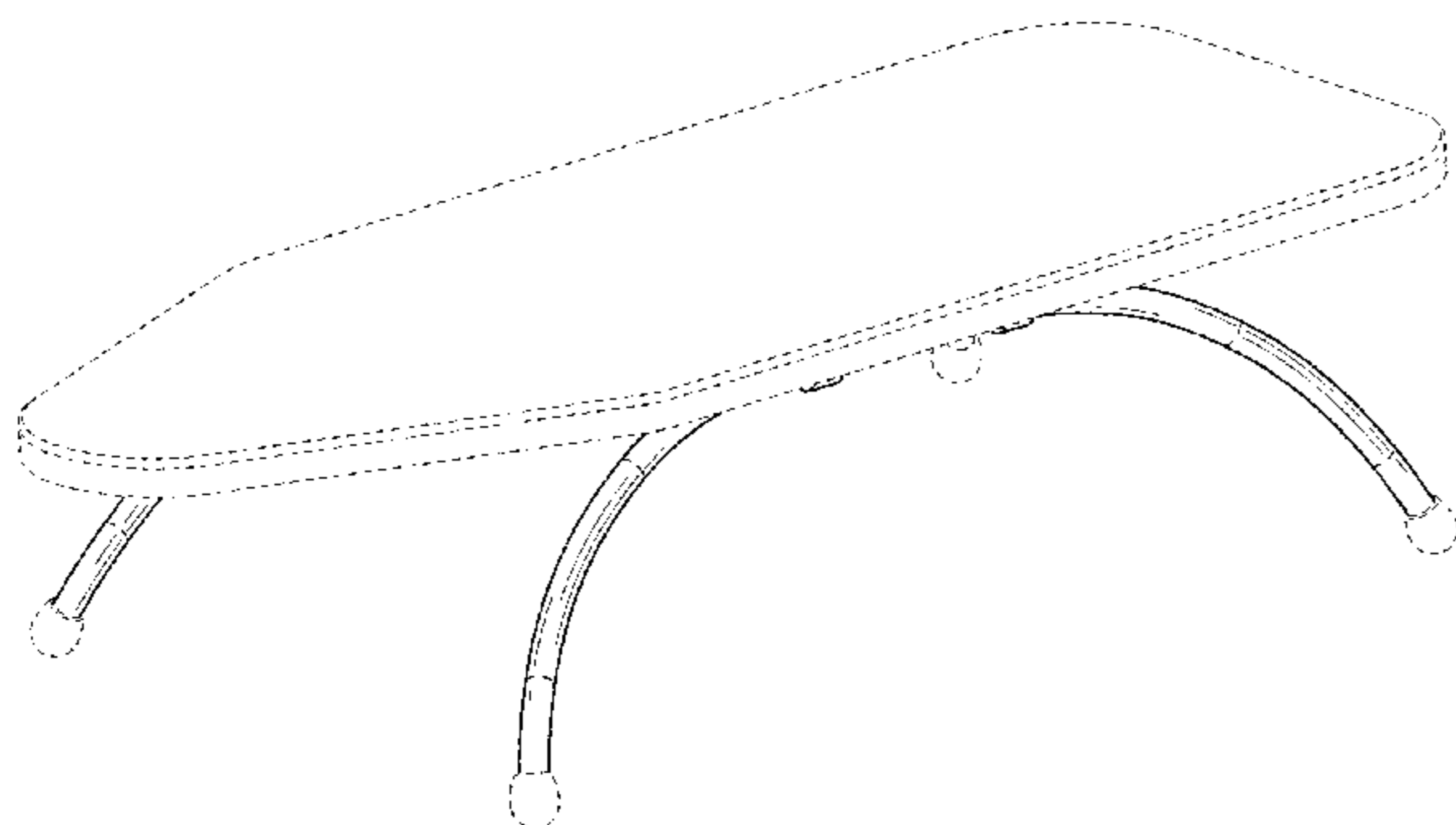
(57) **CLAIM**

The ornamental design for a collapsible ironing board leg structure, as shown and described.

**DESCRIPTION**

FIG. 1 is a top perspective view of the collapsible ironing board leg structure of the present invention; FIG. 2 is a front elevational view thereof; FIG. 3 is a rear elevational view, opposite the front devotional view thereof; FIG. 4 is a side elevational view thereof; FIG. 5 is a top plan view thereof; FIG. 6 is a bottom plan view thereof; FIG. 7 is a bottom perspective view thereof; and, FIG. 8 is a cross-sectional view of the collapsible ironing board leg structure shown in FIG. 6. The broken lines in the drawings illustrate the portions of the design that form no part of the claim.

**1 Claim, 5 Drawing Sheets**



(56)

**References Cited**

U.S. PATENT DOCUMENTS

D452,596 S \* 12/2001 de Wit ..... D32/66  
6,327,800 B1 \* 12/2001 Daams ..... D06F 81/10  
38/137  
6,349,490 B1 \* 2/2002 Gross ..... D06F 83/00  
38/137  
D520,207 S \* 5/2006 Gross ..... D32/66

FOREIGN PATENT DOCUMENTS

JP H0947327 A 2/1997  
JP H1052600 A 2/1998  
JP H11114300 A 4/1999  
JP 2005329038 A 12/2005

\* cited by examiner

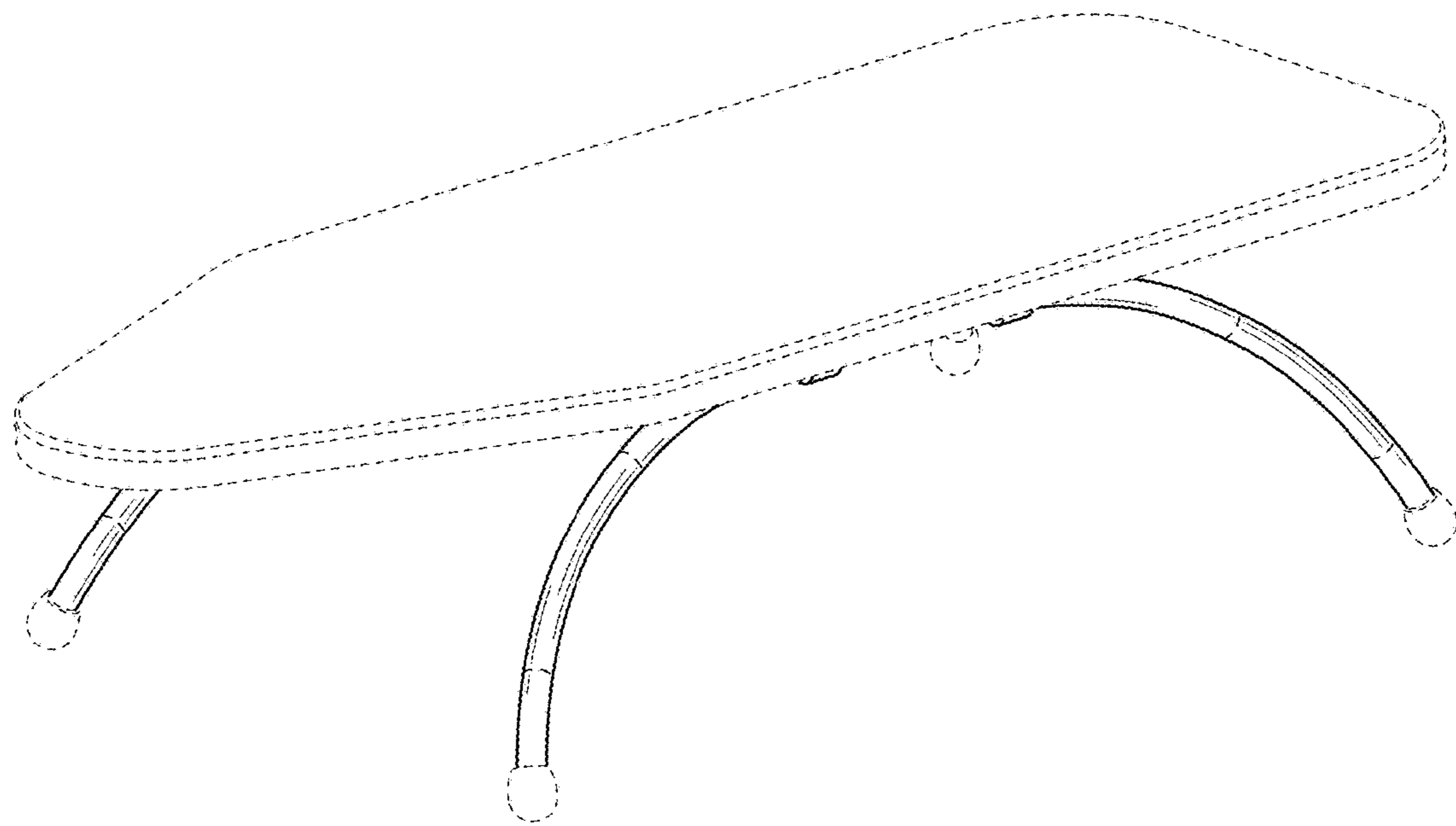


FIG. 1

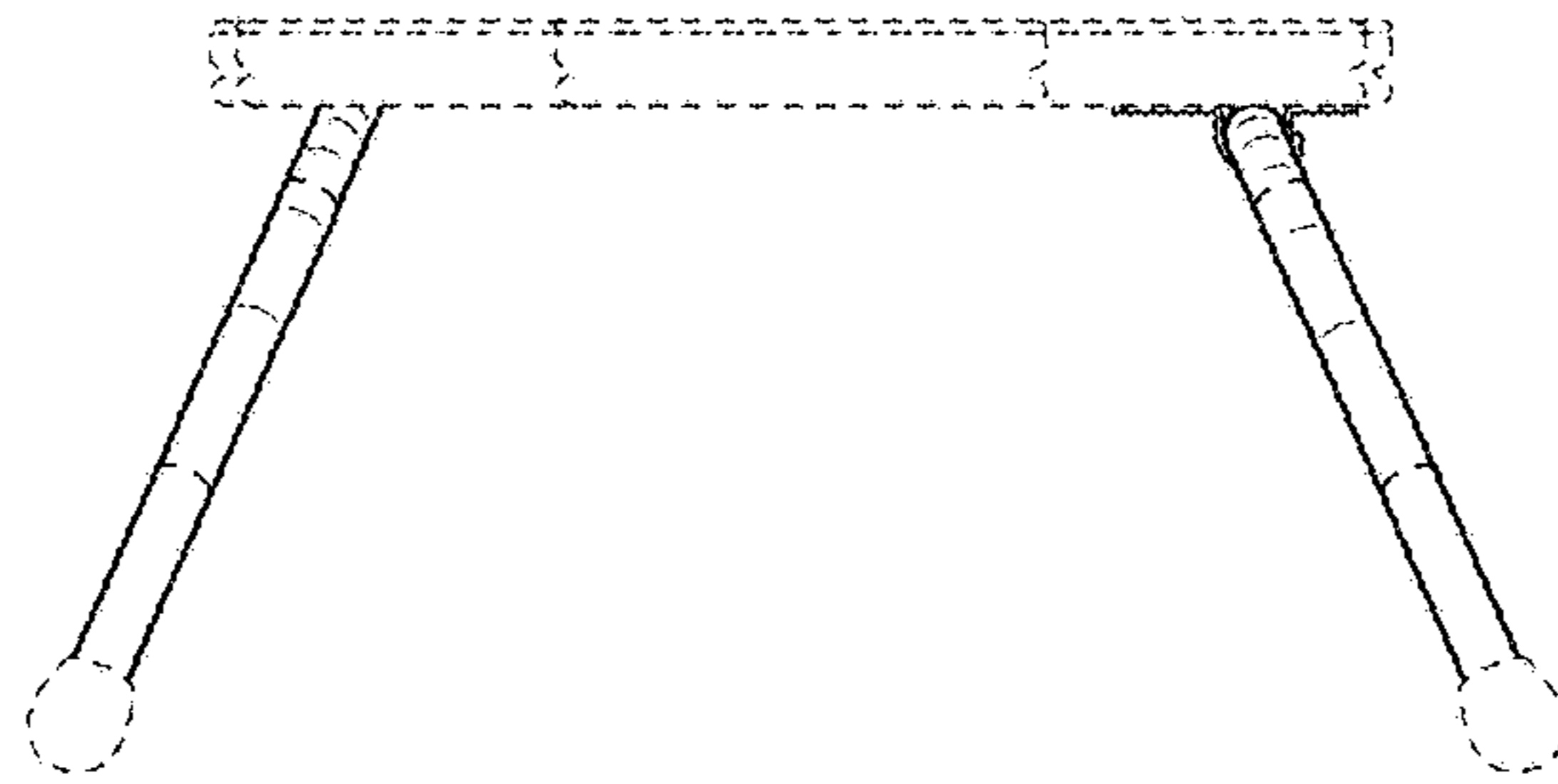


FIG. 2

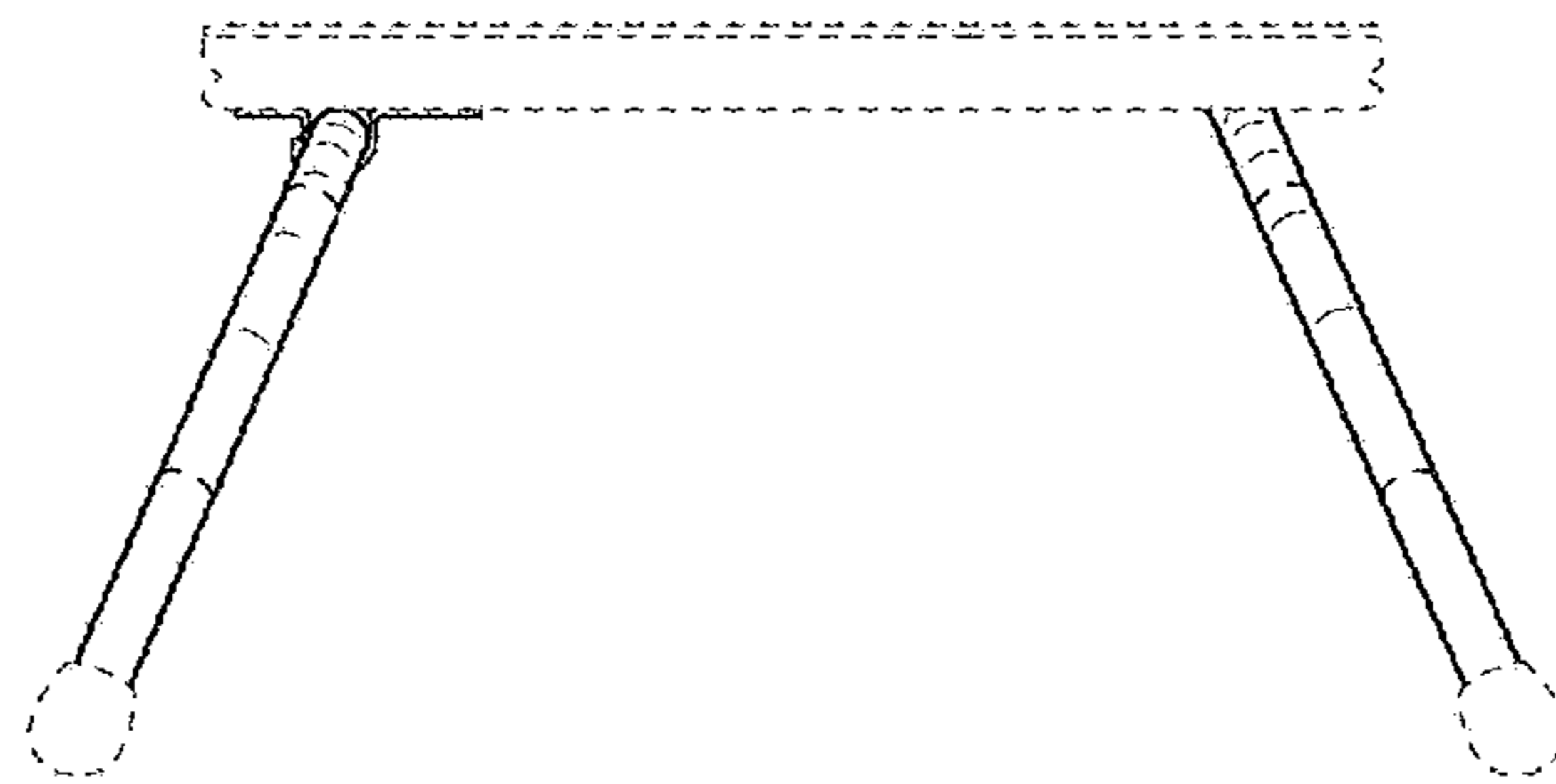


FIG. 3

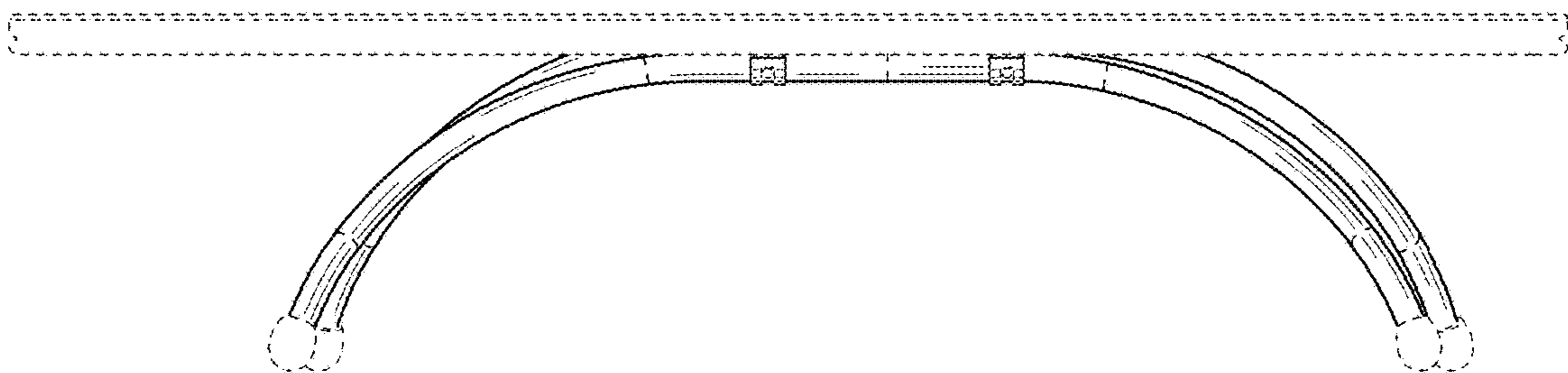


FIG. 4

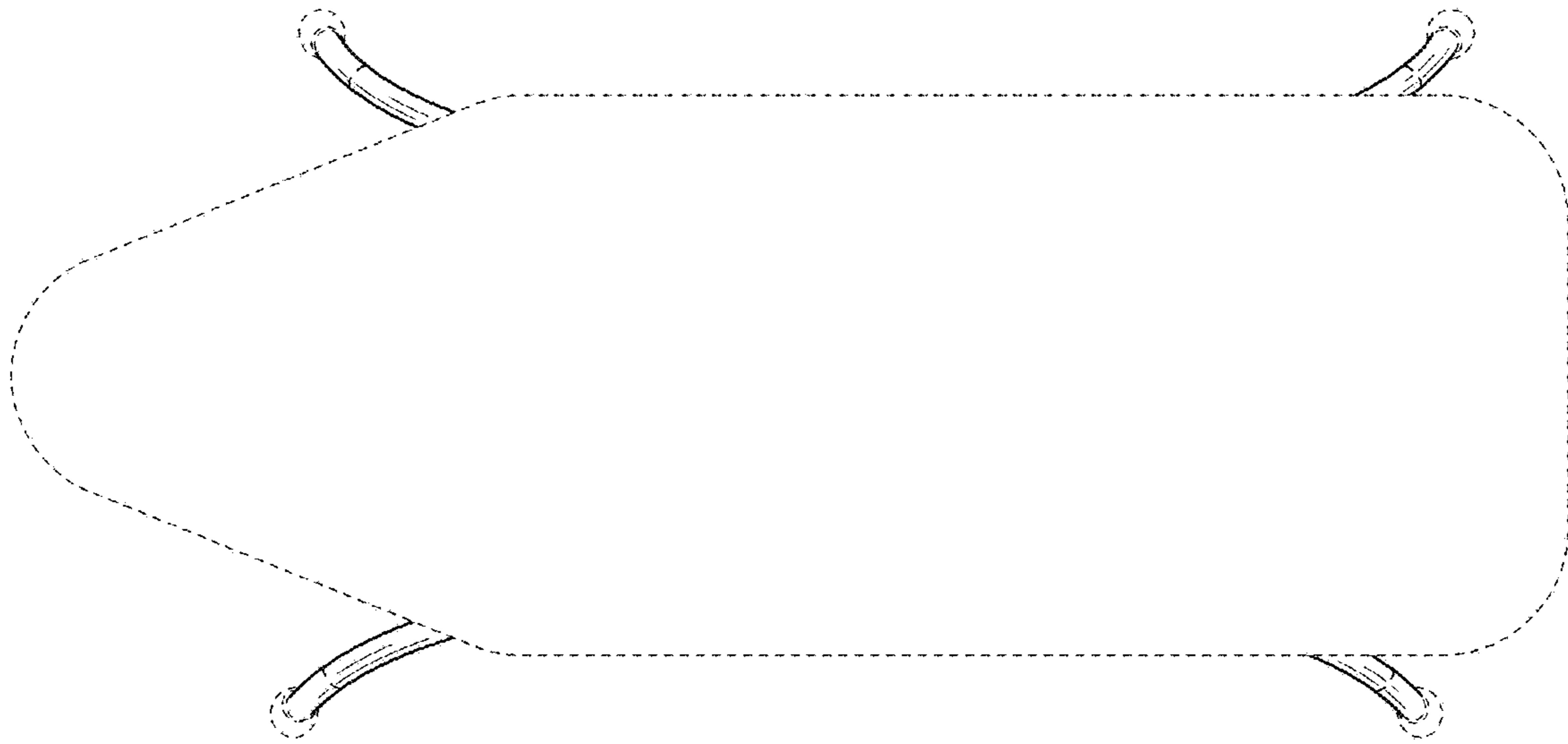


FIG. 5

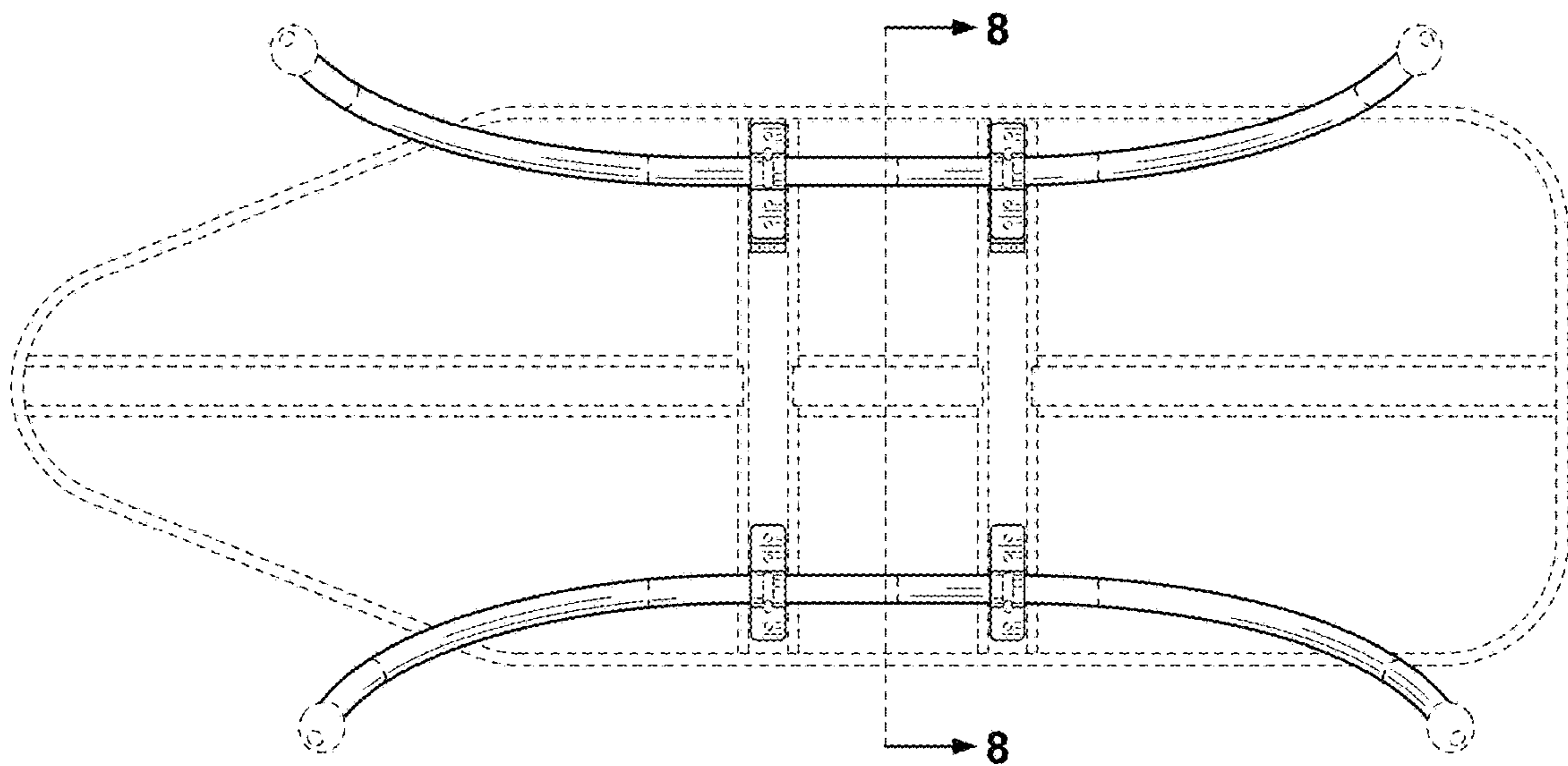


FIG. 6

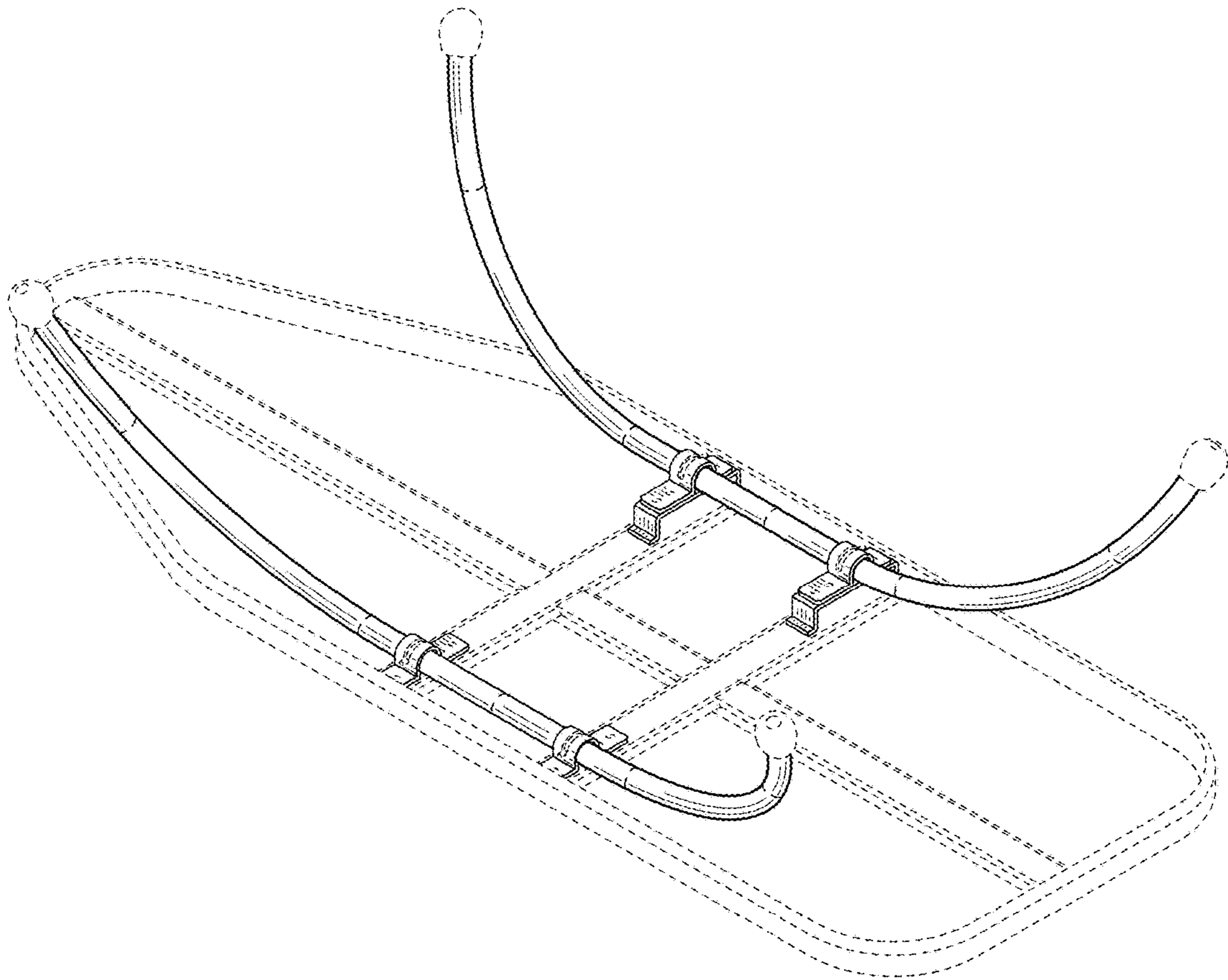


FIG. 7

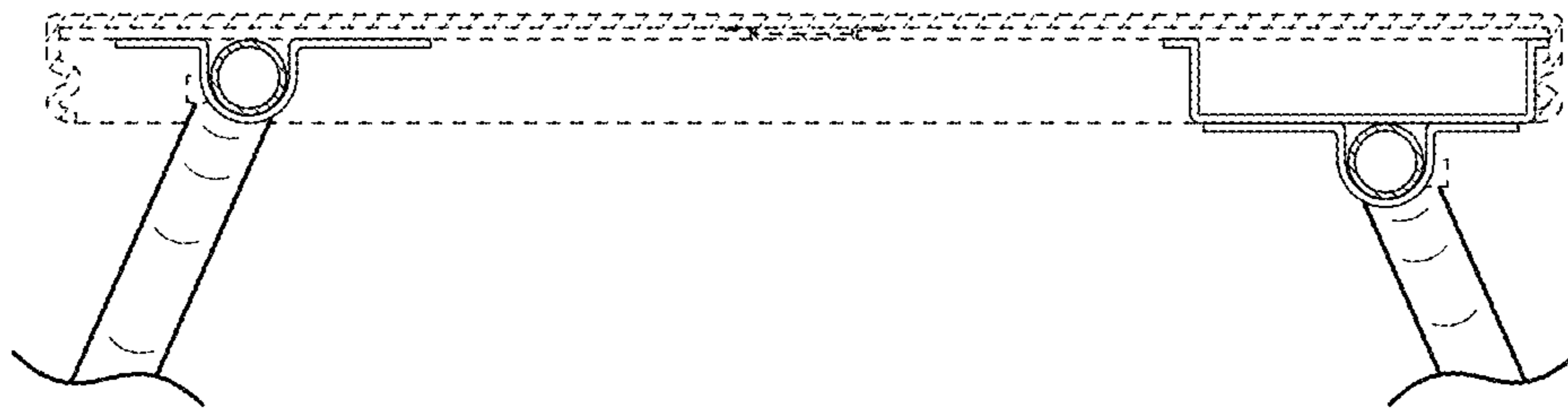


FIG. 8