



US00D776387S

(12) **United States Design Patent**
Chen

(10) **Patent No.:** **US D776,387 S**

(45) **Date of Patent:** **** Jan. 10, 2017**

(54) **DISH RACK**

(71) Applicant: **Yizhi Chen**, Guangzhou (CN)

(72) Inventor: **Yizhi Chen**, Guangzhou (CN)

(**) Term: **15 Years**

(21) Appl. No.: **29/541,473**

(22) Filed: **Oct. 5, 2015**

(30) **Foreign Application Priority Data**

Apr. 21, 2015 (CN) 2015 3 0107984

(51) **LOC (10) Cl.** **07-05**

(52) **U.S. Cl.**
USPC **D32/56**

(58) **Field of Classification Search**

USPC D32/55, 276, 3; D6/510, 525; D30/133;
211/41.5, 41.4, 41.3, 41.8; 361/679.4;
312/311, 333, 334.4; D7/354, 629

CPC A47J 47/20; A47J 2201/00; A47J 47/00;
B65D 35/02; B65D 35/22; B65D 35/56

See application file for complete search history.

(56) **References Cited**

U.S. PATENT DOCUMENTS

D337,186 S * 7/1993 Drach D32/56
D344,828 S * 3/1994 Adams D32/56

D446,370 S * 8/2001 Avila Adikimenakis D32/56
D595,466 S * 6/2009 Sofy D32/56
D690,069 S * 9/2013 Sofy D32/55
D699,413 S * 2/2014 Huang D32/55
D720,109 S * 12/2014 Huang D32/55
D734,581 S * 7/2015 Eby D32/56
D755,459 S * 5/2016 Erby D32/56

* cited by examiner

Primary Examiner — Austin Murphy

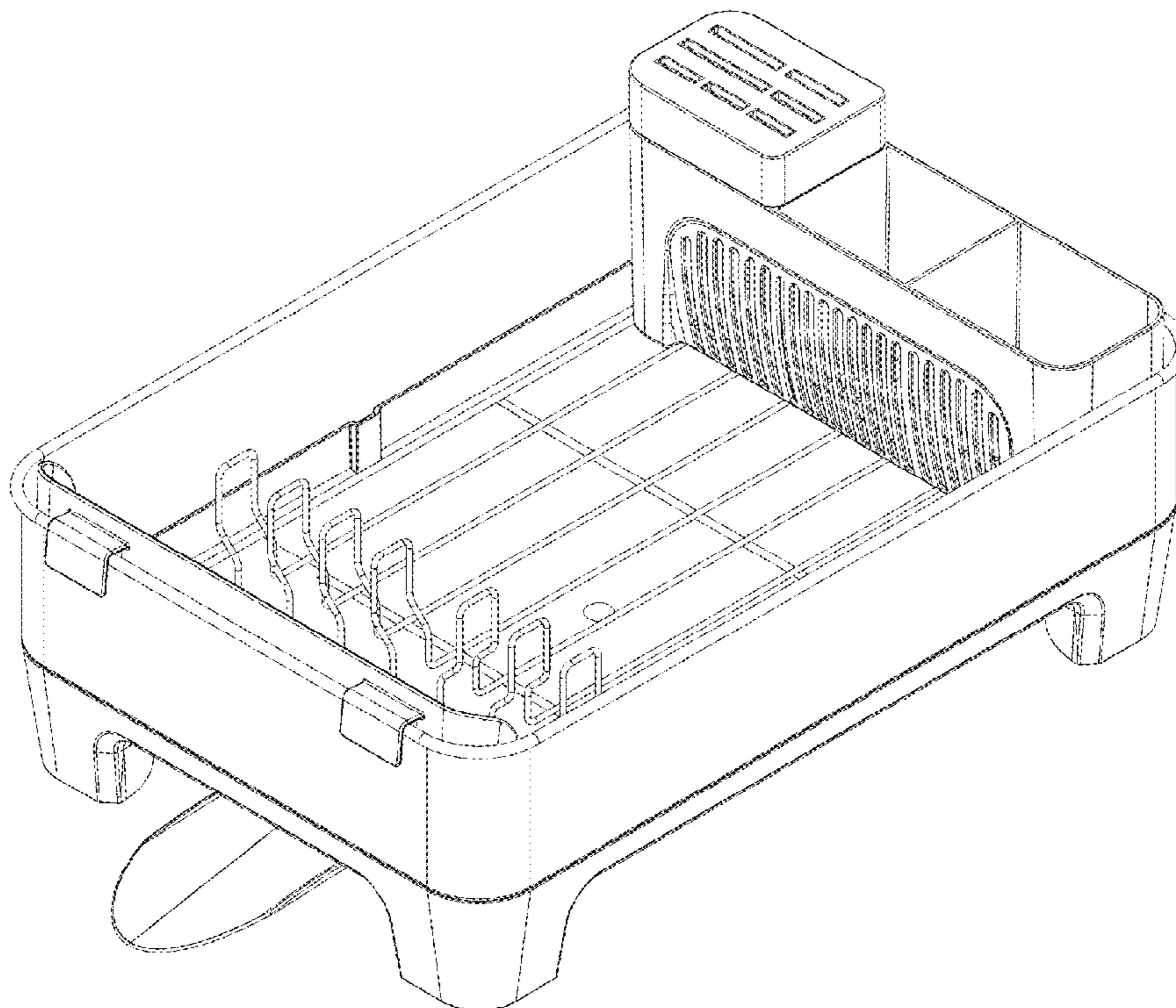
(57) **CLAIM**

The ornamental design for a dish rack, as shown.

DESCRIPTION

FIG. 1 is a front elevational view of a dish rack showing my new design;
FIG. 2 is a rear elevational view thereof;
FIG. 3 is a left side view thereof;
FIG. 4 is a right side view thereof;
FIG. 5 is a top plan view thereof;
FIG. 6 is a bottom plan view thereof;
FIG. 7 is a perspective view thereof;
FIG. 8 is a second perspective view thereof; and,
FIG. 9 is a third perspective view thereof.

1 Claim, 6 Drawing Sheets



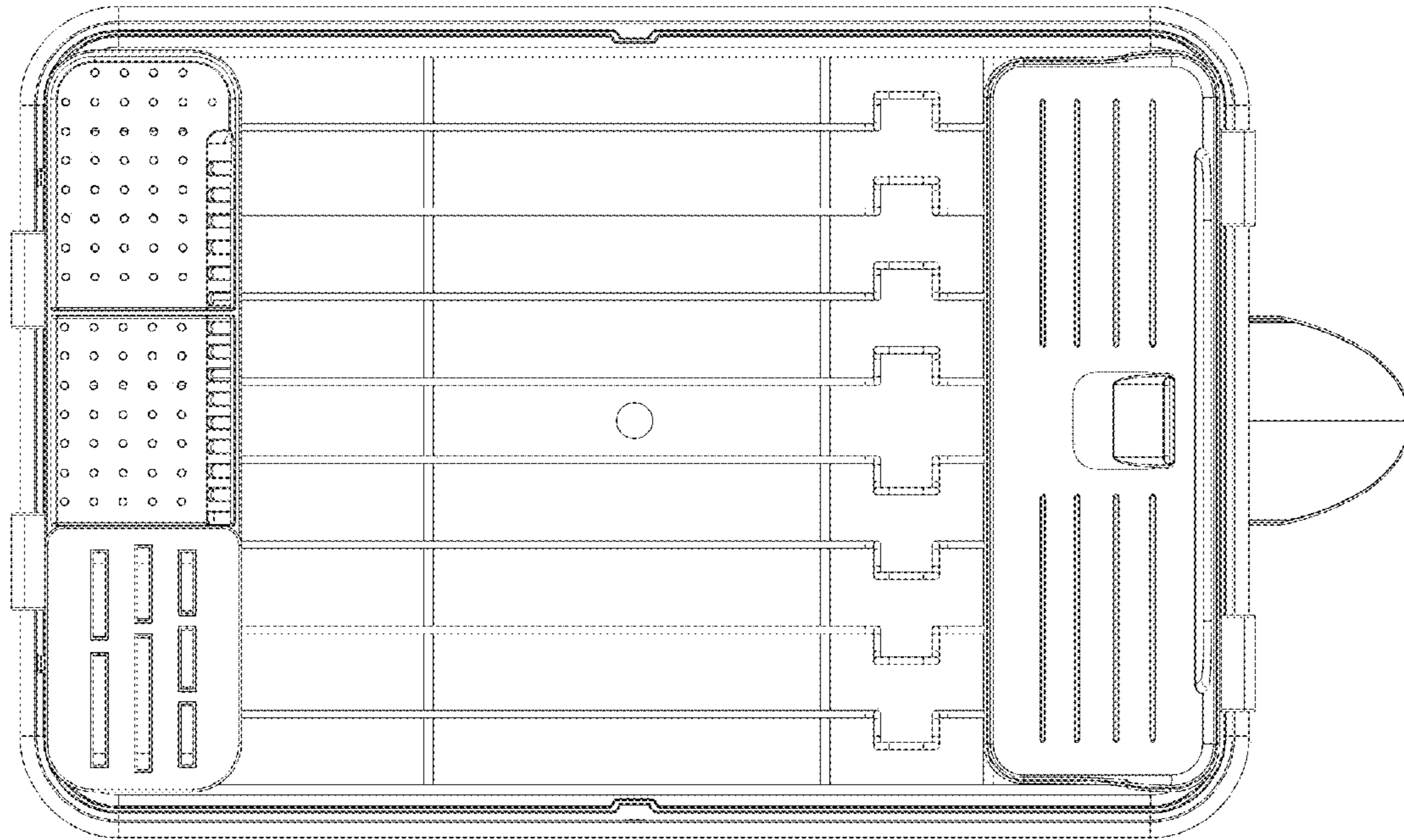


FIG. 1

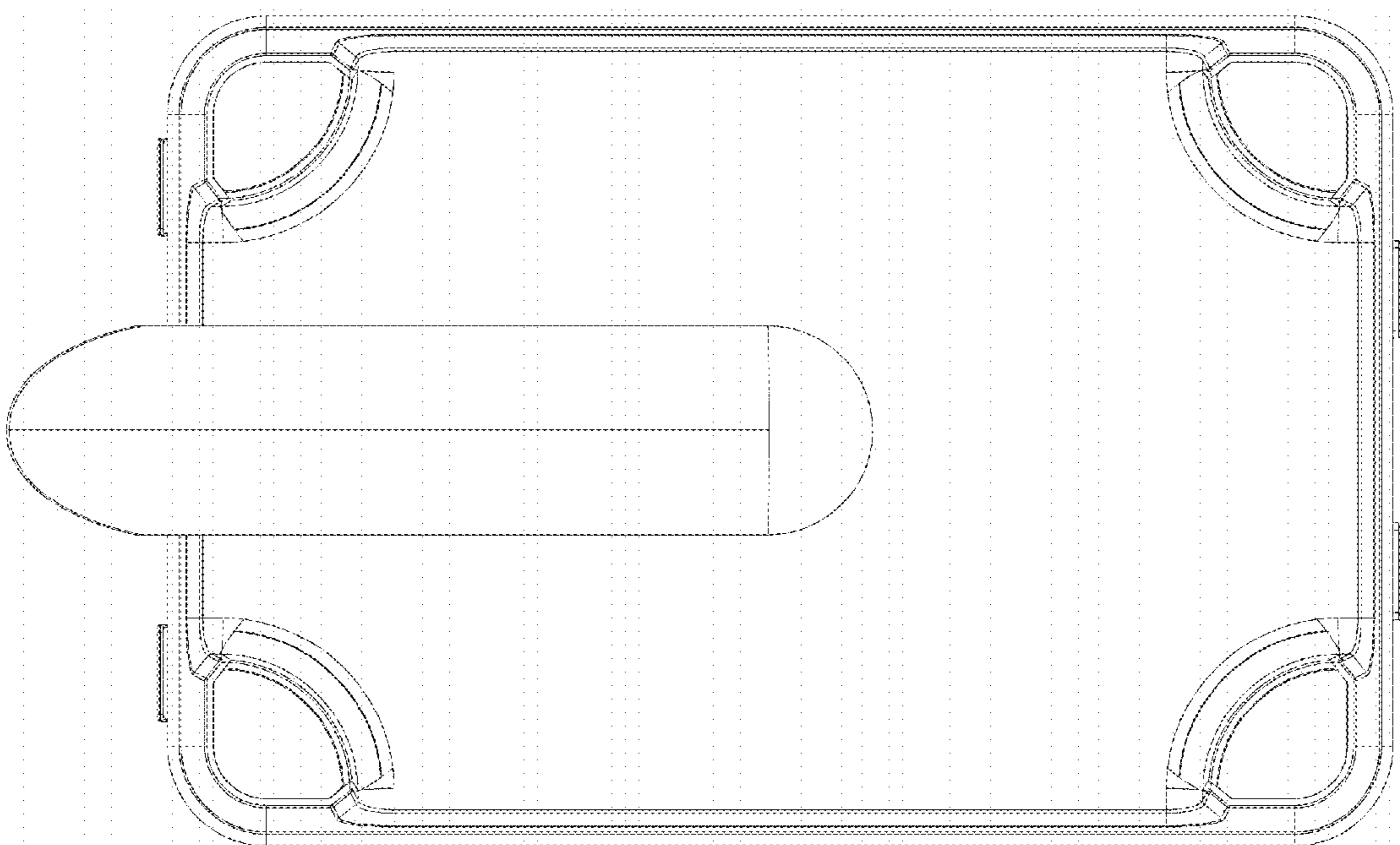


FIG. 2

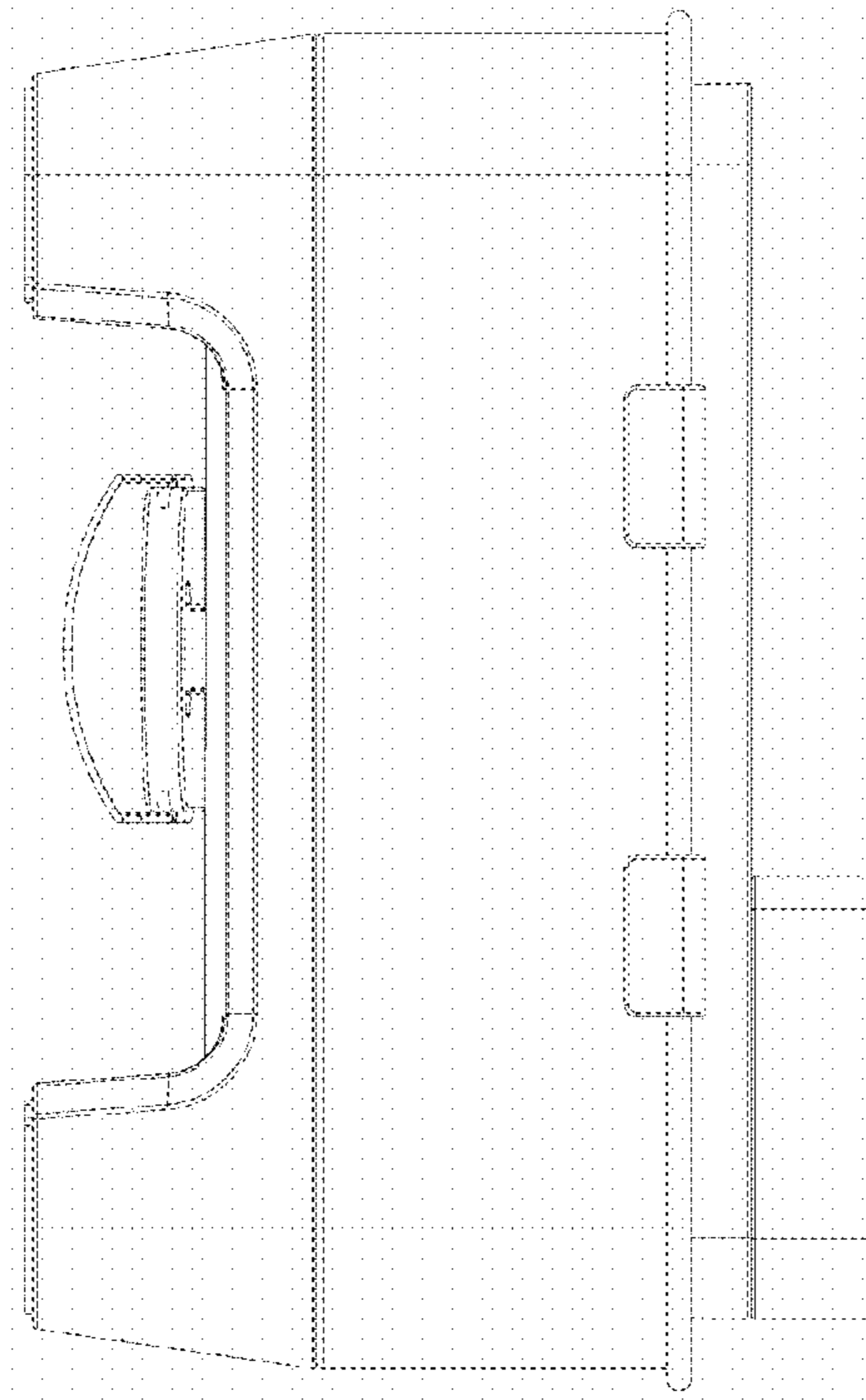


FIG. 3

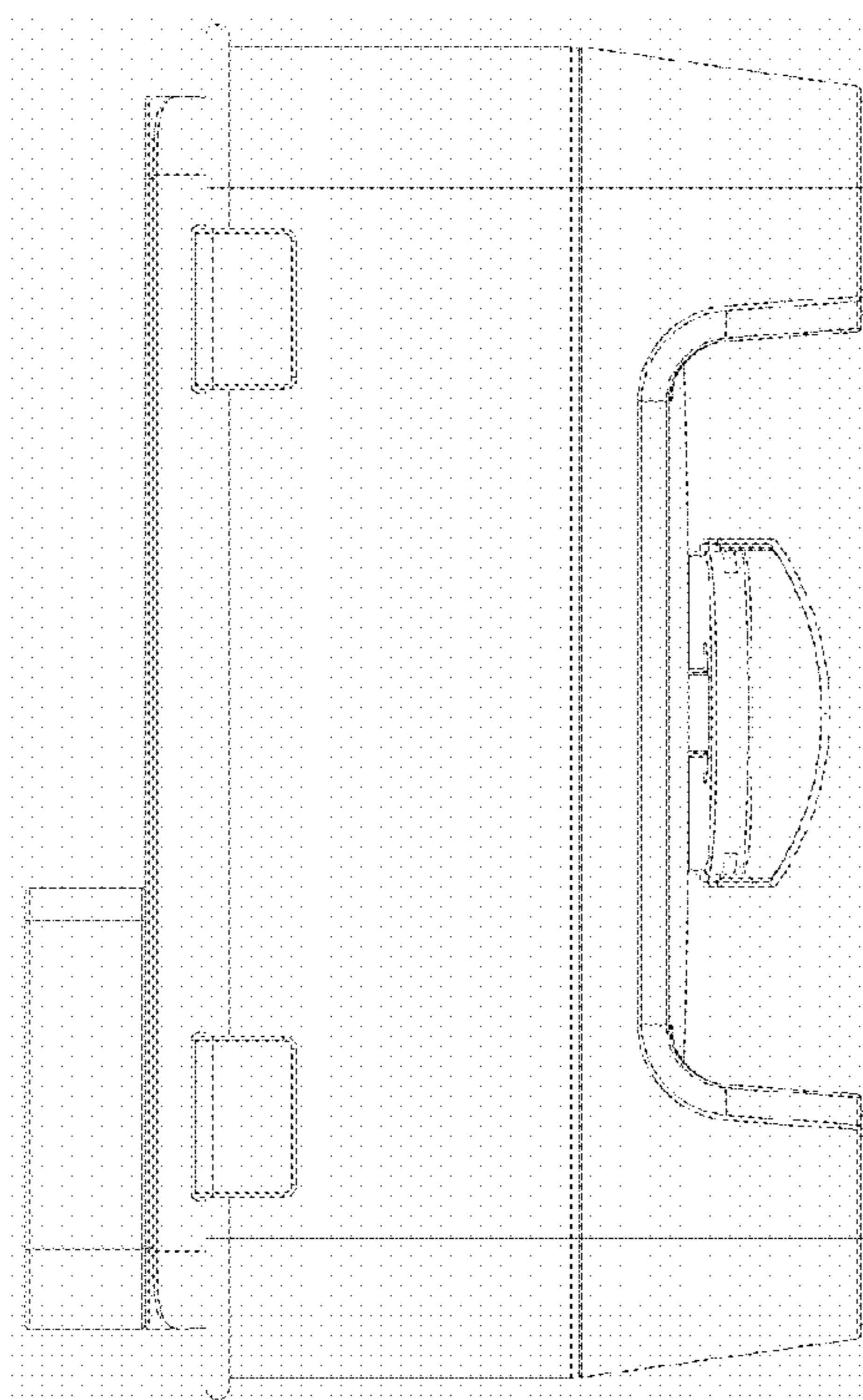


FIG. 4

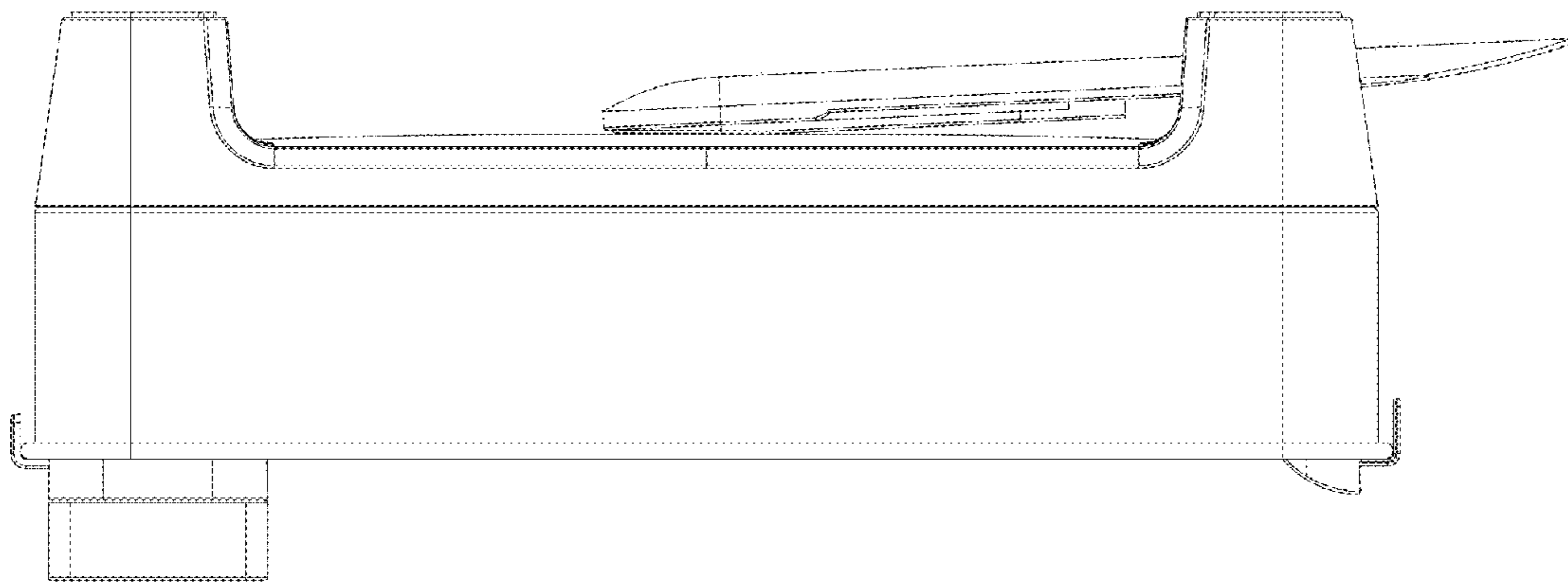


FIG. 5

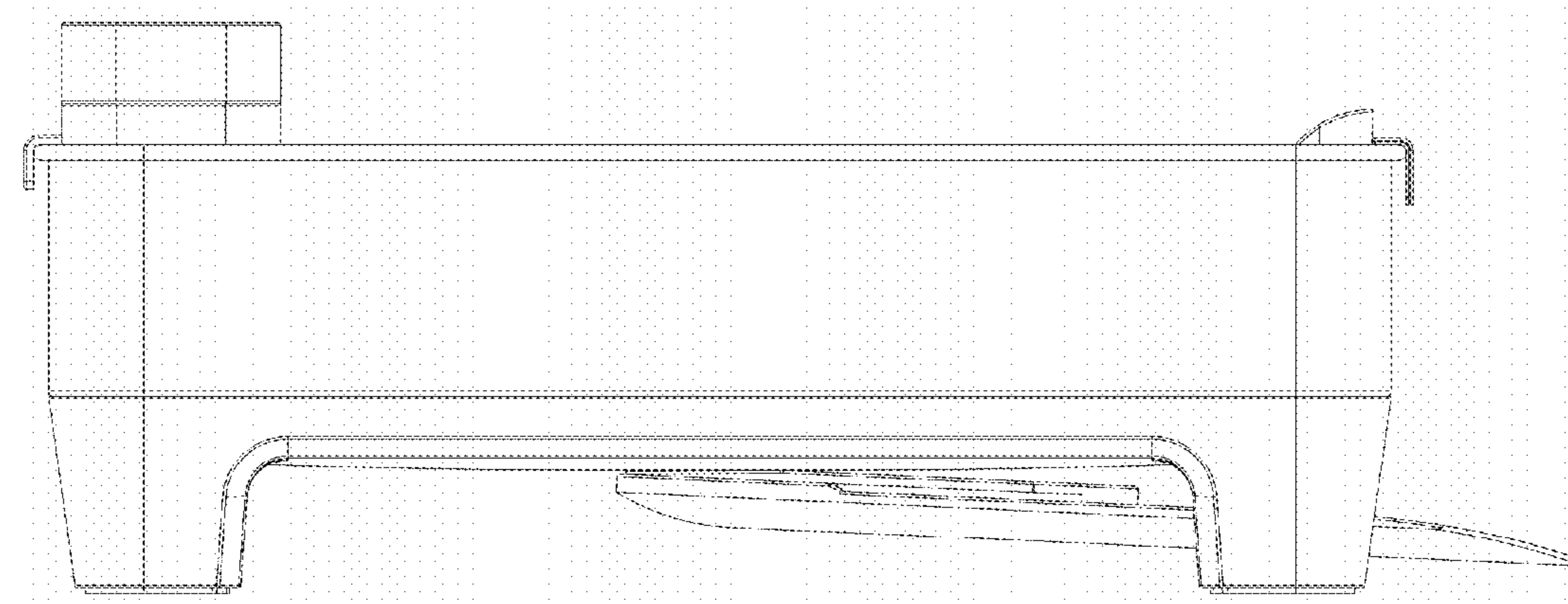


FIG. 6

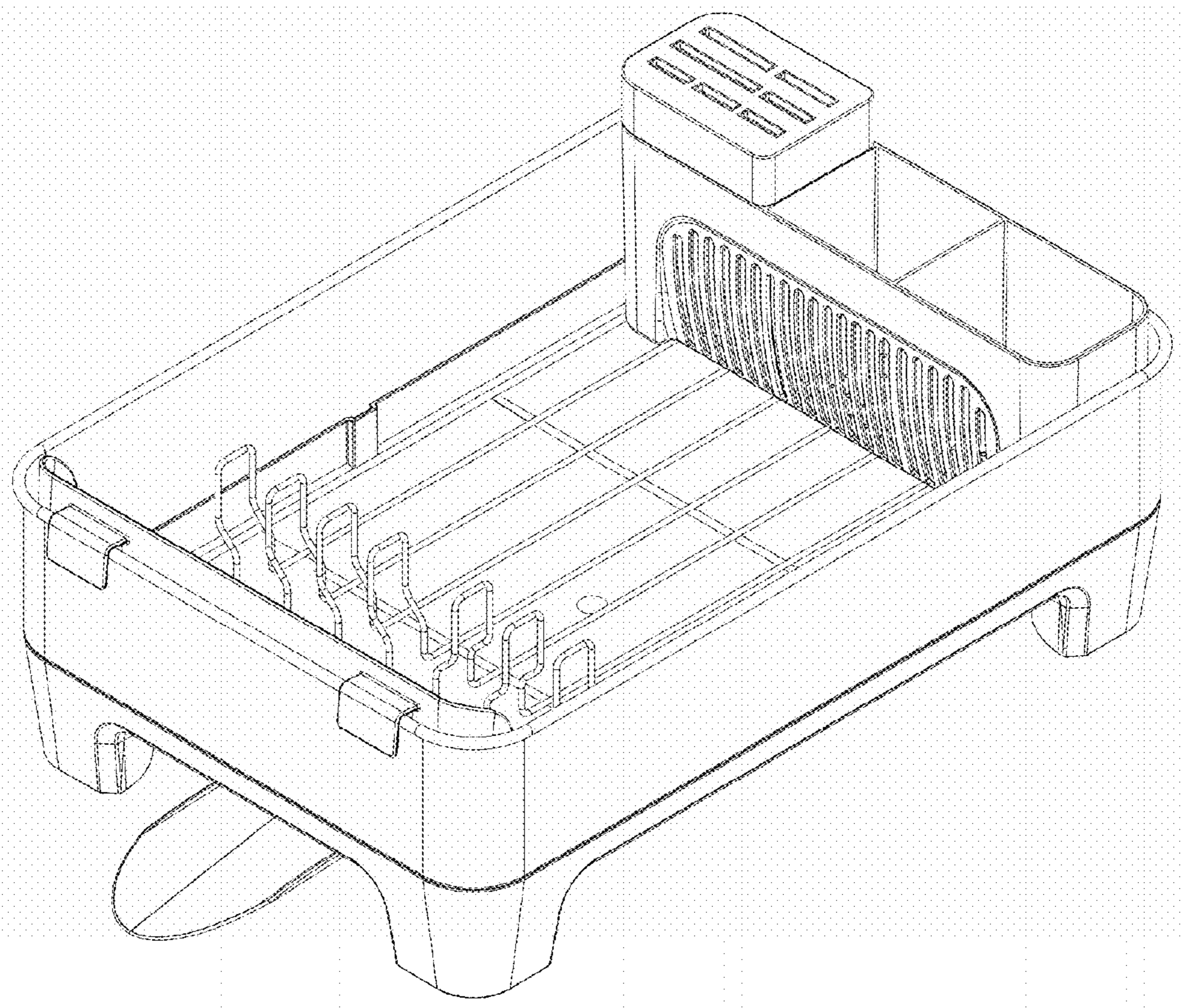


FIG. 7

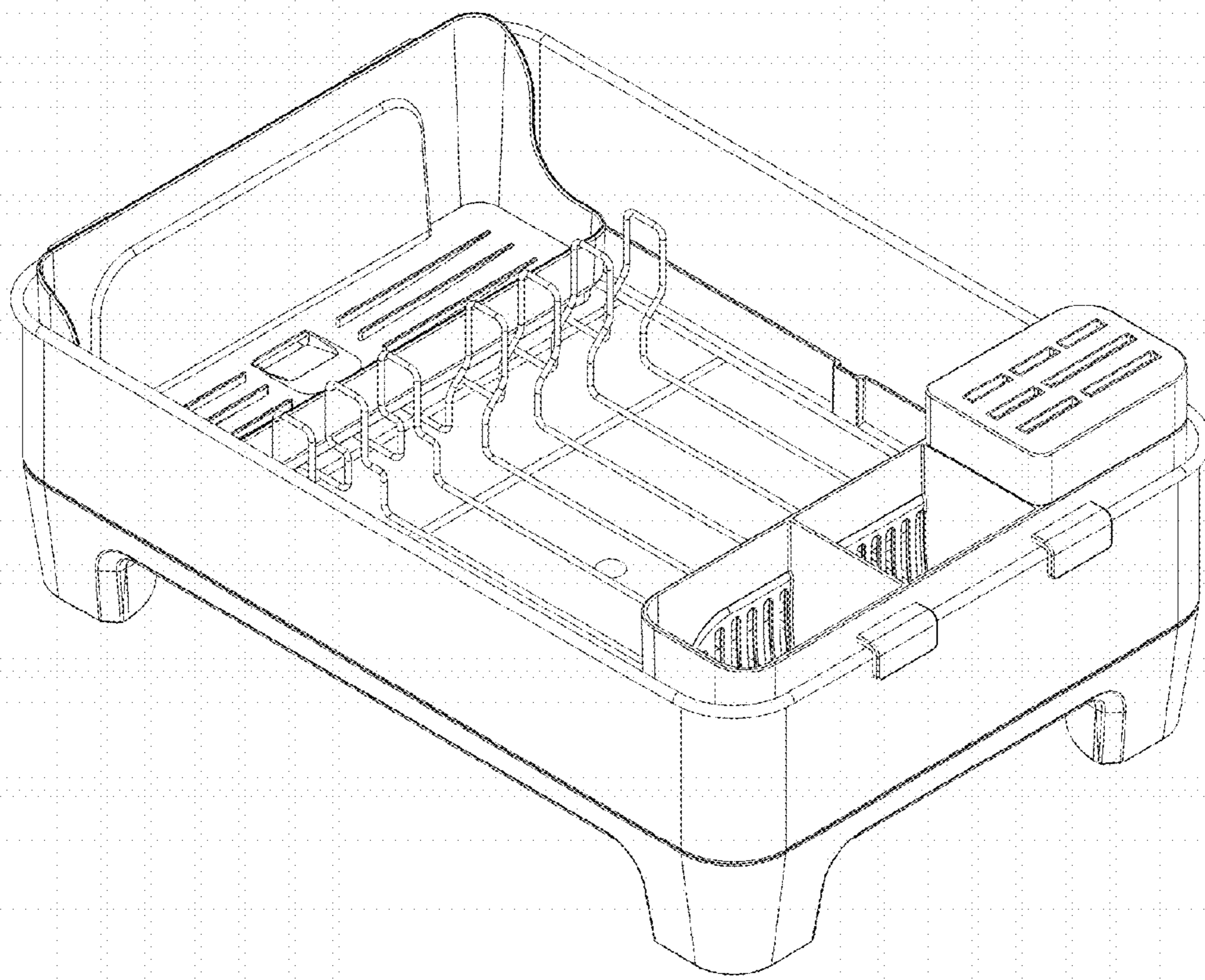


FIG. 8

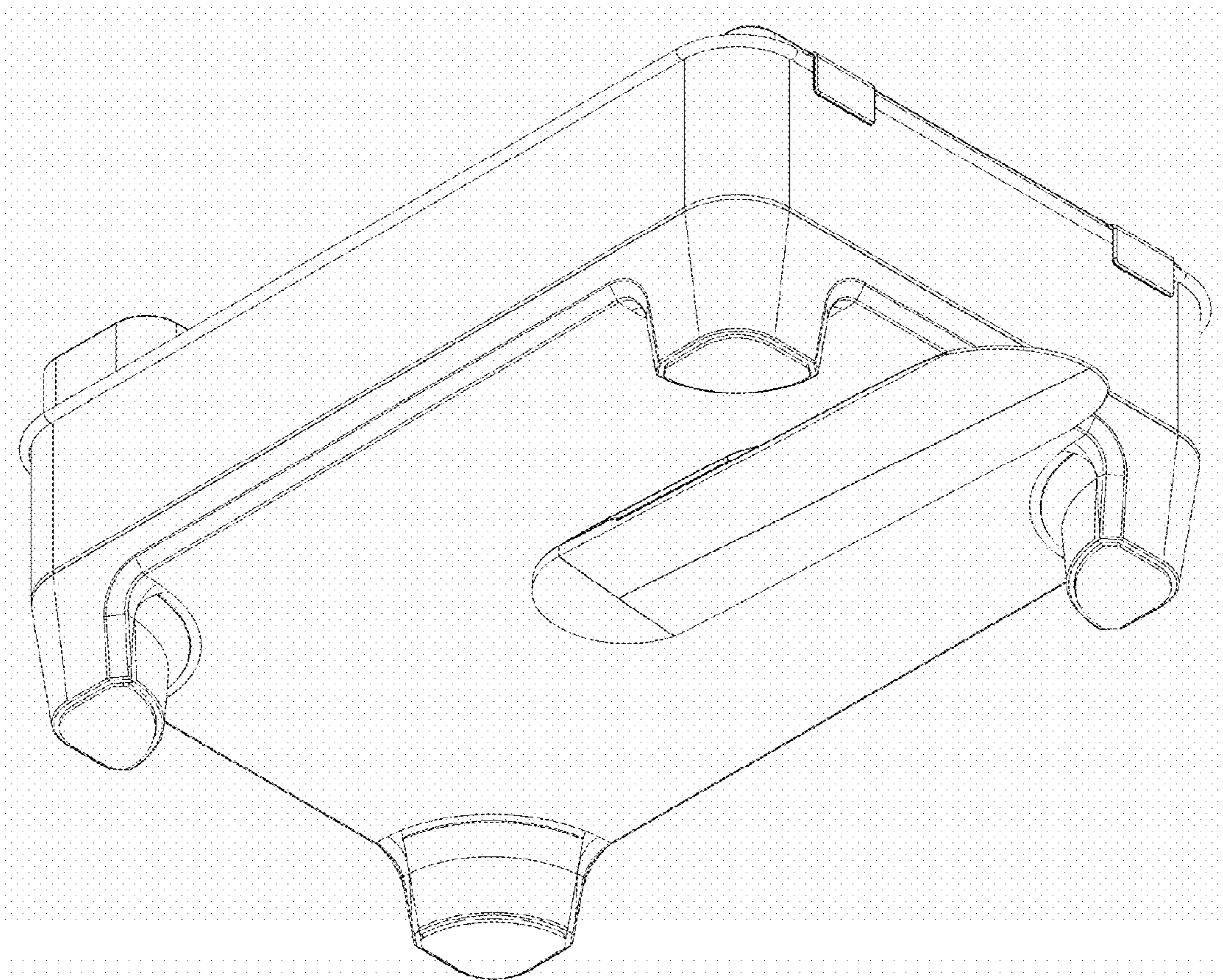


FIG. 9