



US00D776385S

(12) **United States Design Patent**  
**Evans et al.**

(10) **Patent No.:** **US D776,385 S**  
(45) **Date of Patent:** **\*\* Jan. 10, 2017**

(54) **DRYING RACK**

(71) Applicant: **Joseph Joseph Ltd.**, London (GB)

(72) Inventors: **David Evans**, Great Abington (GB);  
**Ashley May**, Great Abington (GB)

(73) Assignee: **Joseph Joseph Ltd.**, London (GB)

(\*\*) Term: **14 Years**

(21) Appl. No.: **29/522,320**

(22) Filed: **Mar. 30, 2015**

(30) **Foreign Application Priority Data**

Oct. 7, 2014 (EM) ..... 002552208-0002

(51) **LOC (10) Cl.** ..... **07-05**

(52) **U.S. Cl.**  
USPC ..... **D32/55**

(58) **Field of Classification Search**  
USPC ..... D32/55, 276, 3, 58; D6/536, 553, 566,  
D6/678.4, 537; 211/41.5, 41.4, 41.3, 41.8;  
312/311, 333, 334.4; D7/629, 631  
CPC ..... A47J 47/20; A47J 2201/00; A47J 47/00;  
B65D 35/02; B65D 35/22; B65D 35/56  
See application file for complete search history.

(56) **References Cited**

**U.S. PATENT DOCUMENTS**

D647,678 S \* 10/2011 Yang ..... D32/55  
D693,081 S \* 11/2013 Yang ..... D32/55

D695,482 S \* 12/2013 Huang ..... D32/55  
D699,413 S \* 2/2014 Huang ..... D32/55  
D706,009 S \* 5/2014 Cooper ..... D32/55  
D706,510 S \* 6/2014 Lerner ..... D32/55  
D720,109 S \* 12/2014 Huang ..... D32/55  
D723,759 S \* 3/2015 Evans ..... D32/55  
D732,256 S \* 6/2015 Huang ..... D32/55  
D736,488 S \* 8/2015 Le ..... D32/55  
D747,058 S \* 1/2016 Eilmus ..... D32/55  
D750,337 S \* 2/2016 Duvigneau ..... D32/55

\* cited by examiner

*Primary Examiner* — Austin Murphy

(74) *Attorney, Agent, or Firm* — Millen White Zelano & Branigan, P.C.

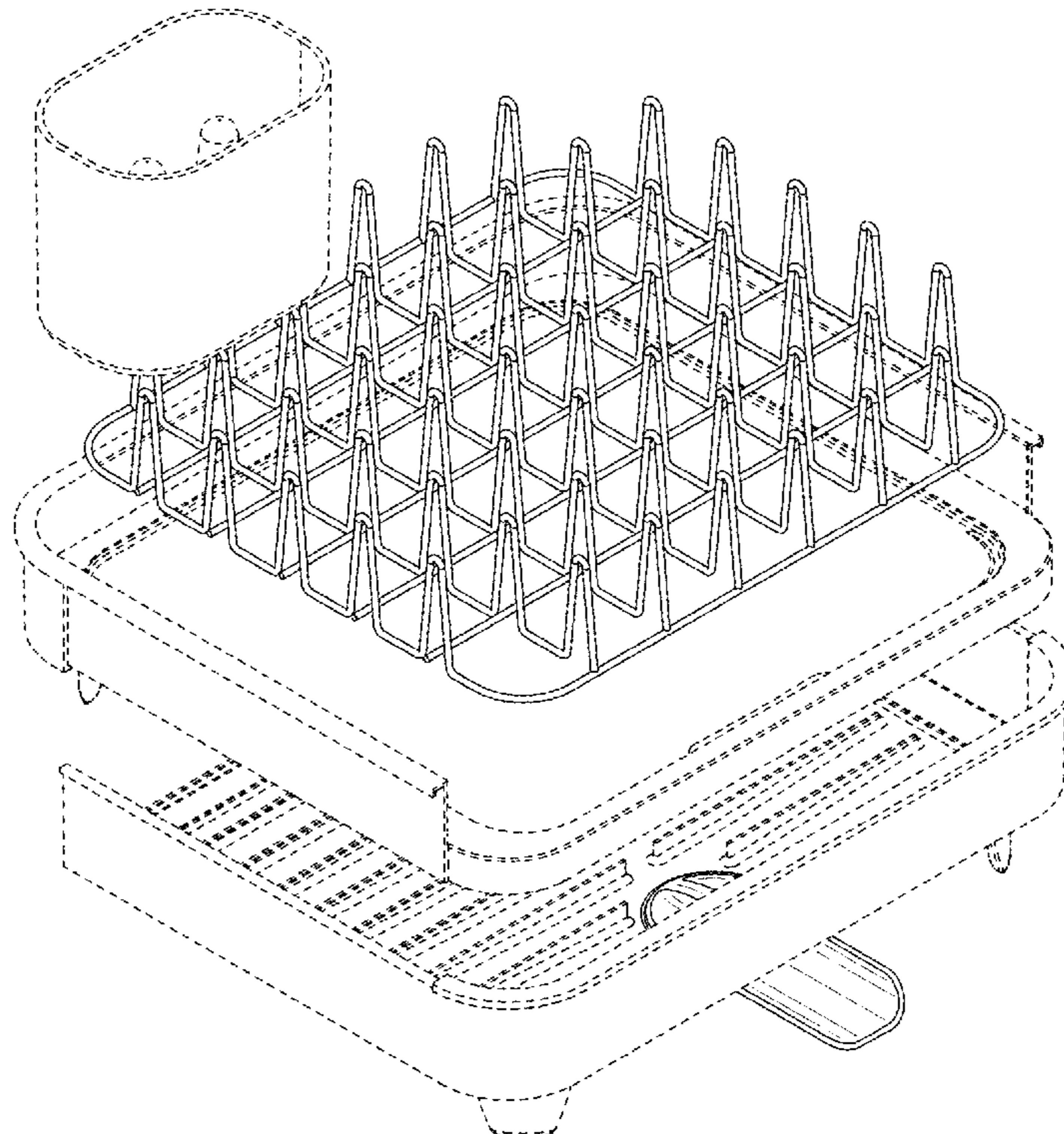
(57) **CLAIM**

The ornamental design for an drying rack, as shown and described.

**DESCRIPTION**

FIG. 1 is a top perspective view of the drying rack showing my new design.  
FIG. 2 is a side view thereof.  
FIG. 3 is another side view thereof.  
FIG. 4 is another side view thereof.  
FIG. 5 is another side view thereof.  
FIG. 6 is a top view thereof.  
FIG. 7 is a bottom view thereof.  
FIG. 8 is a bottom perspective view thereof; and,  
FIG. 9 is an exploded stacked perspective view thereof.  
The broken lines showing other parts of the drying rack form no part of the claimed design.

**1 Claim, 9 Drawing Sheets**



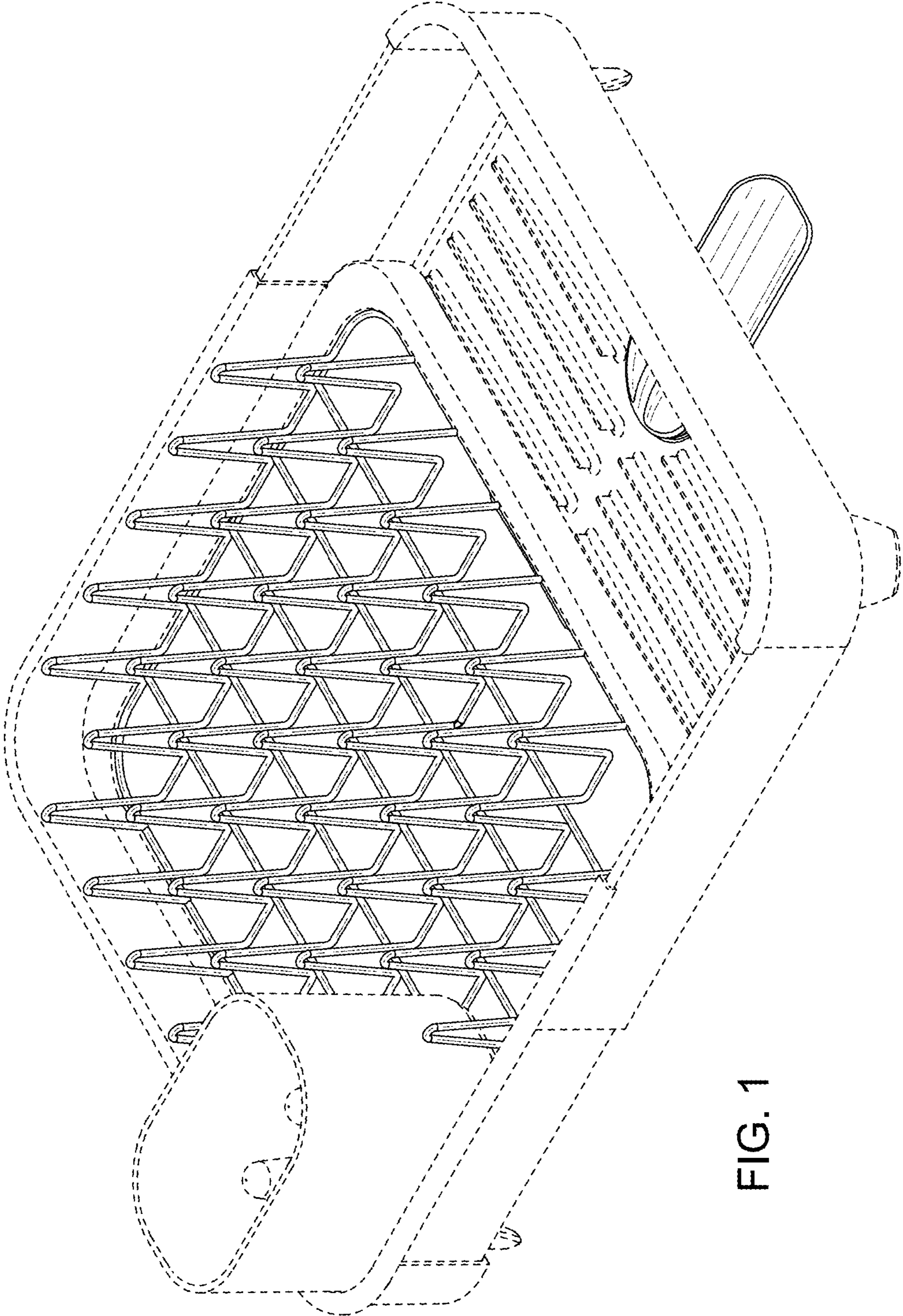


FIG. 1

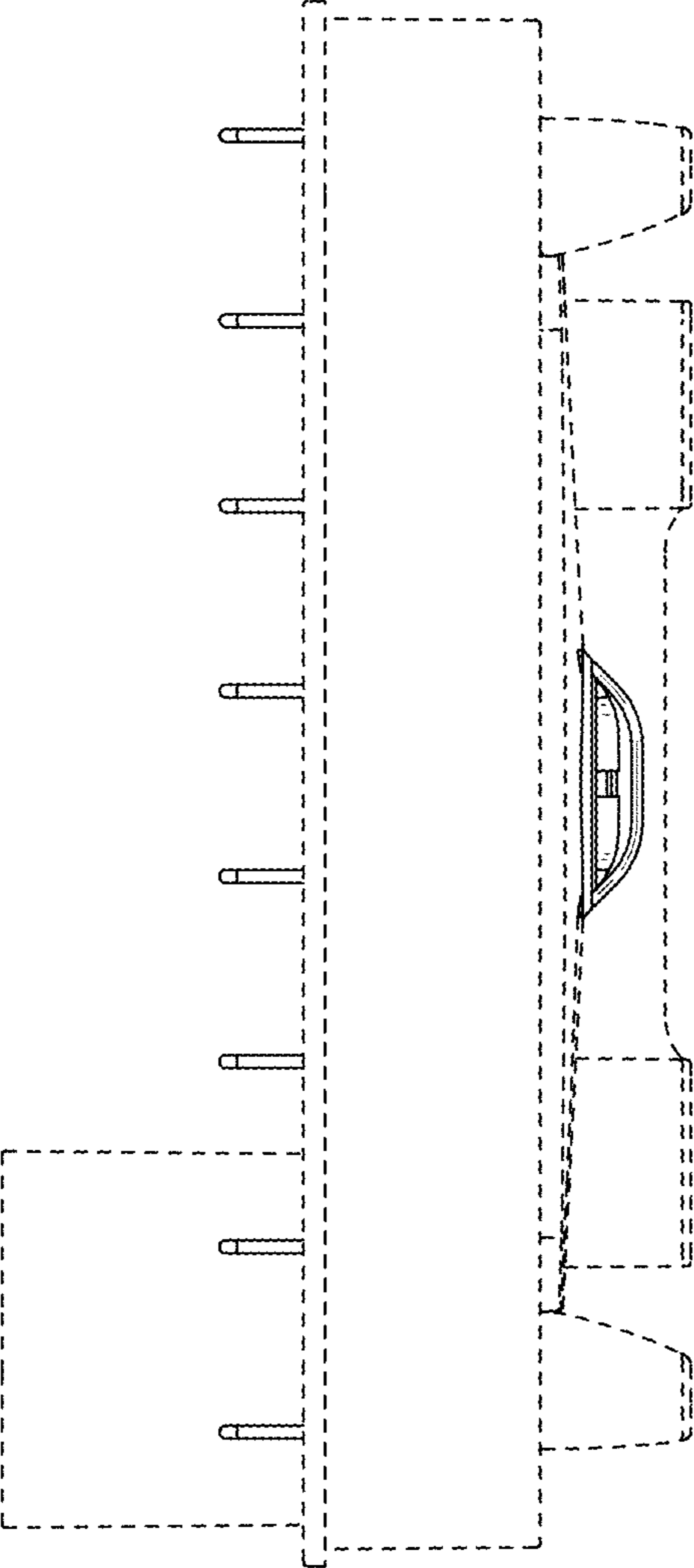


FIG. 2

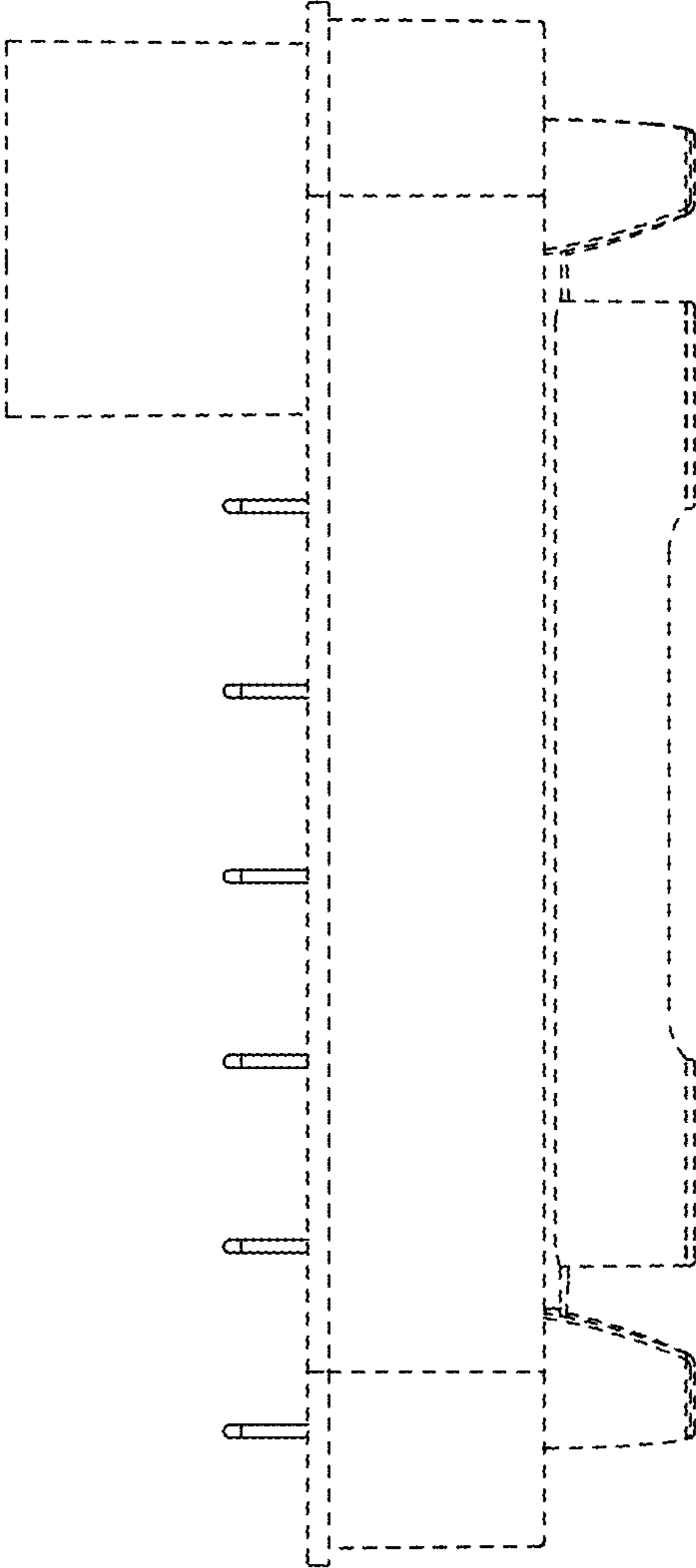


FIG. 3



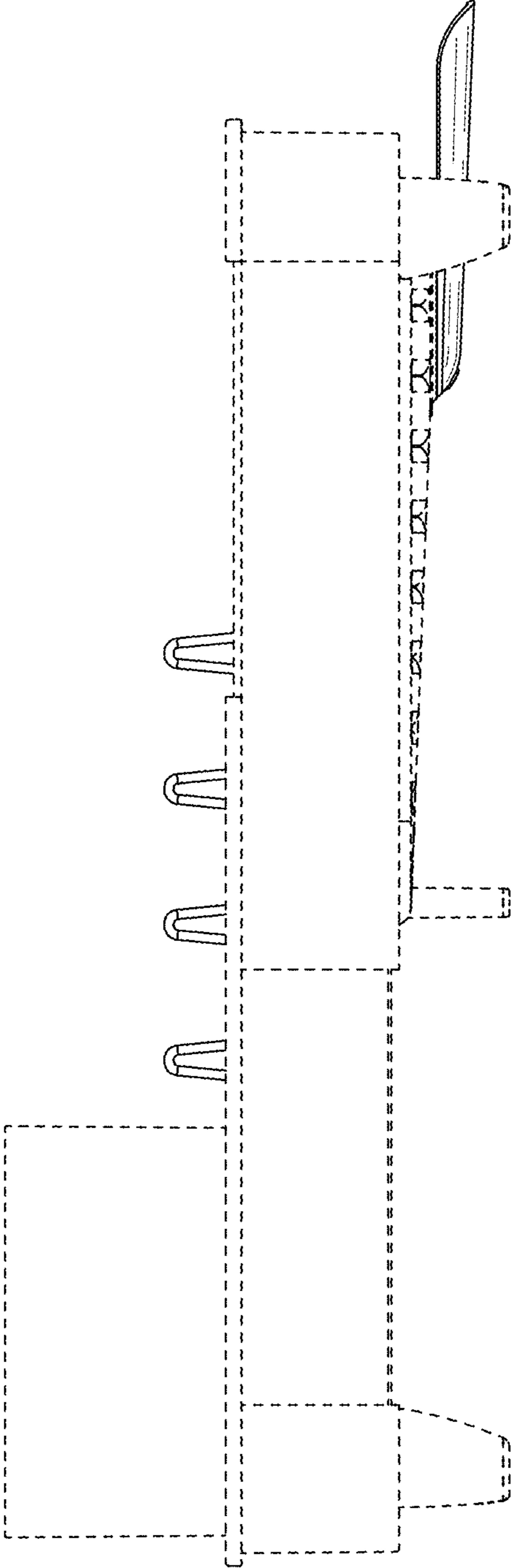


FIG. 4

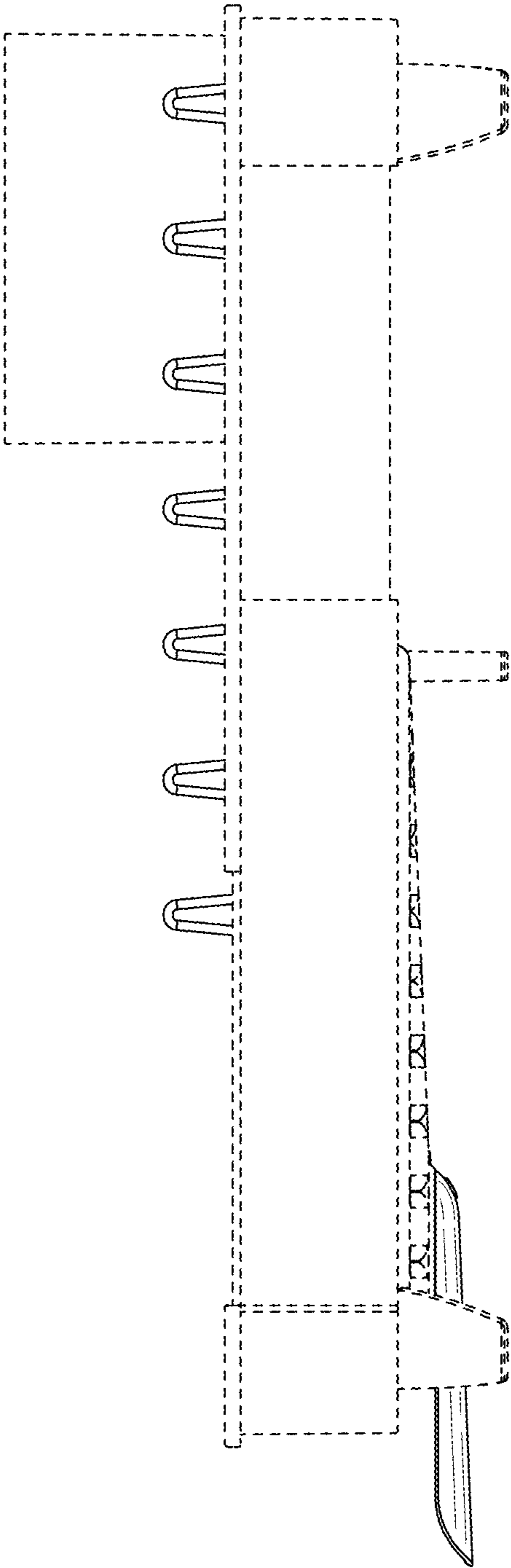


FIG.5

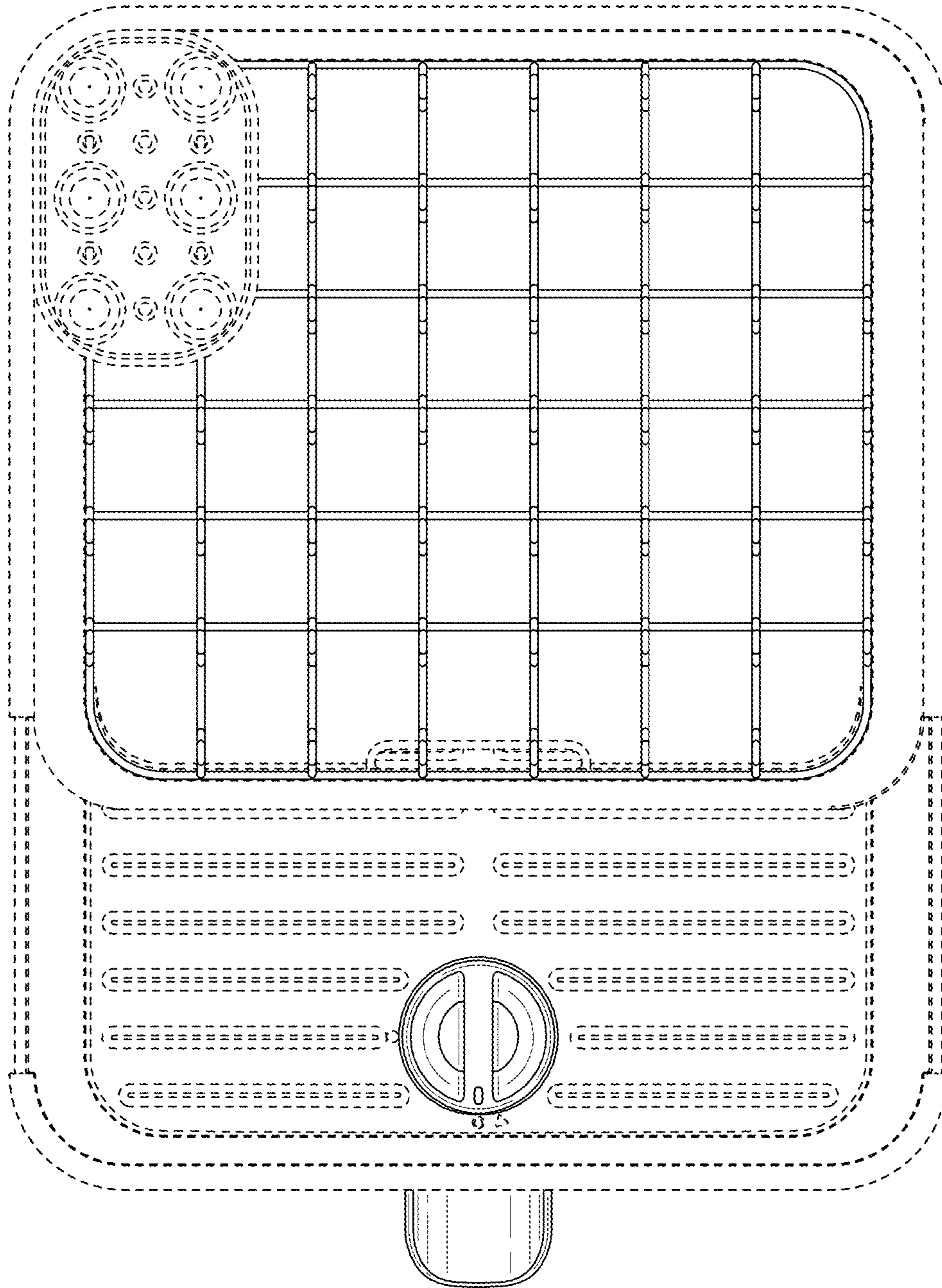


FIG. 6

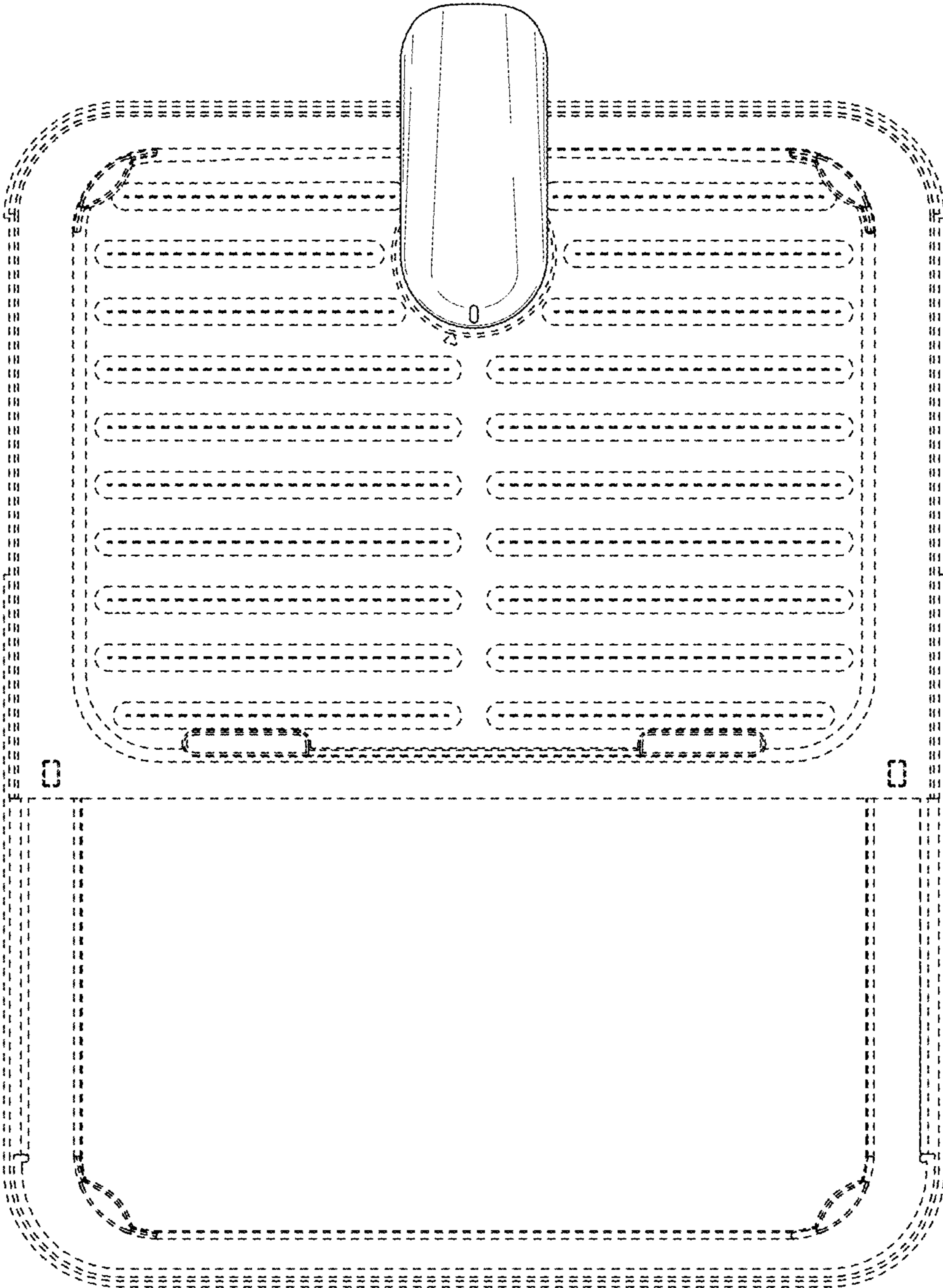


FIG. 7



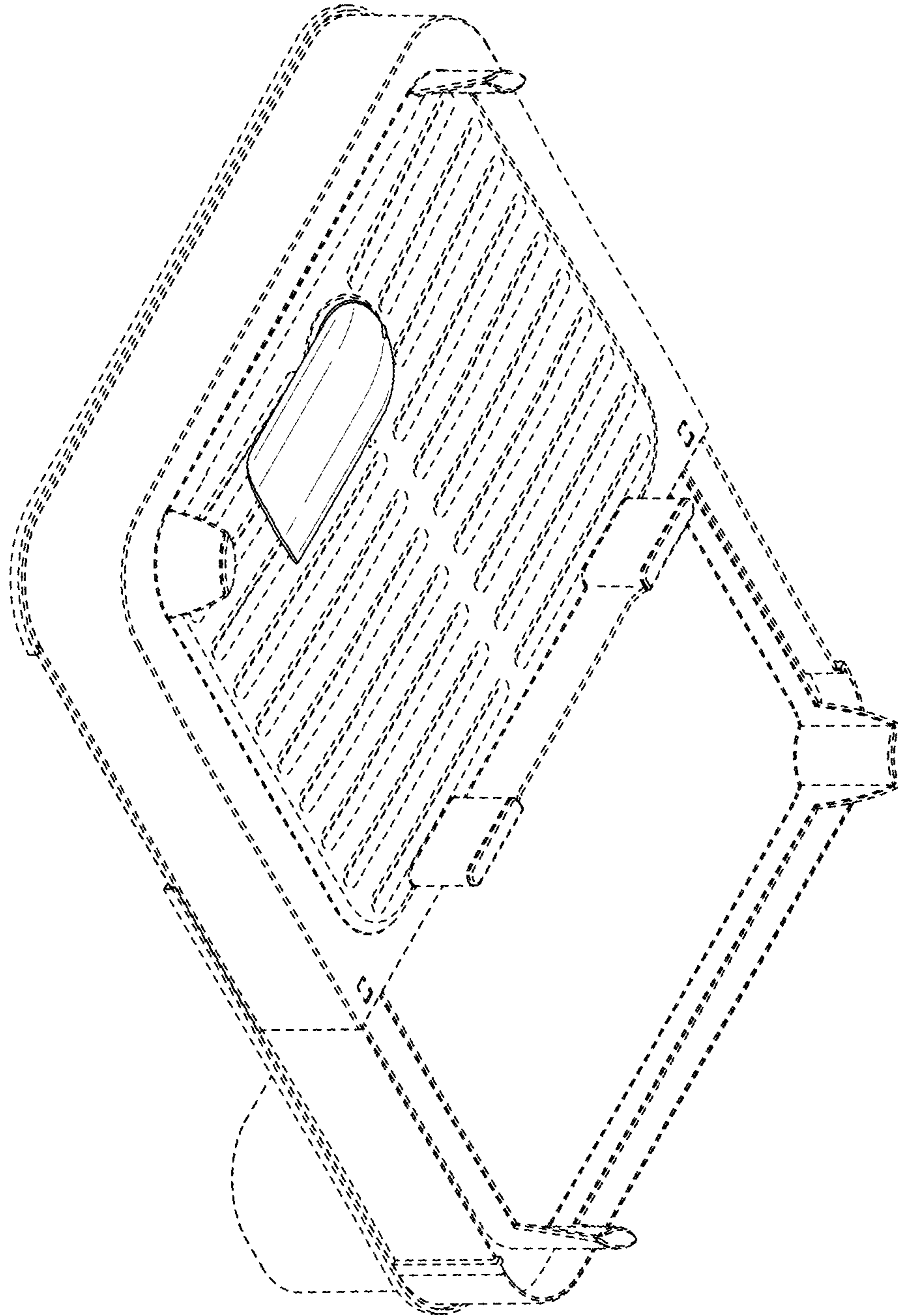


FIG. 8

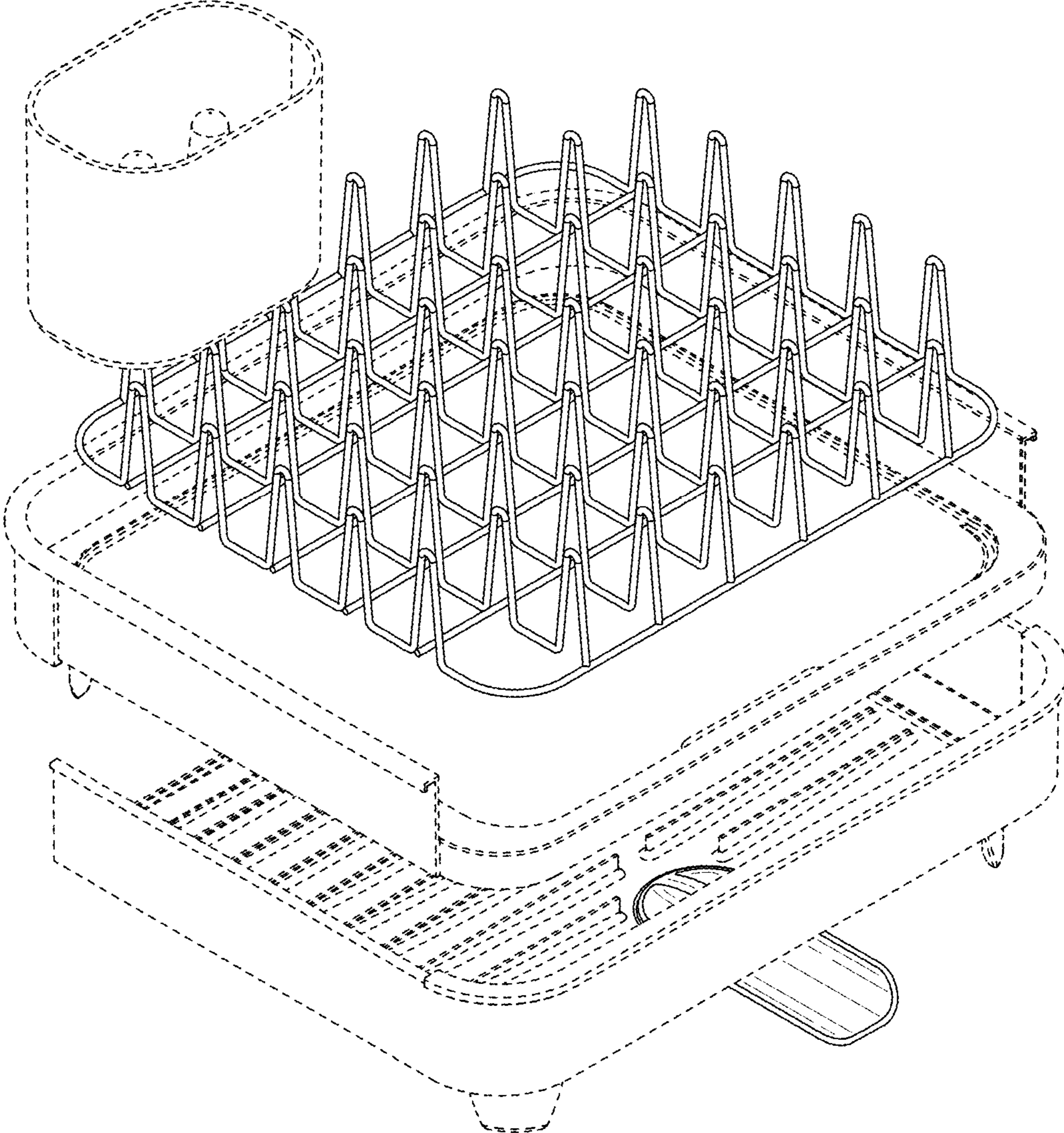


FIG.9