



US00D776384S

(12) **United States Design Patent** (10) **Patent No.:** **US D776,384 S**
Eldridge et al. (45) **Date of Patent:** **** Jan. 10, 2017**

(54) **T SHAPED RAZOR BLADE**

(71) Applicants: **William R. Eldridge**, Tewksbury, MA (US); **Michael David Hurley**, Belfast, ME (US)

(72) Inventors: **William R. Eldridge**, Tewksbury, MA (US); **Michael David Hurley**, Belfast, ME (US)

(**) Term: **15 Years**

(21) Appl. No.: **29/526,752**

(22) Filed: **May 13, 2015**

(51) **LOC (10) Cl.** **08-05**

(52) **U.S. Cl.**
USPC **D32/46; D28/47**

(58) **Field of Classification Search**
USPC D28/46-48; D32/46-49
CPC B26B 21/56; B26B 9/00; B26B 21/16;
A47L 13/08

See application file for complete search history.

(56) **References Cited**

U.S. PATENT DOCUMENTS

4,860,452 A * 8/1989 Guarnaccia B26B 21/56
30/346.5
5,943,781 A * 8/1999 Kim B26B 21/54
30/346.53

D558,418 S * 12/2007 Krauss D32/46
2003/0159241 A1 * 8/2003 Calzolari A47L 13/08
15/401
2005/0120564 A1 * 6/2005 Chen Lin A47L 13/08
30/169
2009/0199411 A1 * 8/2009 van Deursen A47L 13/022
30/169
2011/0094109 A1 * 4/2011 Chiu A47L 13/022
30/162

* cited by examiner

Primary Examiner — Jennifer Rivard

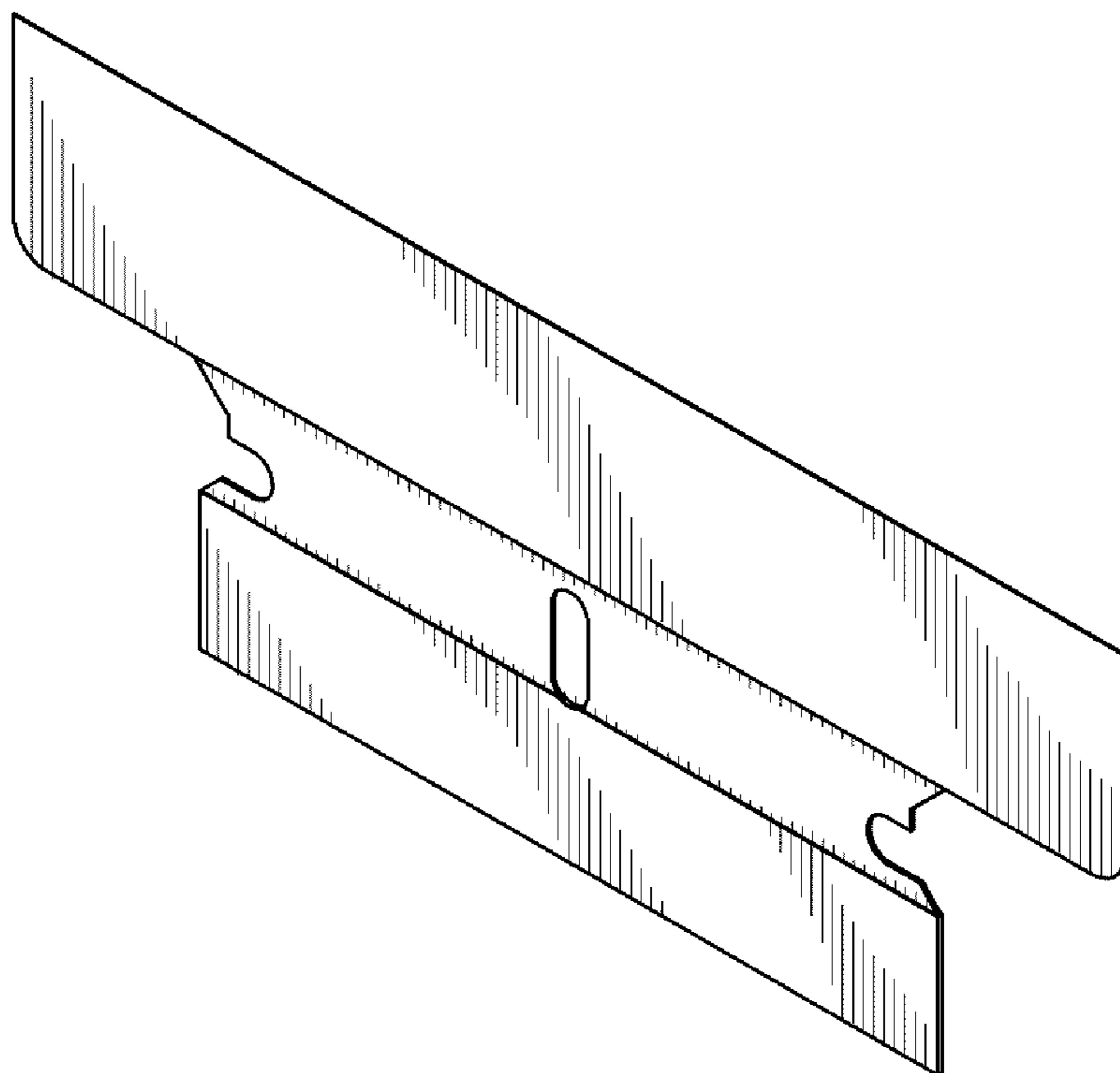
(57) **CLAIM**

The ornamental design for a T shaped razor blade, as shown and described.

DESCRIPTION

FIG. 1 is an isometric perspective view of a t-shaped razor blade showing our new design;
 FIG. 2 is a front view thereof;
 FIG. 3 is a rear view thereof;
 FIG. 4 is a left side view thereof;
 FIG. 5 is a right side view thereof;
 FIG. 6 is a top plan view thereof; and,
 FIG. 7 is a bottom plan view thereof.

1 Claim, 7 Drawing Sheets



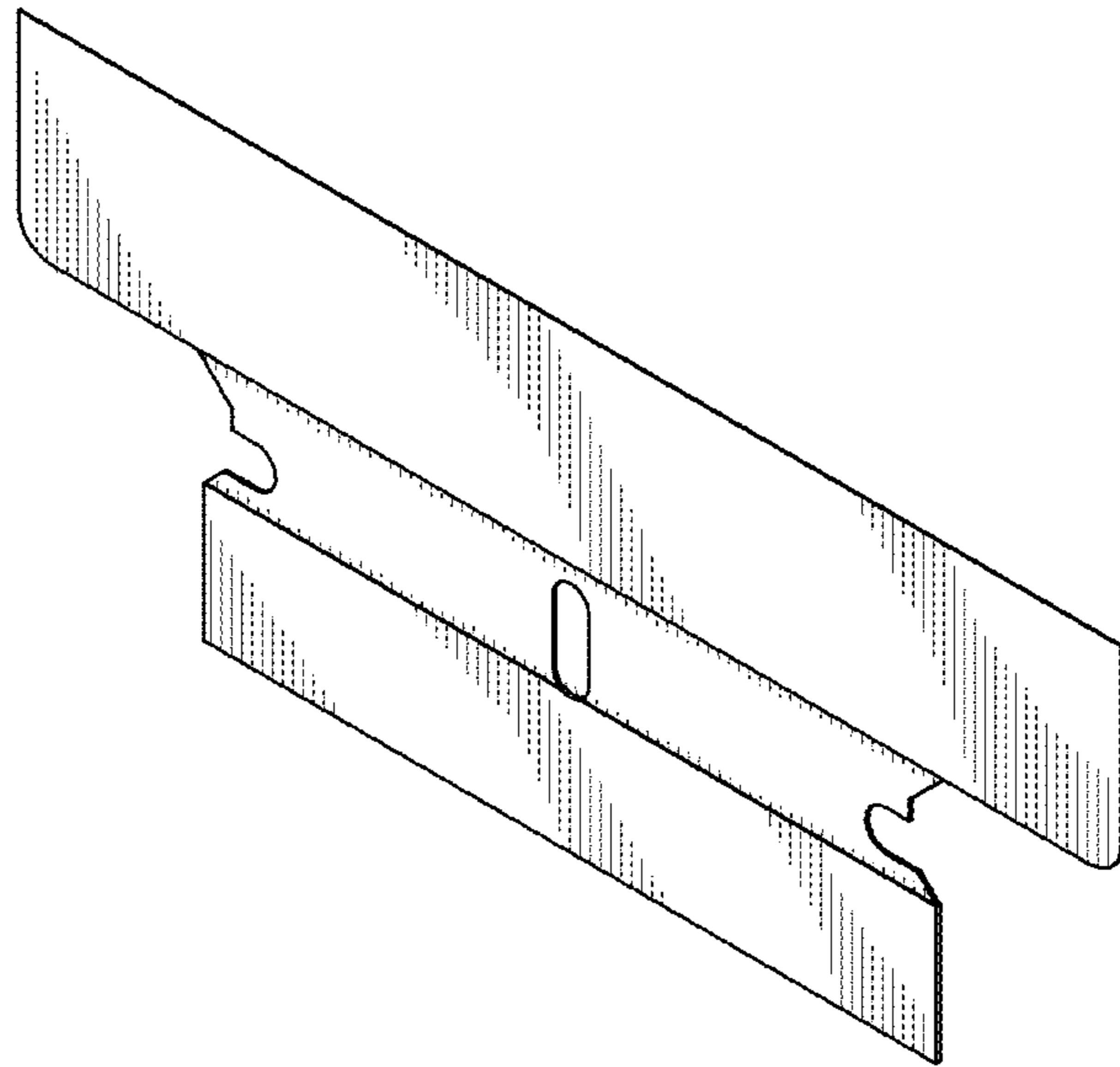


FIG. 1

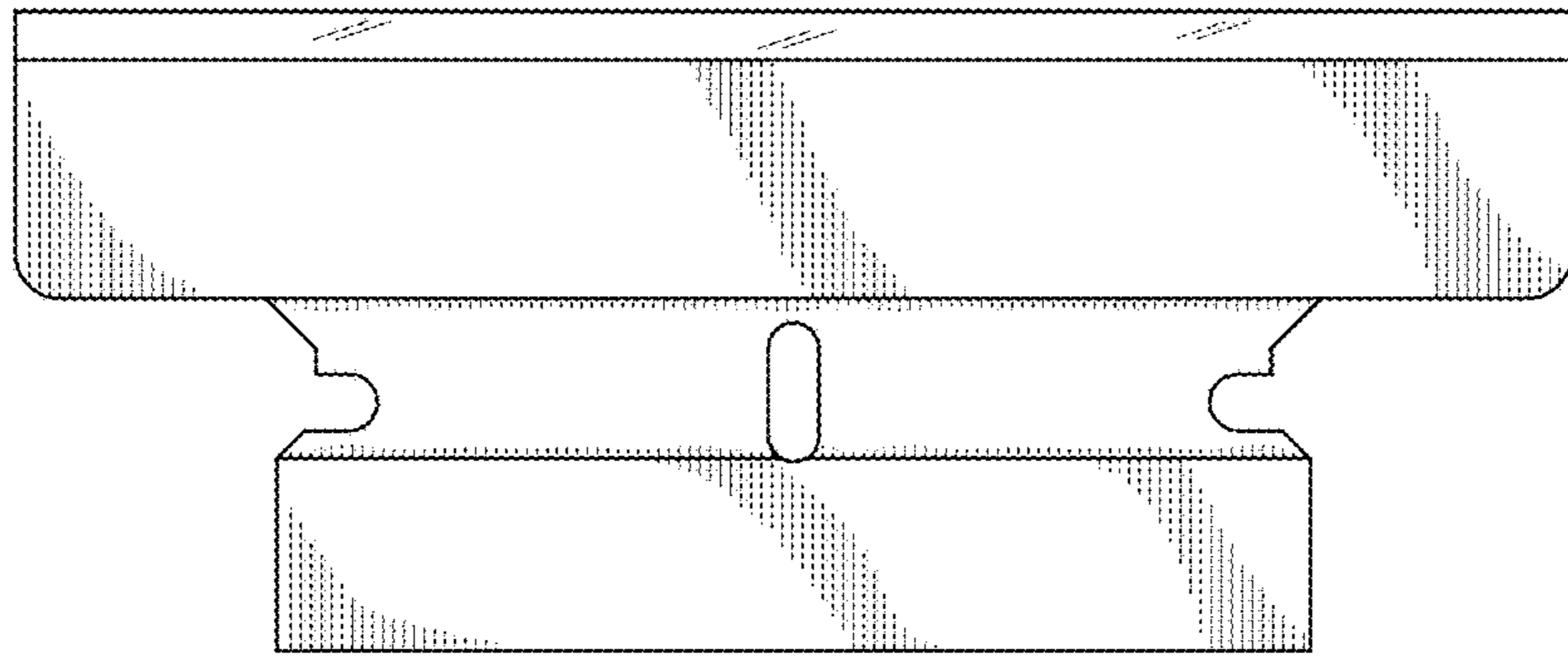


FIG. 2

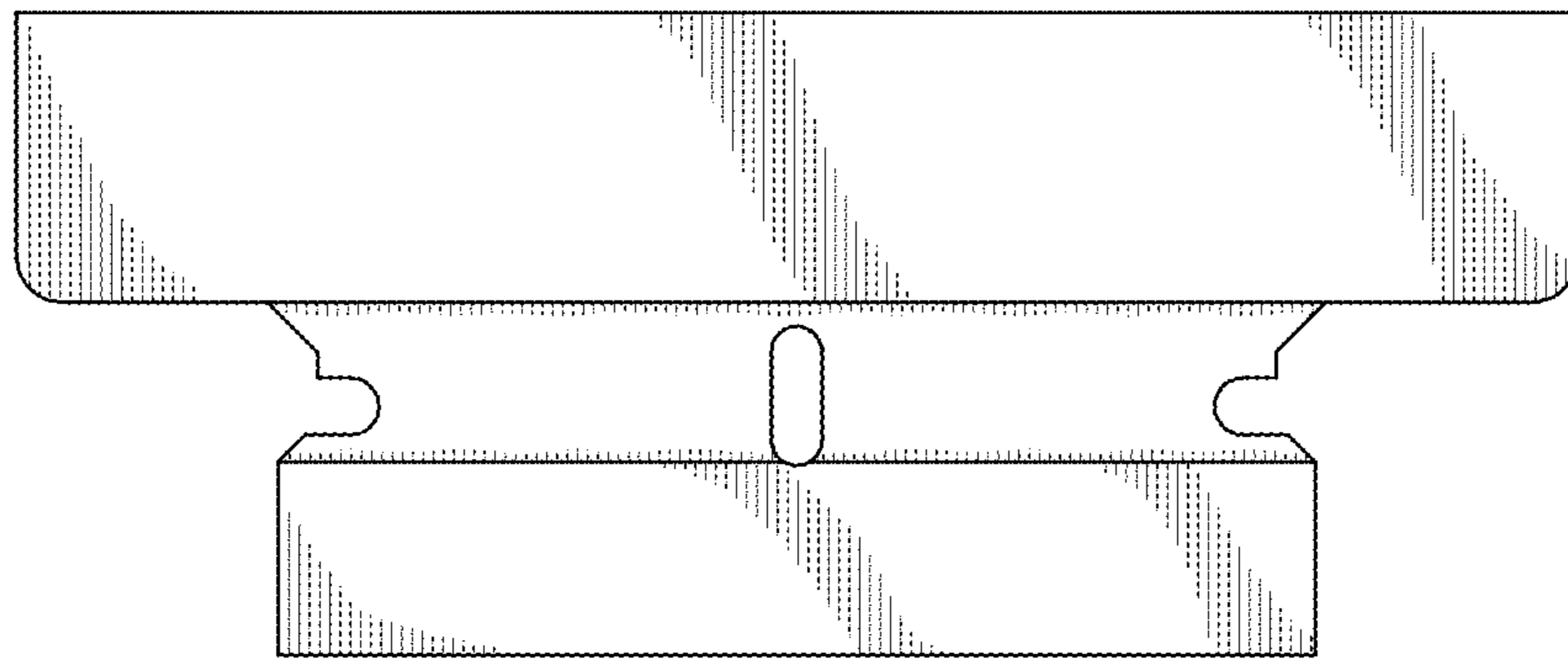


FIG. 3



FIG. 4



FIG. 5



FIG. 6



FIG. 7