



US00D776382S

(12) **United States Design Patent** (10) **Patent No.:** **US D776,382 S**
Jordan et al. (45) **Date of Patent:** **** Jan. 10, 2017**

(54) **CLEANING TOOL**

(71) Applicant: **REJ, LLC**, Lynn, MA (US)

(72) Inventors: **Robert E. Jordan**, Lynn, MA (US);
Marcel Thivierge, Boxford, MA (US)

(**) Term: **14 Years**

(21) Appl. No.: **29/497,778**

(22) Filed: **Jul. 29, 2014**

(51) **LOC (10) Cl.** **08-99**

(52) **U.S. Cl.**
USPC **D32/35**

(58) **Field of Classification Search**
USPC D32/35, 40, 41, 43, 46, 48, 74; D7/688,
D7/669; 15/236.01, 236.03, 263.02
CPC A47L 13/11; A47L 13/12; A47L 13/10;
A47L 13/022; A47L 13/02; A47L 13/00
See application file for complete search history.

(56) **References Cited**

U.S. PATENT DOCUMENTS

1,838,481 A * 12/1931 Gudka A47L 9/06
15/114
4,324,018 A * 4/1982 Olsson B05C 21/00
15/104.04
D280,248 S * 8/1985 Hanson, Jr. D32/50
D332,160 S * 12/1992 Kuzma D32/41
D364,719 S * 11/1995 Crawford D32/46

D365,425 S * 12/1995 Breshears D32/40
D374,750 S * 10/1996 Vanderhoef D32/50
D412,230 S * 7/1999 Schmidt D32/46
6,202,246 B1 * 3/2001 Boucher A46B 9/06
15/114
D502,580 S * 3/2005 Williams D32/41
D548,977 S * 8/2007 Hay D4/135
D719,422 S * 12/2014 Mendez D8/14

* cited by examiner

Primary Examiner — Susan Bennett Hattan
Assistant Examiner — Rebecca Tsehaye
(74) *Attorney, Agent, or Firm* — Coleman & MacDonald
Law Office

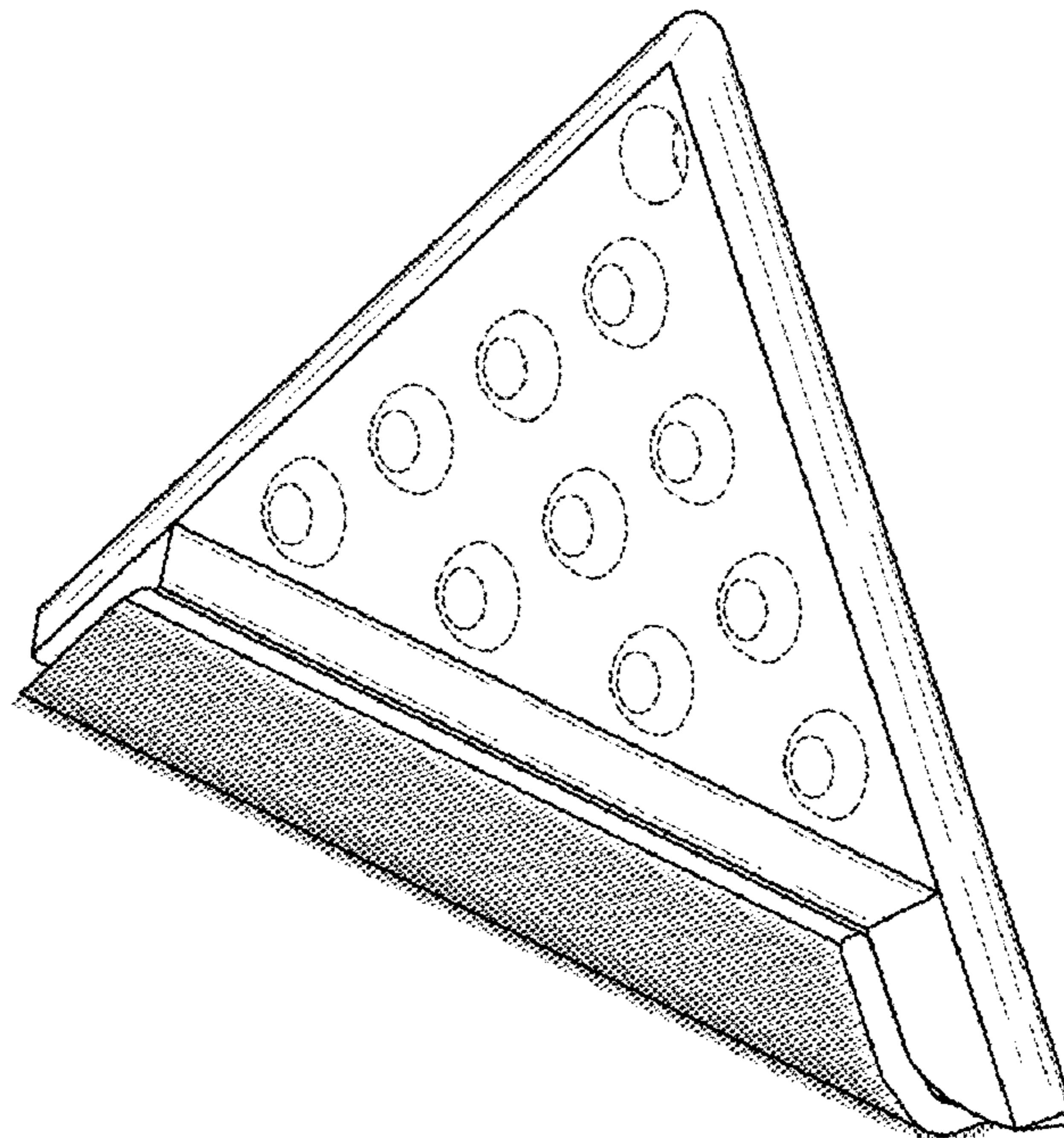
(57) **CLAIM**

The ornamental design for a cleaning tool, as shown and described.

DESCRIPTION

FIG. 1 is a perspective view of a cleaning tool according to our new design;
FIG. 2 is a front side view of the cleaning tool of FIG. 1;
FIG. 3 is a rear side view of the cleaning tool of FIG. 1;
FIG. 4 is a left end view of the cleaning tool of FIG. 1;
FIG. 5 is a right end view of the cleaning tool of FIG. 1;
FIG. 6 is a top view of the cleaning tool of FIG. 1; and,
FIG. 7 is a bottom view of the cleaning tool of FIG. 1.
The broken lines in the drawings depict portions of the cleaning tool that form no part of the claimed design.

1 Claim, 7 Drawing Sheets



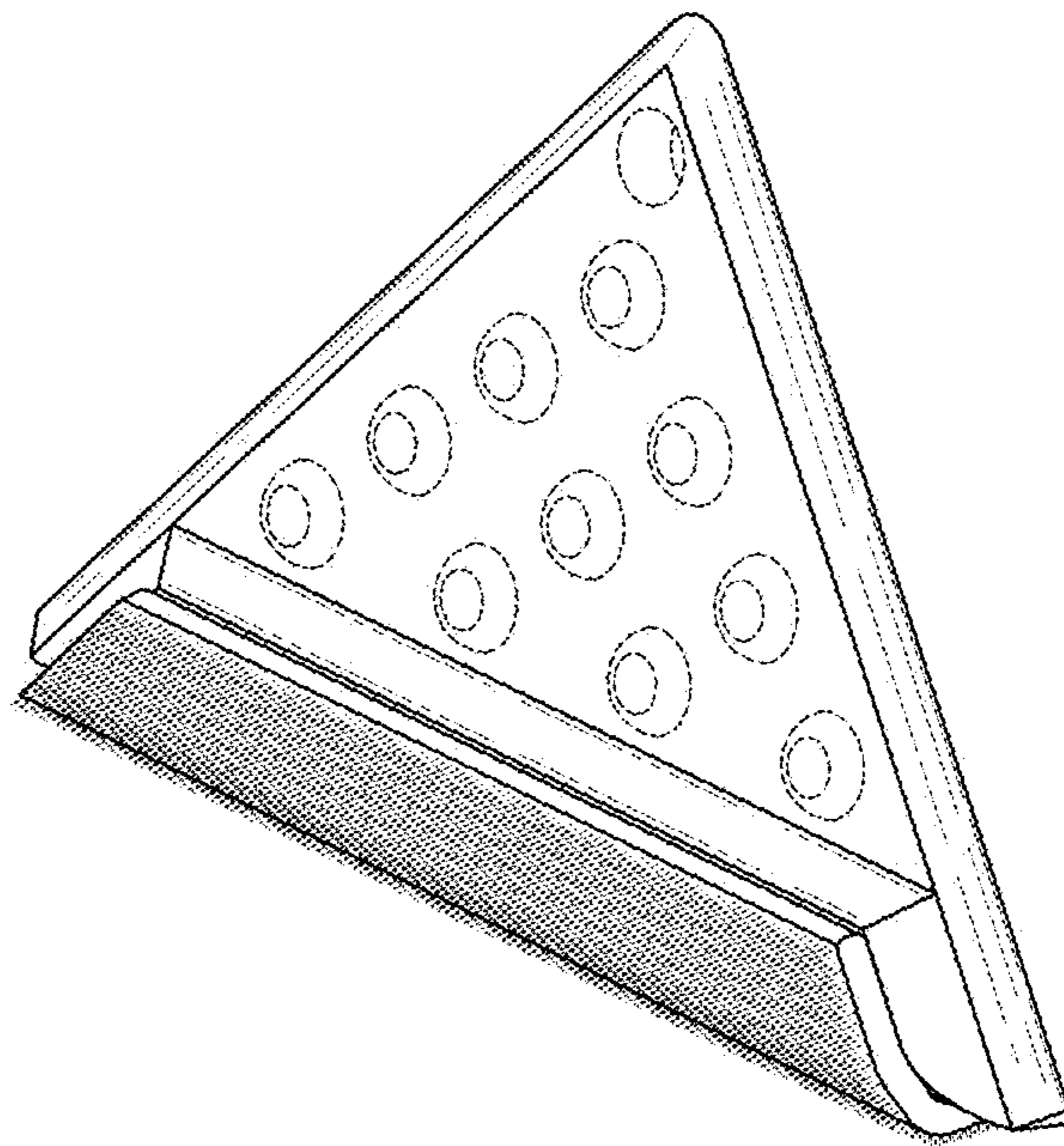


FIG. 1

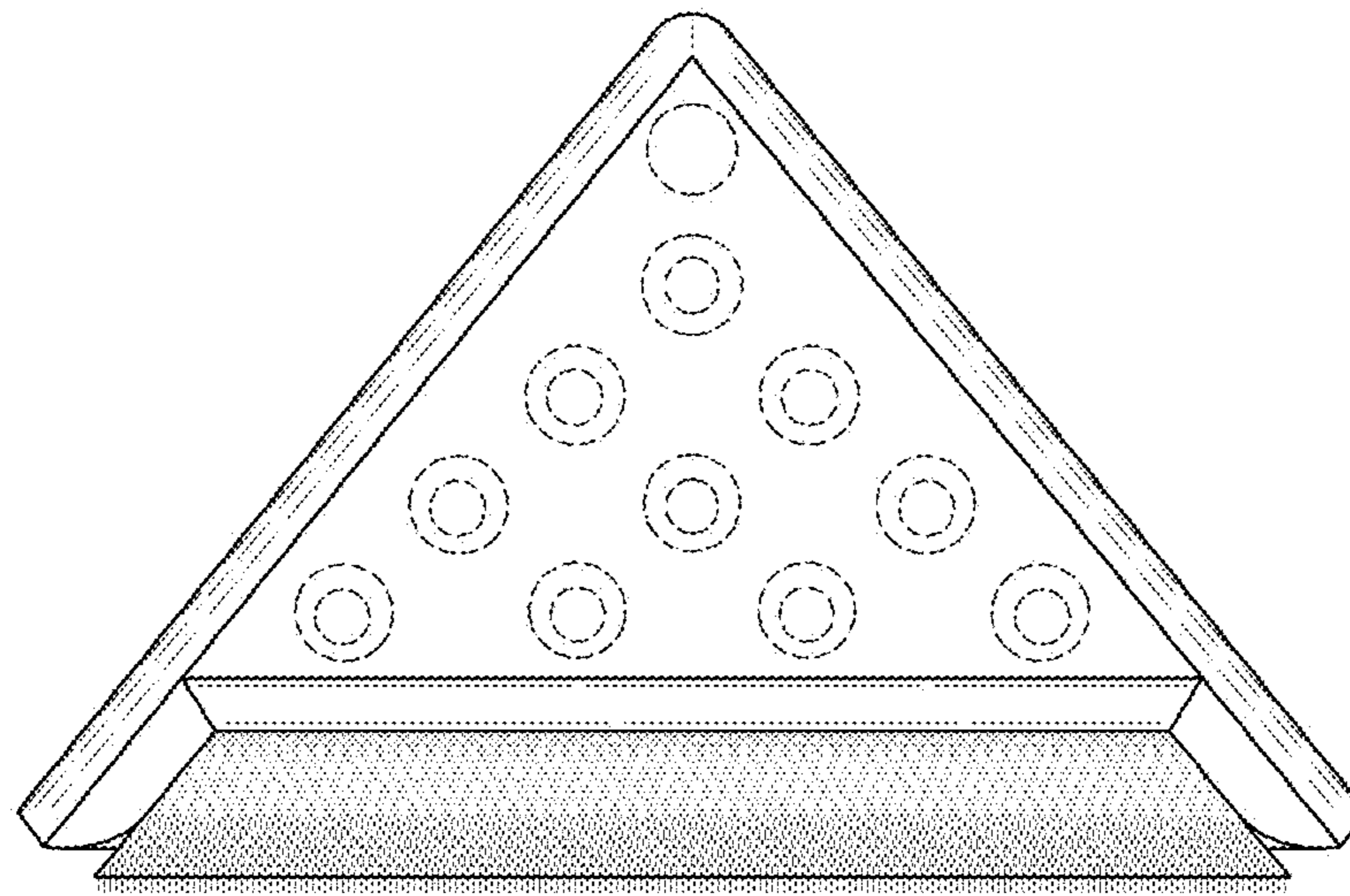


FIG. 2

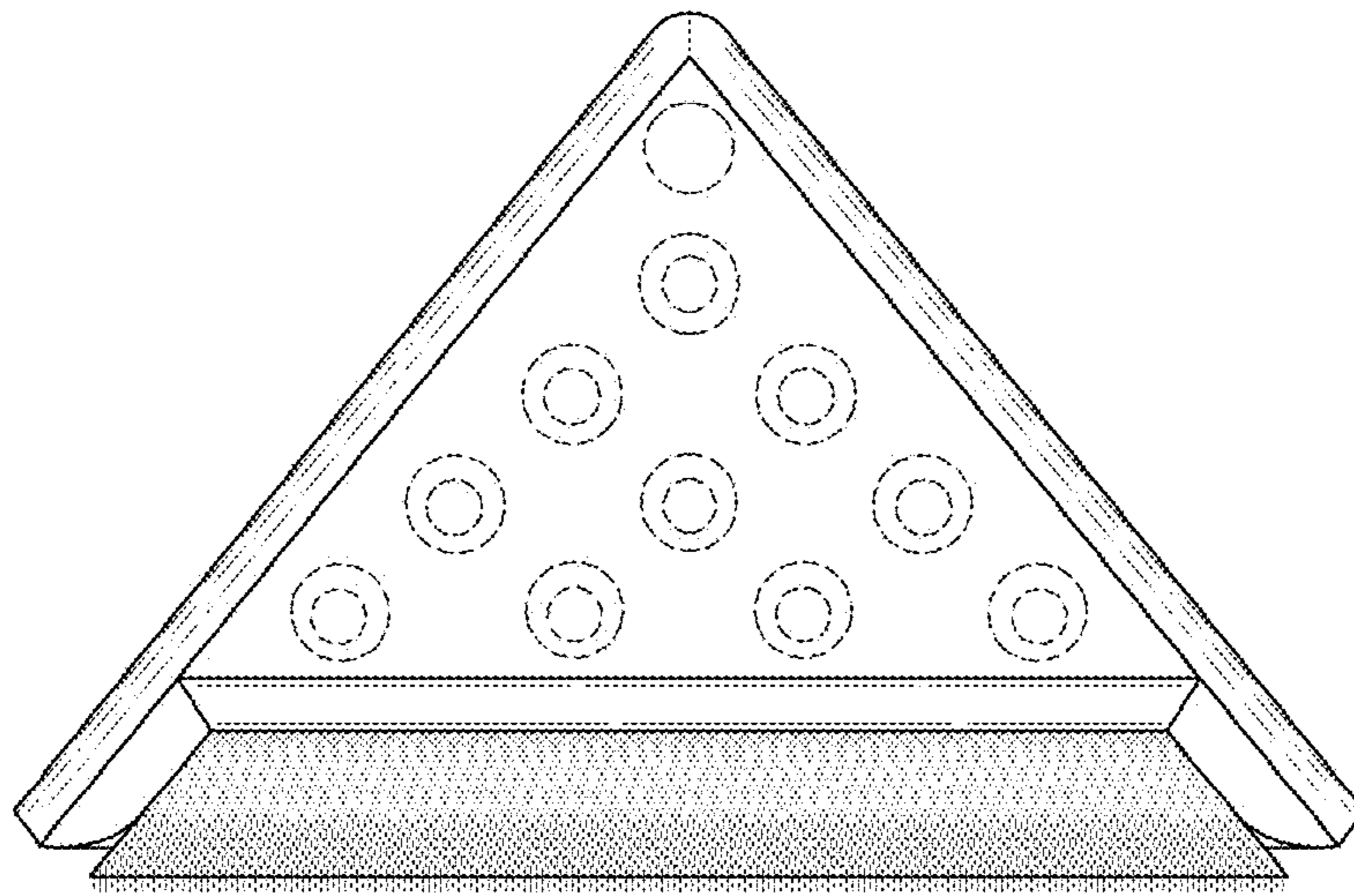


FIG. 3

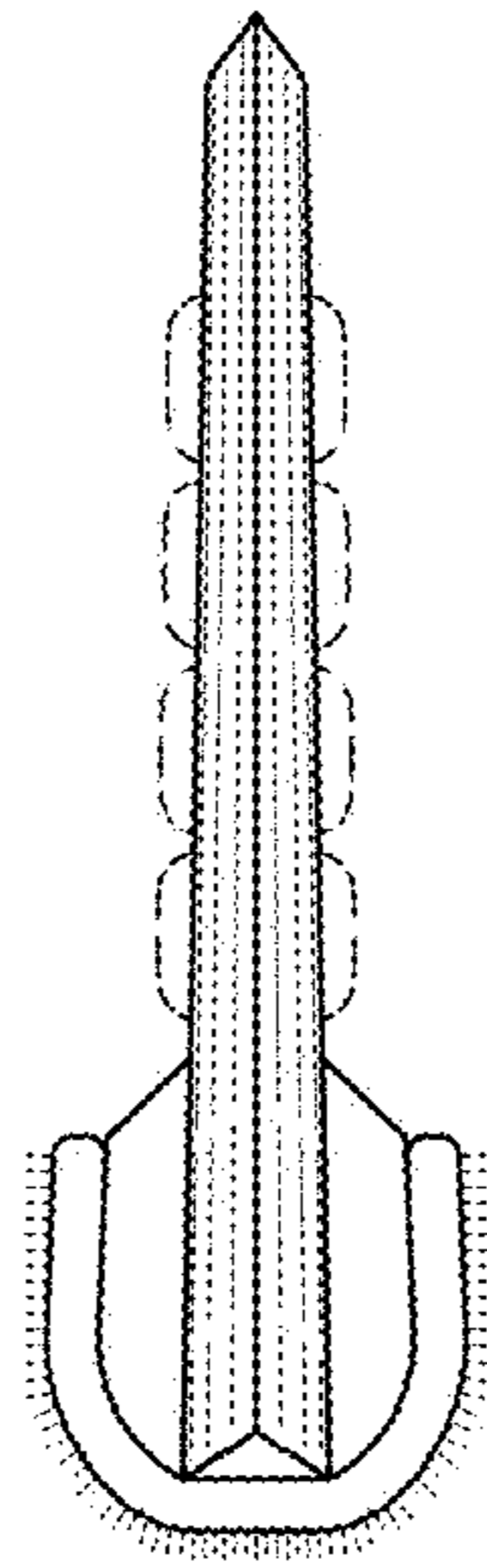


FIG. 4

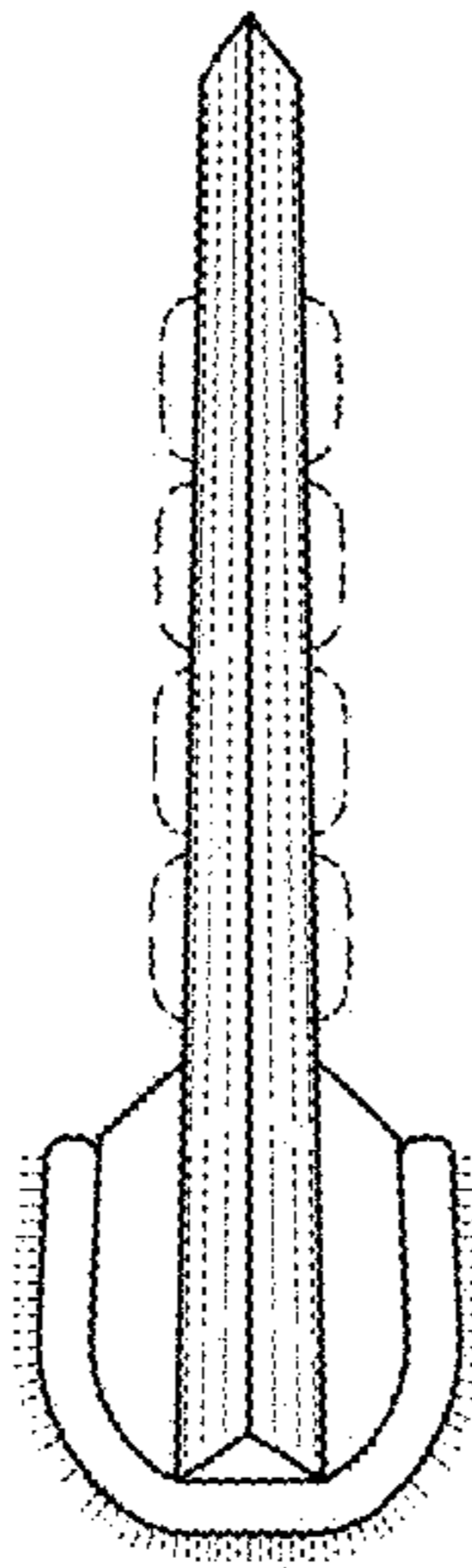


FIG. 5

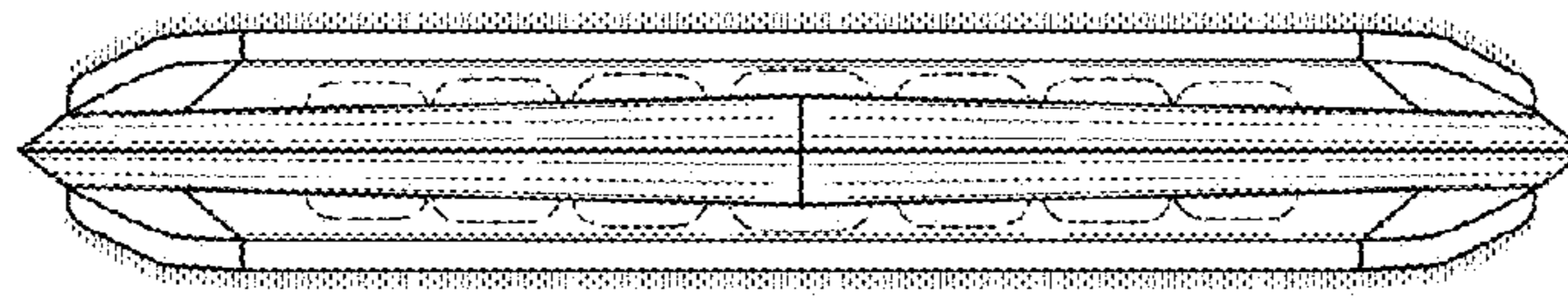


FIG. 6

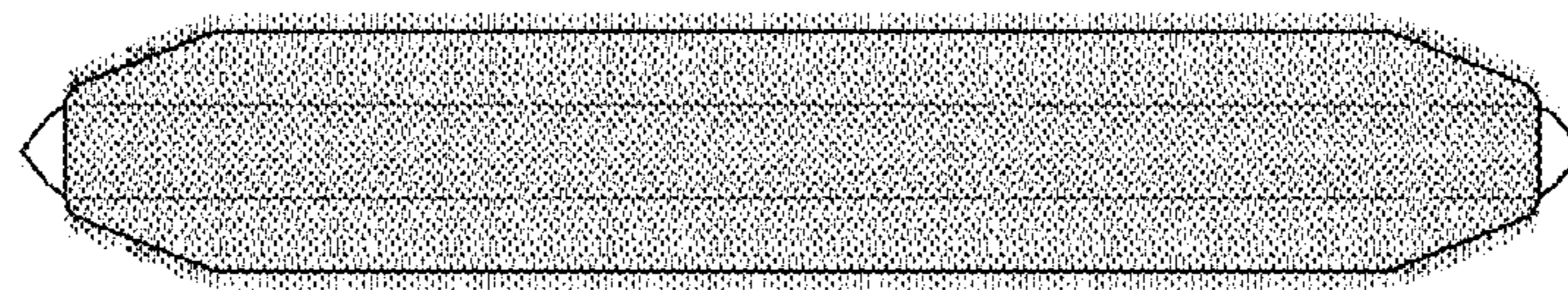


FIG. 7