



US00D776381S

(12) **United States Design Patent**
Manning

(10) **Patent No.:** **US D776,381 S**
(45) **Date of Patent:** **** Jan. 10, 2017**

(54) **PORTION OF A FLOOR STEAM CLEANING DEVICE**

(71) Applicant: **Techtronic Floor Care Technology Limited**, Tortola (VG)

(72) Inventor: **Daragh Michael Manning**, Birmingham (GB)

(73) Assignee: **Techtronic Floor Care Technology Limited**, Tortola (VG)

(**) Term: **14 Years**

(21) Appl. No.: **29/497,874**

(22) Filed: **Jul. 29, 2014**

(30) **Foreign Application Priority Data**

Jan. 29, 2014 (CN) 2014 3 0024633

(51) **LOC (10) Cl.** **15-05**

(52) **U.S. Cl.**
USPC **D32/34; D32/31**

(58) **Field of Classification Search**
USPC ... D32/17-18, 21-24, 31, 34, 40, 42, 49-52
CPC A47L 5/28; A47L 5/32; A47L 5/362;
A47L 5/365; A47L 5/24; A47L 5/34;
A47L 7/0038; A47L 9/26; A47L 9/2857;
A47L 9/20; A47L 9/02; A47L 9/322;
A47L 9/325; A47L 11/34; A47L 11/40;
A47L 11/4044; A47L 11/20; A47L 11/146;
B08B 3/02

See application file for complete search history.

(56) **References Cited**

U.S. PATENT DOCUMENTS

D303,173 S * 8/1989 Miyamoto D32/22
D348,548 S * 7/1994 Pino D32/18
D668,010 S * 9/2012 Stickney D32/18

D731,720 S * 6/2015 Gidwell D32/18
D738,584 S * 9/2015 Niedzwecki D32/18
D743,123 S * 11/2015 Chu D32/18
D745,231 S * 12/2015 Niedzwecki D32/18
2014/0033469 A1* 2/2014 Toole A47L 9/0673
15/415.1

(Continued)

FOREIGN PATENT DOCUMENTS

WO WO2015114286 * 8/2015 A47L 11/34

OTHER PUBLICATIONS

Co-pending U.S. Appl. No. 29/471,562, filed Nov. 1, 2013.
Co-pending U.S. Appl. No. 29/497,866, filed Jul. 29, 2014.
Co-pending U.S. Appl. No. 29/497,871, filed Jul. 29, 2014.

Primary Examiner — Ruth McInroy

(74) *Attorney, Agent, or Firm* — Michael Best & Friedrich LLP

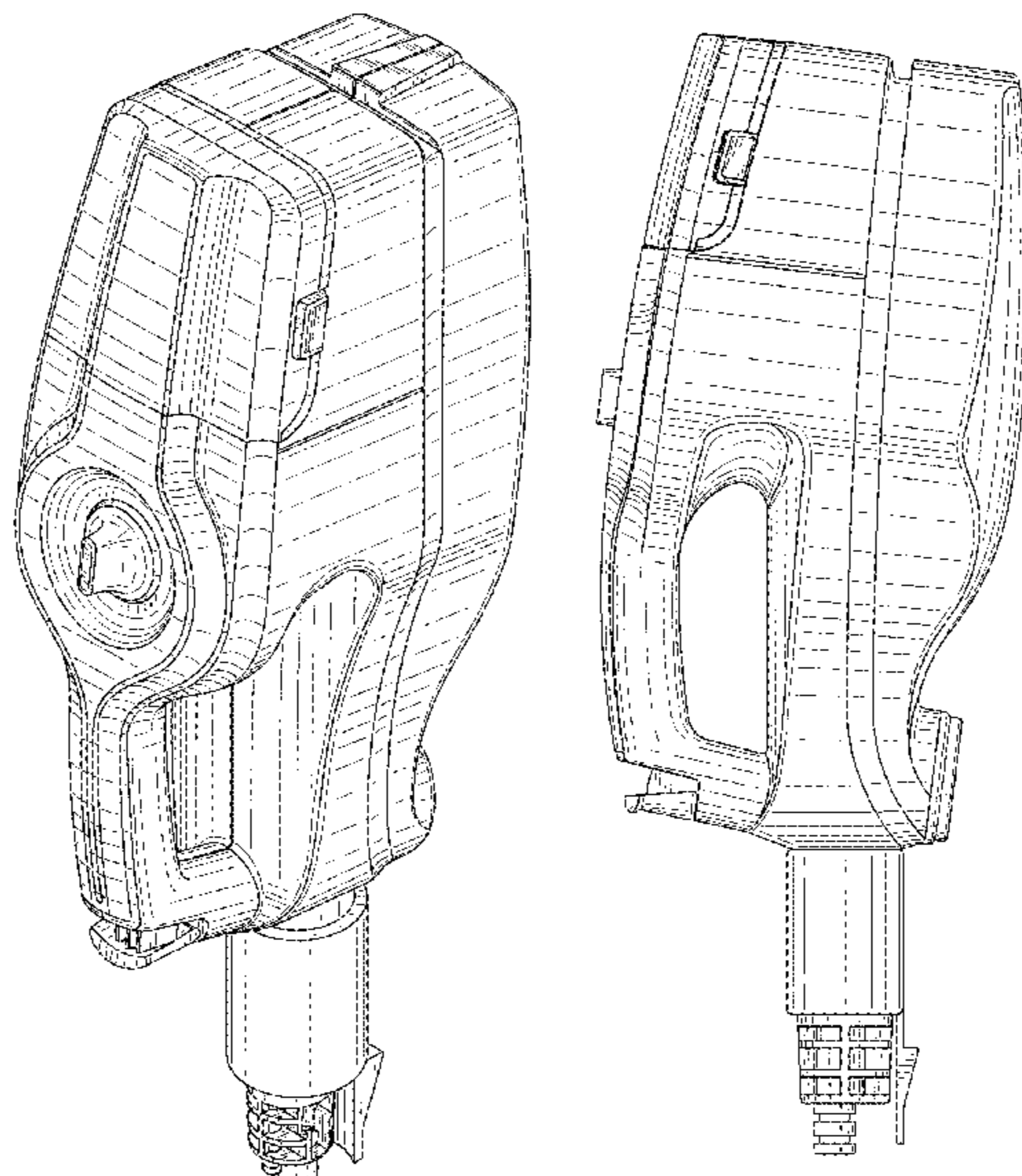
(57) **CLAIM**

We claim the ornamental design for a portion of a floor steam cleaning device, as shown and described.

DESCRIPTION

FIG. 1 is a perspective view of a floor cleaning device embodying the invention;
FIG. 2 is a left side view of the floor cleaning device of FIG. 1;
FIG. 3 is a right side view of the floor cleaning device of FIG. 1;
FIG. 4 is a front view of the floor cleaning device of FIG. 1;
FIG. 5 is a rear view of the floor cleaning device of FIG. 1; and,
FIG. 6 is a top view of the floor cleaning device of FIG. 1. The elements shown in broken lines are included for the purpose of illustrating environment and form no part of the claimed design.

1 Claim, 4 Drawing Sheets



(56)

References Cited

U.S. PATENT DOCUMENTS

2014/0366286 A1* 12/2014 Zheng A47L 9/2831
15/3

* cited by examiner

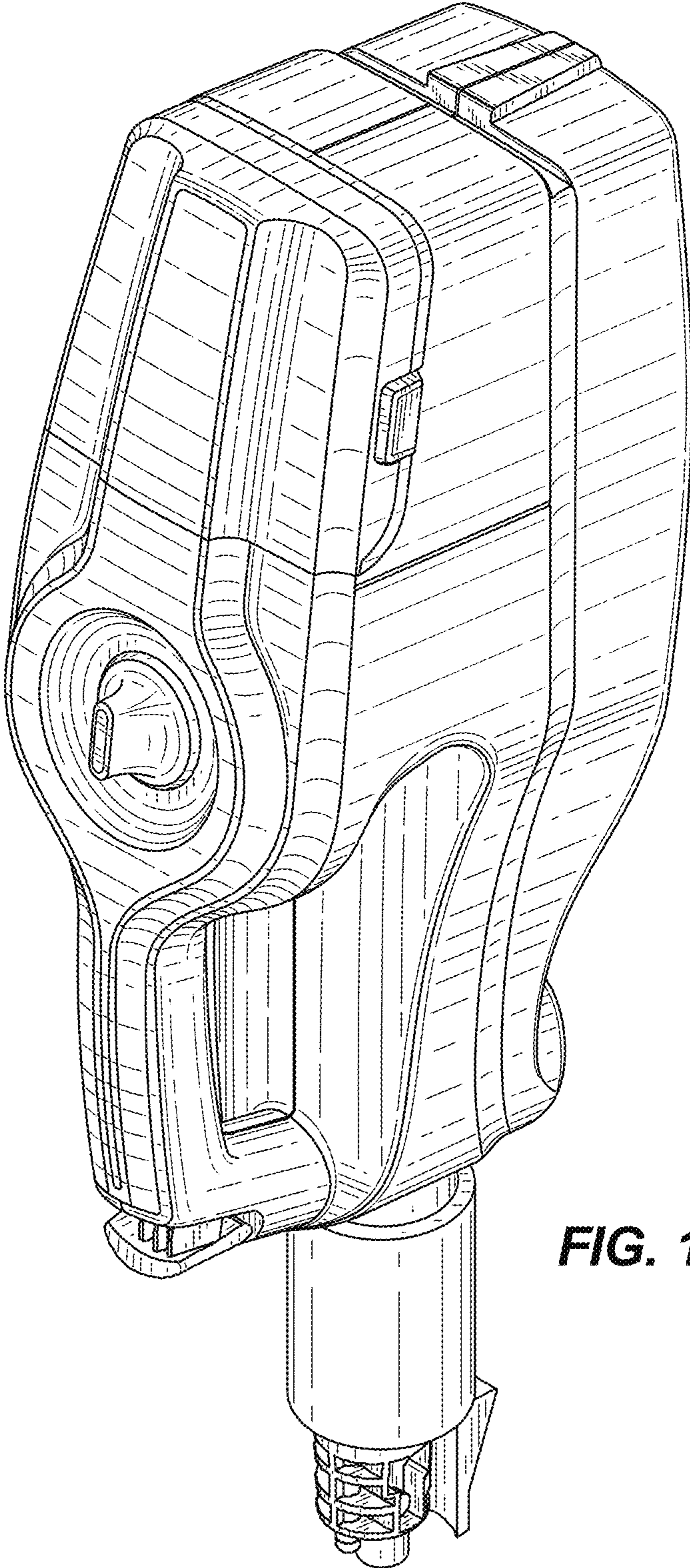
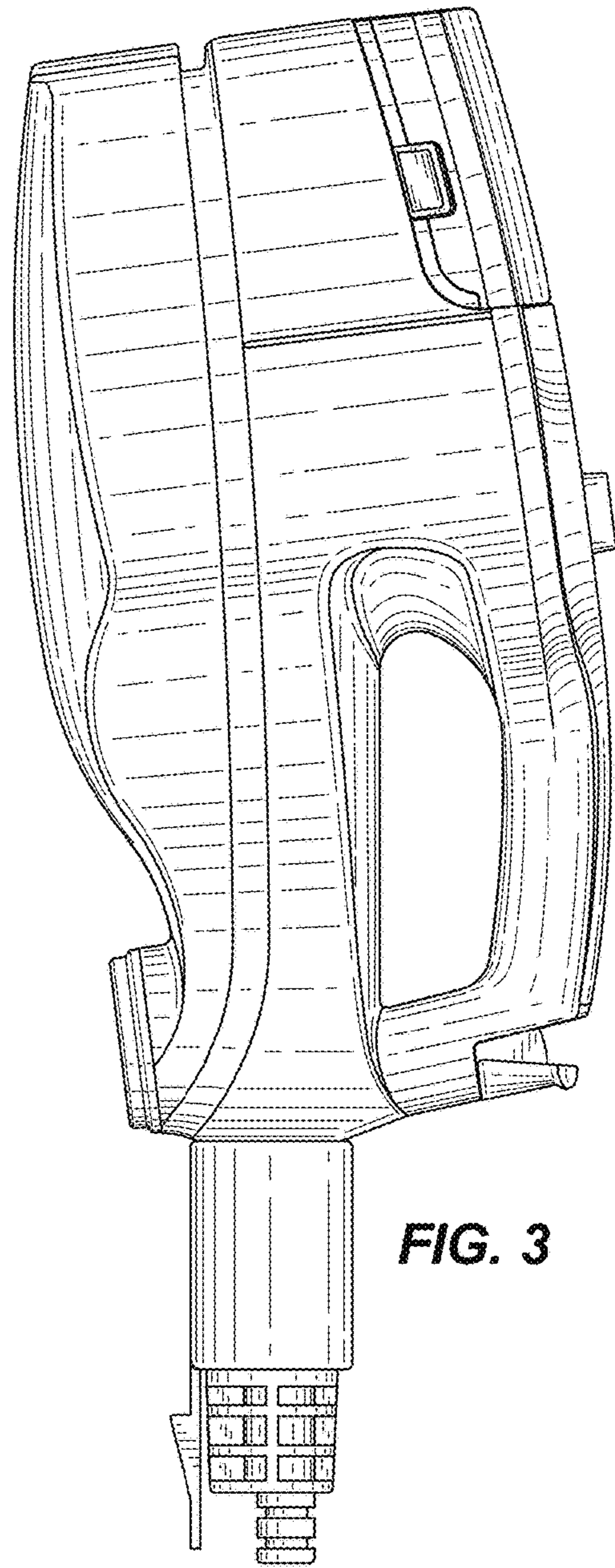
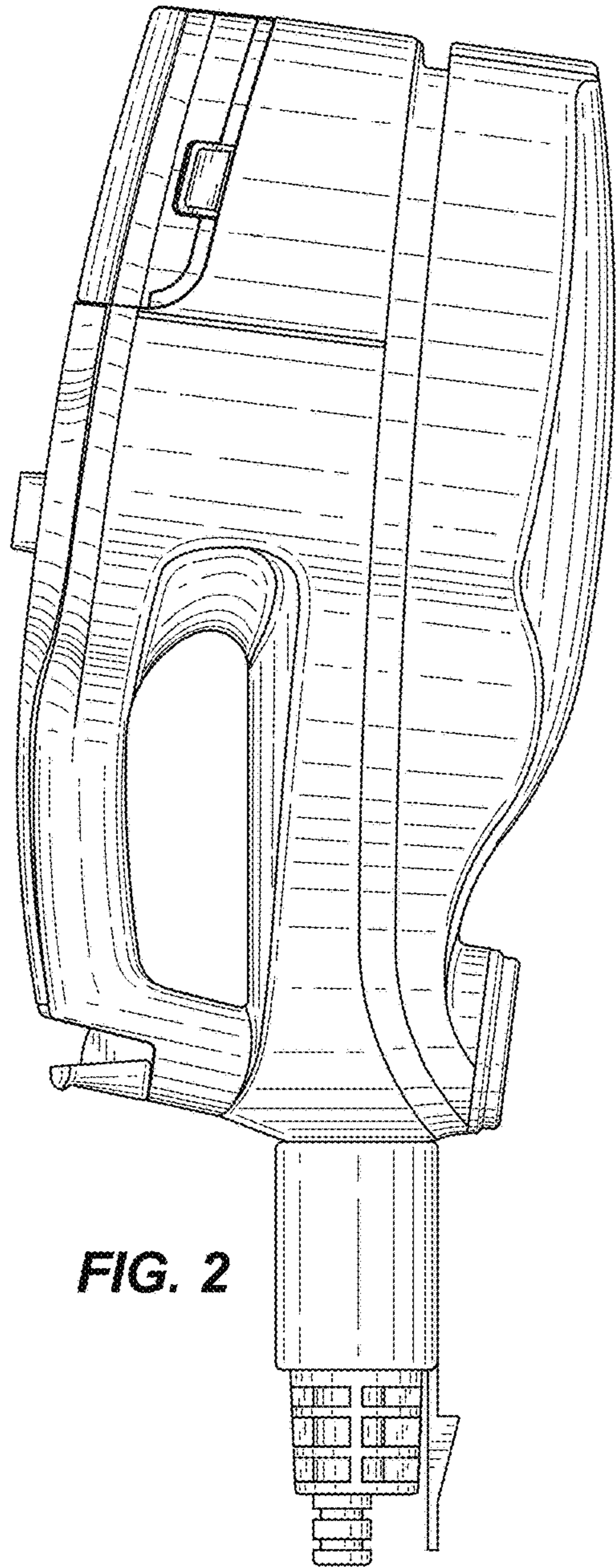


FIG. 1



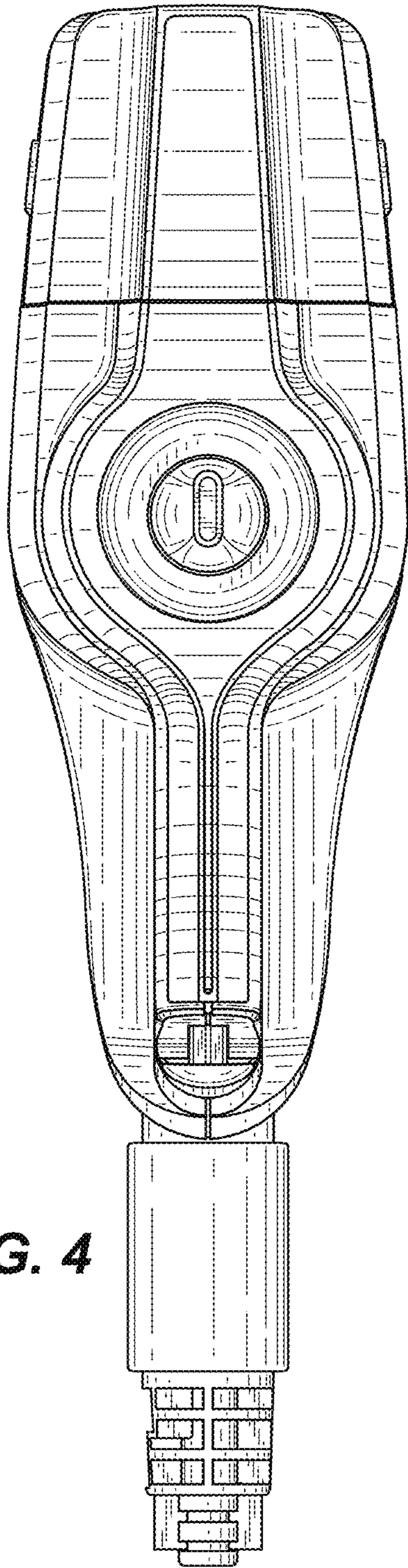


FIG. 4

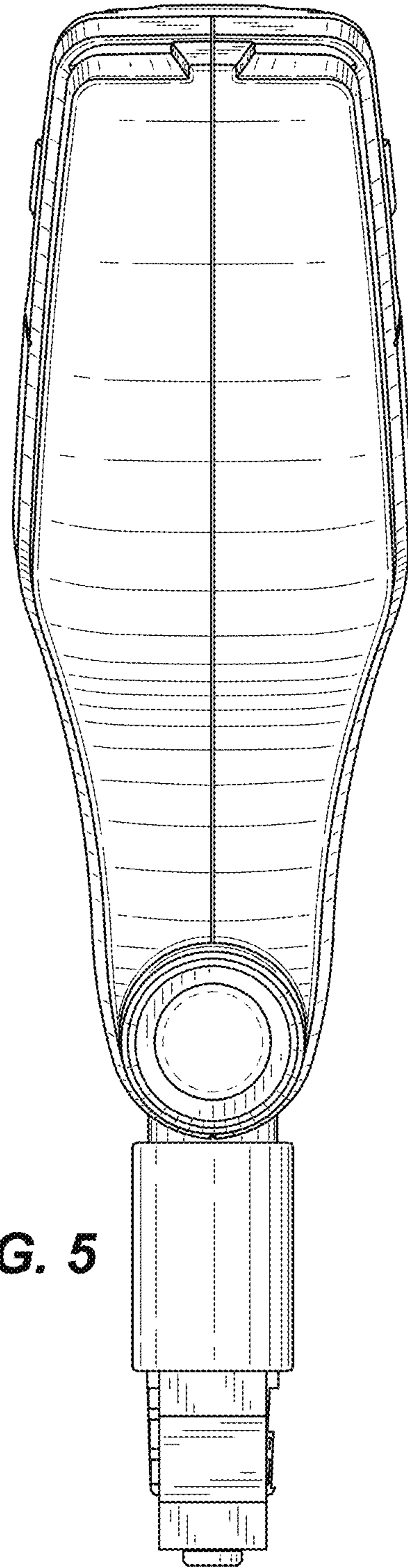


FIG. 5

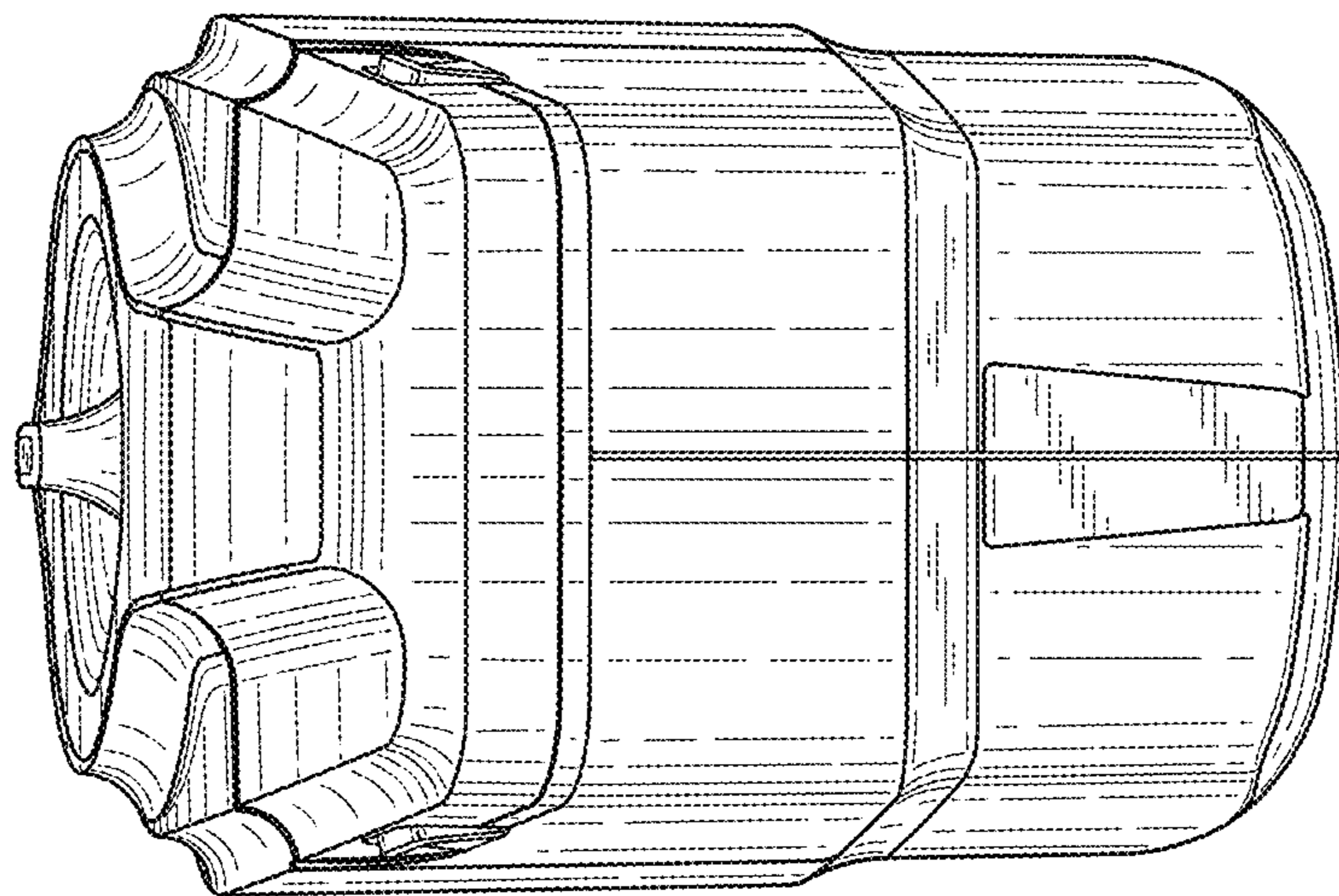


FIG. 6