



US00D776380S

(12) **United States Design Patent**  
**Yoneda et al.**

(10) **Patent No.: US D776,380 S**  
(45) **Date of Patent: \*\* Jan. 10, 2017**

(54) **BRUSH FOR VACUUM CLEANER**

(71) Applicant: **Samsung Electronics Co., Ltd.**,  
Suwon-si, Gyeonggi-do (KR)

(72) Inventors: **Atsuhiko Yoneda**, Warabi (JP);  
**Hirohisa Miyazaki**, Tokyo (JP); **Norio Okada**,  
Yokohama (JP); **Mitsuhiro Shigeri**,  
Yokohama (JP); **Masato Suzuki**,  
Saitama (JP)

(73) Assignee: **SAMSUNG ELECTRONICS CO., LTD.**,  
Suwon-si, Gyeonggi-Do (KR)

(\*\*) Term: **15 Years**

(21) Appl. No.: **29/528,105**

(22) Filed: **May 26, 2015**

(30) **Foreign Application Priority Data**

Dec. 5, 2014 (KR) ..... 30-2014-0059270

(51) **LOC (10) Cl.** ..... **15-05**

(52) **U.S. Cl.**  
USPC ..... **D32/32**

(58) **Field of Classification Search**  
USPC ..... D32/25, 31-33  
CPC ..... A47L 9/02; A47L 9/06; A47L 5/28;  
A47L 5/24; A47L 11/4044; E04H 4/1654;  
E04H 4/34  
See application file for complete search history.

(56) **References Cited**

**U.S. PATENT DOCUMENTS**

D457,696 S *	5/2002	Worwag	.....	D32/32
D507,854 S *	7/2005	Kim	.....	D32/32
D580,611 S *	11/2008	Roschi	.....	D32/33
D649,725 S *	11/2011	Fjellman	.....	D32/32
D686,379 S *	7/2013	Kim	.....	D32/32
D698,510 S *	1/2014	Chu	.....	D32/32

D706,504 S *	6/2014	Park	.....	D32/33
D709,658 S	7/2014	Griffin et al.		
D741,559 S *	10/2015	Marsden	.....	D32/32

(Continued)

**FOREIGN PATENT DOCUMENTS**

EM	001745308-0001	8/2010
EM	001687476-0001	9/2012

*Primary Examiner* — Ruth McInroy

(74) *Attorney, Agent, or Firm* — Ladas & Parry LLP

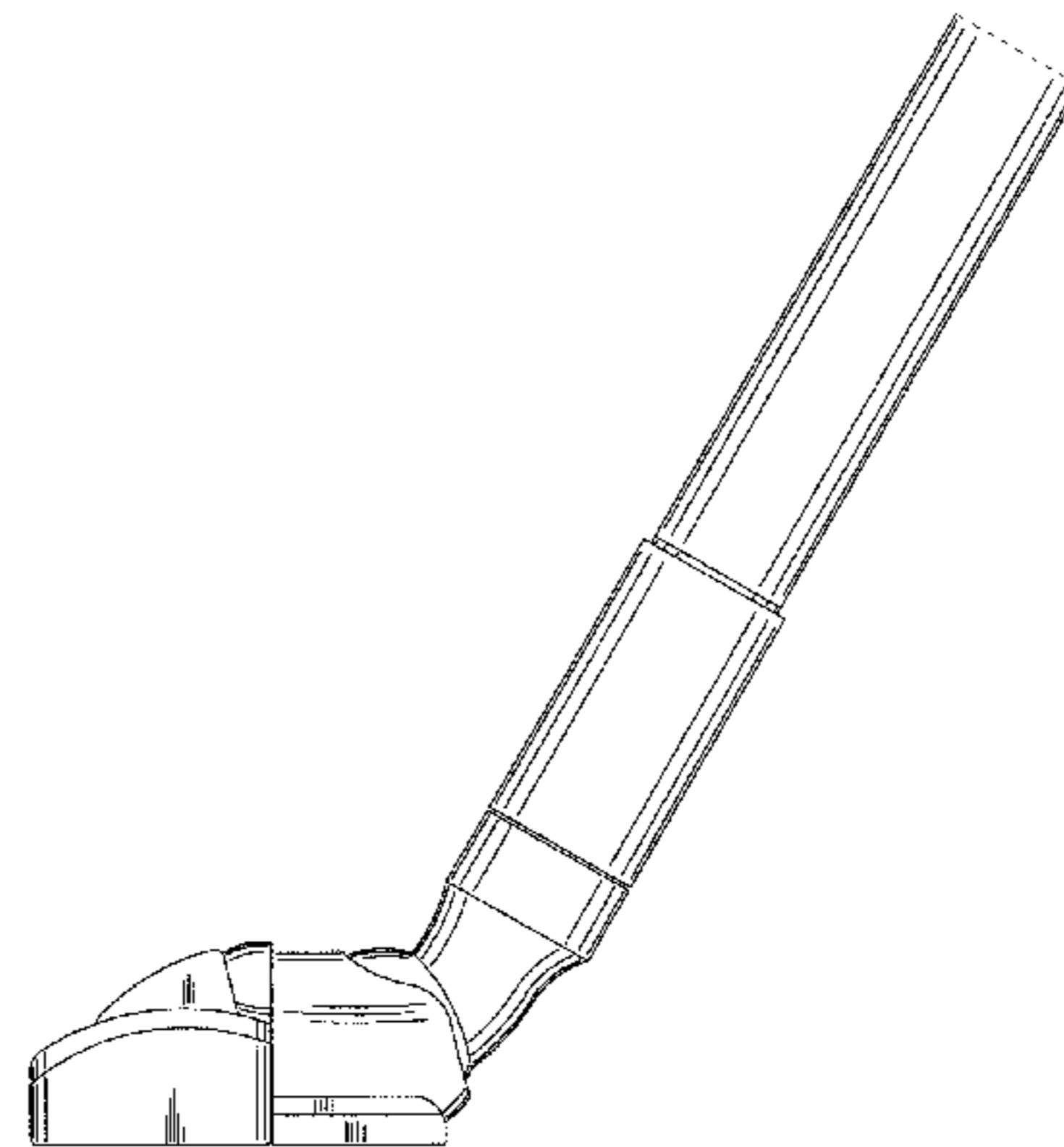
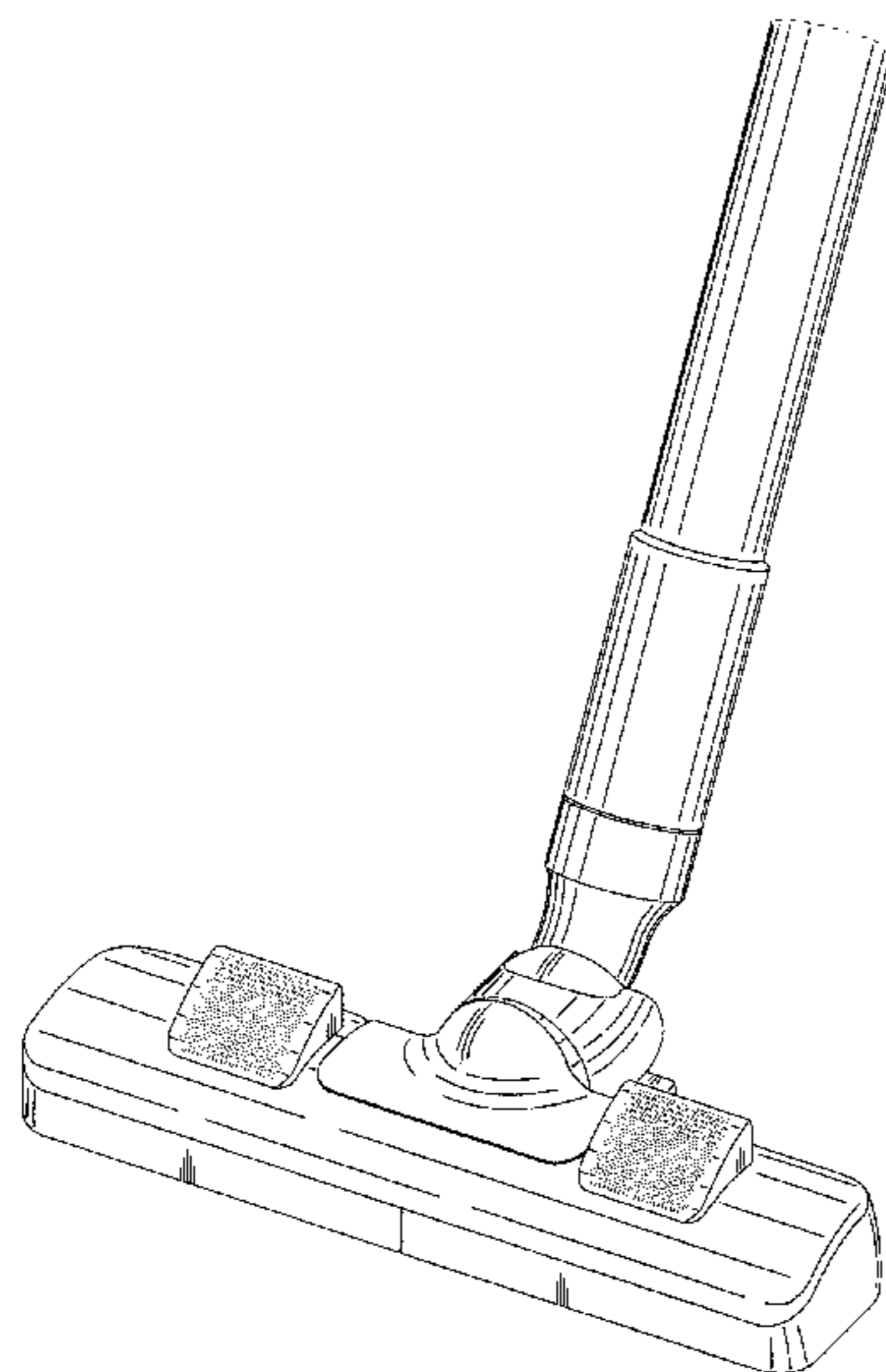
(57) **CLAIM**

We claim the ornamental design for the brush for vacuum cleaner, as shown and described.

**DESCRIPTION**

FIG. 1 is the front perspective view of the brush for vacuum cleaner which the extendable wings are in a closed position showing our new design;  
 FIG. 2 is the front view thereof;  
 FIG. 3 is the rear view thereof;  
 FIG. 4 is the left-side view thereof;  
 FIG. 5 is the right-side view thereof;  
 FIG. 6 is the top plan view thereof;  
 FIG. 7 is the bottom plan view thereof;  
 FIG. 8 is a front perspective view thereof showing the extendable wings stretched out in an alternate position;  
 FIG. 9 is a front view of FIG. 8;  
 FIG. 10 is a rear view of FIG. 8;  
 FIG. 11 is a left-side view of FIG. 8;  
 FIG. 12 is a right-side view of FIG. 8;  
 FIG. 13 is a top plan view of FIG. 8; and,  
 FIG. 14 is a bottom plan view of FIG. 8.  
 The broken lines in the drawing show unclaimed environment only and form no part of the claimed design.

**1 Claim, 14 Drawing Sheets**



(56)

**References Cited**

U.S. PATENT DOCUMENTS

2007/0089263 A1\* 4/2007 Song ..... A47L 9/0081  
15/415.1  
2009/0049642 A1\* 2/2009 Oh ..... A47L 9/06  
15/332  
2012/0151713 A1\* 6/2012 Krebs ..... A47L 9/0626  
15/415.1  
2012/0227211 A1\* 9/2012 Hwang ..... A47L 9/0483  
15/415.1  
2016/0058255 A1\* 3/2016 Kim ..... A47L 9/02  
15/327.1

\* cited by examiner

FIG.1

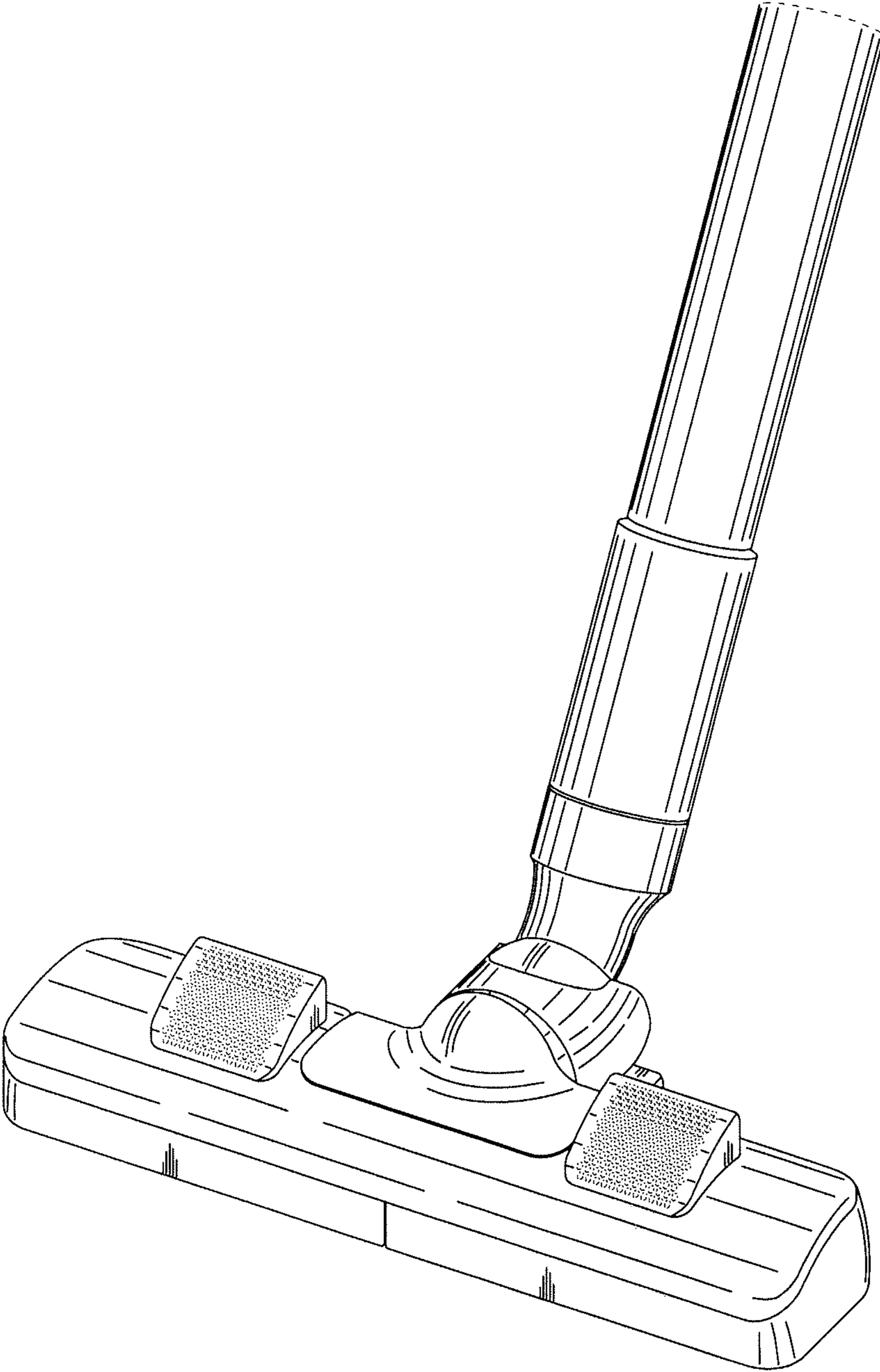


FIG.2

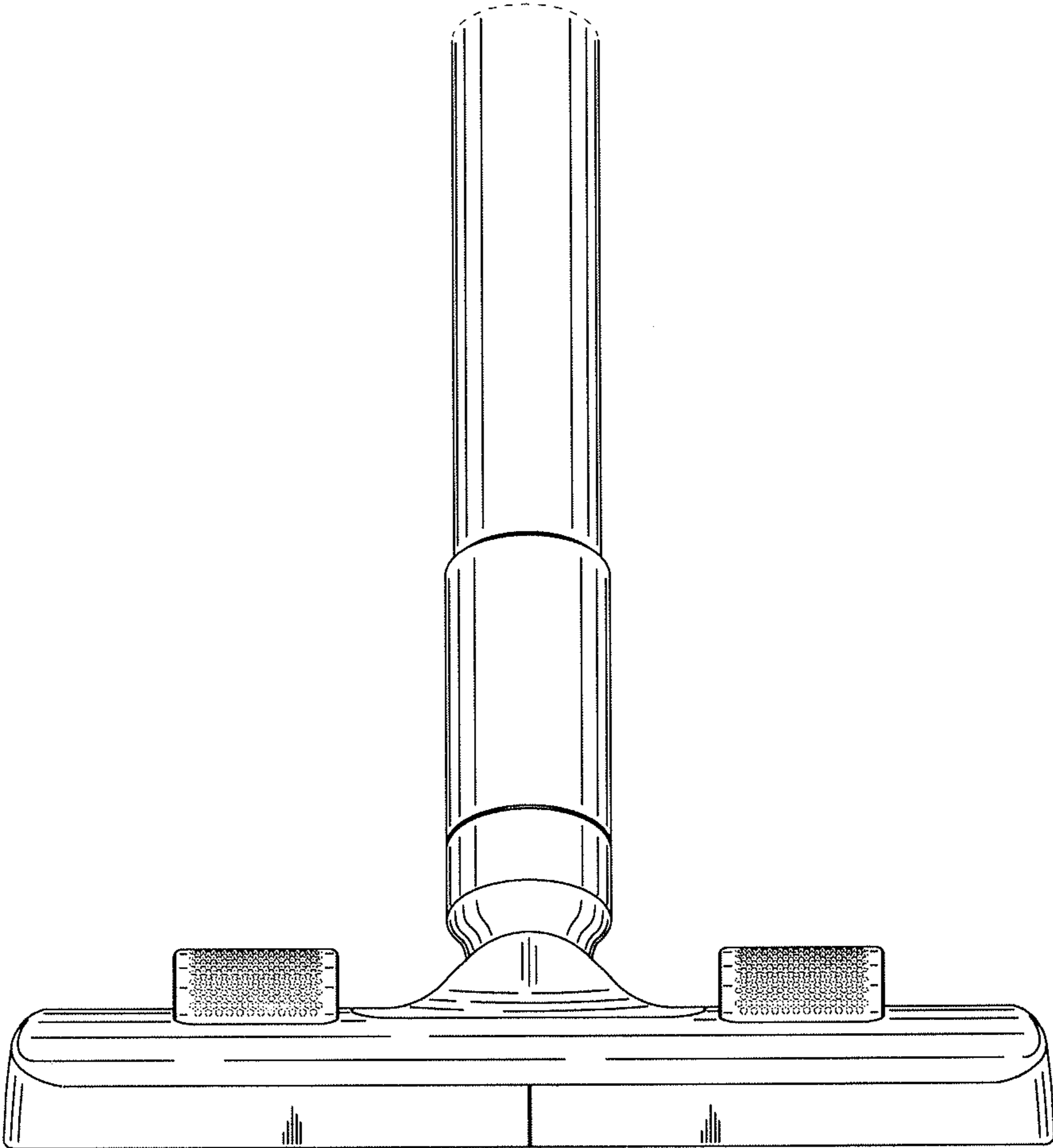


FIG.3

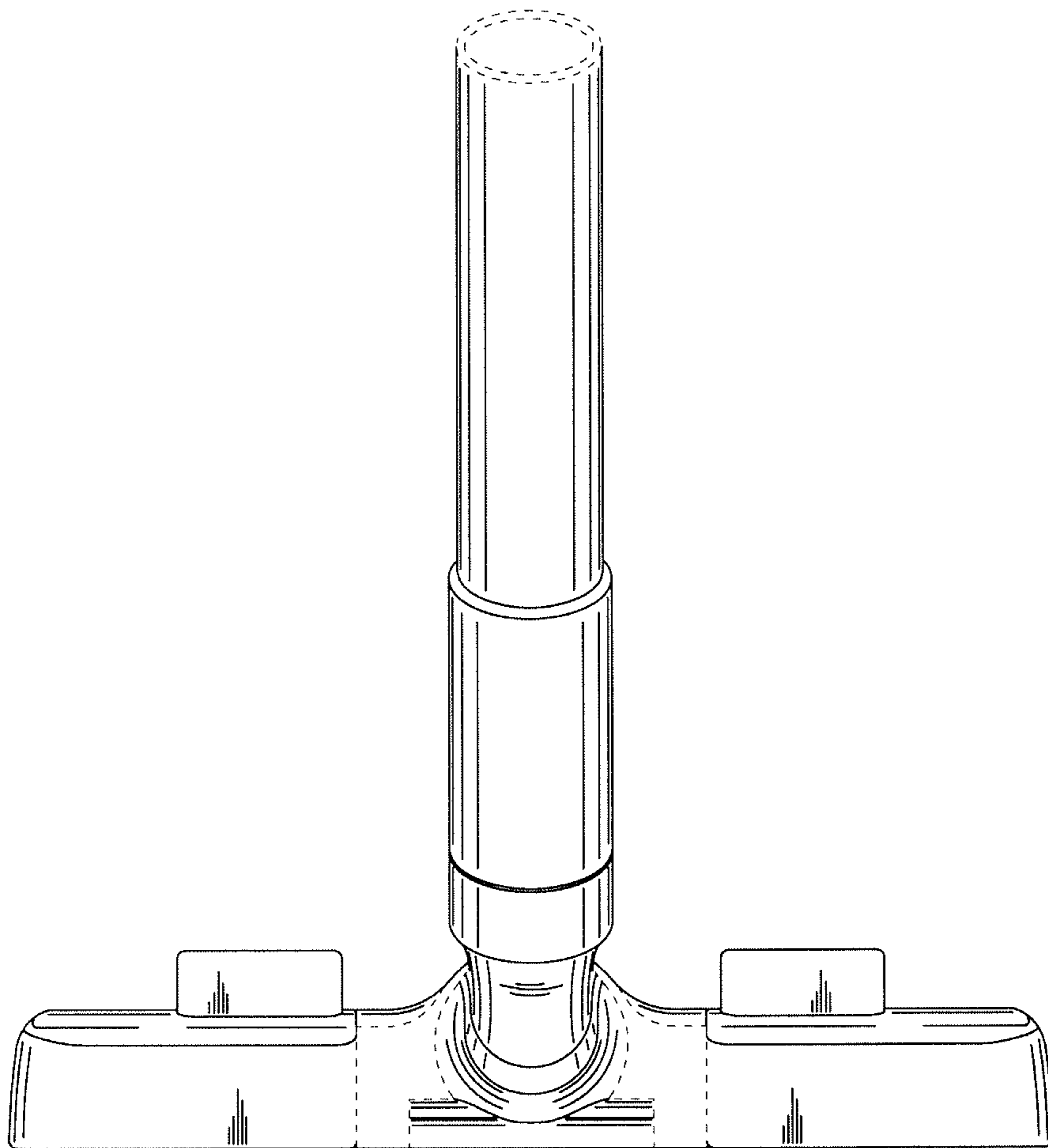


FIG.4

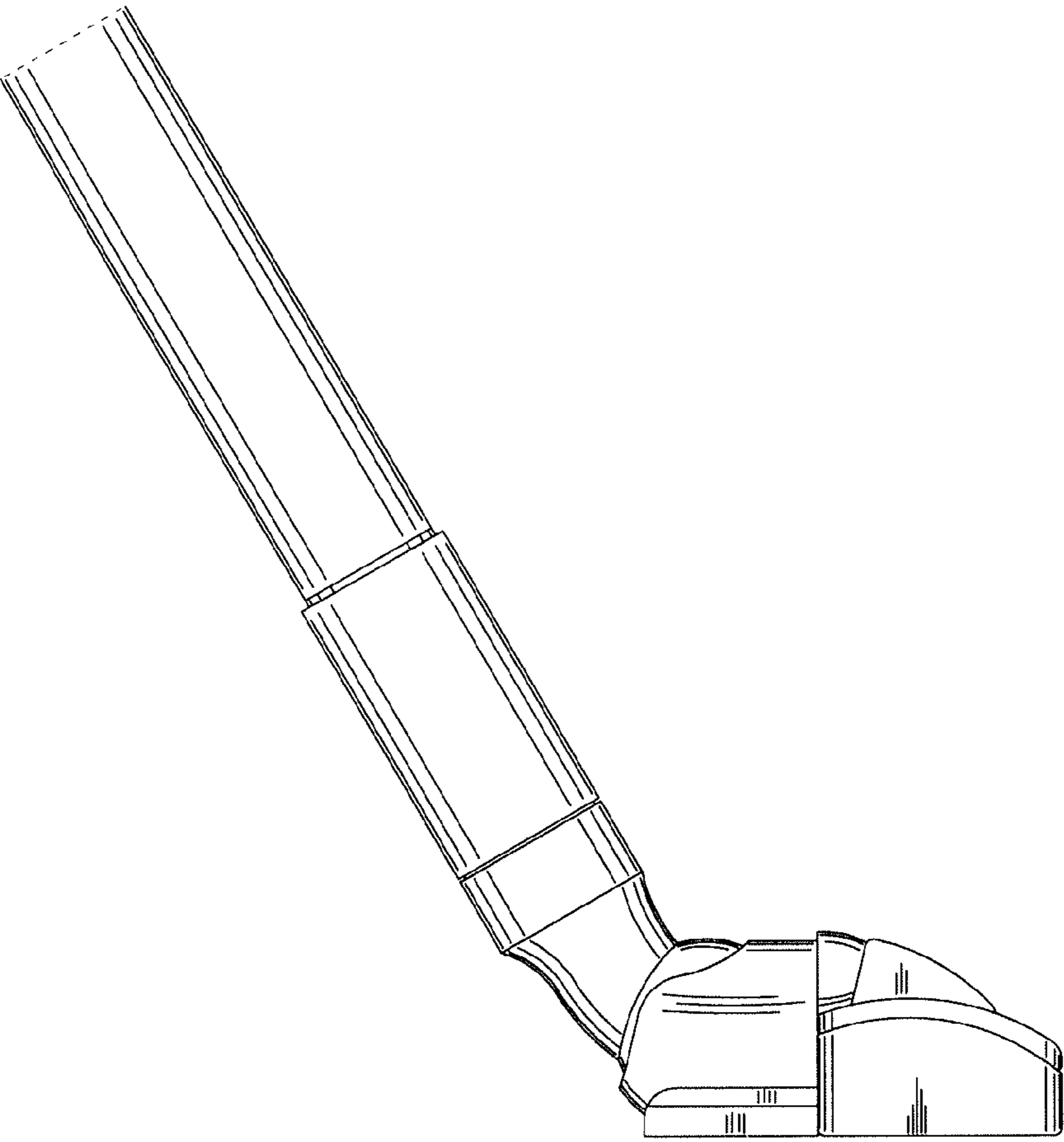




FIG.5

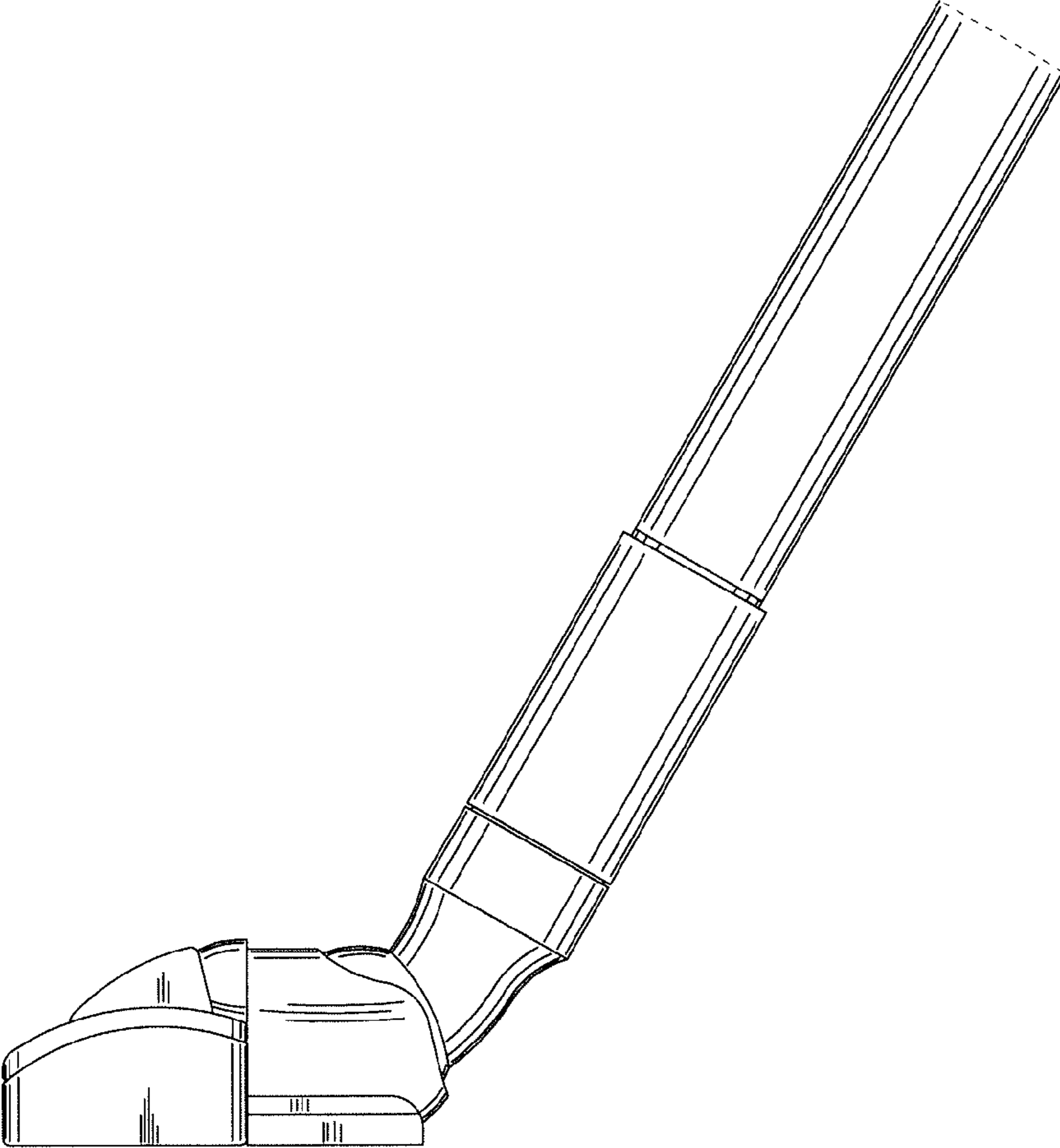


FIG.6

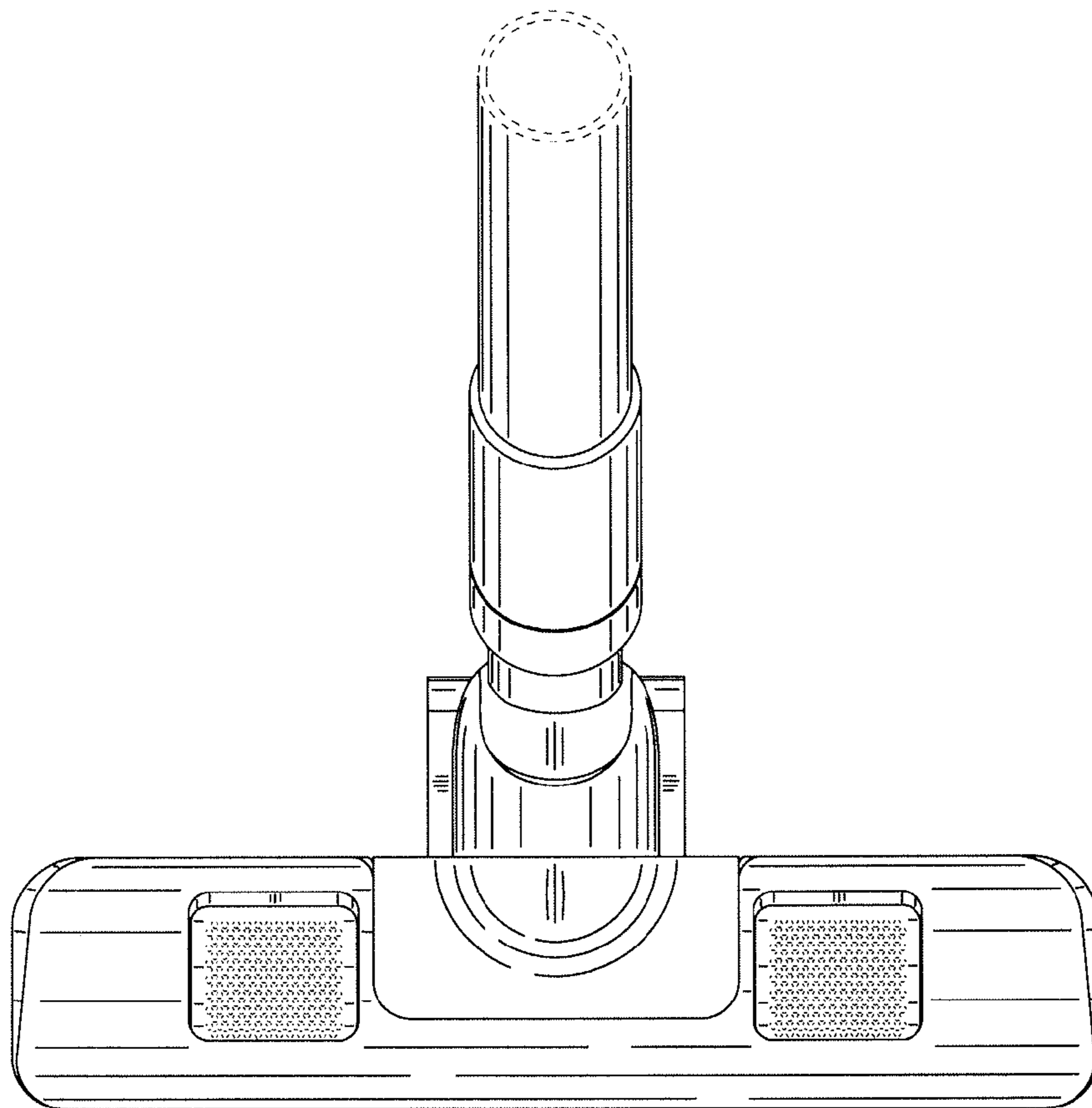




FIG.7

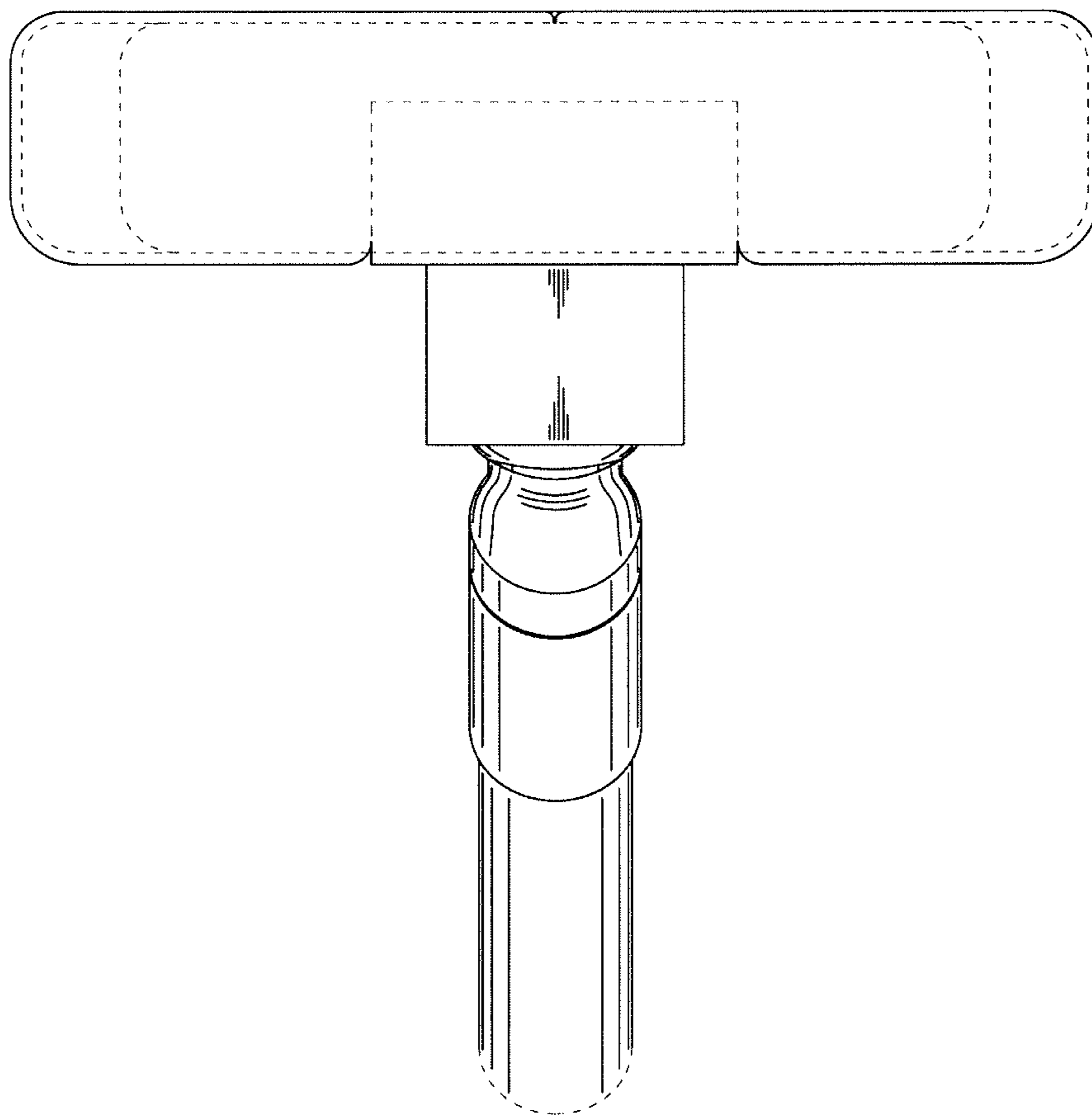


FIG.8

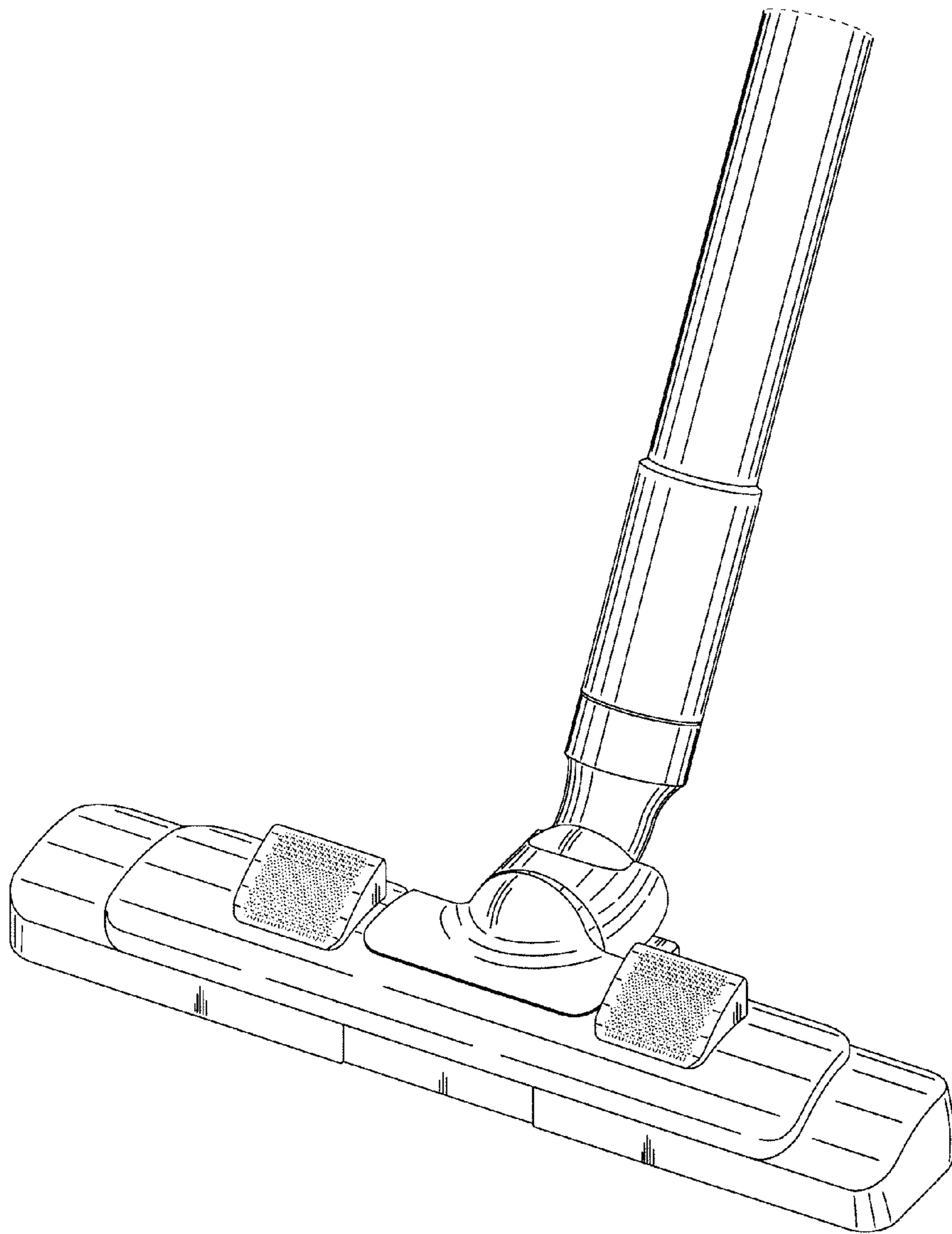


FIG.9

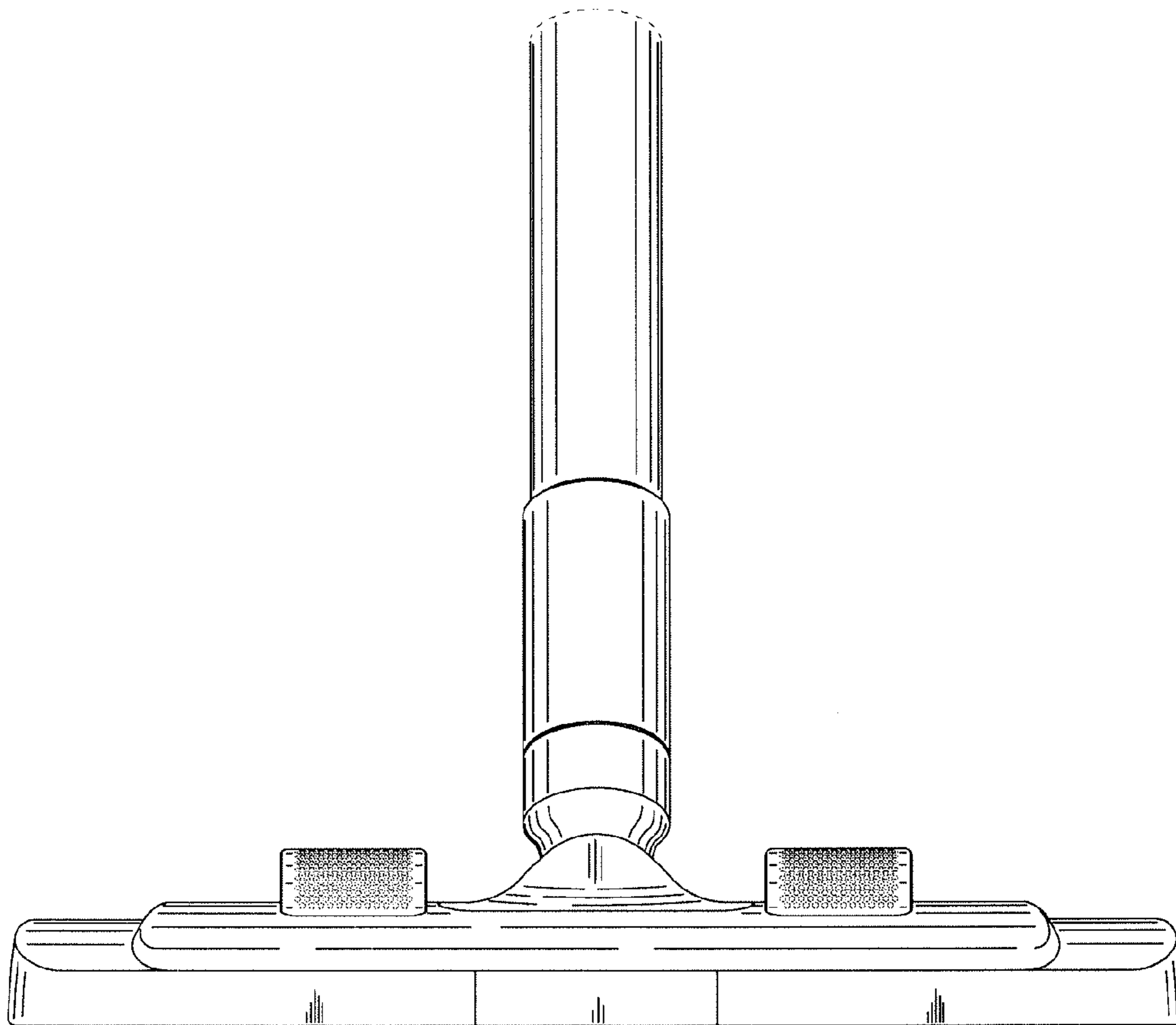


FIG.10

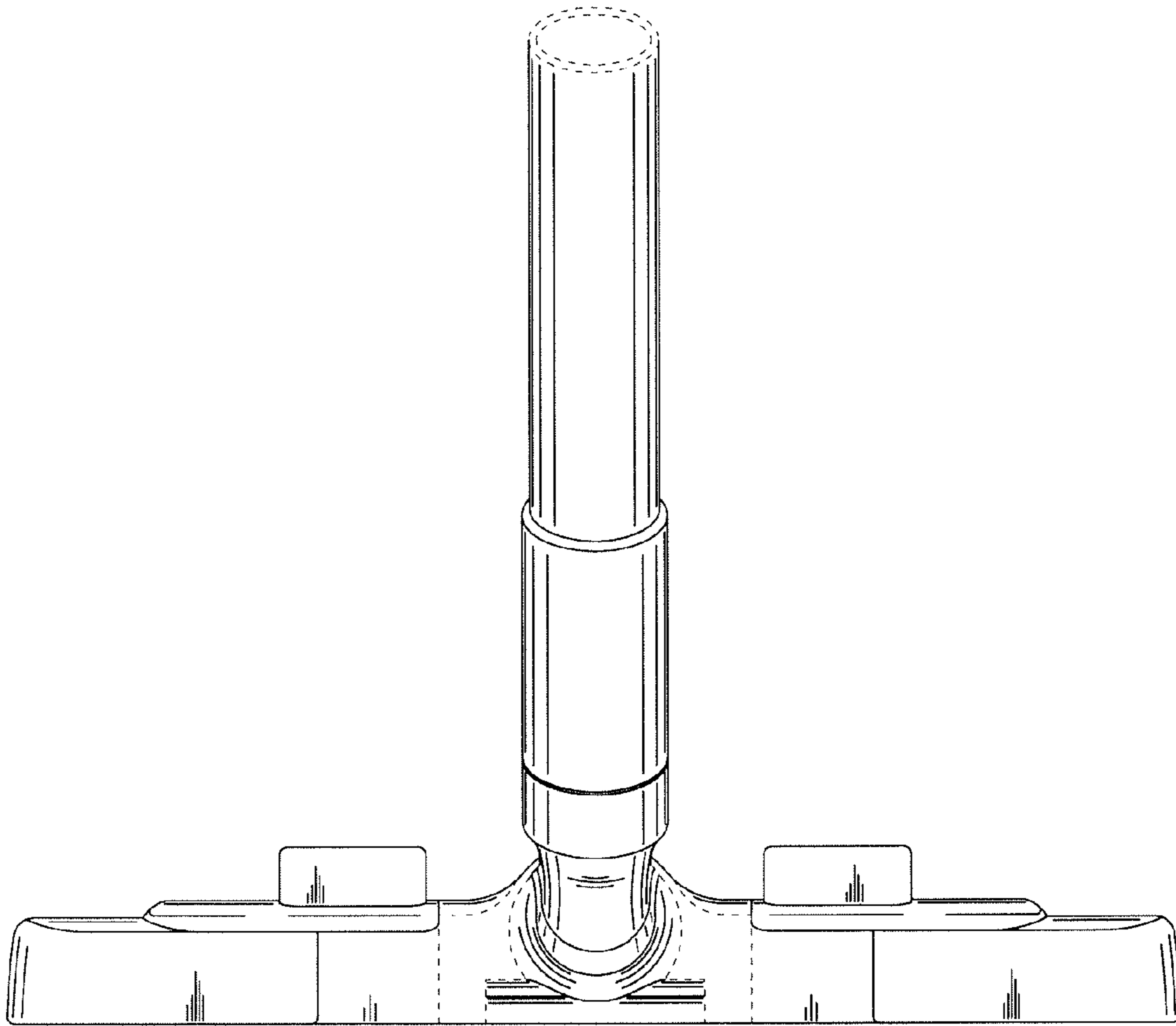


FIG.11

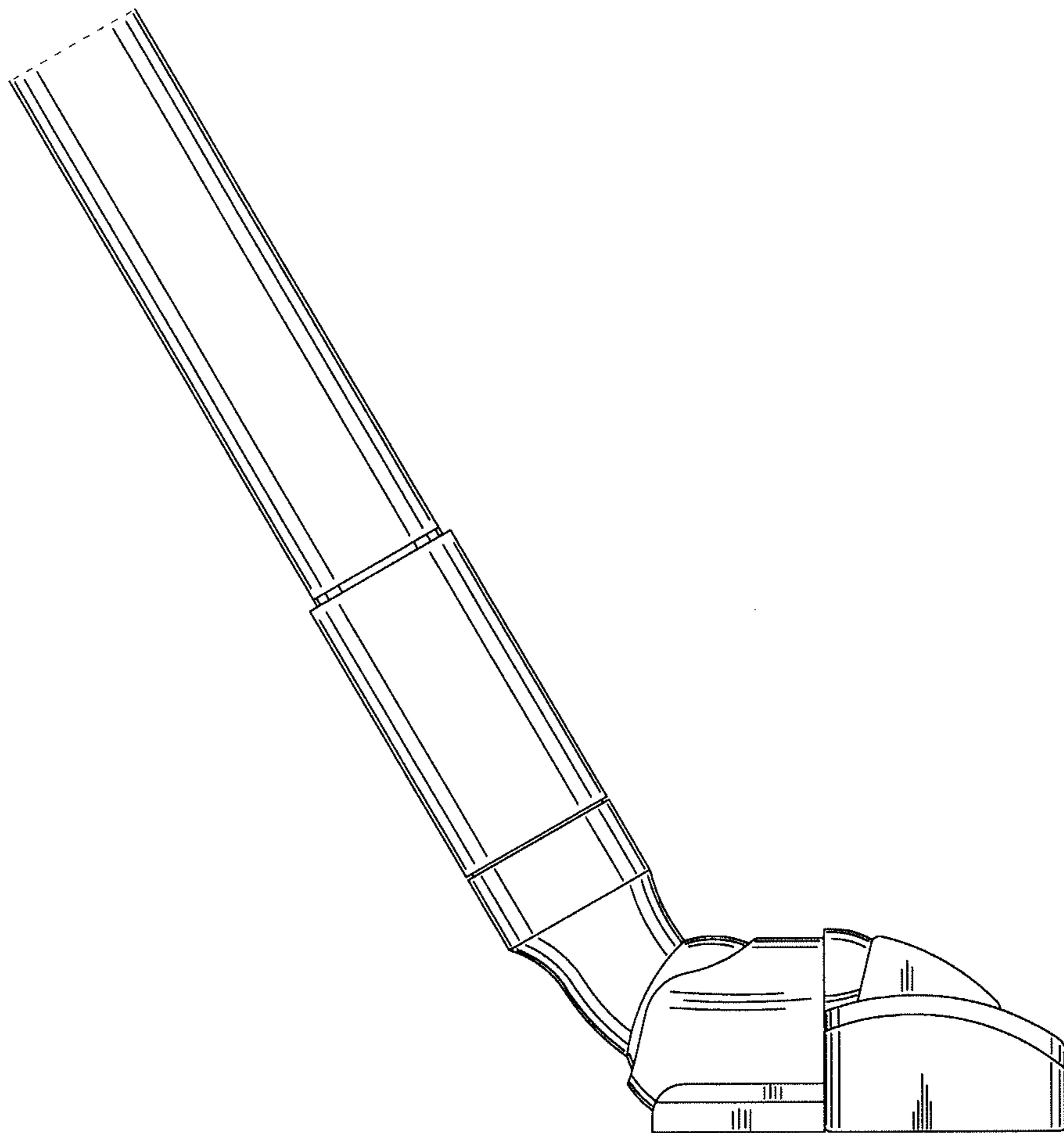


FIG.12

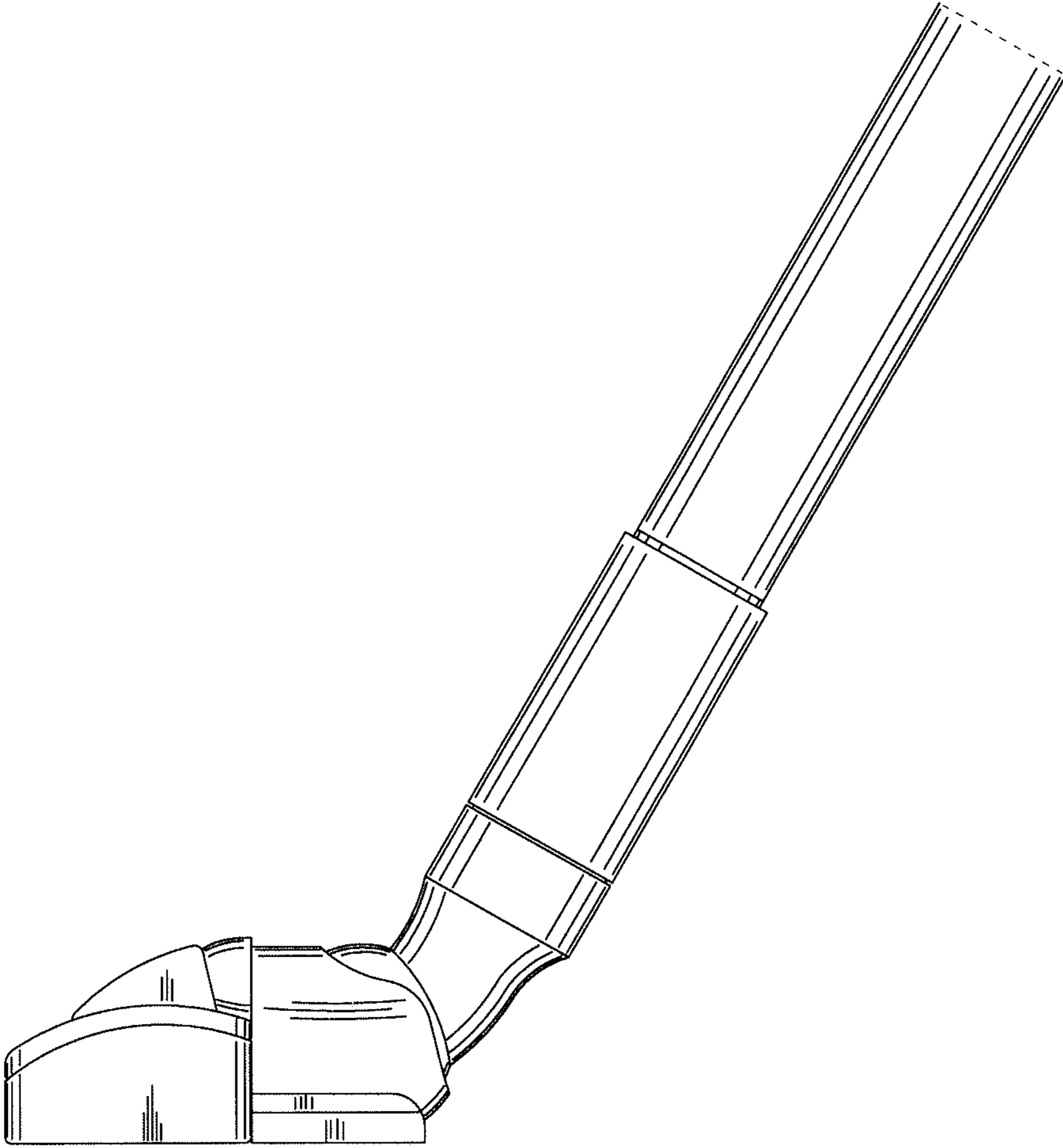


FIG.13

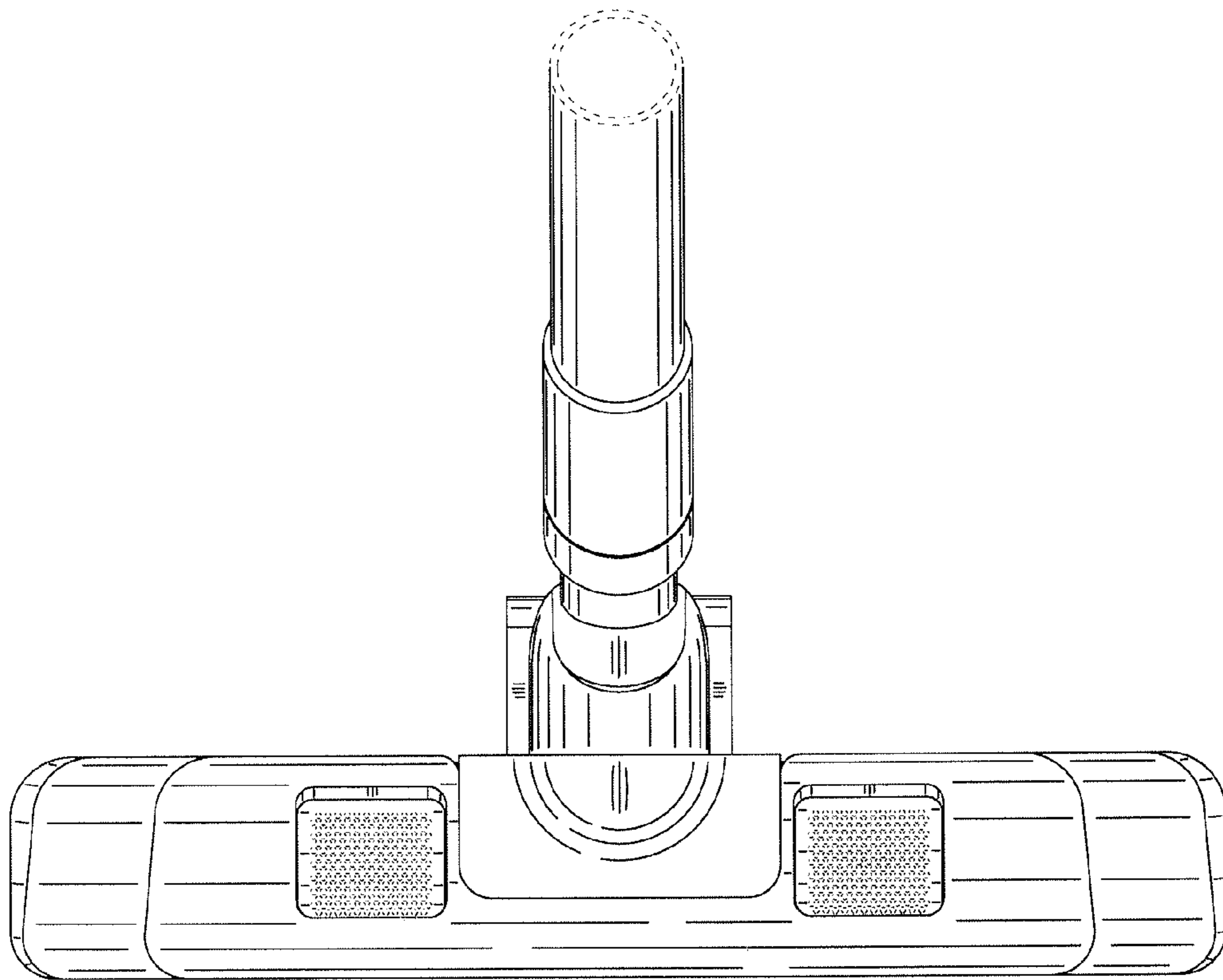




FIG.14

