



US00D776378S

(12) **United States Design Patent**
Blouin et al.

(10) **Patent No.:** **US D776,378 S**

(45) **Date of Patent:** **** *Jan. 10, 2017**

(54) **FLOOR CLEANING ROLLER CORE**

(71) Applicant: **iRobot Corporation**, Bedford, MA
(US)

(72) Inventors: **Matthew Blouin**, Townsend, MA (US);
Gao Ke Ting, Futian District (CN)

(73) Assignee: **iRobot Corporation**, Bedford, MA
(US)

(*) Notice: This patent is subject to a terminal disclaimer.

(**) Term: **14 Years**

(21) Appl. No.: **29/517,617**

(22) Filed: **Feb. 13, 2015**

(51) **LOC (10) Cl.** **15-05**

(52) **U.S. Cl.**
USPC **D32/31**

(58) **Field of Classification Search**
USPC D32/21, 25, 31
CPC A47L 5/30; A47L 11/4038; A47L 11/4041;
A47L 9/0477; A47L 9/0416; A47L
9/0422; A47L 9/2842
See application file for complete search history.

(56) **References Cited**

U.S. PATENT DOCUMENTS

D125,786 S *	3/1941	Schaad	15/182
D222,702 S *	12/1971	Schaefer et al.	D32/31
D431,698 S *	10/2000	Hoshide	D32/31
D471,332 S *	3/2003	Haegermarck	D32/31
D478,698 S *	8/2003	Mertes	D32/31
D518,258 S *	3/2006	Hamm	D32/31

D680,287 S *	4/2013	Morgan	D32/31
D680,289 S *	4/2013	Gray	D32/31
D681,291 S *	4/2013	Morgan	D32/31
D699,010 S *	2/2014	Gilbert, Jr.	D32/31
D716,510 S *	10/2014	Gilbert, Jr.	D32/31
8,881,339 B2	11/2014	Gilbert et al.		
8,955,192 B2	2/2015	Gilbert et al.		
D728,877 S *	5/2015	Therrien	D32/31
D747,052 S *	1/2016	Therrien	D32/31

OTHER PUBLICATIONS

U.S. Appl. No. 29/520,401, filed Mar. 13, 2015, Vacuum Roller.

* cited by examiner

Primary Examiner — Ruth McInroy

(74) *Attorney, Agent, or Firm* — Fish & Richardson P.C.

(57) **CLAIM**

The ornamental design for a floor cleaning roller core, as shown and described.

DESCRIPTION

FIG. 1 is a perspective view of a floor cleaning roller core showing our new design, with the roller tube cut away to show our core design;

FIG. 2 is an enlarged perspective view of the core in FIG. 1 (with the roller tube removed);

FIG. 3 is a front view thereof;

FIG. 4 is a cross-sectional view taken along line 4-4 in FIG. 3;

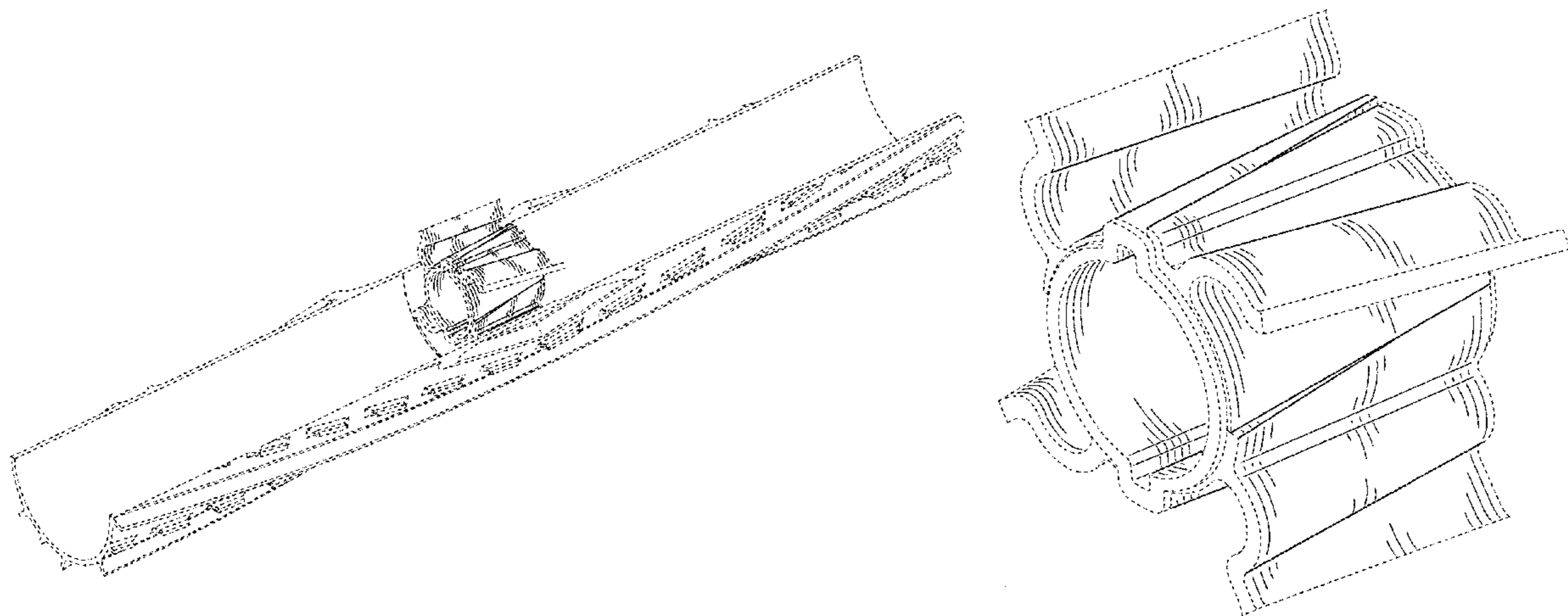
FIG. 5 is a cross-sectional view taken along line 5-5 in FIG. 3;

FIG. 6 is an enlarged right end view thereof; and,

FIG. 7 is an enlarged left end view thereof.

The broken lines illustrate environmental features that form no part of the claimed design.

1 Claim, 7 Drawing Sheets



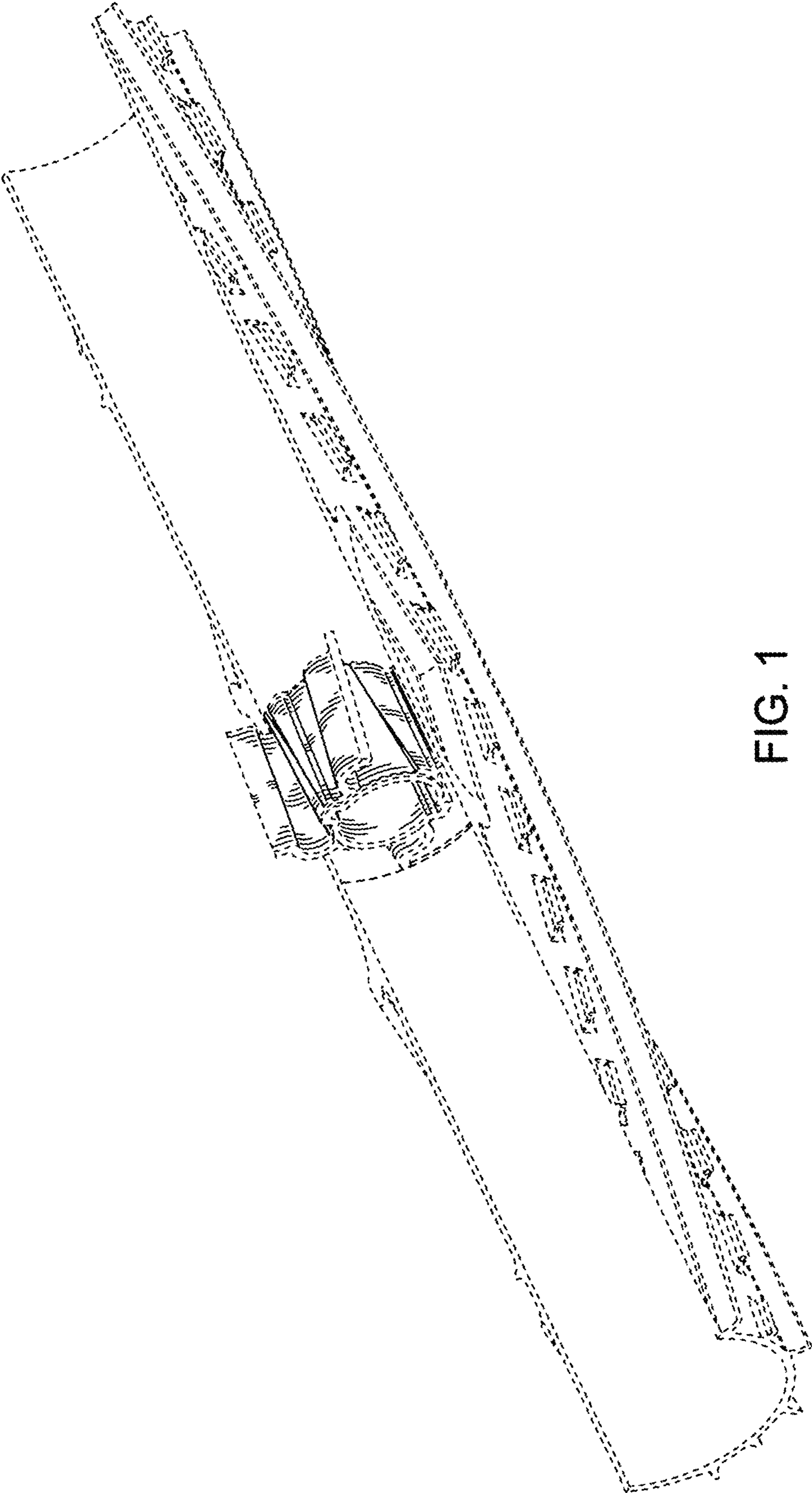


FIG. 1

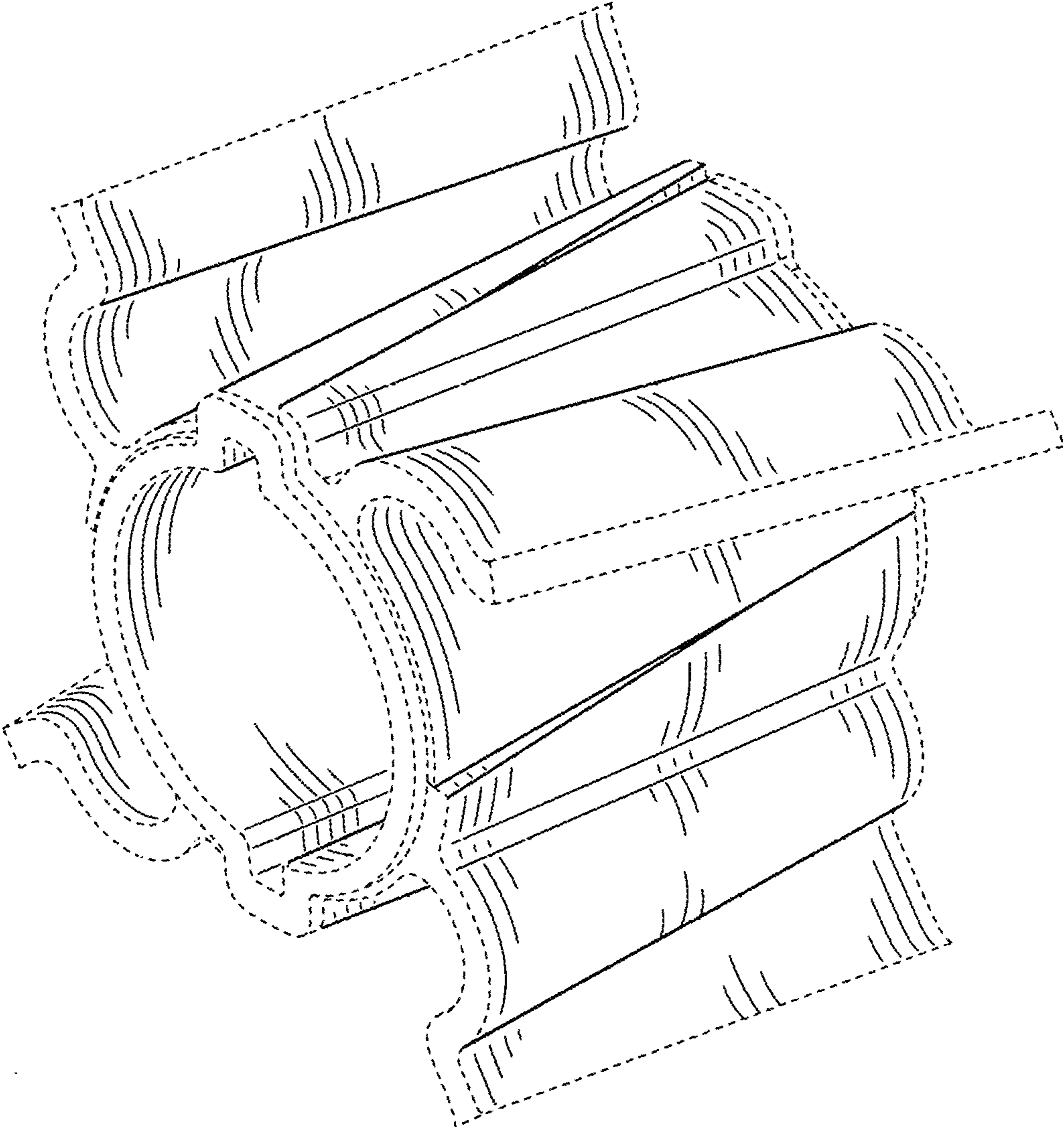


FIG. 2

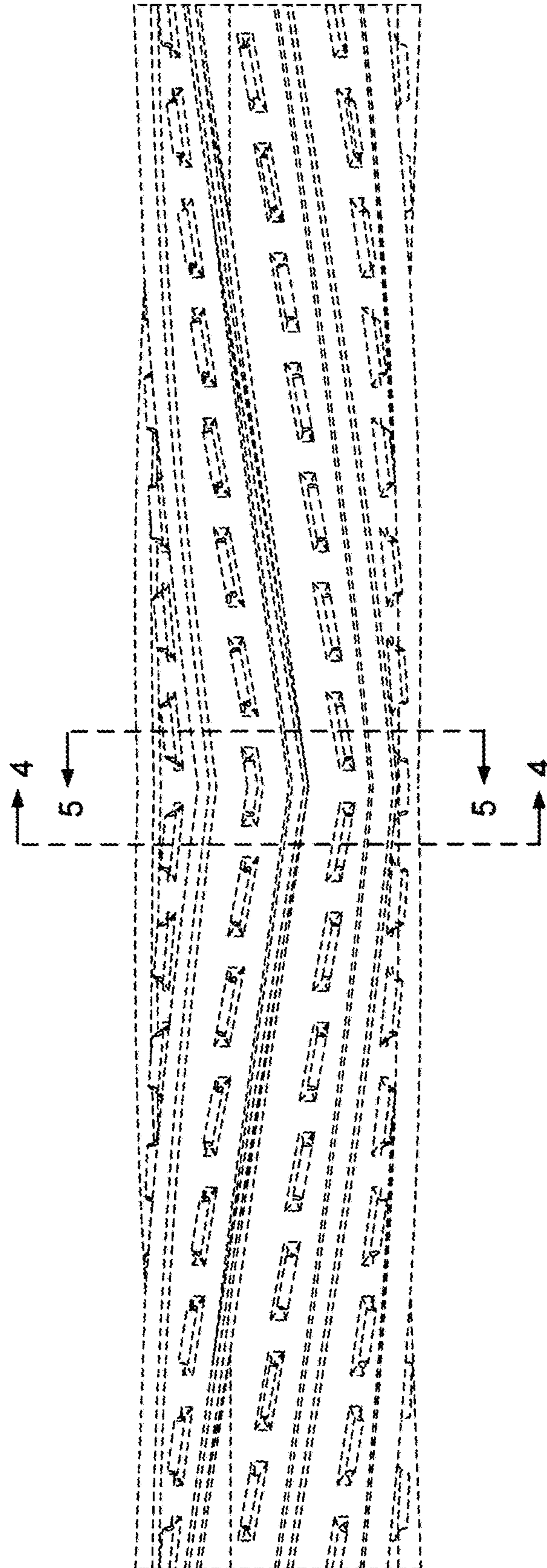


FIG. 3

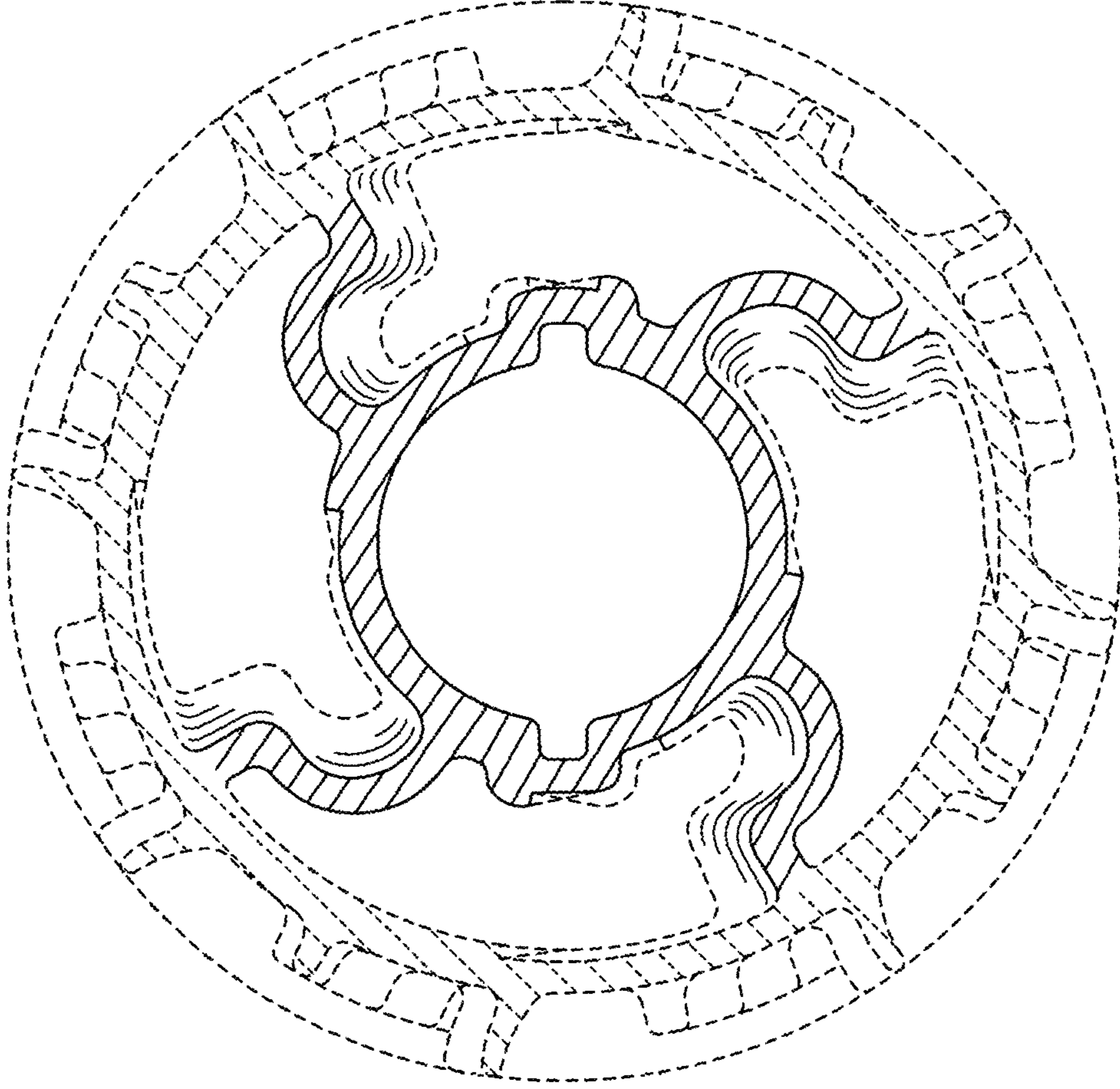


FIG. 4

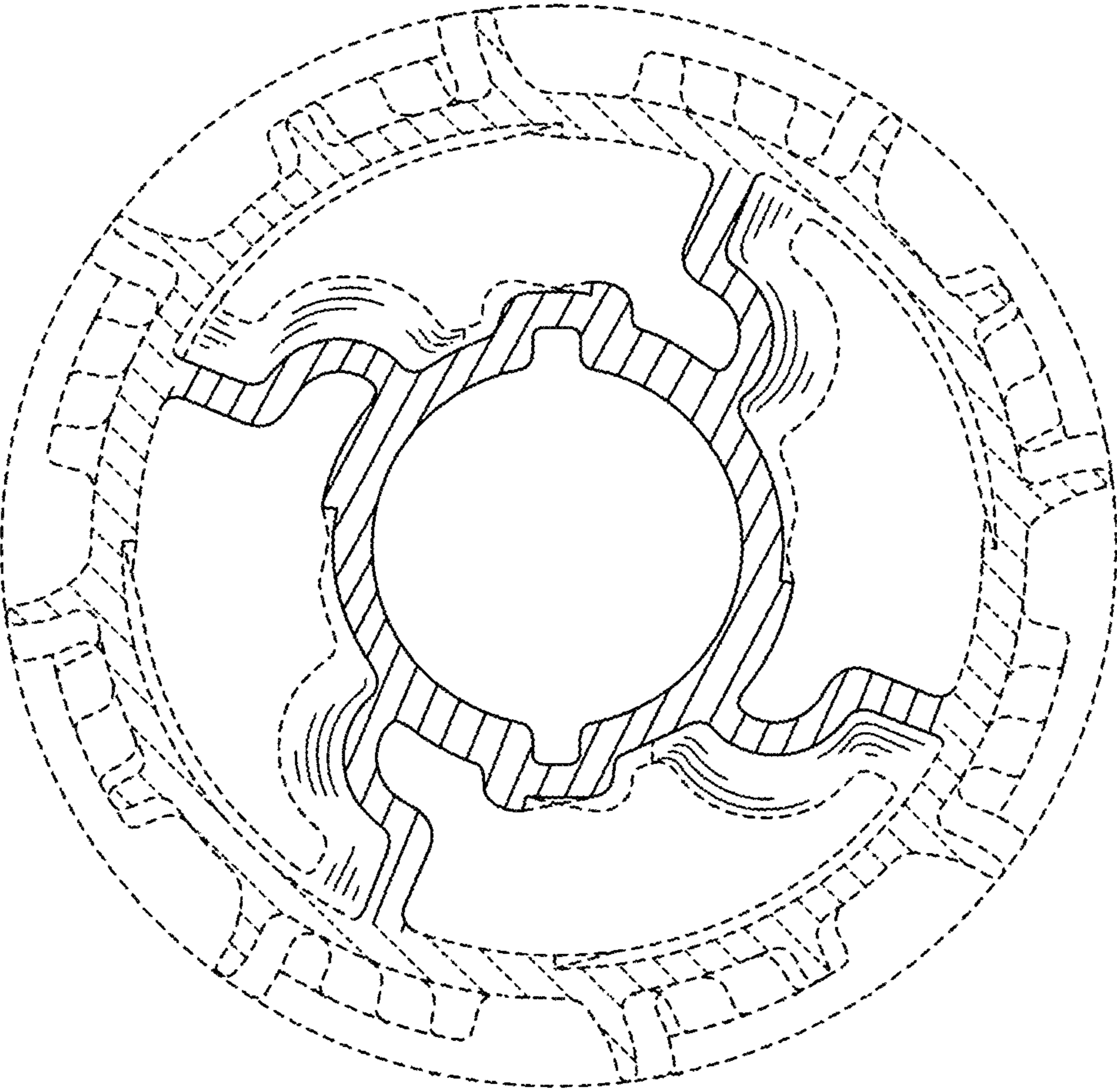


FIG. 5

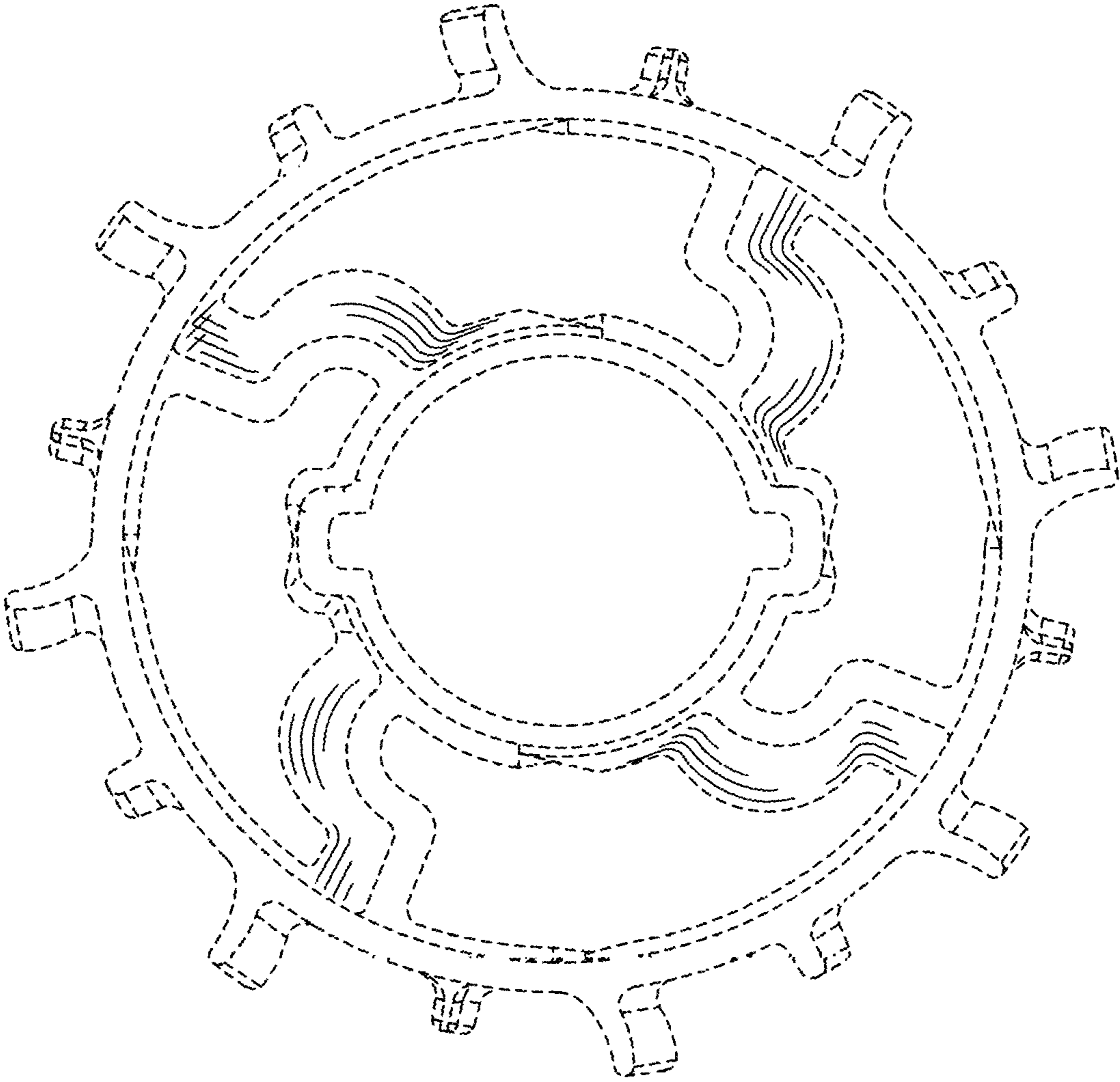


FIG. 6

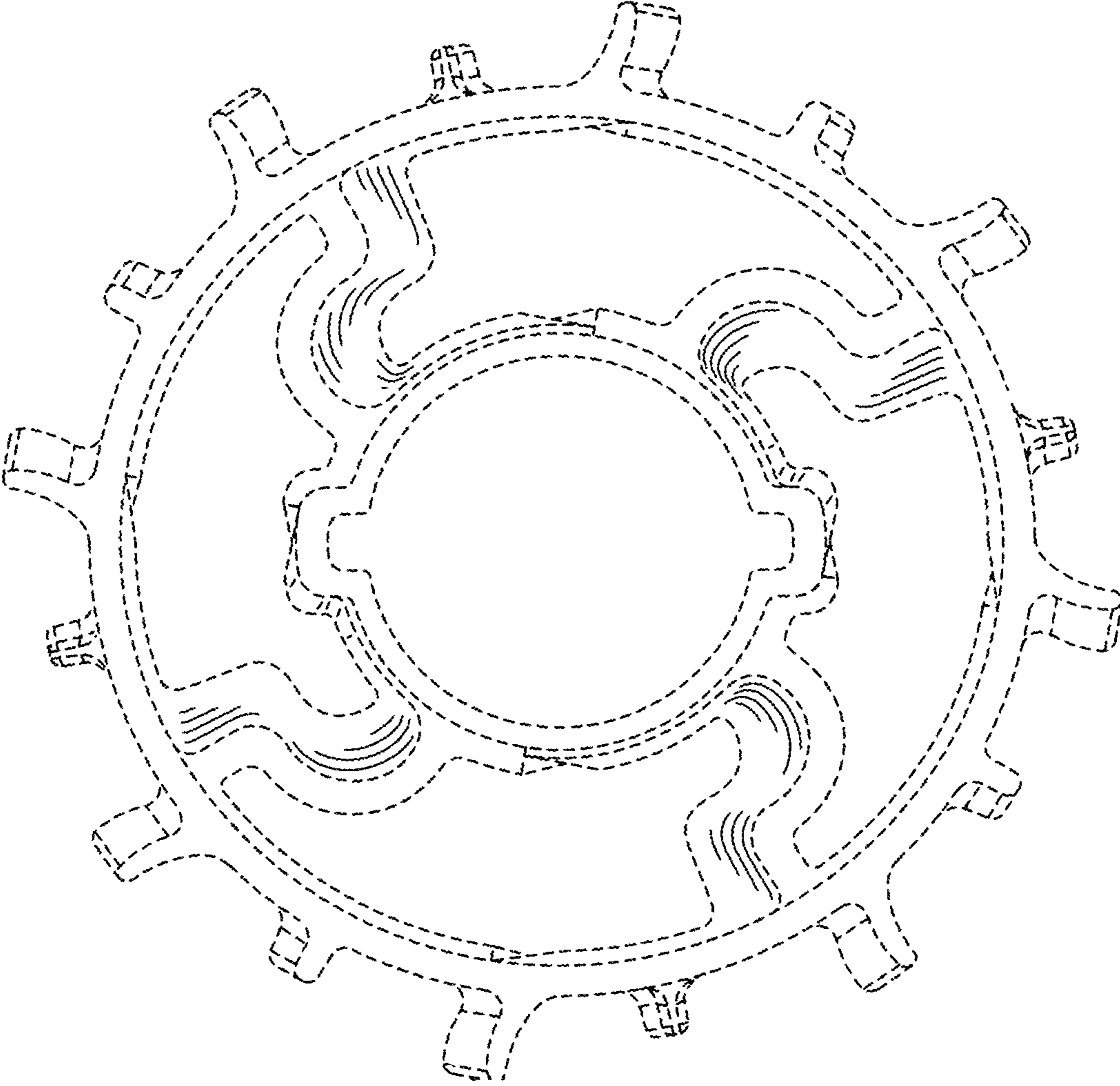


FIG. 7