



US00D776377S

(12) **United States Design Patent**
Kim

(10) **Patent No.:** **US D776,377 S**
(45) **Date of Patent:** **** Jan. 10, 2017**

- (54) **WASHING MACHINE TUB**
- (71) Applicant: **LG ELECTRONICS INC.**, Seoul (KR)
- (72) Inventor: **Keunjoo Kim**, Seoul (KR)
- (73) Assignee: **LG ELECTRONICS INC.**, Seoul (KR)
- (**) Term: **15 Years**
- (21) Appl. No.: **29/545,179**
- (22) Filed: **Nov. 10, 2015**
- (30) **Foreign Application Priority Data**
Jun. 19, 2015 (KR) 30-2015-0031138
- (51) **LOC (10) Cl.** **15-05**
- (52) **U.S. Cl.**
USPC **D32/29**
- (58) **Field of Classification Search**
USPC ... D32/1-6, 8, 10, 25, 28, 29; 312/228, 236, 312/294; 68/3 R, 5 R, 235 R, 196, 212; 34/108, 34/130-132, 595-597; 8/137
CPC D06F 37/22; D06F 37/28; D06F 39/12; D06F 39/22; D06F 58/06; D06F 58/08
See application file for complete search history.

- (56) **References Cited**
U.S. PATENT DOCUMENTS
D663,911 S * 7/2012 Link D32/29.1
9,096,965 B2 * 8/2015 Hong D06F 37/02
2010/0206015 A1 * 8/2010 Mancini D06F 37/26
68/3 R
2011/0298338 A1 * 12/2011 Kim D06F 29/00
312/109
2012/0089258 A1 * 4/2012 Wong D06F 35/007
700/279

- 2014/0033772 A1 * 2/2014 Jung D06F 37/145
68/131
- 2014/0190218 A1 * 7/2014 Jung F16F 15/167
68/139
- 2014/0202217 A1 * 7/2014 Hong D06F 37/02
68/140
- 2015/0008807 A1 * 1/2015 Kim D06F 39/14
312/228
- 2015/0121972 A1 * 5/2015 Kim D06F 39/12
68/3 R
- 2015/0123521 A1 * 5/2015 Lee D06F 39/14
312/228
- 2015/0211167 A1 * 7/2015 Kim D06F 31/00
68/140
- 2015/0211168 A1 * 7/2015 Bonlender D06F 37/304
8/137
- 2015/0233044 A1 * 8/2015 Liu D06F 49/04
34/108

(Continued)

Primary Examiner — Rosemary K Tarcza
Assistant Examiner — Yolanda Robinson
(74) *Attorney, Agent, or Firm* — Birch, Stewart, Kolasch & Birch, LLP

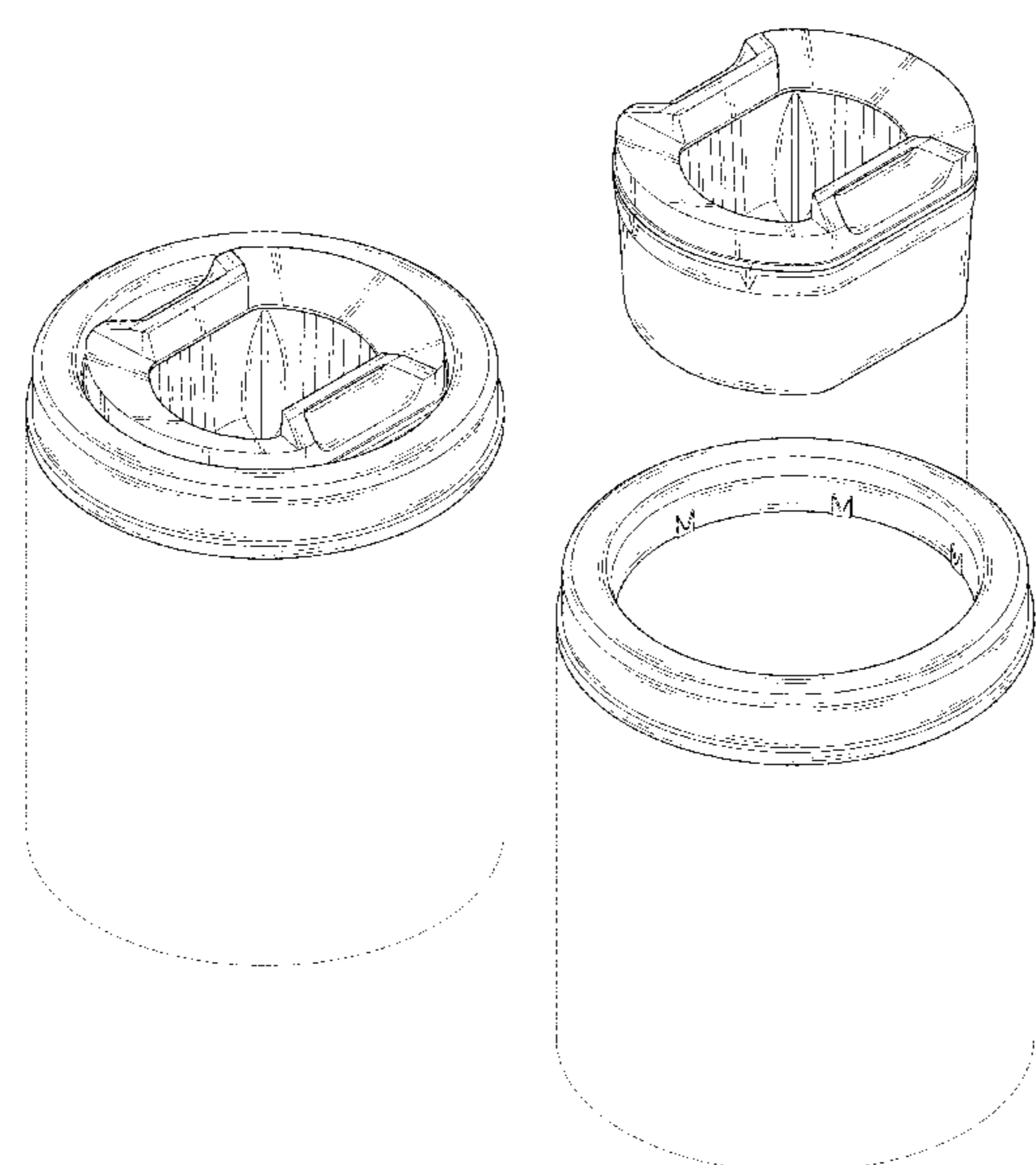
(57) **CLAIM**

I claim the ornamental design for a washing machine tub, as shown and described.

DESCRIPTION

FIG. 1 is a perspective view of a washing machine tub showing my new design;
FIG. 2 is a front elevation view thereof;
FIG. 3 is a rear elevation view thereof;
FIG. 4 is a left-side elevation view thereof;
FIG. 5 is a right-side elevation view thereof;
FIG. 6 is a top plan view thereof; and
FIG. 7 is a bottom plan view thereof; and,
FIG. 8 is an exploded perspective view thereof.
The broken lines represent unclaimed portions of the washing machine tub and form no part of the claimed design.

1 Claim, 7 Drawing Sheets



(56)

References Cited

U.S. PATENT DOCUMENTS

2015/0368850 A1* 12/2015 Seo D06F 39/083
68/3 R
2015/0376828 A1* 12/2015 Seo D06F 29/00
68/3 R

* cited by examiner

FIG. 1

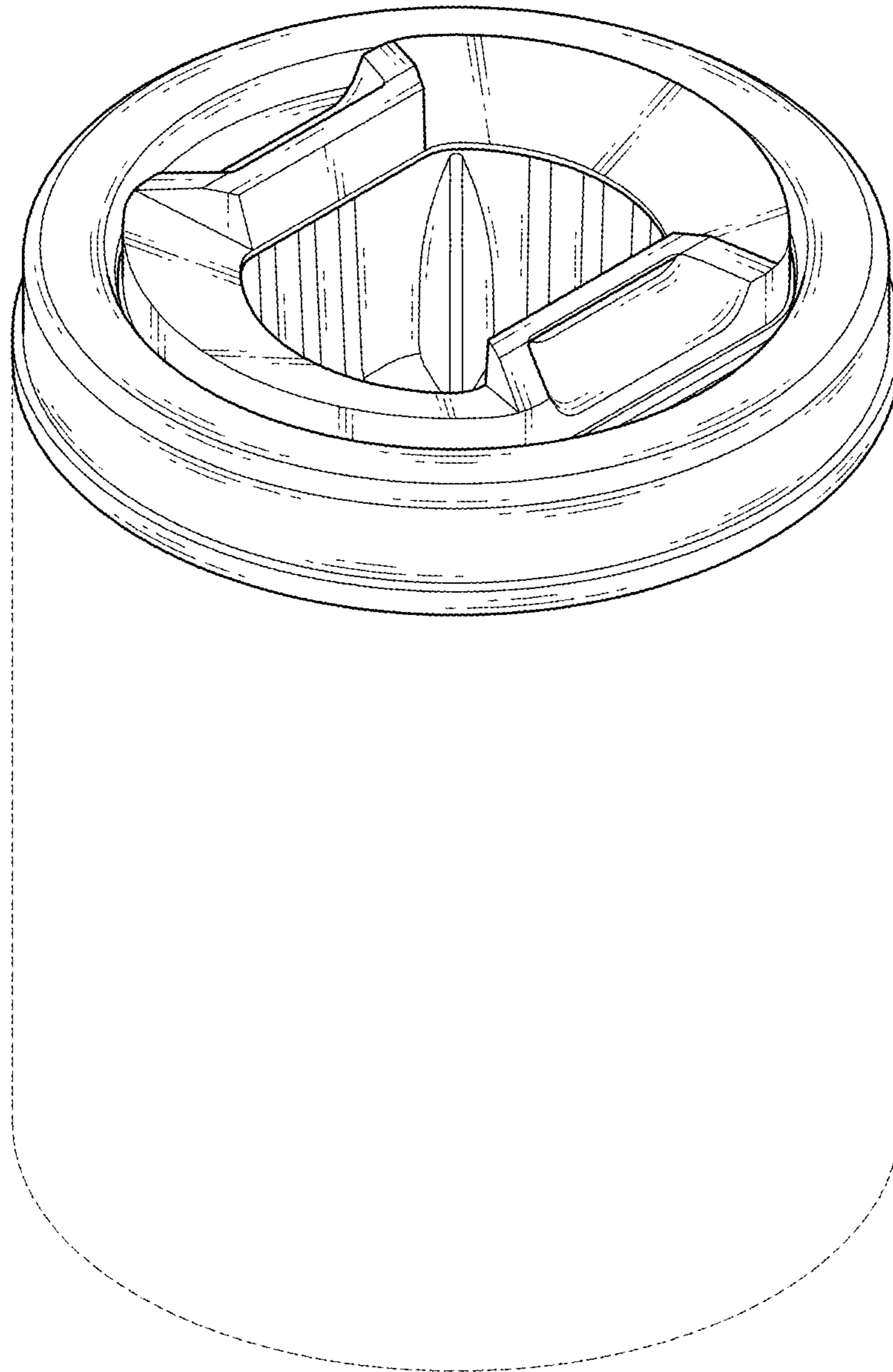


FIG. 2

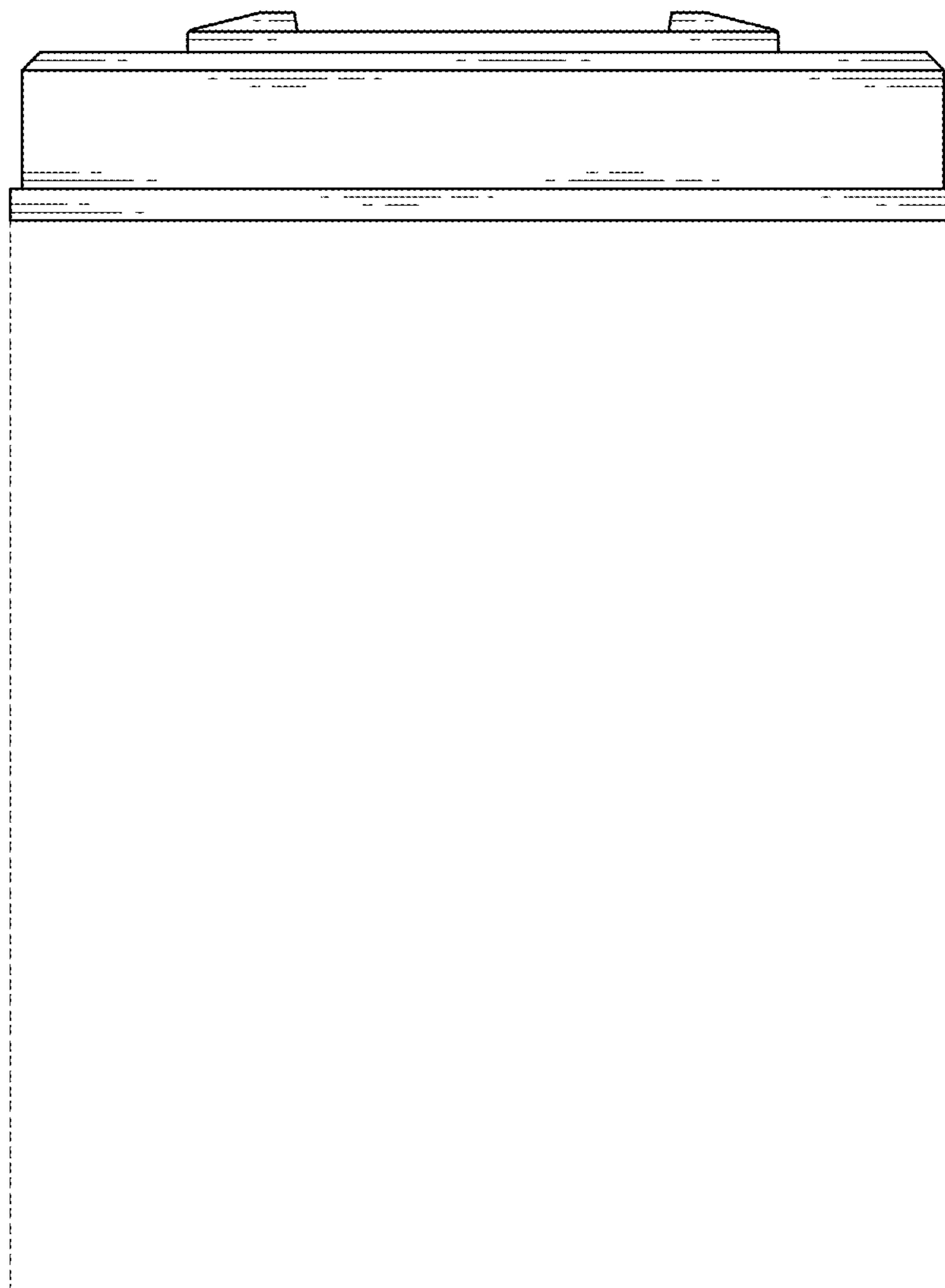


FIG. 3

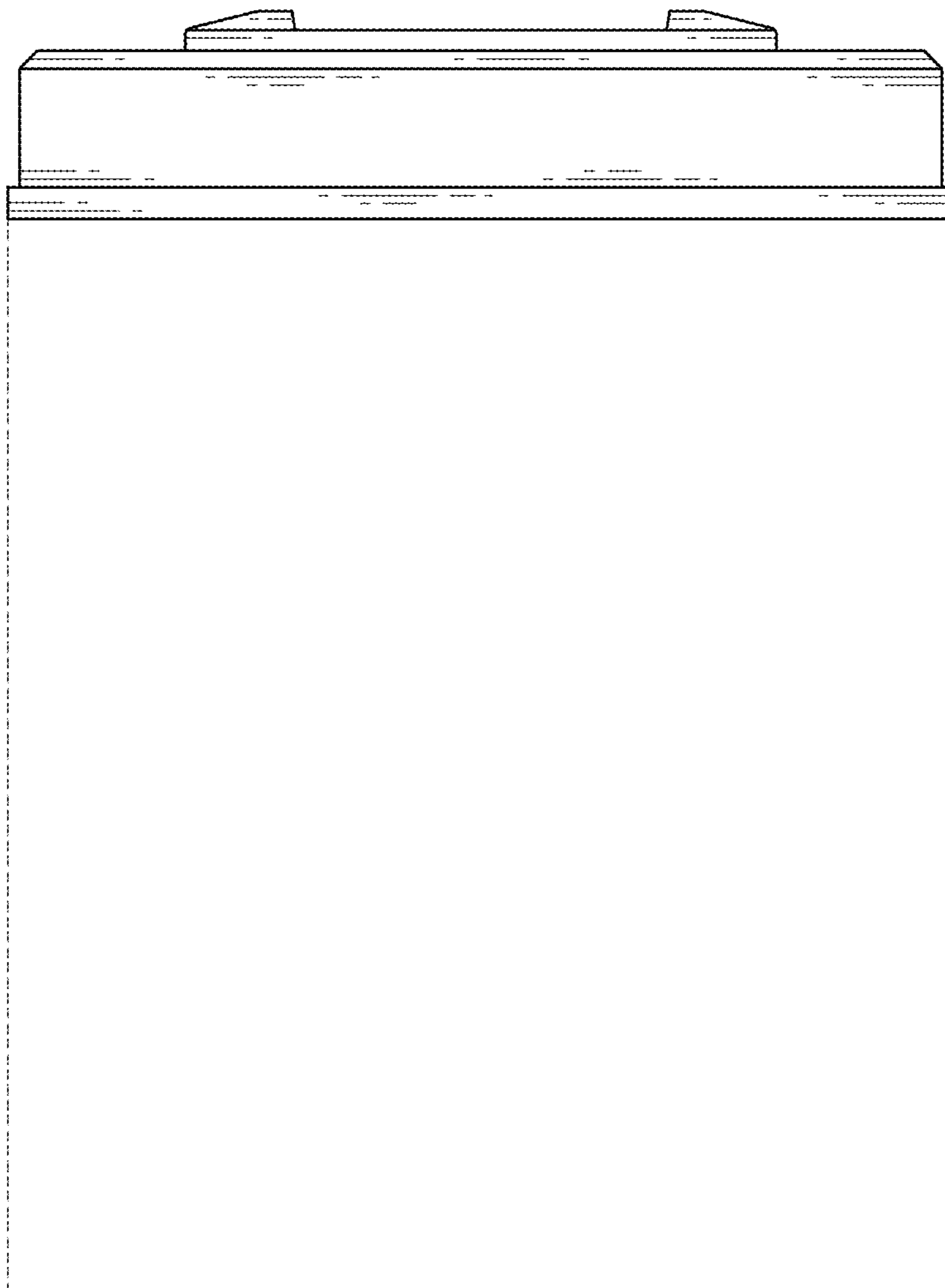


FIG. 4

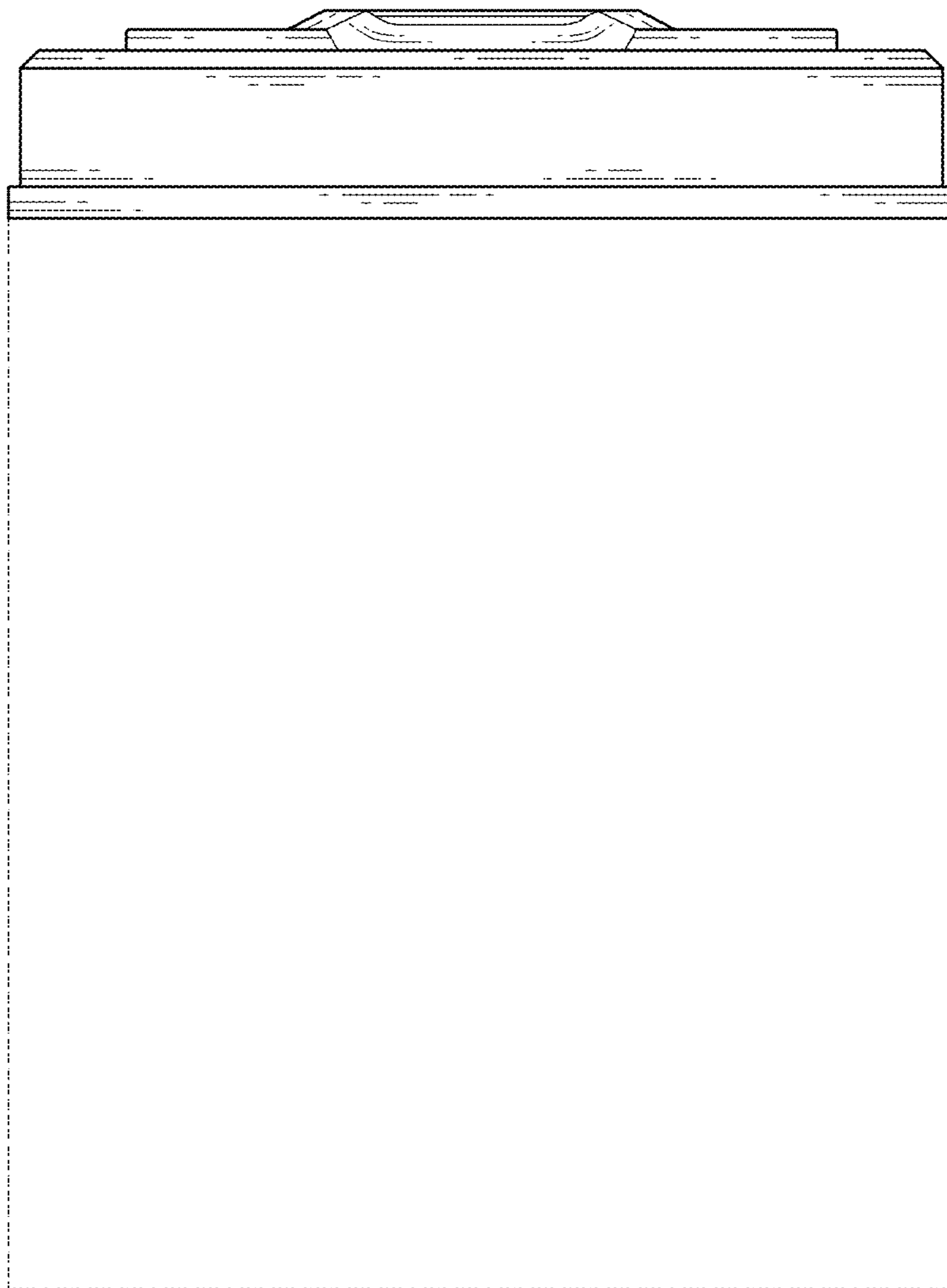


FIG. 5

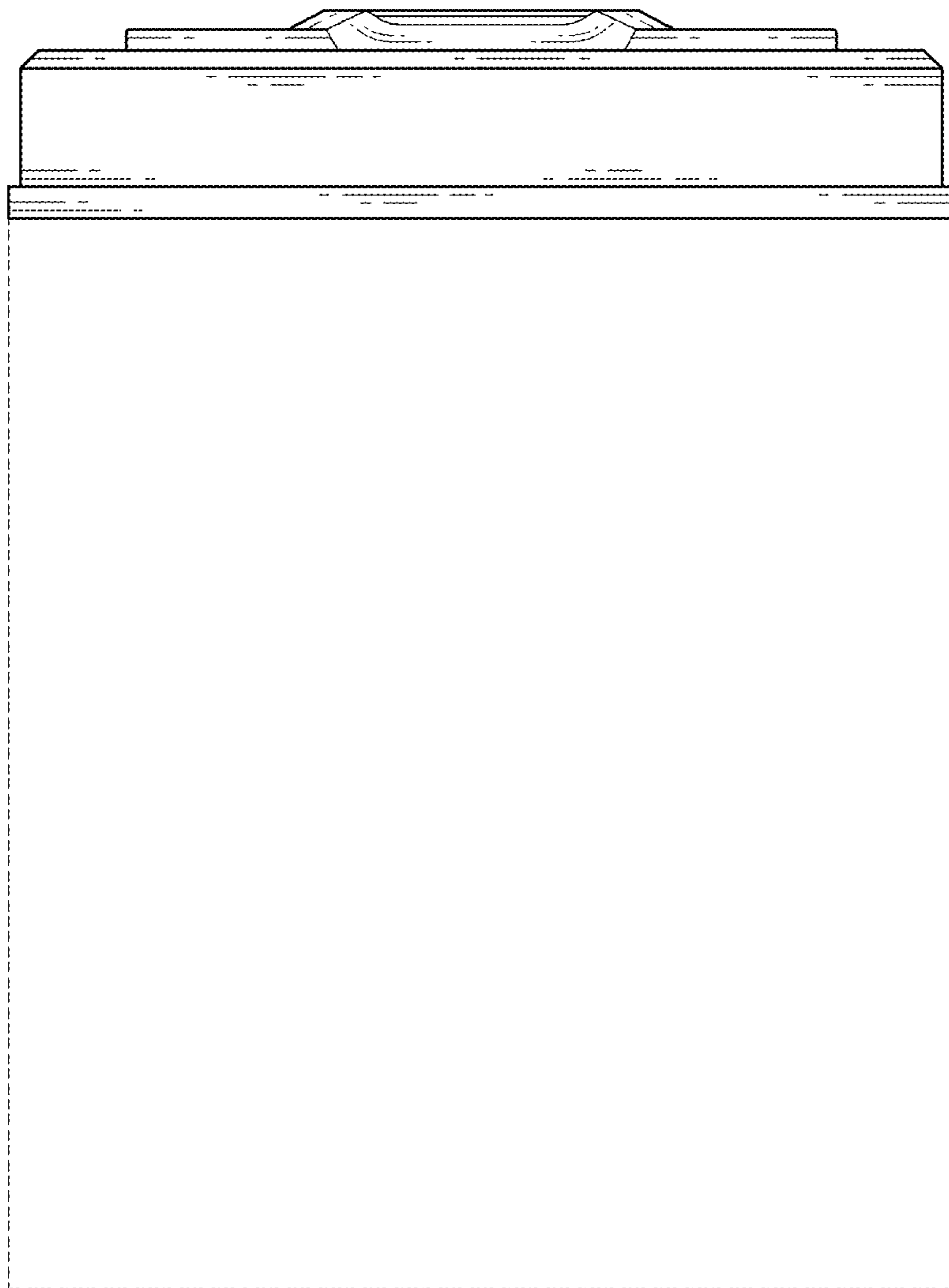


FIG. 6

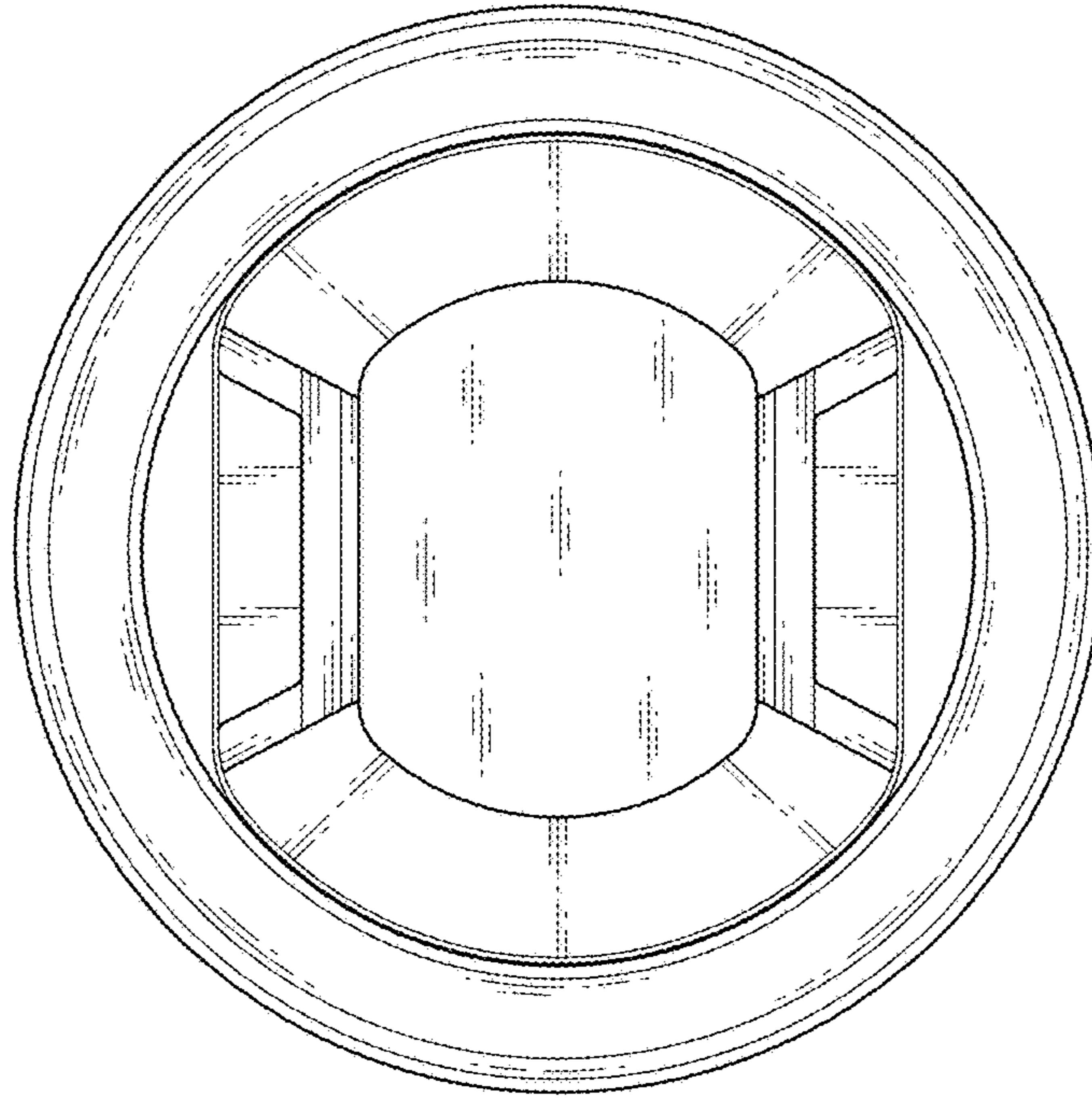


FIG. 7

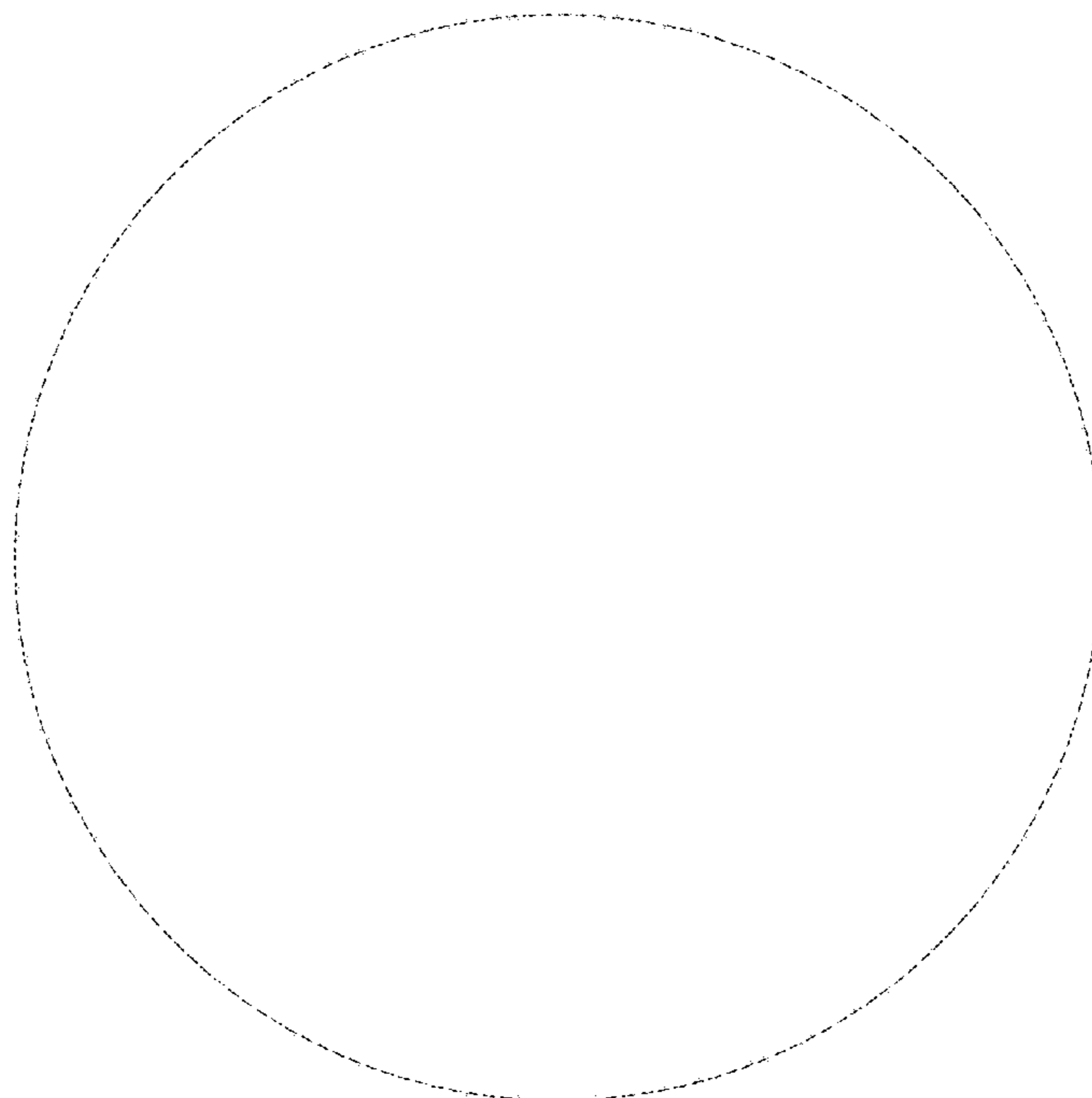


FIG. 8

