



US00D776373S

(12) **United States Design Patent**
Joo et al.

(10) **Patent No.:** **US D776,373 S**
(45) **Date of Patent:** **** Jan. 10, 2017**

- (54) **WASHING MACHINE**
- (71) Applicant: **Samsung Electronics Co., Ltd.**,
Suwon-si (KR)
- (72) Inventors: **Ahjung Joo**, Seoul (KR); **Jungah Choi**, Seoul (KR); **Sungjae Lee**,
Gwangmyeong-si (KR)
- (73) Assignee: **Samsung Electronics Co., Ltd.**,
Suwon-si (KR)
- (**) Term: **15 Years**
- (21) Appl. No.: **29/535,381**
- (22) Filed: **Aug. 6, 2015**
- (30) **Foreign Application Priority Data**
May 6, 2015 (KR) 30-2015-0023043
- (51) **LOC (10) Cl.** **15-05**
- (52) **U.S. Cl.**
USPC **D32/6**
- (58) **Field of Classification Search**
USPC D32/1, 5-6, 8, 25, 28, 29, 67
CPC D06F 33/02; D06F 39/02; D06F 2204/065;
D06F 25/00; D06F 35/006
See application file for complete search history.

- (56) **References Cited**
U.S. PATENT DOCUMENTS
D300,279 S * 3/1989 Umehara D32/6
D313,679 S * 1/1991 Sakamoto D32/6
5,469,593 A * 11/1995 Cuthbert D06F 37/302
68/140
5,875,655 A * 3/1999 Herman-Latack D06F 39/026
222/166
D422,387 S * 4/2000 Mutoh D32/25
D446,890 S * 8/2001 Cho D32/6

- D470,632 S * 2/2003 Oda D32/6
- D503,835 S * 4/2005 Oda D32/6
- D516,258 S * 2/2006 Matsusaki D32/1
- D519,692 S * 4/2006 Jun D32/6
- 7,073,356 B2 * 7/2006 Nakamura D06F 37/10
68/12.26
- D541,491 S * 4/2007 Jun D32/6
- D597,712 S * 8/2009 Jeon D32/6
- D599,509 S * 9/2009 Jeon D32/6
- D704,907 S * 5/2014 Yoo D32/6
- D709,657 S * 7/2014 Shin D32/25
- D711,605 S * 8/2014 Jo D32/25
- D729,467 S * 5/2015 Jee D32/6

(Continued)

Primary Examiner — T. Chase Nelson
Assistant Examiner — Michelle E Wilson
(74) *Attorney, Agent, or Firm* — NSIP Law

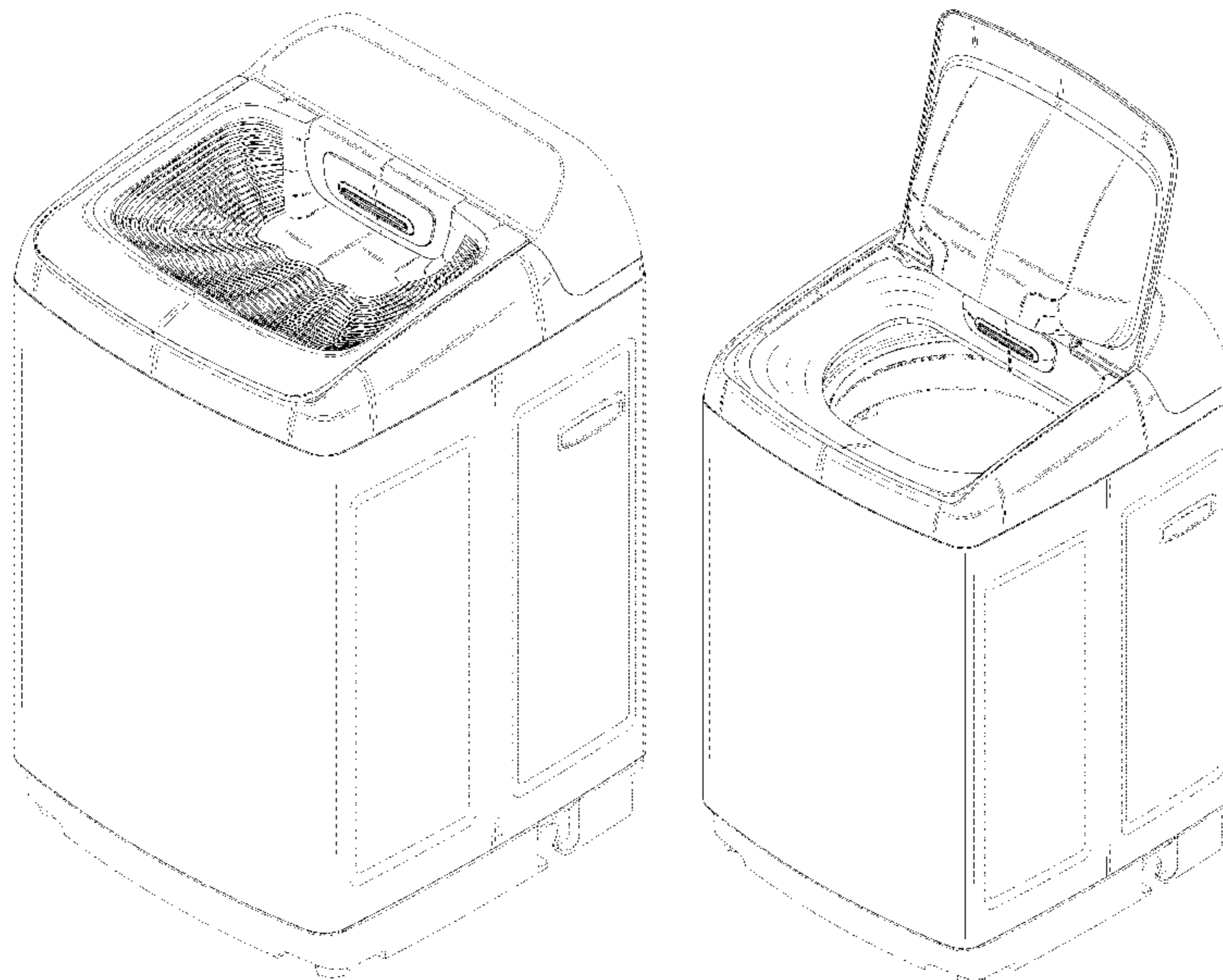
(57) **CLAIM**

We claim the ornamental design for a washing machine, as shown and described.

DESCRIPTION

FIG. 1 is the front perspective view of a washing machine showing our new design;
FIG. 2 is the front view thereof;
FIG. 3 is the rear view thereof;
FIG. 4 is the left-side view thereof;
FIG. 5 is the right-side view thereof;
FIG. 6 is the top plan view thereof;
FIG. 7 is the bottom plan view thereof;
FIG. 8 is the front perspective view thereof, as shown in an alternate configuration; and,
FIG. 9 is the partially enlarged view of FIG. 6.
The broken lines depict portions of a washing machine that form no part of the claimed design.
The dot-dash broken lines encircling portions of the claimed design that are illustrated in enlargements form no part of the claimed design.

1 Claim, 9 Drawing Sheets



(56)

References Cited

U.S. PATENT DOCUMENTS

D732,762 S *	6/2015	Joo	D32/6
D733,372 S *	6/2015	Song	D32/6
D738,582 S *	9/2015	Chung	D32/6
D744,177 S *	11/2015	Jung	D32/6
D748,355 S *	1/2016	Sim	D32/6

* cited by examiner

FIG. 1

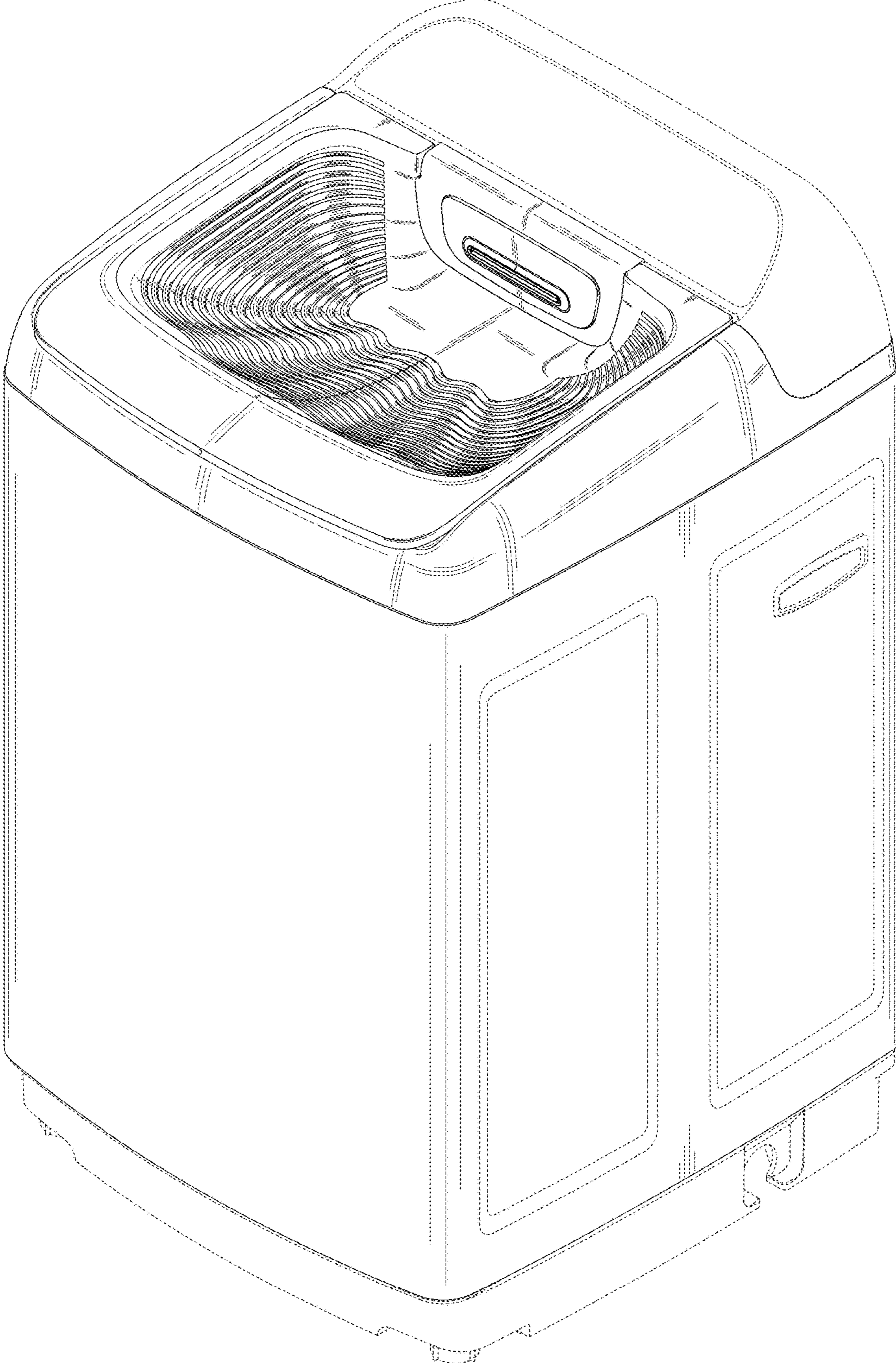


FIG. 2

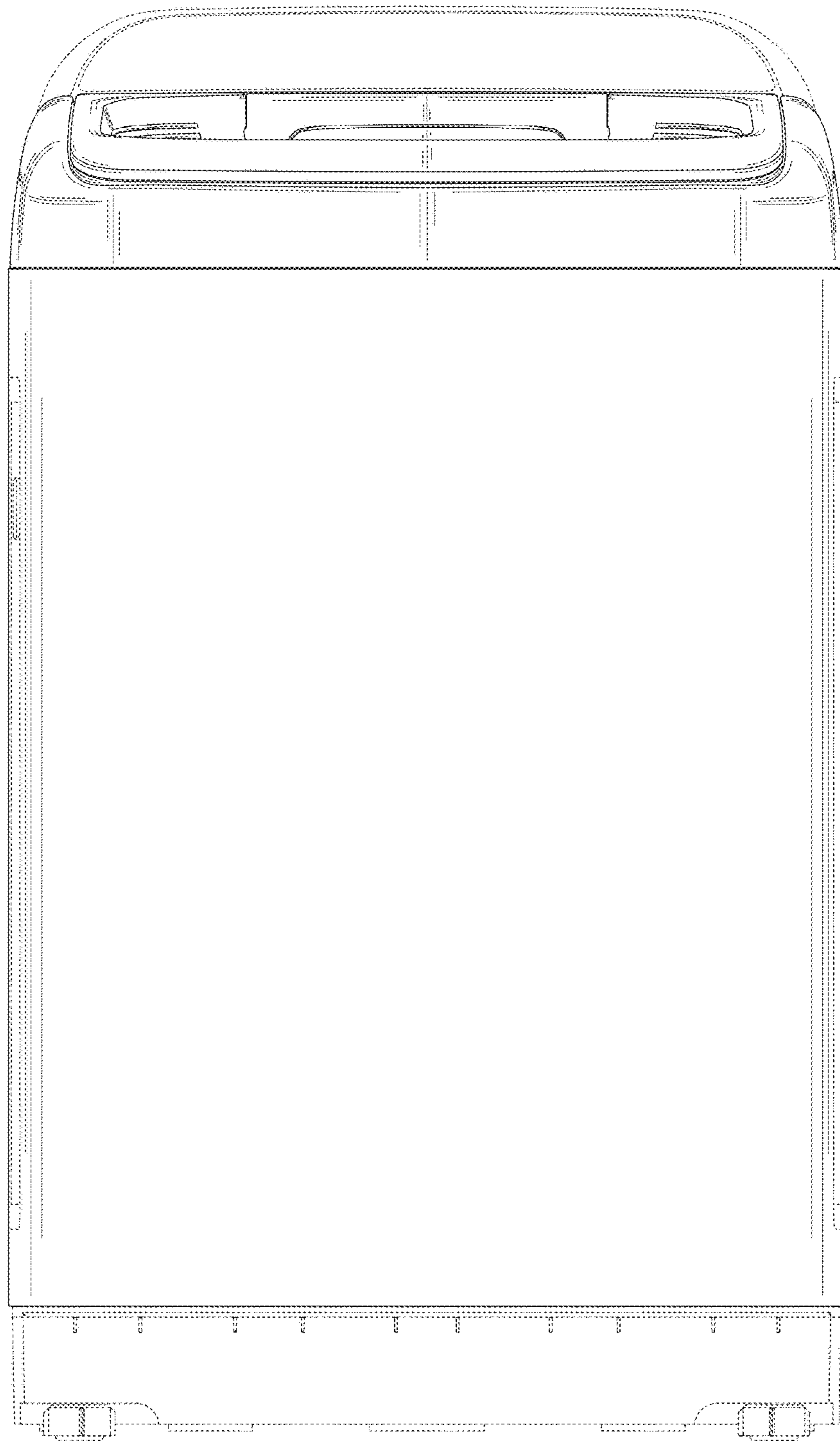


FIG. 3

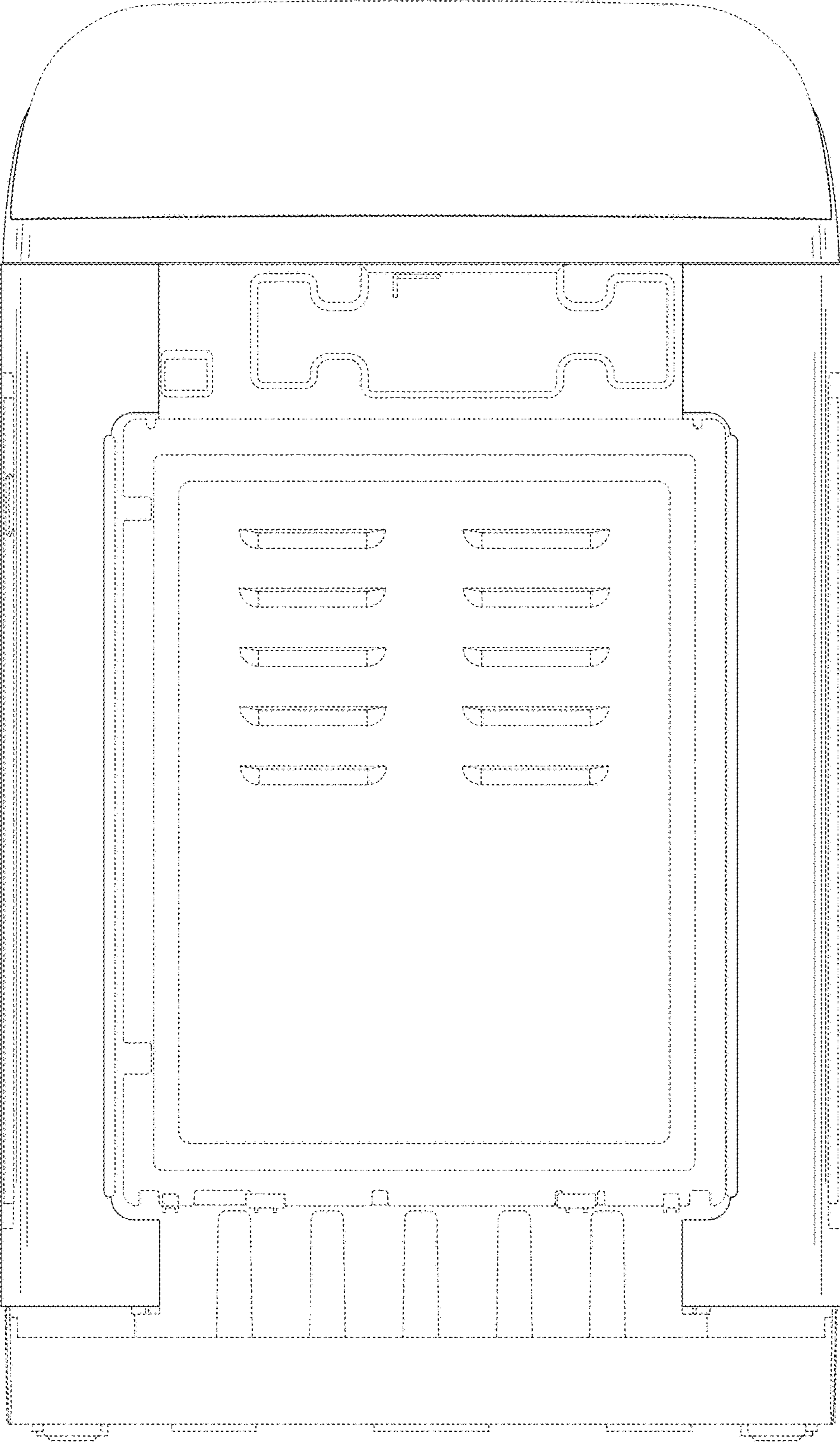


FIG. 4

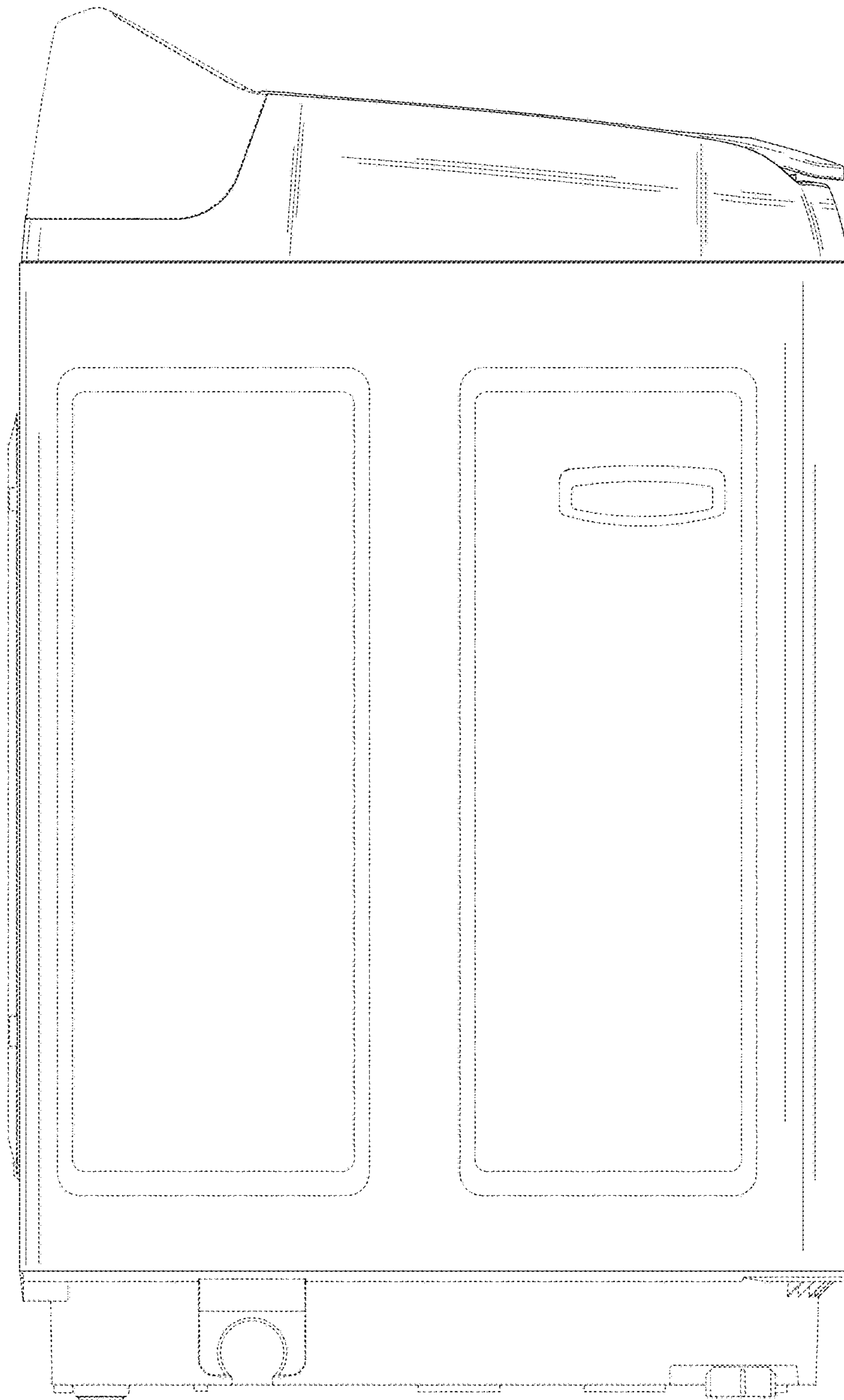


FIG. 5

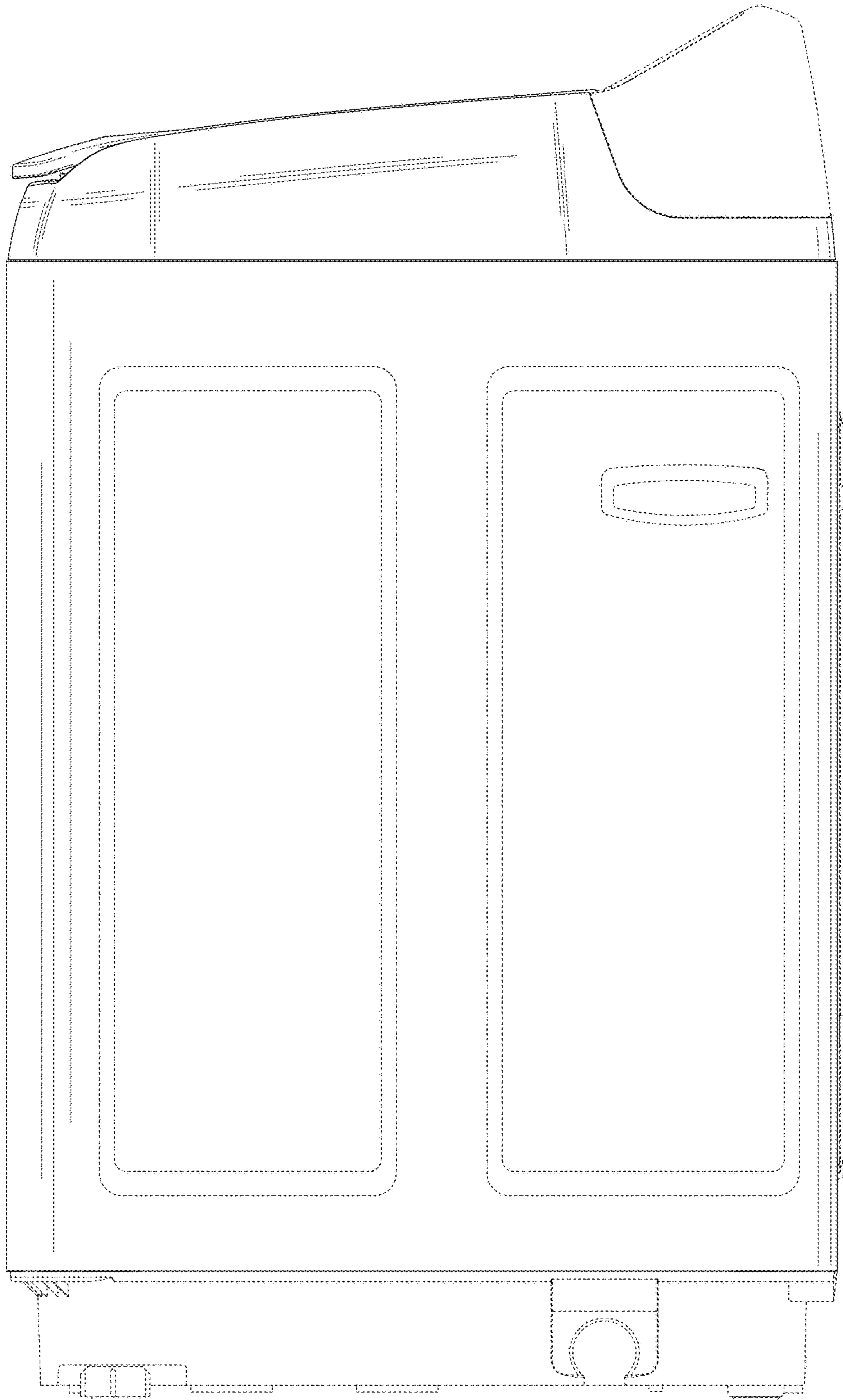
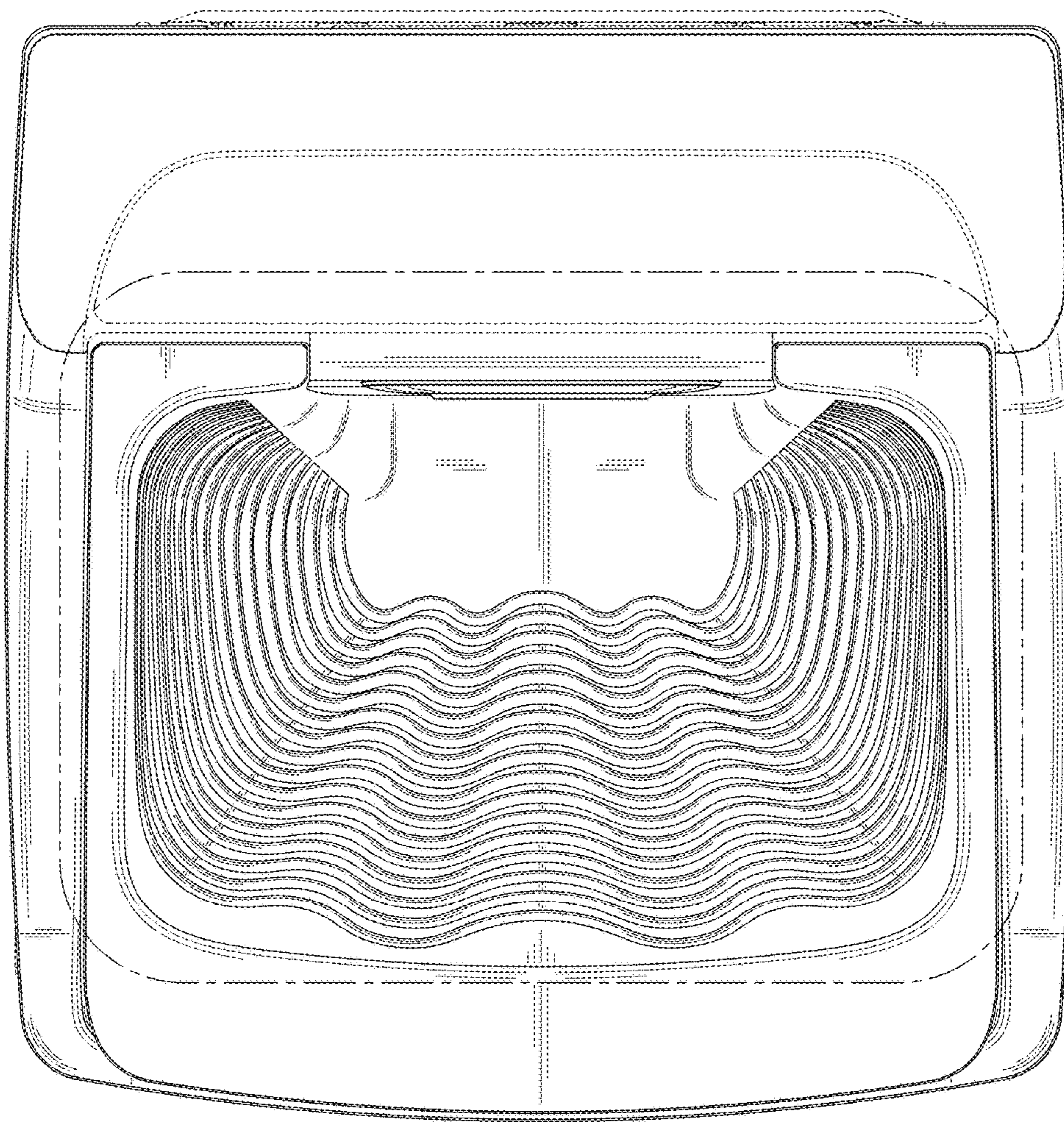


FIG. 6



9

FIG. 7

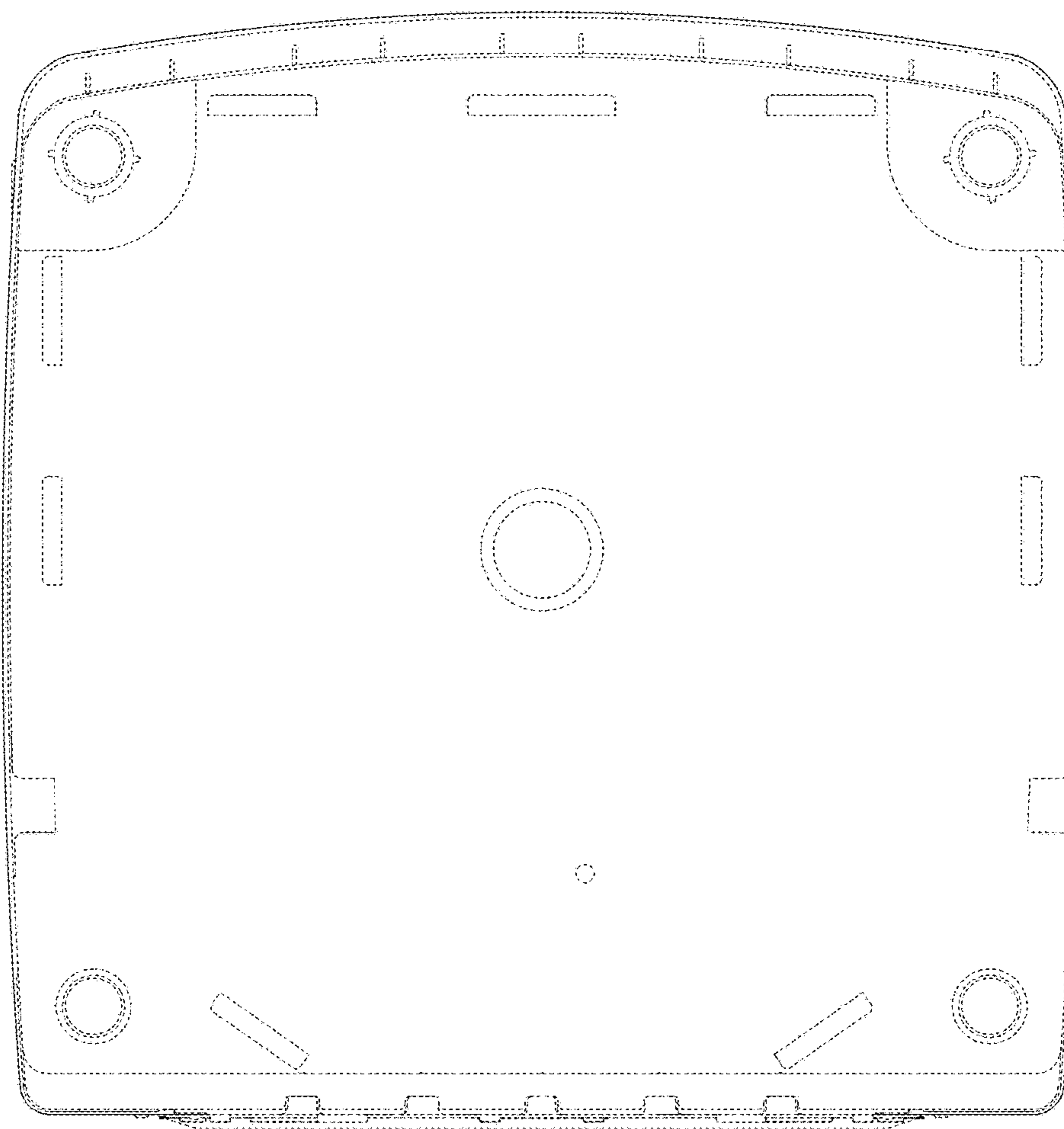


FIG. 8

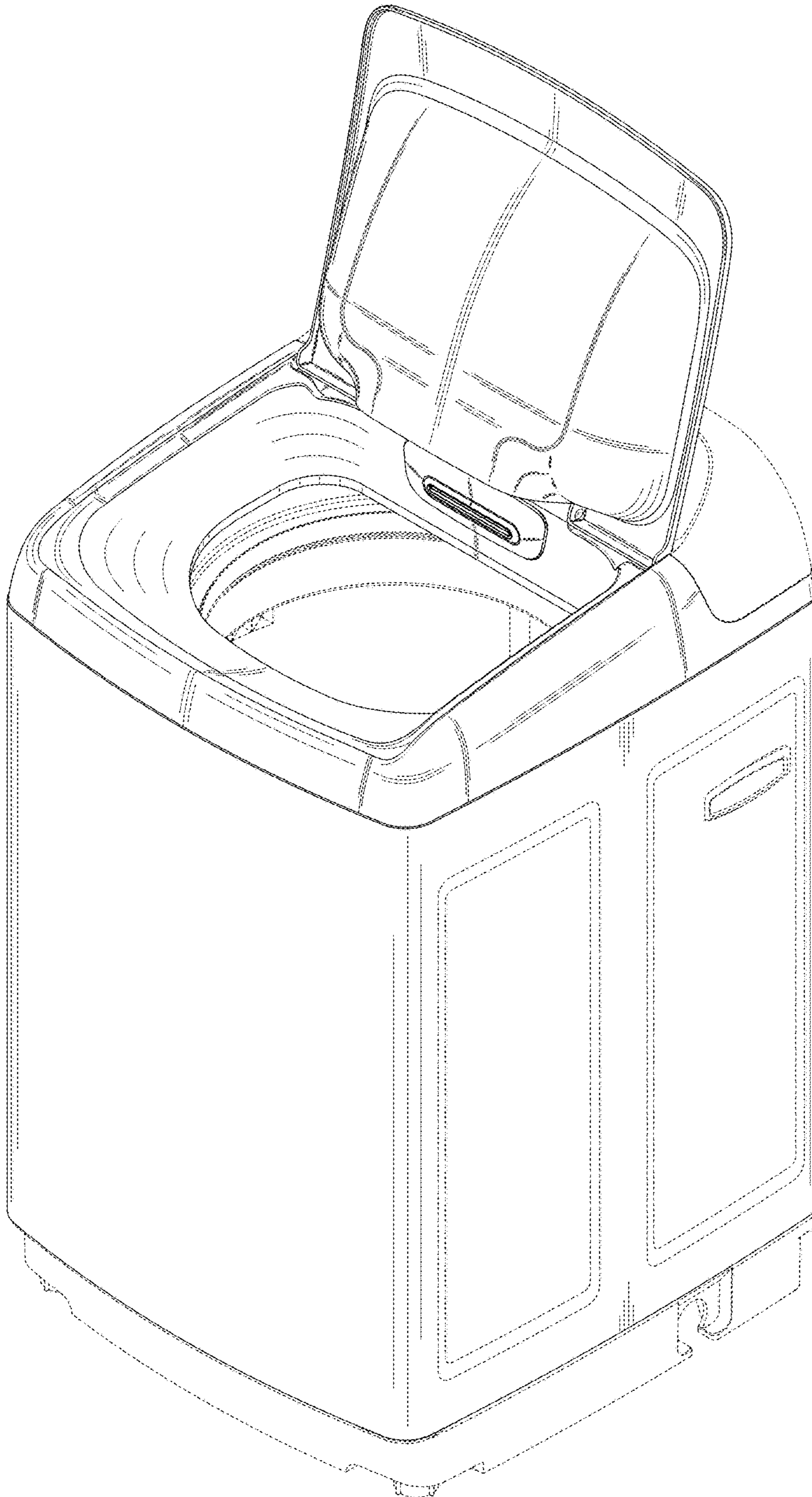


FIG. 9

