



US00D776372S

(12) **United States Design Patent**
Haft et al.

(10) **Patent No.:** **US D776,372 S**
(45) **Date of Patent:** **** Jan. 10, 2017**

(54) **DISHWASHER TUB BOTTOM**

(71) Applicant: **Wolf Appliance, Inc.**, Fitchburg, WI (US)
(72) Inventors: **Thomas Haft**, Madison, WI (US);
Gerry Lippincott, Milton, WI (US);
Colin R. Clerkin, Waunakee, WI (US);
Brian Wylie, Stoughton, WI (US)

(73) Assignee: **Wolf Appliance, Inc.**, Fitchburg, WI (US)

(**) Term: **14 Years**

(21) Appl. No.: **29/493,111**

(22) Filed: **Jun. 5, 2014**

(51) **LOC (10) Cl.** **15-05**

(52) **U.S. Cl.**
USPC **D32/3**

(58) **Field of Classification Search**
USPC D32/1-3, 25-27; D23/213, 218, 221
CPC .. A47L 15/00; A47L 15/0002; A47L 15/0005;
A47L 15/0007; A47L 15/0015; A47L
15/0023
See application file for complete search history.

(56) **References Cited**

U.S. PATENT DOCUMENTS

2,380,090	A *	7/1945	Wallace	A47L 15/23 239/231
2,905,393	A *	9/1959	Federighi	A47L 15/23 134/179
3,035,706	A *	5/1962	Burke	A47L 15/30 211/165
D197,026	S *	12/1963	Jellies et al.	D32/3
D461,284	S *	8/2002	Hegeman	D32/3
RE37,831	E	9/2002	Thies	
D718,007	S *	11/2014	Baldwin	D32/3
D720,509	S *	12/2014	Baldwin	D32/3

D748,352 S * 1/2016 Baldwin D32/3
2004/0163680 A1 8/2004 Elick et al.
2006/0005863 A1 1/2006 Gurubatham et al.
2006/0060228 A1 3/2006 Yoon et al.
2008/0072934 A1 3/2008 Pyo et al.
(Continued)

Primary Examiner — Michael A Pratt
Assistant Examiner — Michelle E Wilson
(74) *Attorney, Agent, or Firm* — Bell & Manning, LLC

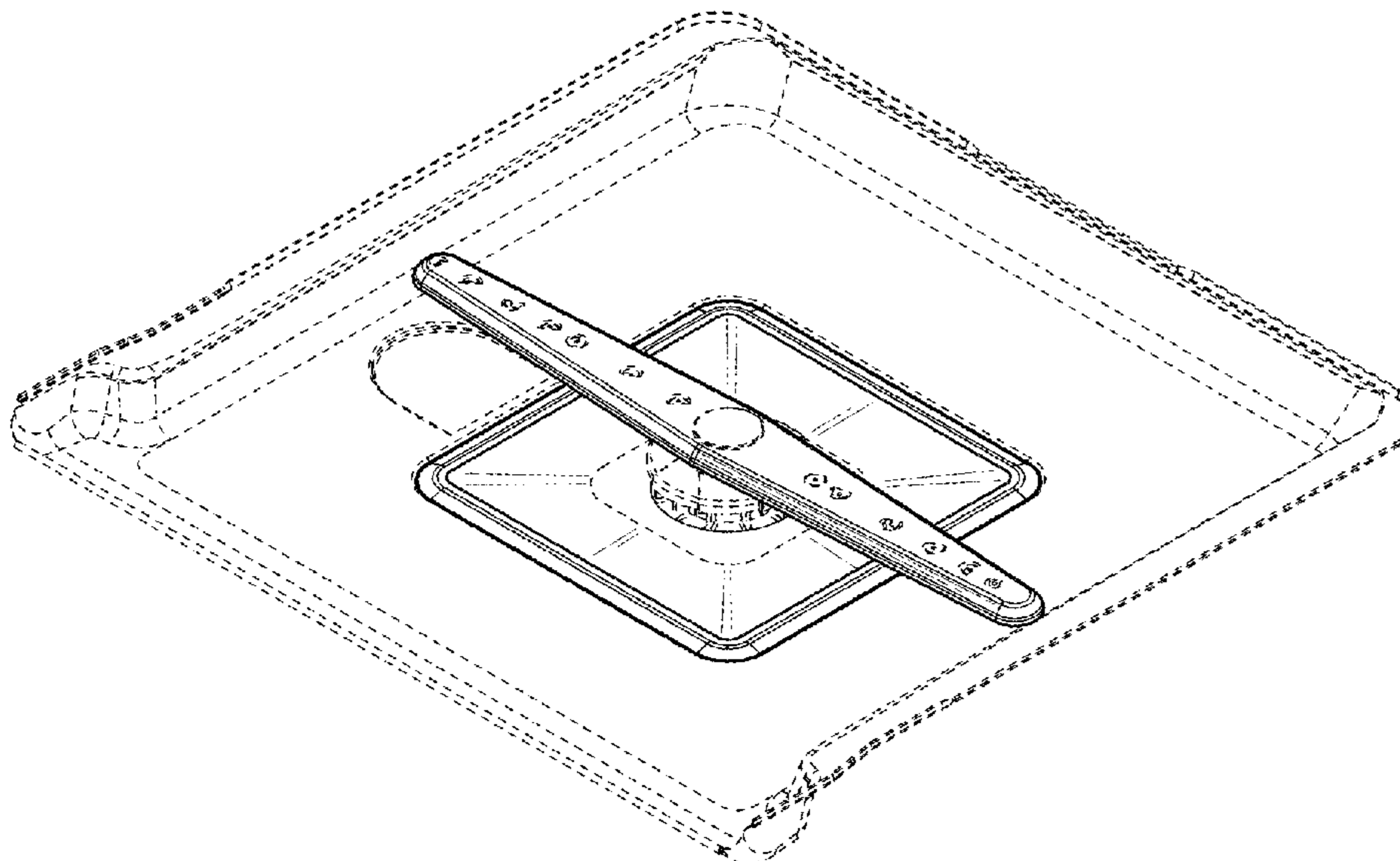
(57) **CLAIM**

We claim the ornamental design for a dishwasher tub bottom, as shown and described.

DESCRIPTION

FIG. 1 is a front perspective view of our new design for a dishwasher tub bottom shown in its environment;
FIG. 2 is a front, right perspective view of the dishwasher tub bottom of FIG. 1;
FIG. 3 is a front elevation view of the dishwasher tub bottom of FIG. 1;
FIG. 4 is a back elevation view of the dishwasher tub bottom of FIG. 1;
FIG. 5 is a right elevation view of the dishwasher tub bottom of FIG. 1;
FIG. 6 is a left elevation view of the dishwasher tub bottom of FIG. 1;
FIG. 7 is a top plan view of the dishwasher tub bottom of FIG. 1;
FIG. 8 is a bottom plan view of the dishwasher tub bottom of FIG. 1; and,
FIG. 9 is a bottom, right perspective view of the dishwasher tub bottom of FIG. 1.
The broken lines in FIGS. 1-9 form no part of the claimed design. FIGS. 2-9 show the dishwasher tub bottom enlarged relative to that shown in FIG. 1 with the dishwasher tub bottom in its environment.

1 Claim, 4 Drawing Sheets



(56)

References Cited

U.S. PATENT DOCUMENTS

2008/0149148 A1 6/2008 Woo et al.
2010/0006125 A1 1/2010 Kim
2010/0012160 A1 1/2010 Jeong et al.
2011/0226289 A1 9/2011 Förster
2012/0186609 A1 7/2012 Haltmayer et al.
2013/0056029 A1 3/2013 Boyer et al.
2013/0220386 A1 8/2013 Jozwiak
2014/0158168 A1 6/2014 Thiyagarajan
2015/0000714 A1 1/2015 Yoo et al.
2015/0352472 A1 12/2015 Haft et al.

* cited by examiner

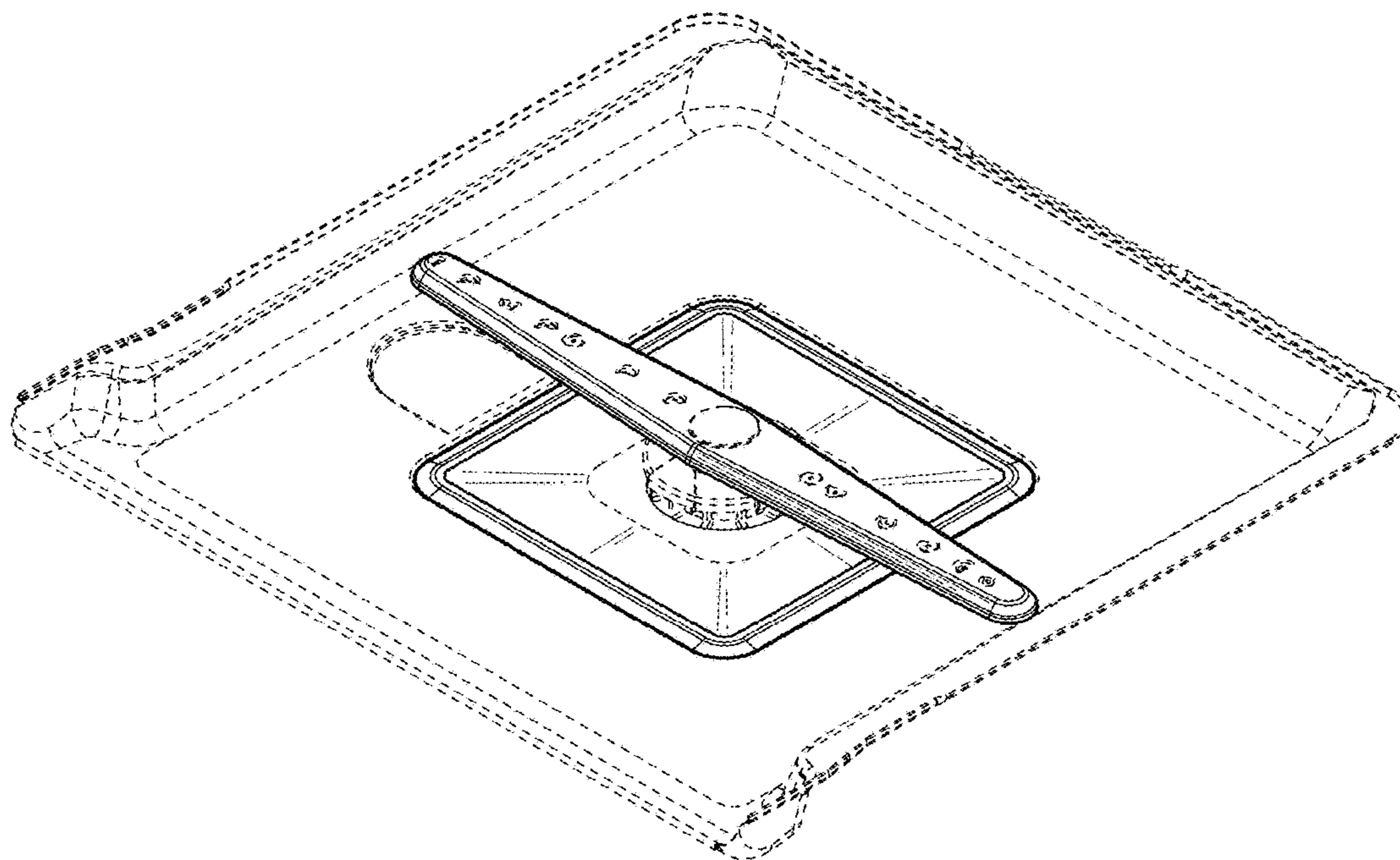


FIG. 1

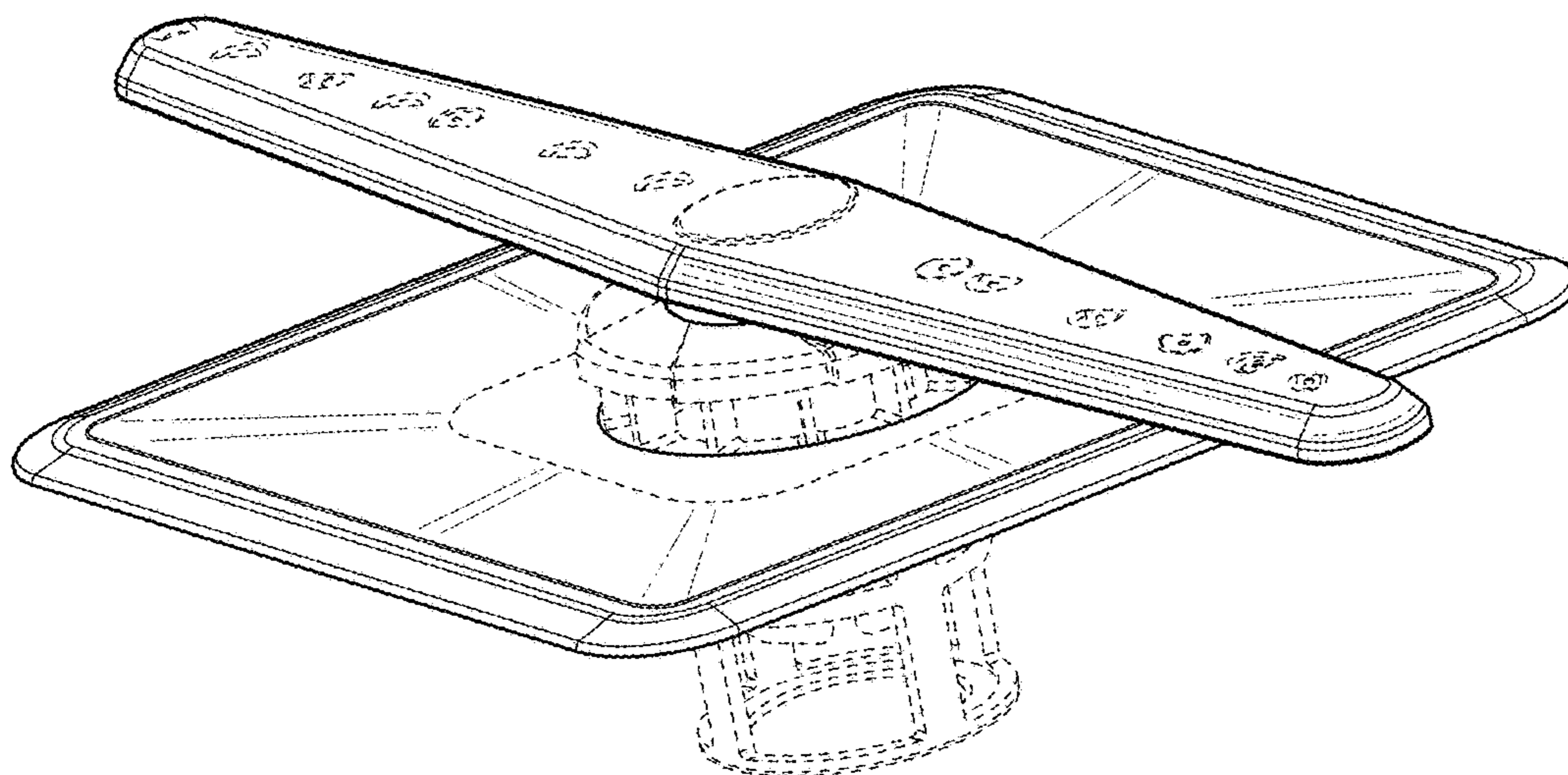


FIG. 2

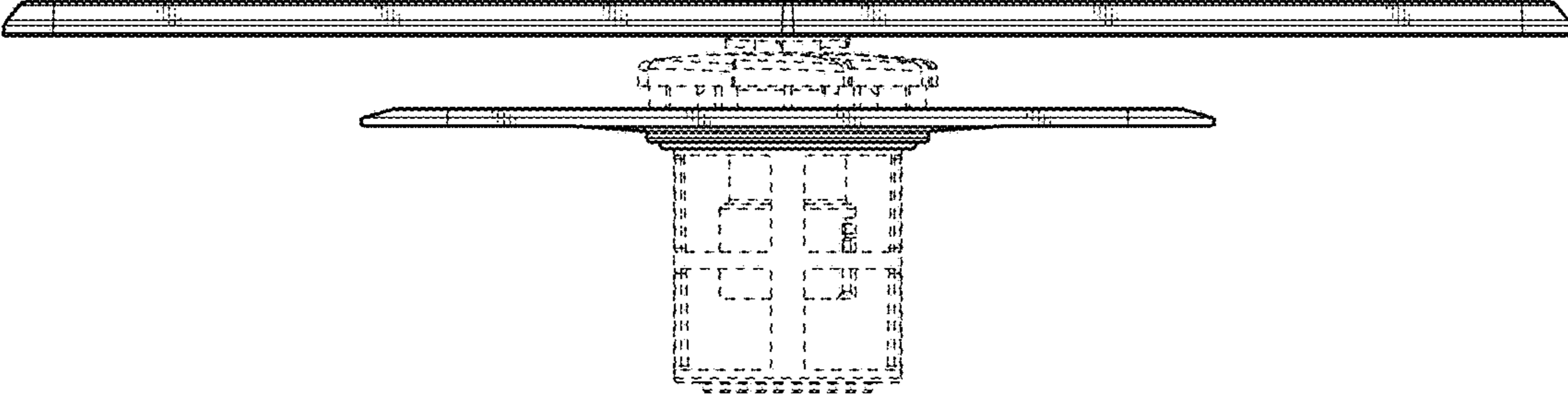


FIG. 3

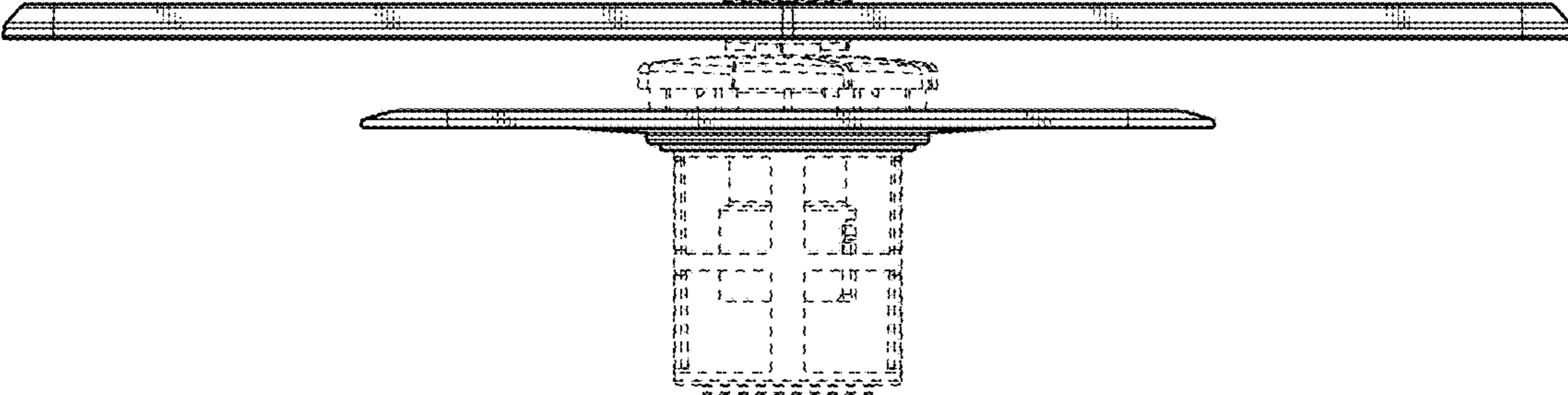


FIG. 4

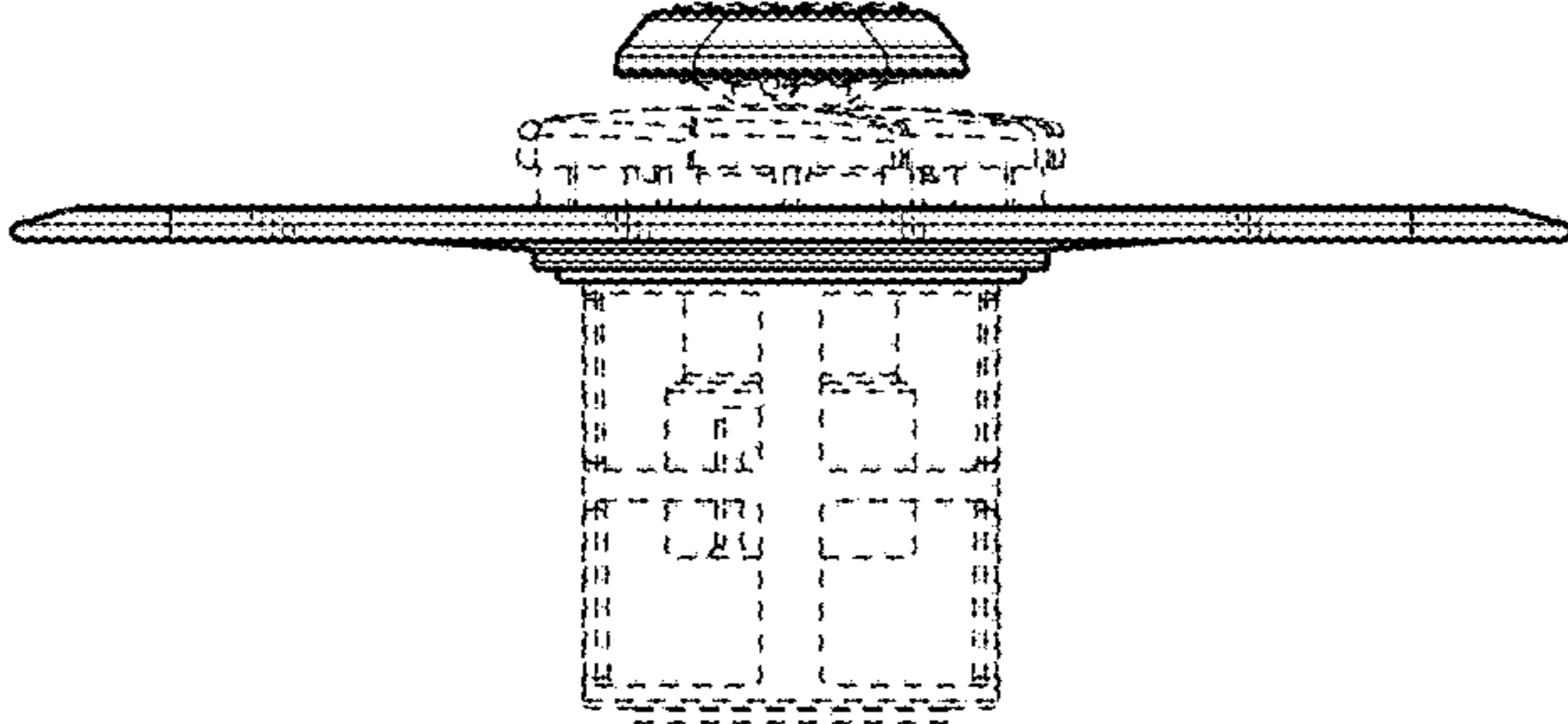


FIG. 5

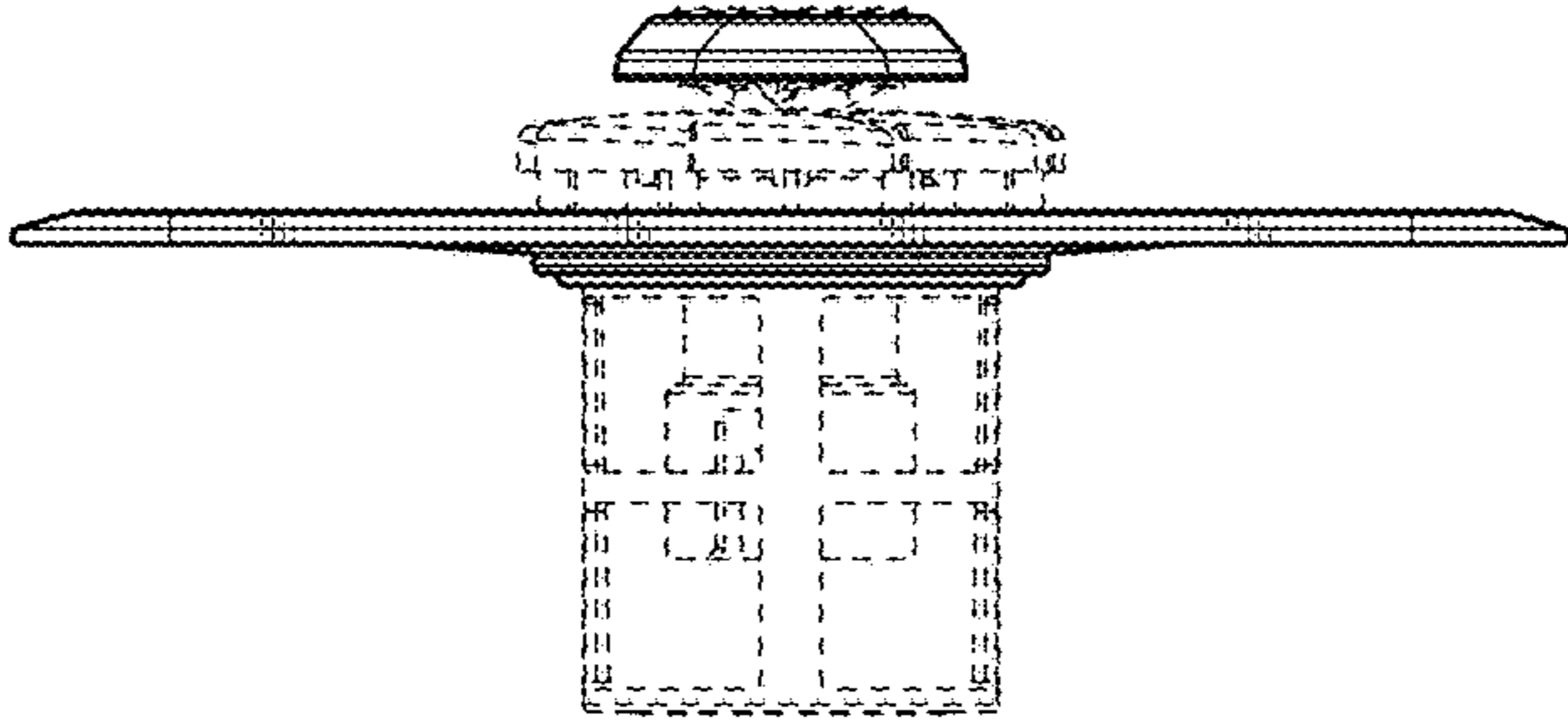


FIG. 6

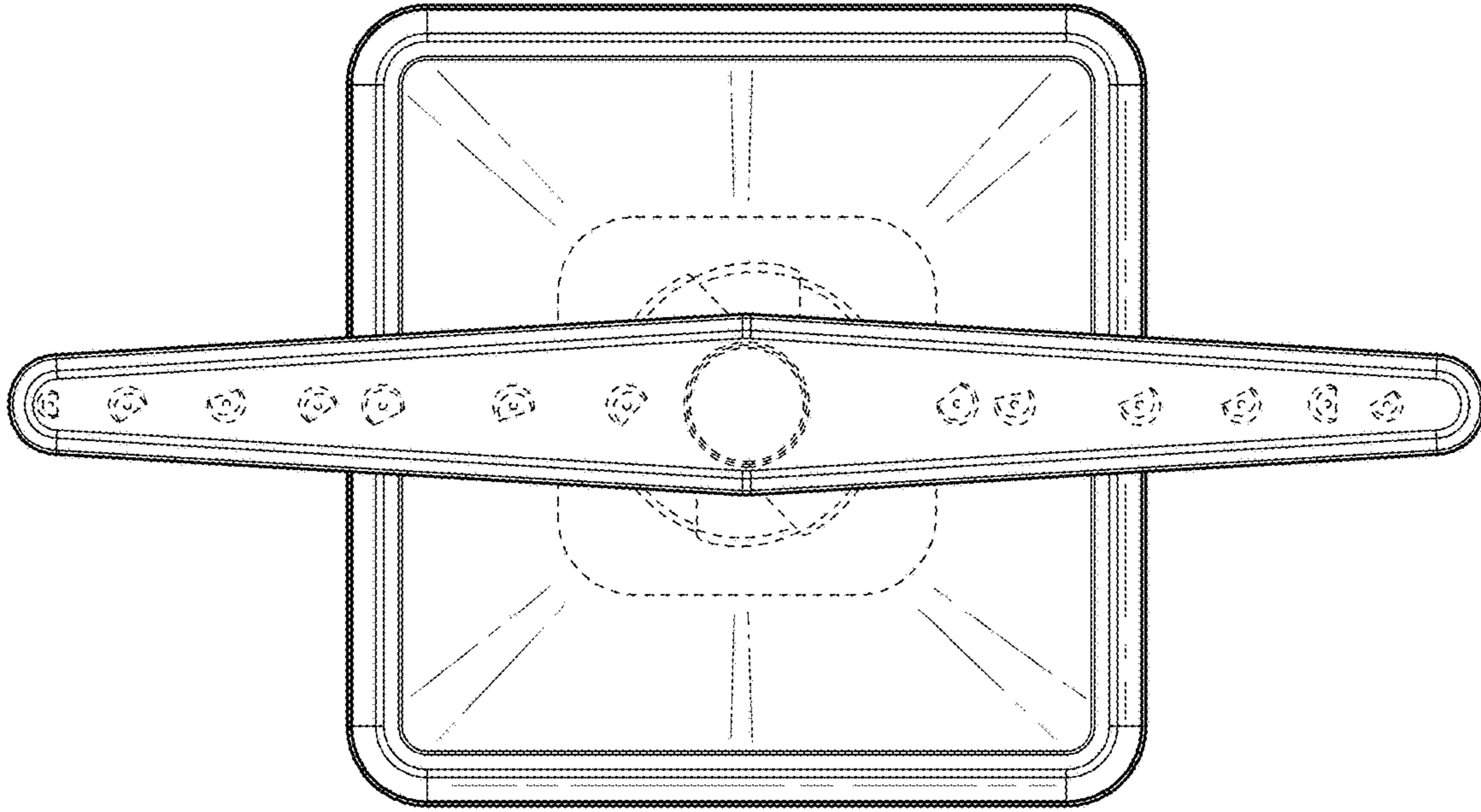


FIG. 7

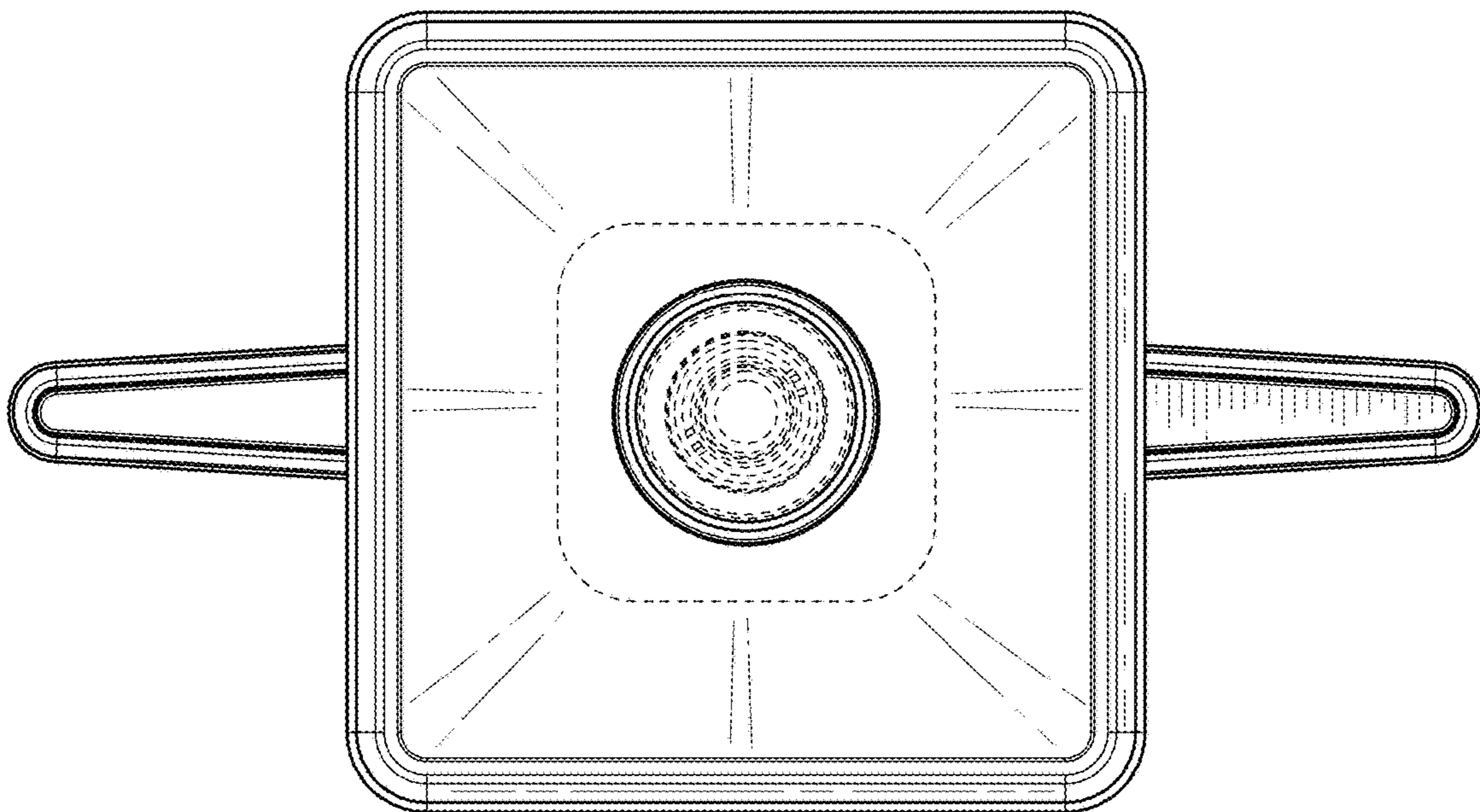


FIG. 8

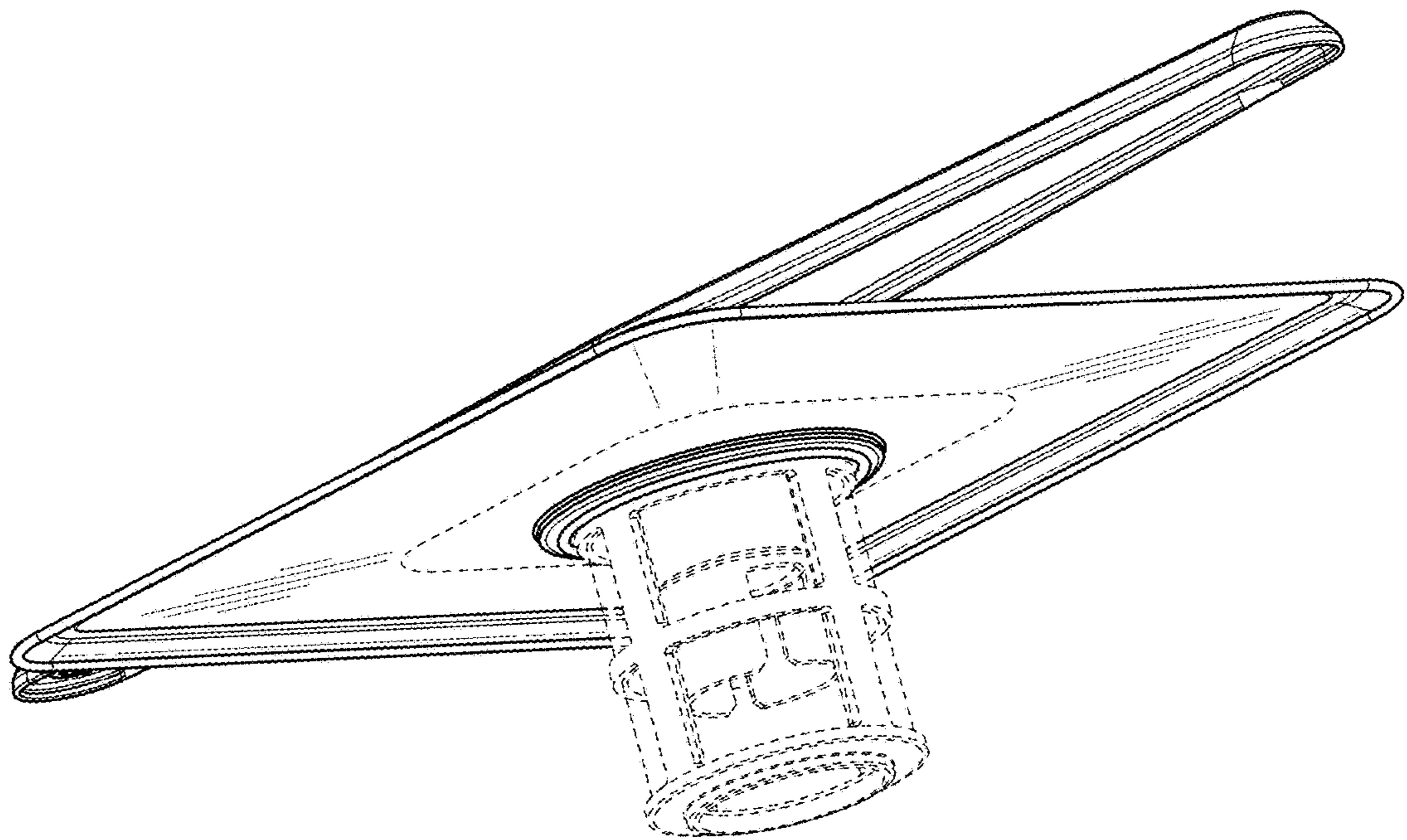


FIG. 9