



US00D776371S

(12) **United States Design Patent**
Tome

(10) **Patent No.:** **US D776,371 S**

(45) **Date of Patent:** **** Jan. 10, 2017**

(54) **SMALL PET TOY BALL**

(71) Applicant: **Jeffrey Alan Tome**, New York, NY
(US)

(72) Inventor: **Jeffrey Alan Tome**, New York, NY
(US)

(**) Term: **15 Years**

(21) Appl. No.: **29/535,996**

(22) Filed: **Aug. 12, 2015**

(51) **LOC (10) Cl.** **30-99**

(52) **U.S. Cl.**
USPC **D30/160**

(58) **Field of Classification Search**
USPC D30/121, 158, 160; D21/460-464,
D21/478-479, 707, 713; D24/194, 211
CPC .. A01K 15/024; A01K 15/025; A01K 15/026;
A01K 15/027; A63B 69/00; A63B 69/34;
A63B 69/004; A63H 3/06
See application file for complete search history.

(56) **References Cited**

U.S. PATENT DOCUMENTS

6,098,571 A * 8/2000 Axelrod A01K 15/025
119/707
D549,889 S * 8/2007 Winkler D30/160

D580,112 S * 11/2008 Stiles D21/713
D610,215 S * 2/2010 Wechsler D21/707
D680,698 S * 4/2013 McWilliams D30/121
D706,875 S * 6/2014 Saber D21/707

* cited by examiner

Primary Examiner — Cathy Anne MacCormac

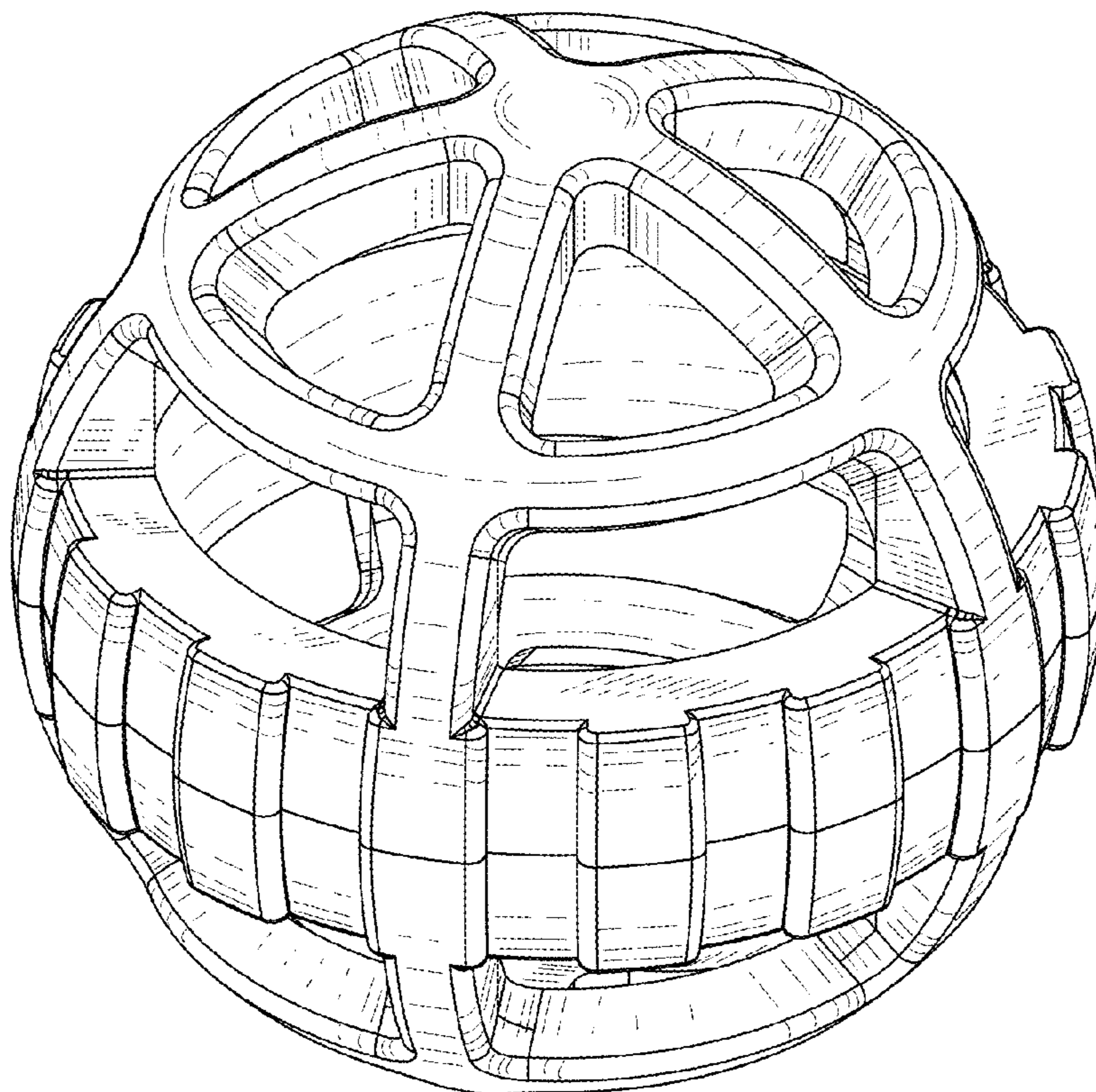
(57) **CLAIM**

The ornamental design for a small pet toy ball, as shown and described.

DESCRIPTION

FIG. 1 is a top isometric view of small pet toy ball showing my new design;
FIG. 2 is a bottom isometric view thereof;
FIG. 3 is a front view thereof;
FIG. 4 is a rear view thereof;
FIG. 5 is a left side view thereof;
FIG. 6 is a right side view thereof;
FIG. 7 is a top plan view thereof; and,
FIG. 8 is a bottom plan view thereof.

1 Claim, 8 Drawing Sheets



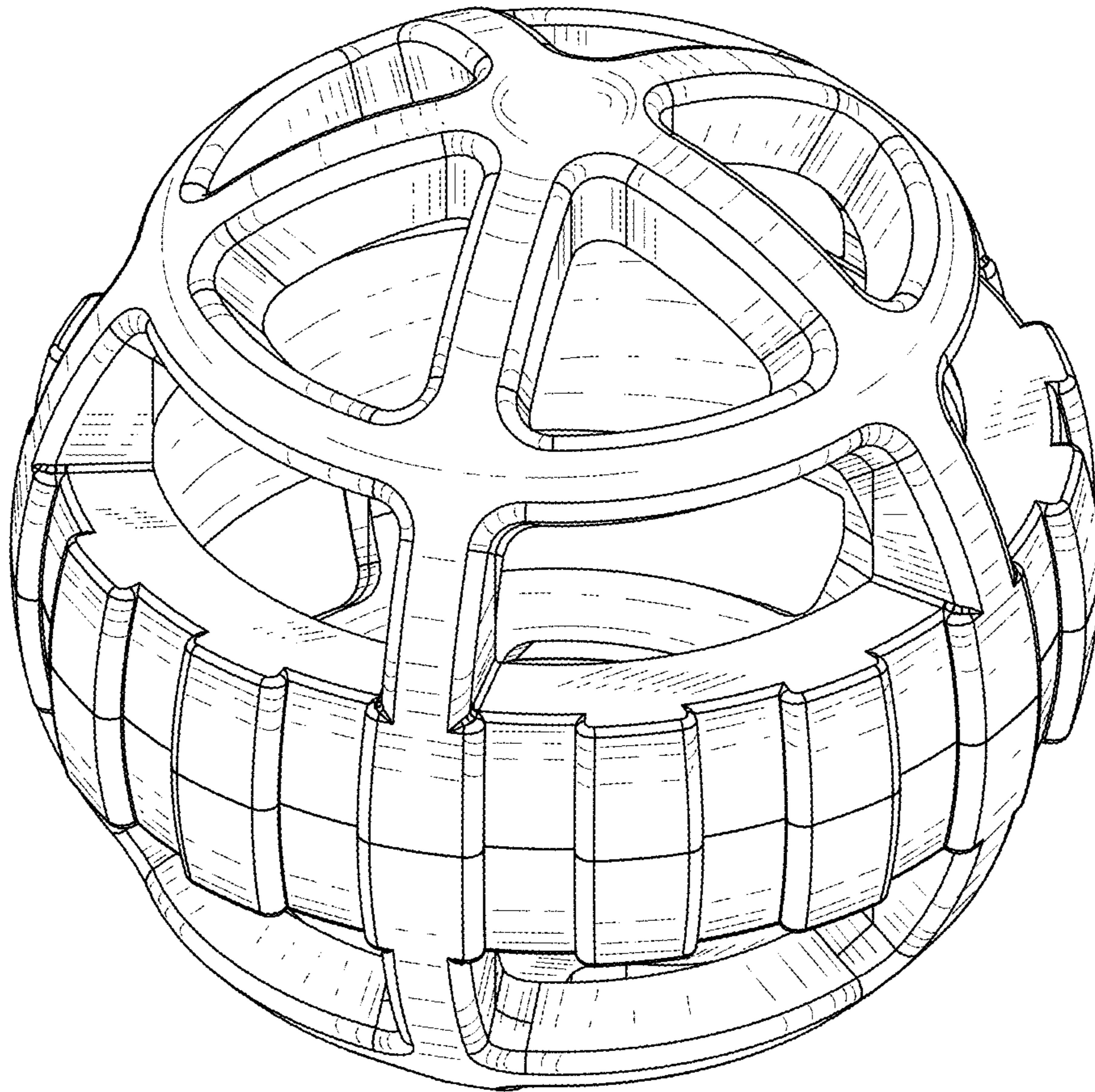


FIG. 1

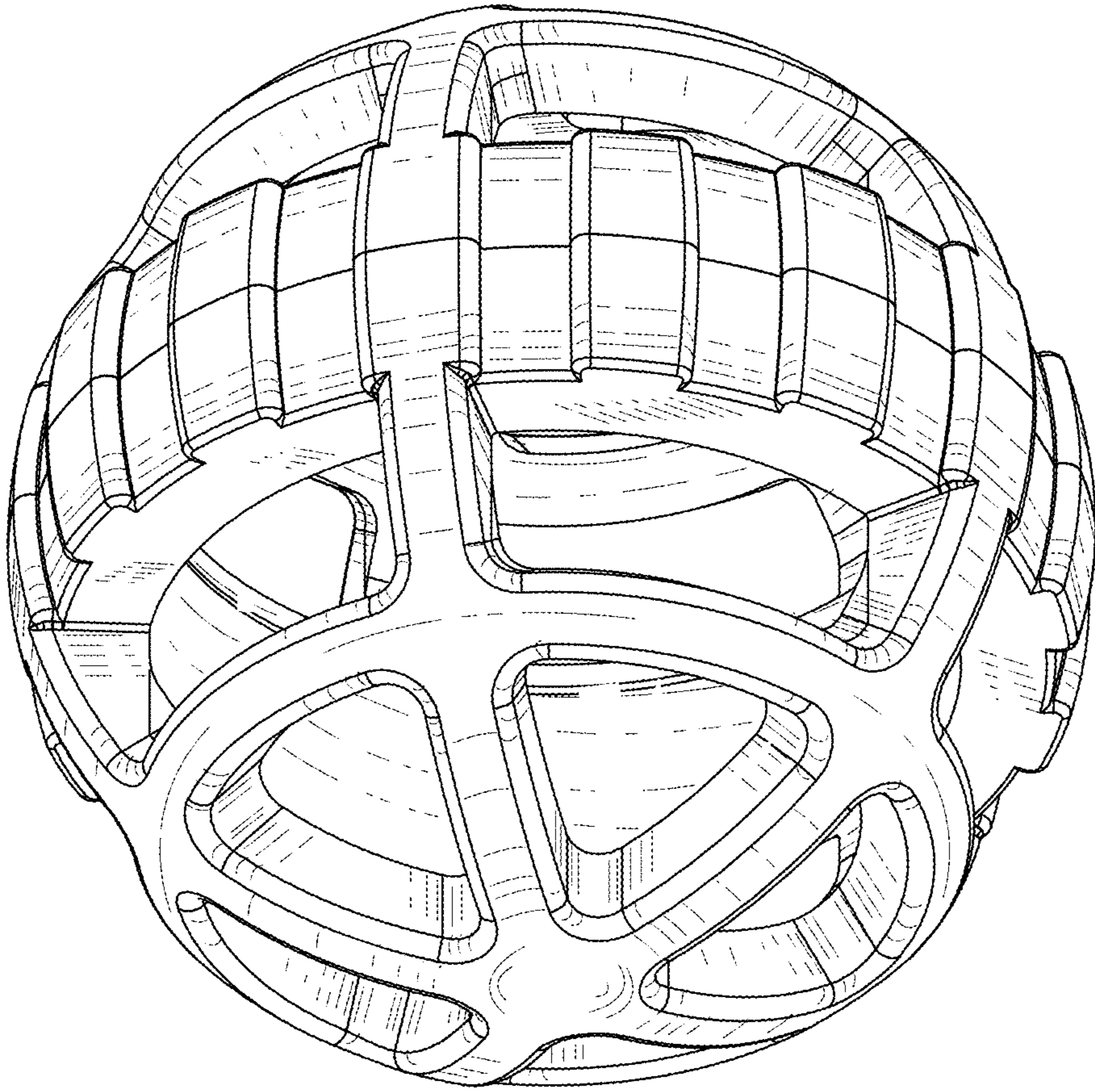


FIG. 2

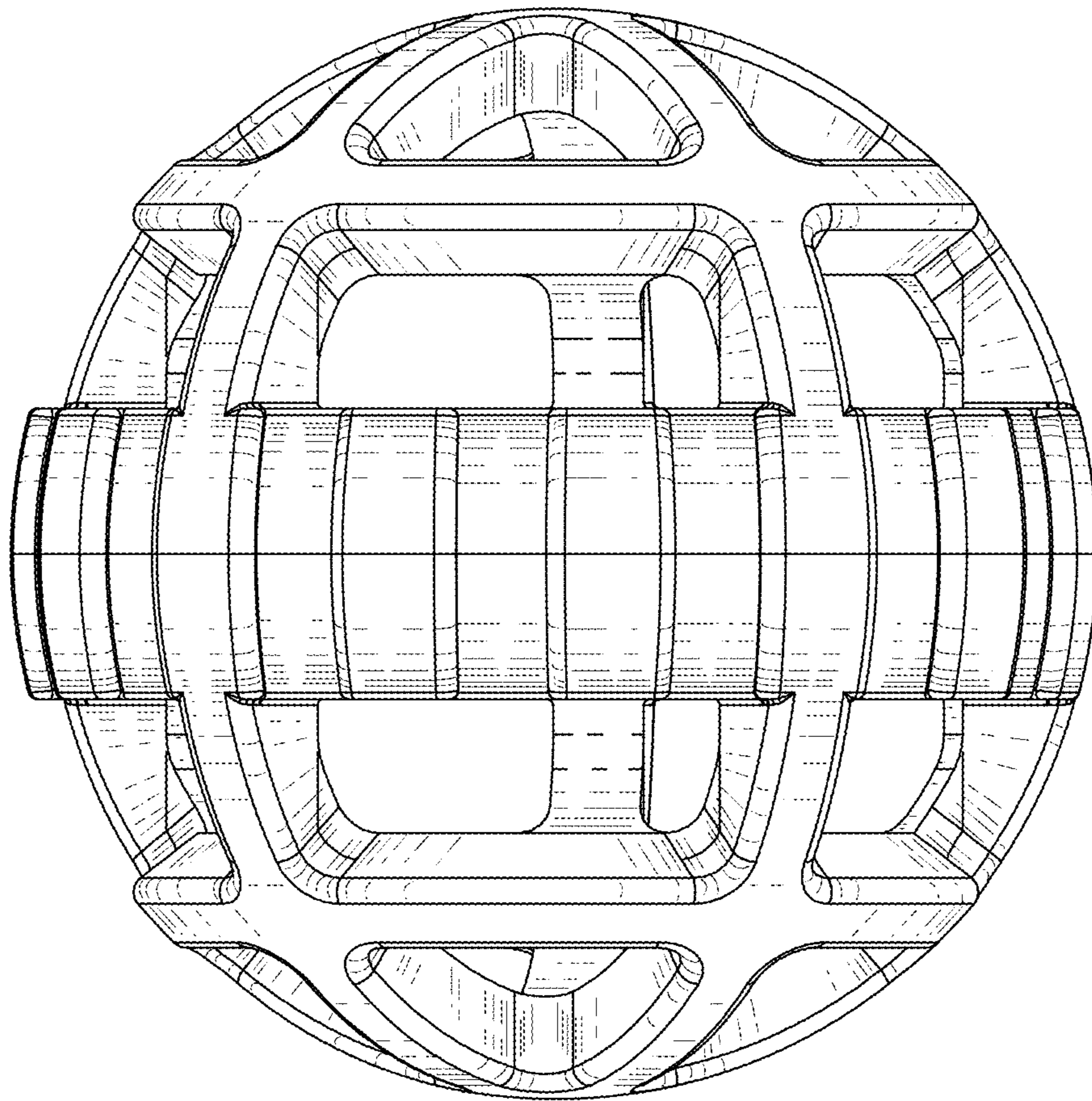


FIG. 3

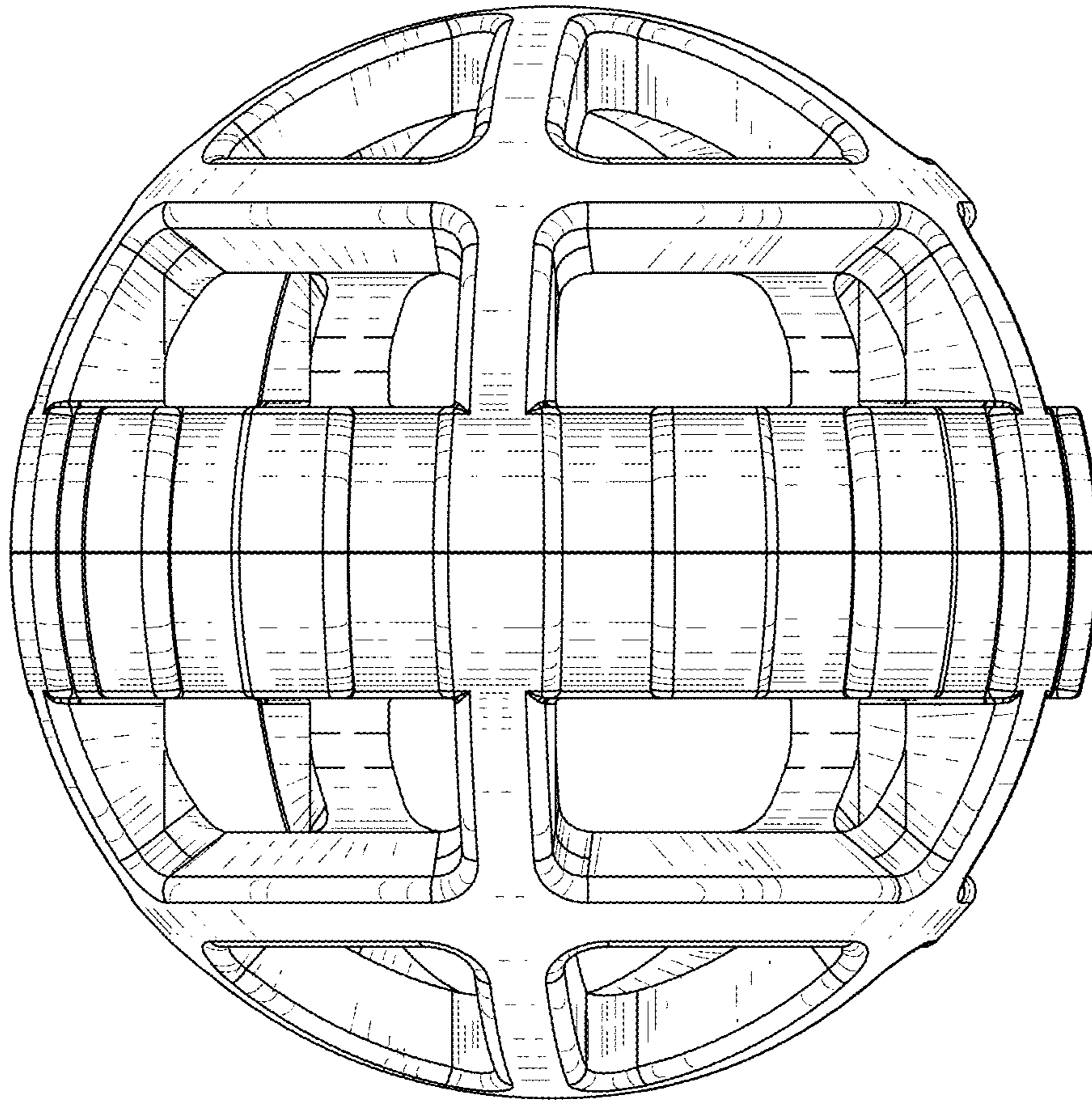


FIG. 4

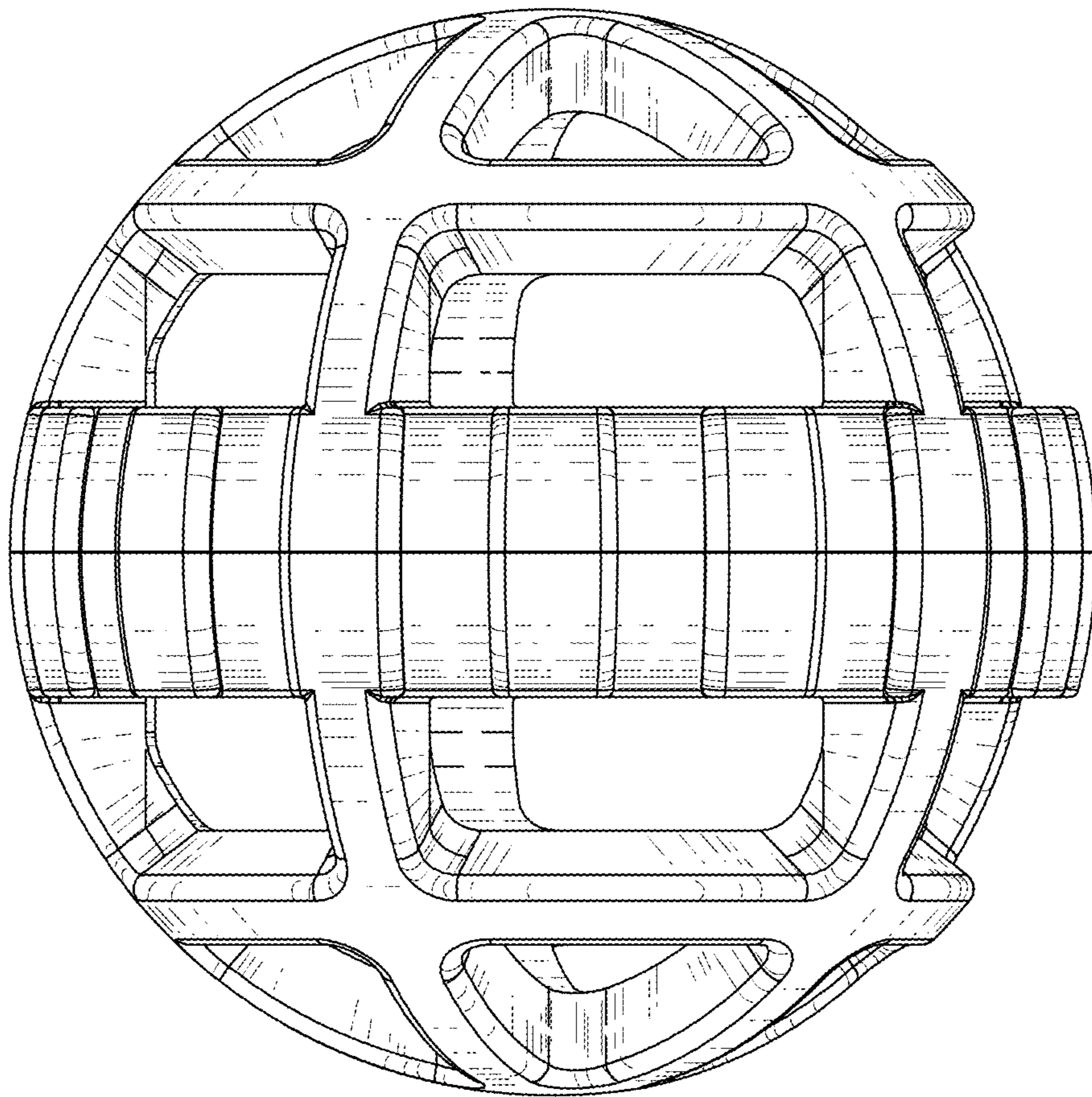


FIG. 5

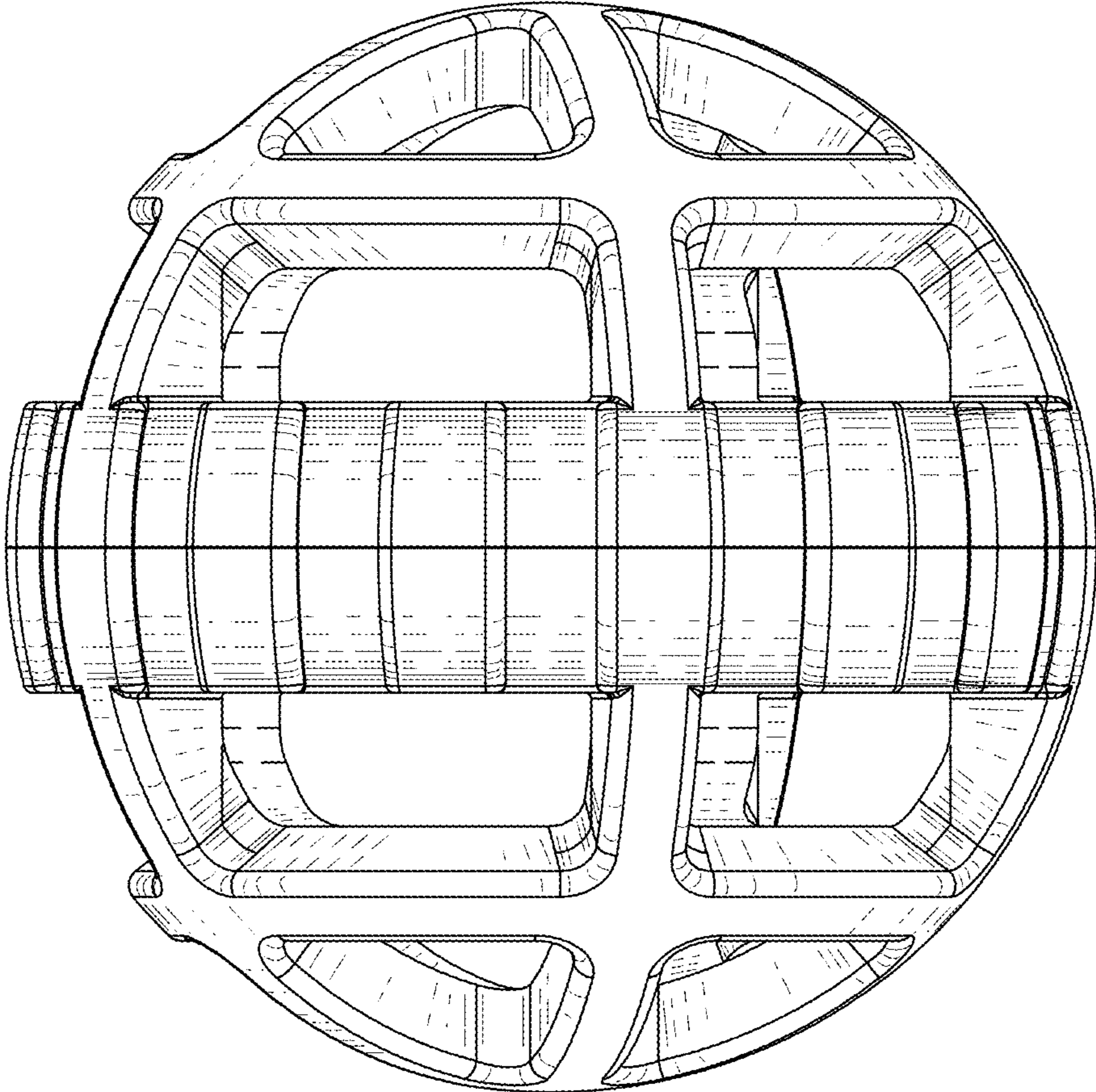


FIG. 6

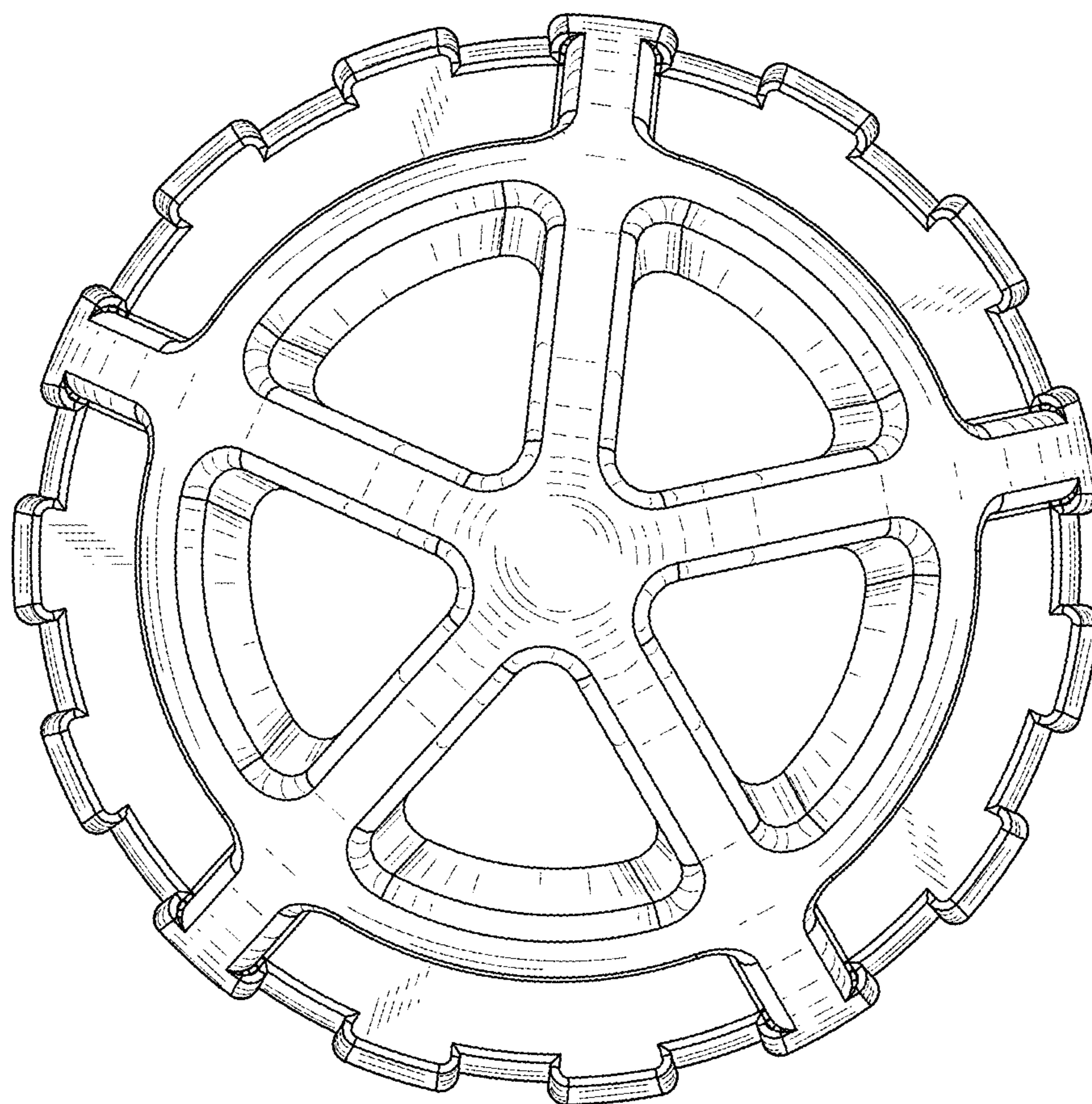


FIG. 7

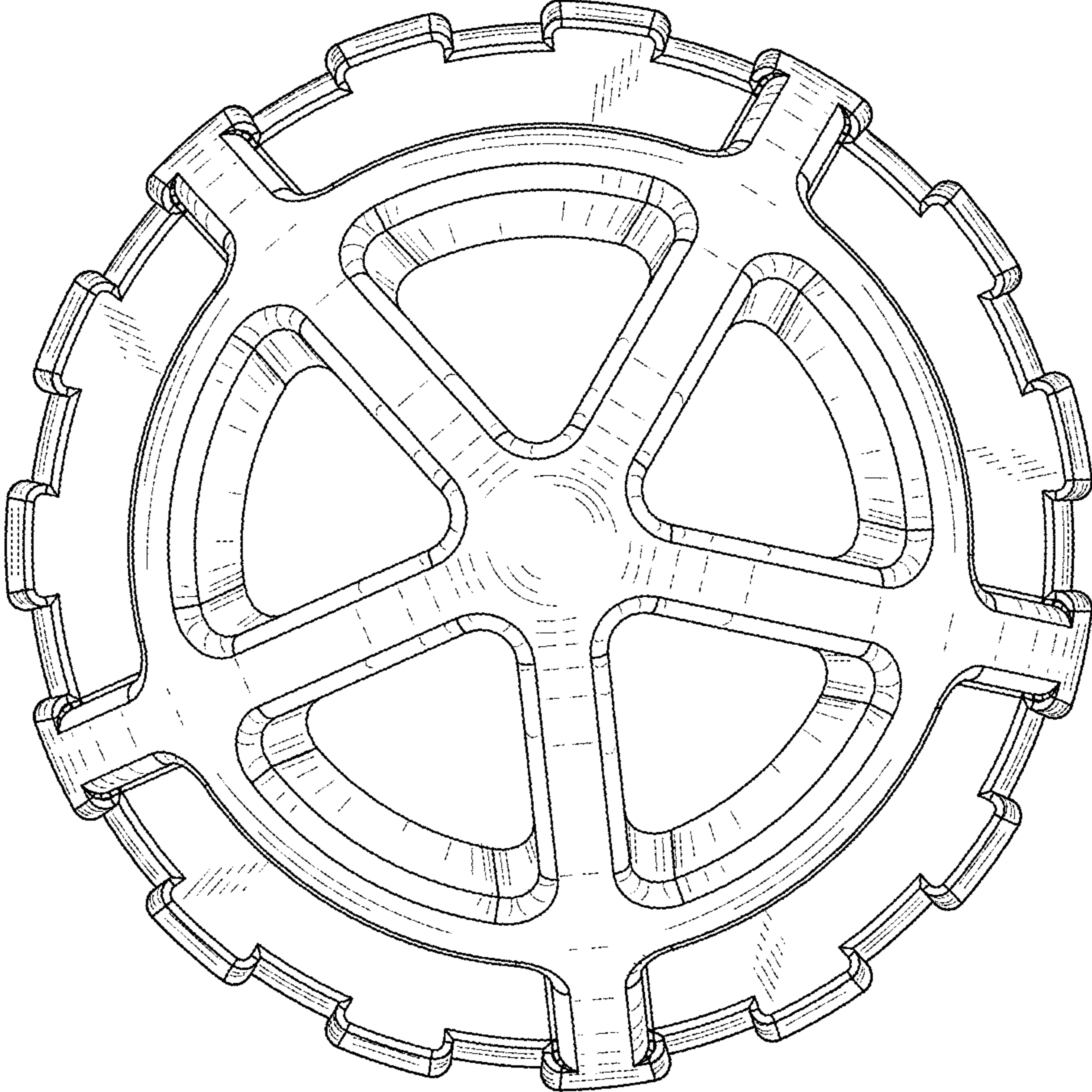


FIG. 8