



US00D776366S

(12) **United States Design Patent**  
**Carstensen**

(10) **Patent No.:** **US D776,366 S**  
(45) **Date of Patent:** **\*\* Jan. 10, 2017**

(54) **ORGANISM IMMOBILIZATION APPARATUS**

(71) Applicant: **SMITH-ROOT, INC.**, Vancouver, WA  
(US)

(72) Inventor: **Lee Roy Carstensen**, Vancouver, WA  
(US)

(73) Assignee: **SMITH-ROOT, INC.**, Vancouver, WA  
(US)

(\*\*) Term: **15 Years**

(21) Appl. No.: **29/534,569**

(22) Filed: **Jul. 29, 2015**

(51) **LOC (10) Cl.** ..... **30-02**

(52) **U.S. Cl.**  
USPC ..... **D30/106**

(58) **Field of Classification Search**  
USPC ..... D30/101-107  
CPC ..... A01K 79/02; A01K 29/005; A22B 3/06;  
A22B 3/08; A22B 3/083  
See application file for complete search history.

(56) **References Cited**

**U.S. PATENT DOCUMENTS**

5,369,365 A \* 11/1994 Waitman ..... A01K 79/02  
324/439  
5,512,014 A \* 4/1996 Burnett ..... A22B 3/06  
452/141  
7,241,212 B2 \* 7/2007 Horst ..... A22B 3/06  
452/58

8,739,736 B2 \* 6/2014 Holliman ..... A22B 3/06  
119/215  
2013/0036653 A1 \* 2/2013 Holliman ..... A22B 3/083  
43/17.1  
2016/0278353 A1 \* 9/2016 Martin ..... A01K 79/02

\* cited by examiner

*Primary Examiner* — Wan Laymon

(74) *Attorney, Agent, or Firm* — J. Curtis Edmondson;  
Law Offices of J. Curtis Edmondson

(57) **CLAIM**

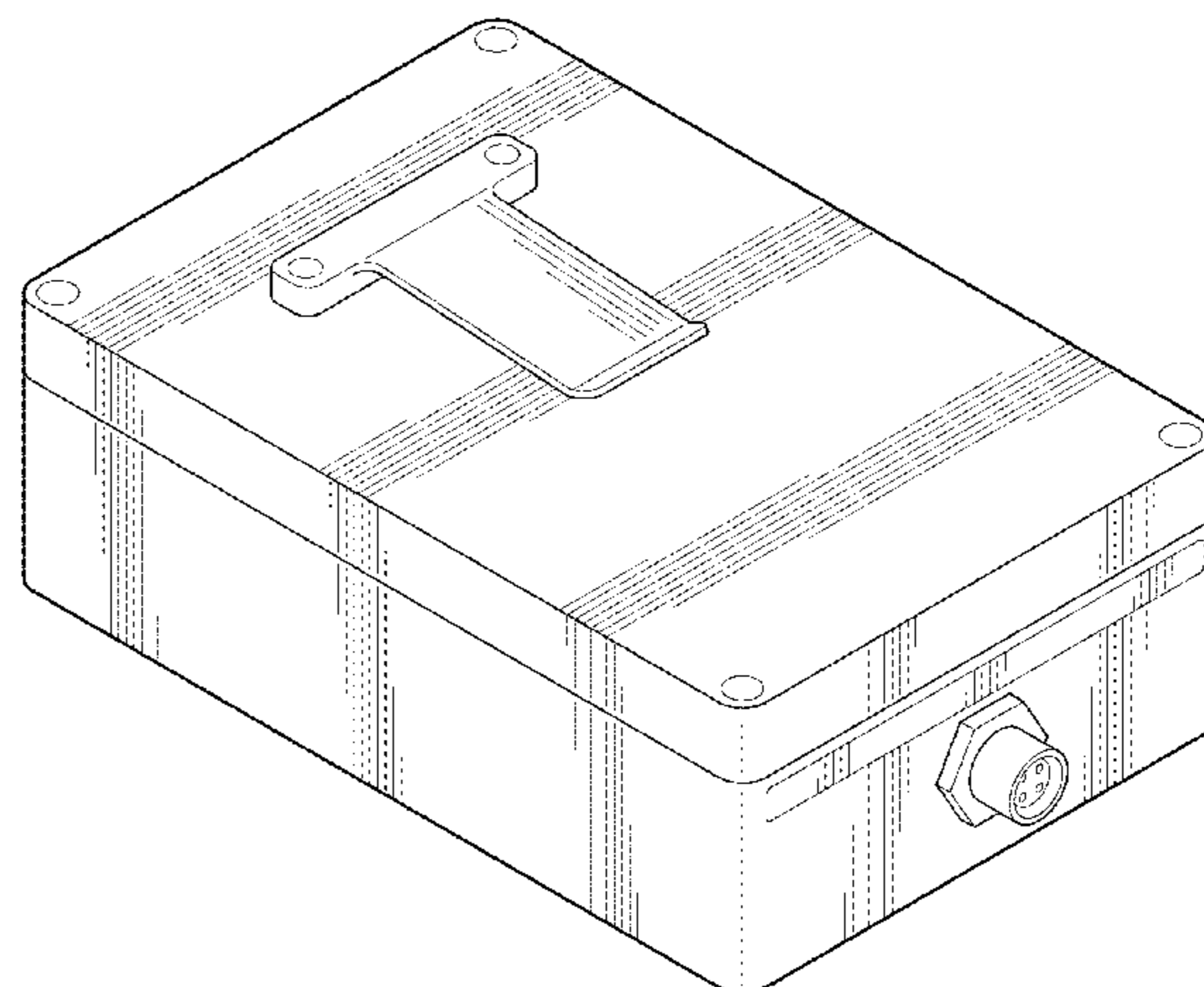
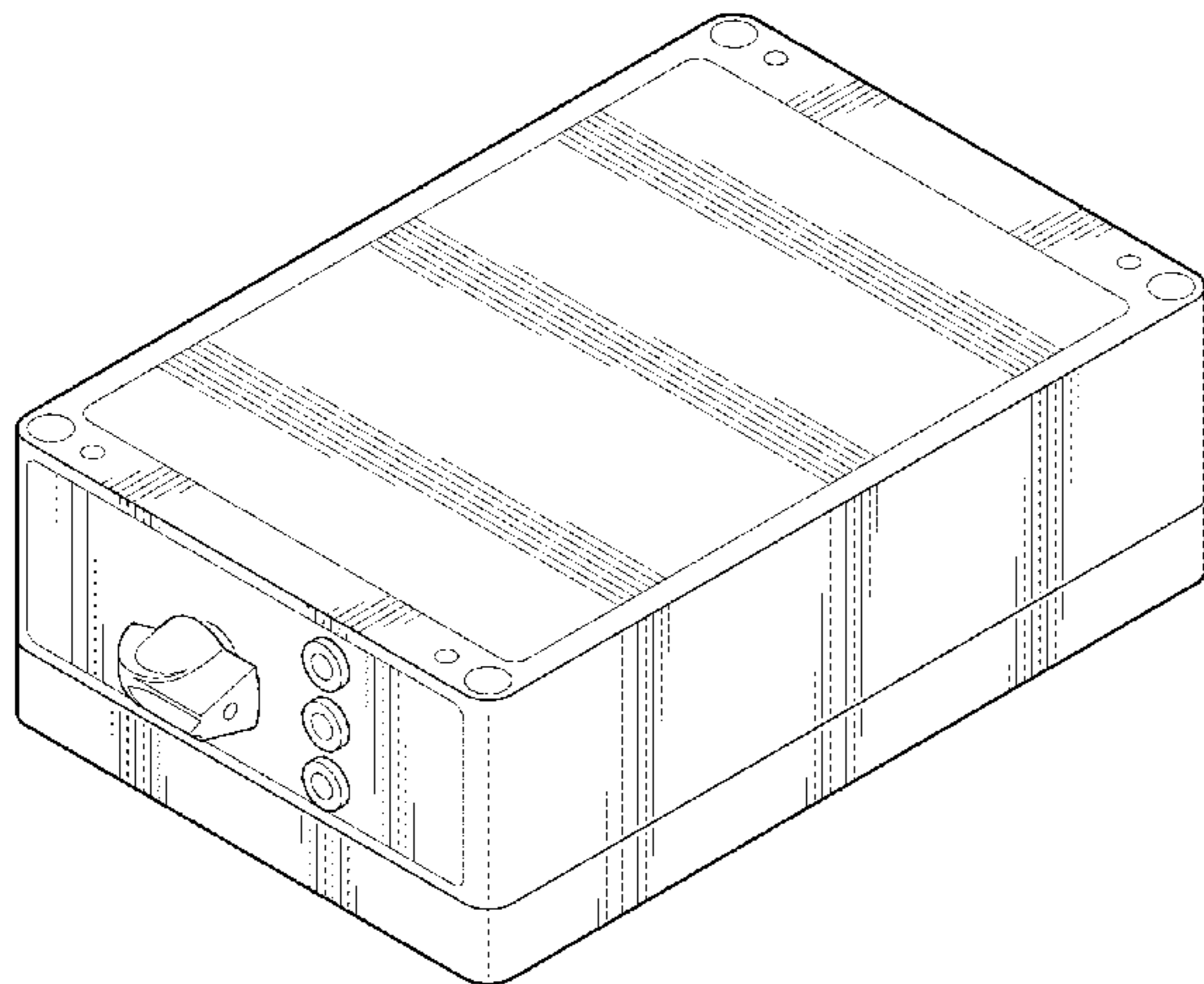
The ornamental design for an organism immobilization apparatus, as shown and described.

**DESCRIPTION**

FIG. 1 is a top front perspective view of an organism immobilization apparatus;  
FIG. 2 is a bottom rear perspective view thereof;  
FIG. 3 is a top view thereof;  
FIG. 4 is a side view thereof;  
FIG. 5 is another side view thereof;  
FIG. 6 is a top view thereof;  
FIG. 7 is a bottom view thereof;  
FIG. 8 is a rear view thereof; and,  
FIG. 9 is a reduced front view thereof with the gloves disclaimed.

The broken lines showing in FIG. 9 is for the purpose of illustrating environmental structure and forms no part of the claimed design.

**1 Claim, 7 Drawing Sheets**



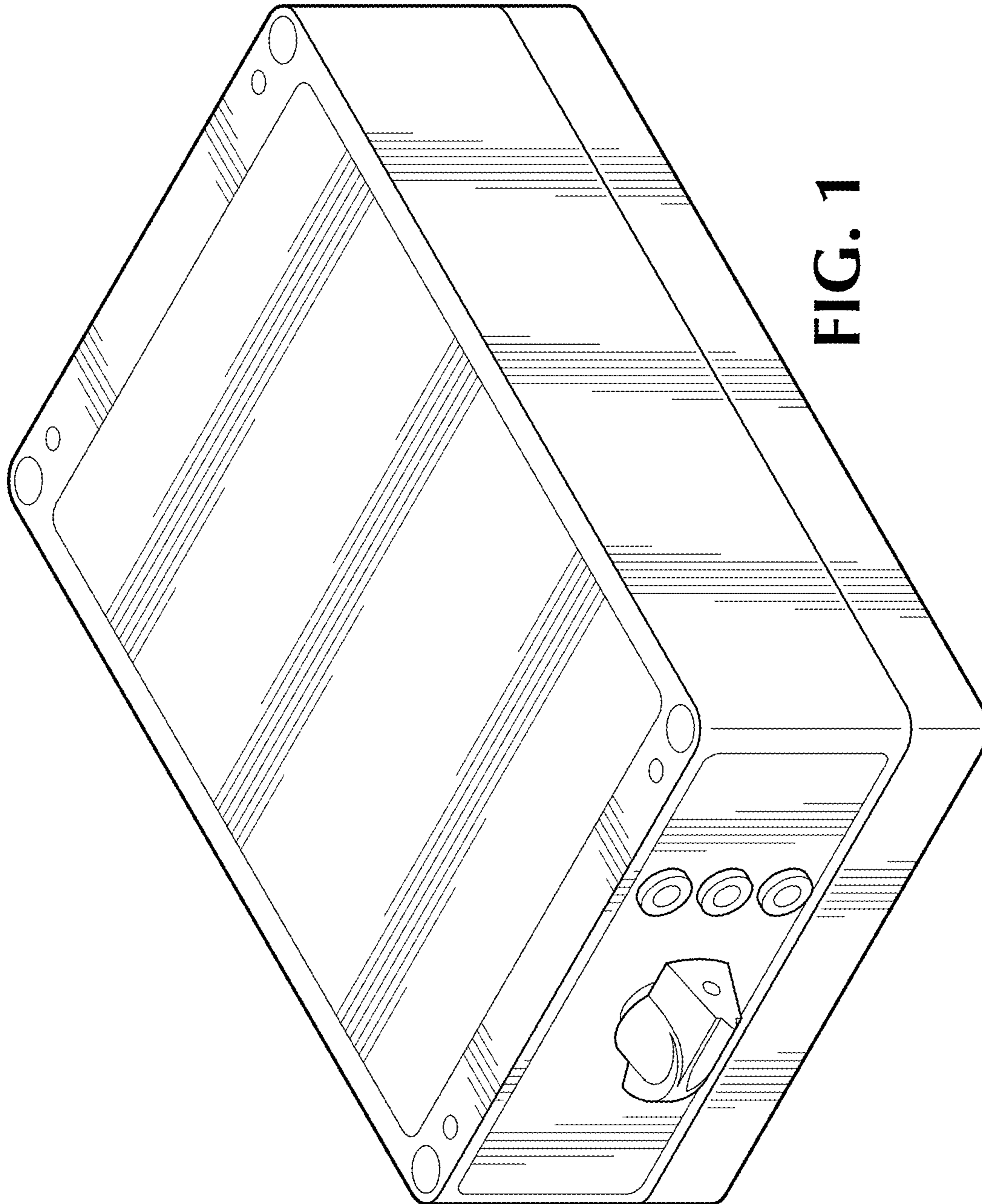


FIG. 1

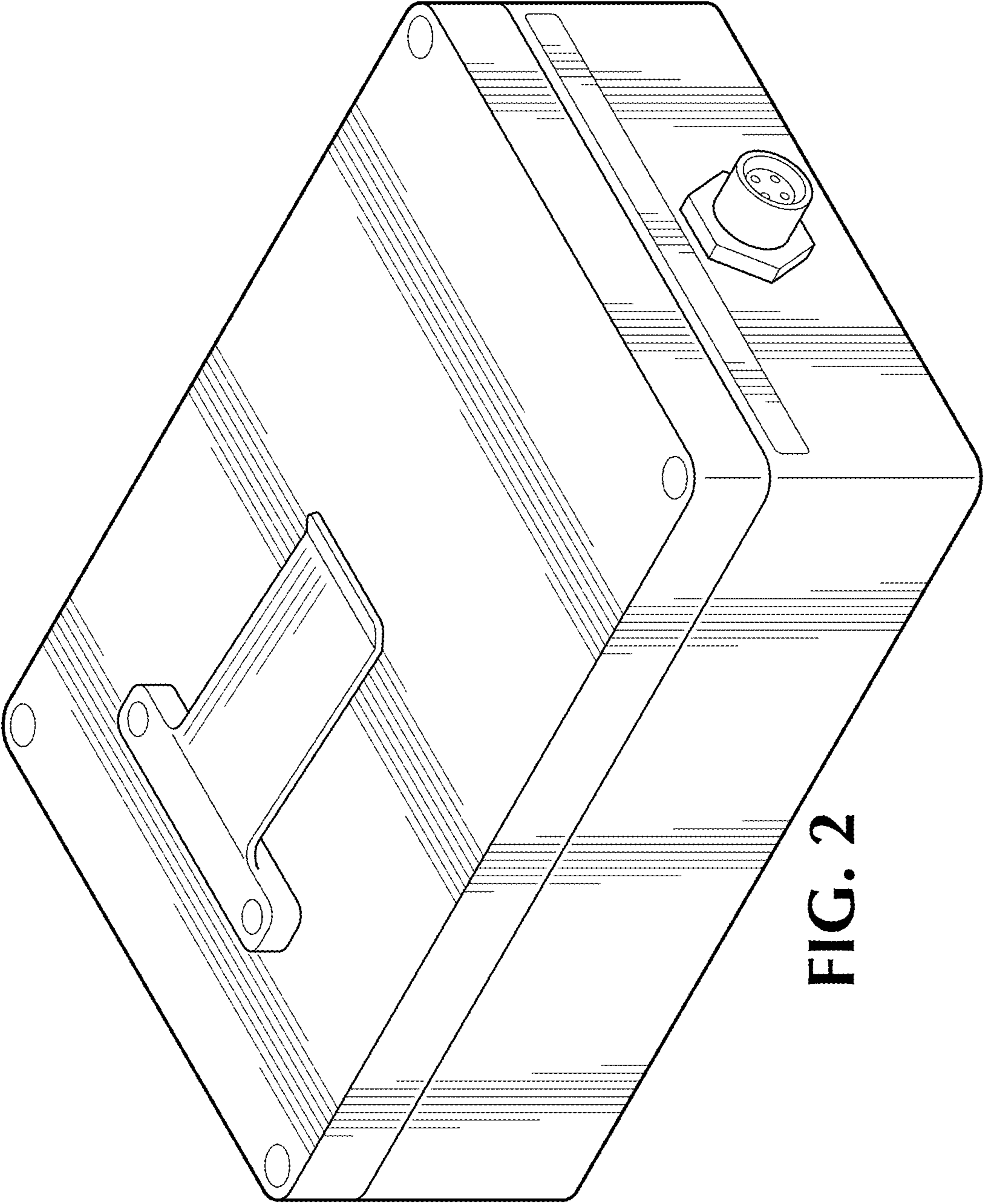


FIG. 2

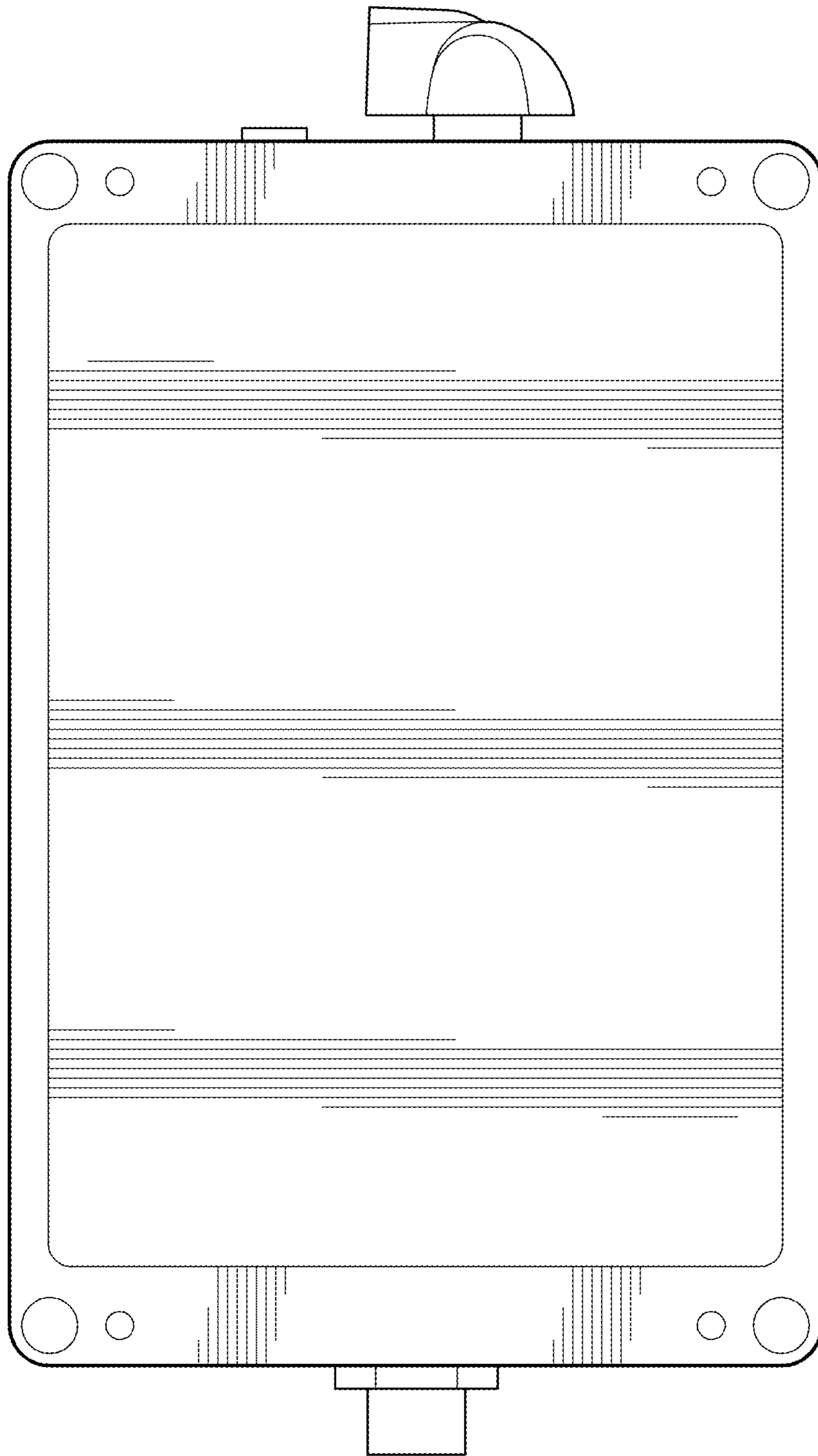


FIG. 3

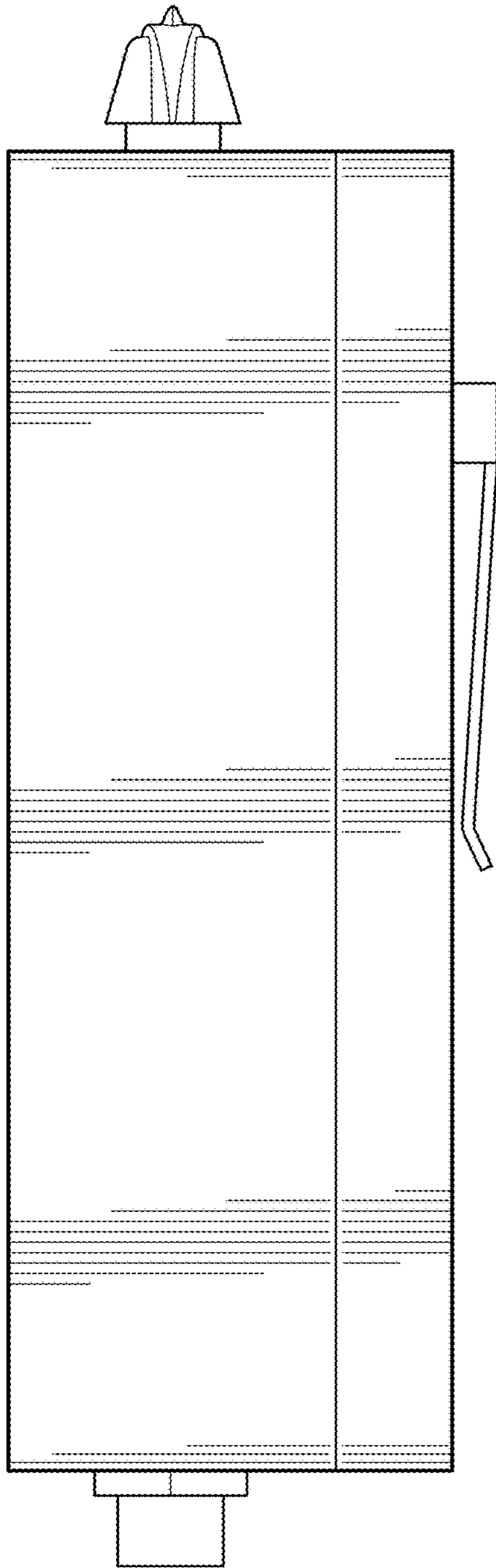


FIG. 4

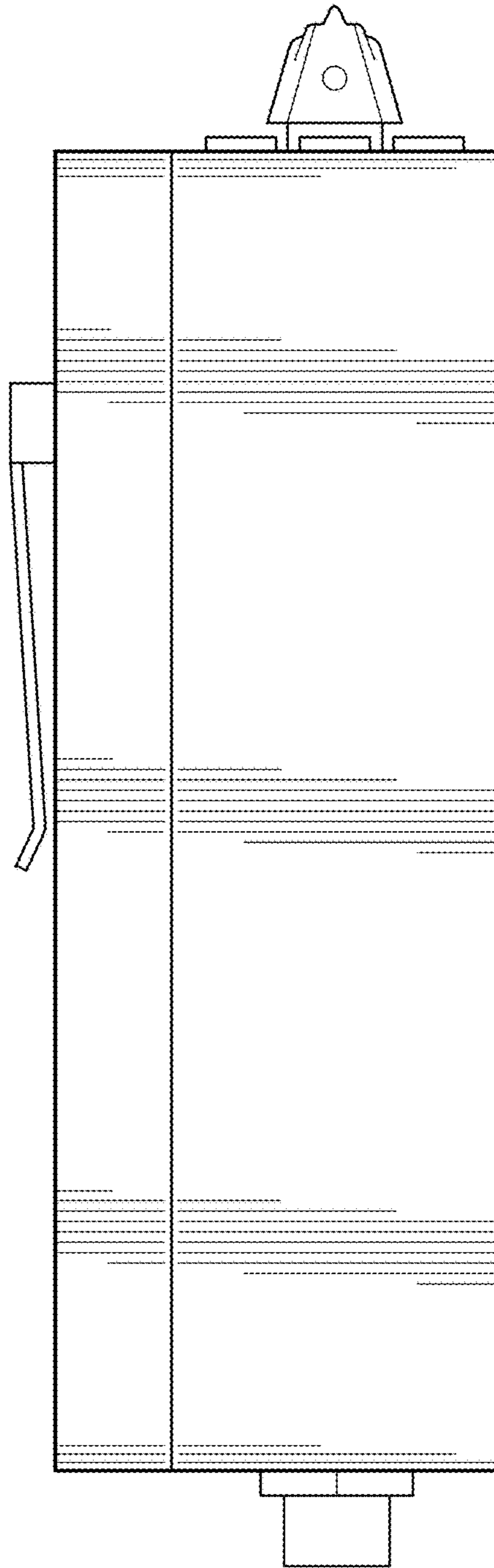
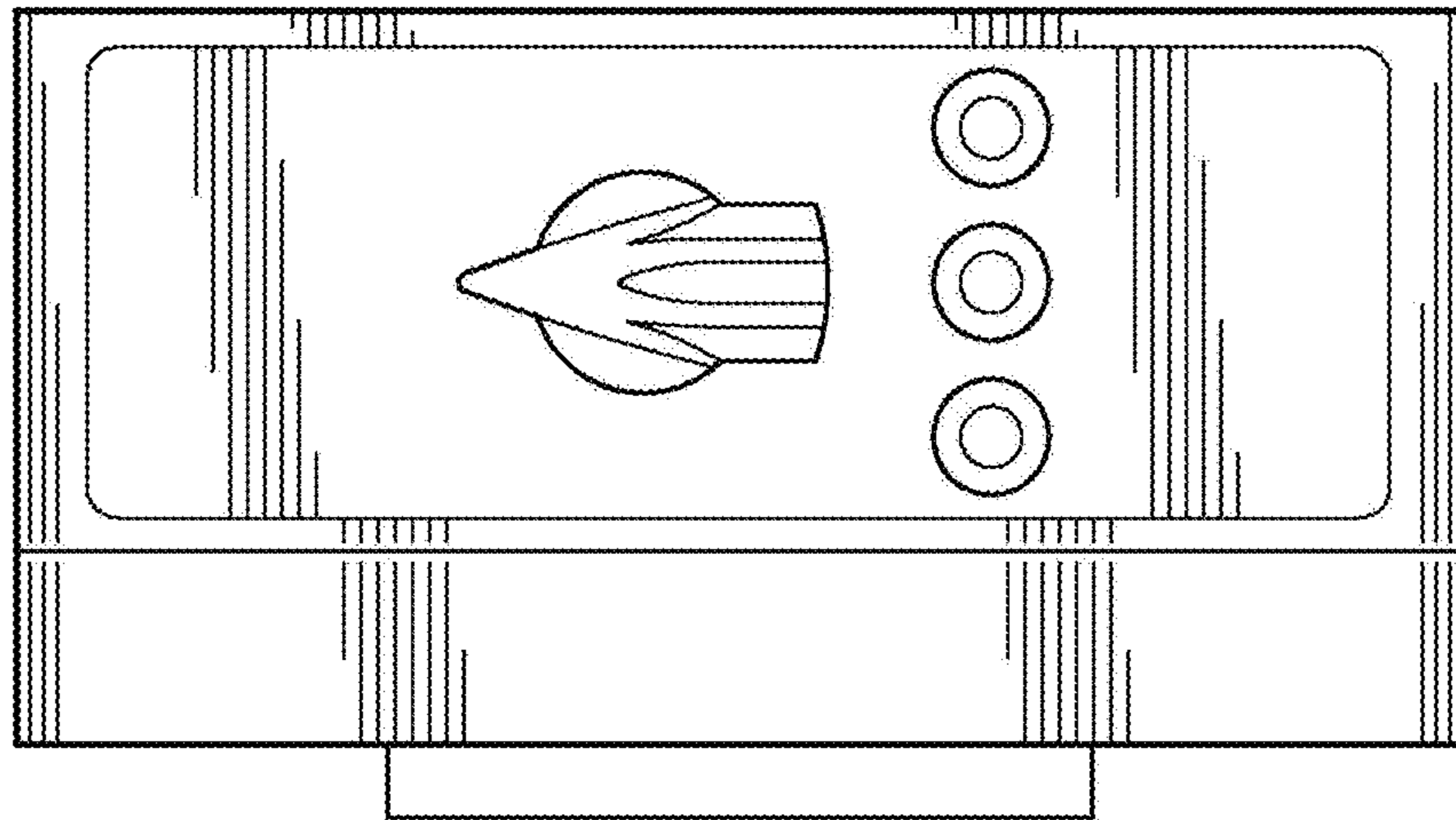
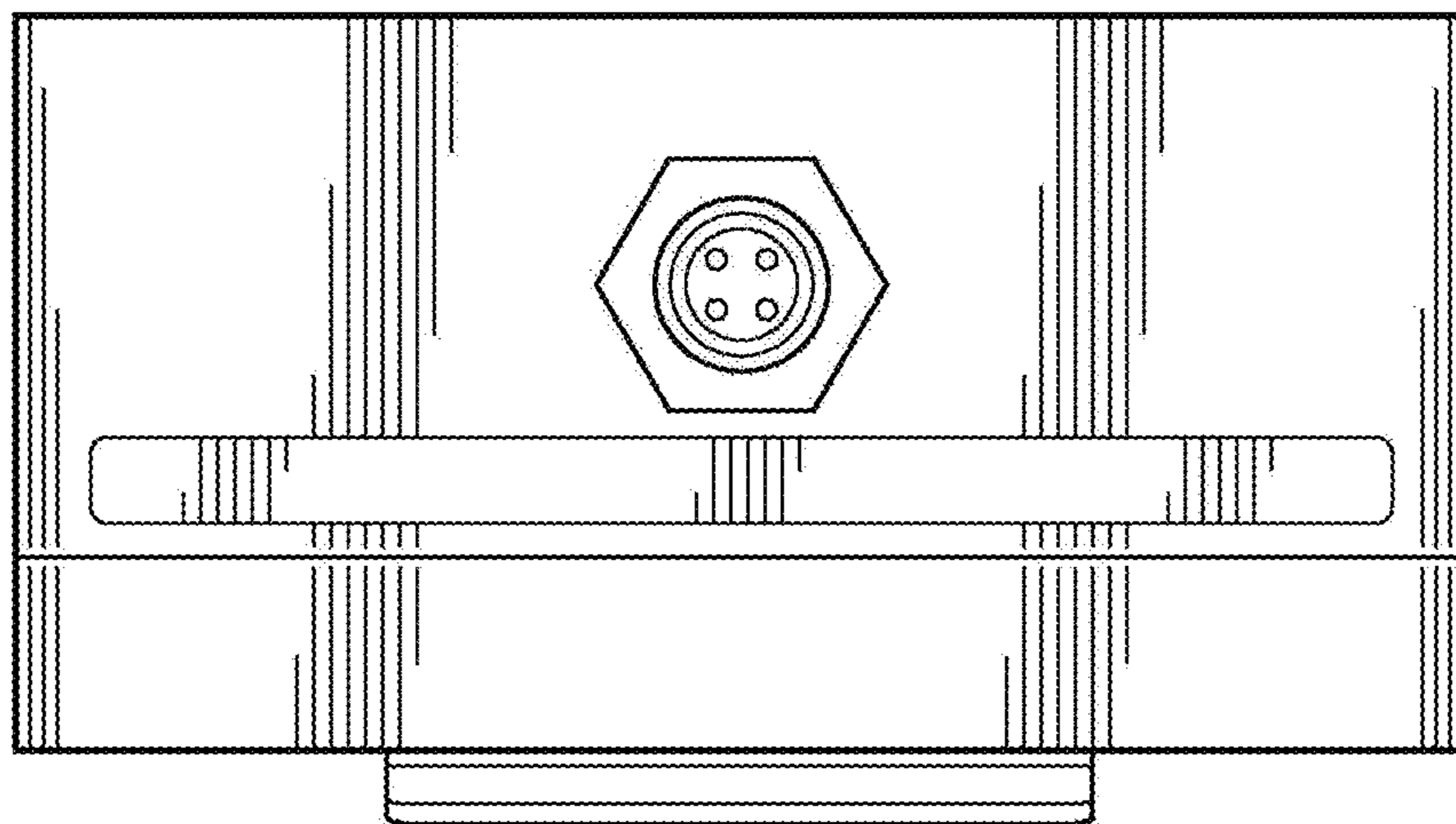


FIG. 5



**FIG. 6**



**FIG. 7**

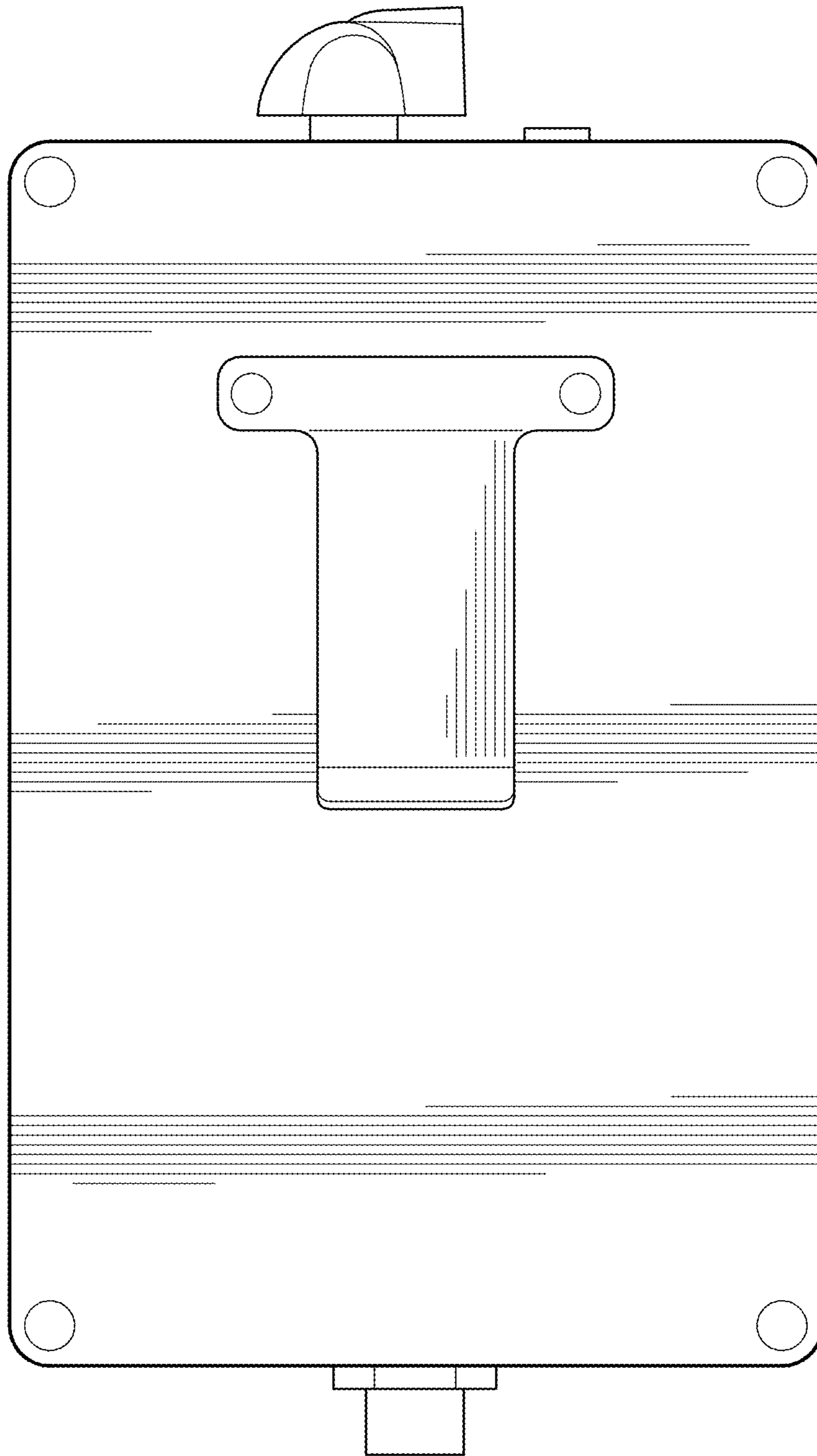


FIG. 8

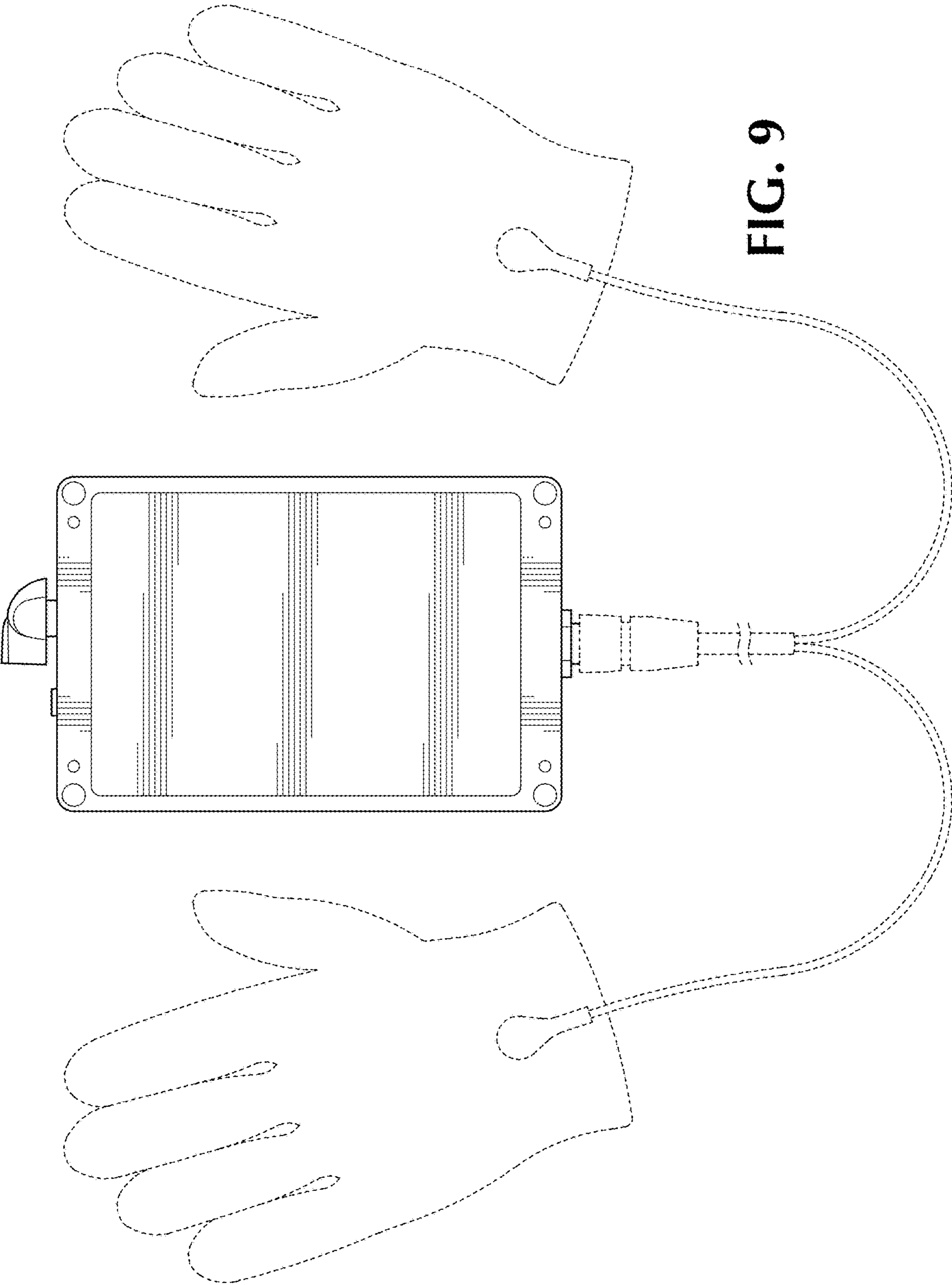


FIG. 9