



US00D776353S

(12) **United States Design Patent** (10) **Patent No.:** **US D776,353 S**
Jones (45) **Date of Patent:** **** Jan. 10, 2017**

(54) **BACK SCRUBBER**
(71) Applicant: **Dominique Jones**, Revere, MA (US)
(72) Inventor: **Dominique Jones**, Revere, MA (US)
(**) Term: **14 Years**
(21) Appl. No.: **29/446,479**
(22) Filed: **Feb. 25, 2013**

6,568,029 B1 * 5/2003 Letts 15/106
6,996,861 B1 * 2/2006 Clark, Jr. 4/606
7,120,947 B1 * 10/2006 Magallanes 4/606
7,155,769 B1 * 1/2007 Baker A47K 7/03
15/104.92
7,451,513 B2 * 11/2008 Torres 15/21.1
D590,103 S * 4/2009 Hunter D28/63
8,272,799 B1 * 9/2012 Yard 401/6
D685,553 S * 7/2013 Mead D32/40
D713,600 S * 9/2014 Chesser D28/63
D721,850 S * 1/2015 Pottinger D28/63
D732,781 S * 6/2015 Gimbel D32/40
2011/0145986 A1 * 6/2011 Rowles 4/606

Related U.S. Application Data

(63) Continuation-in-part of application No. 29/406,073, filed on Nov. 9, 2011, now Pat. No. Des. 677,003.
(51) **LOC (10) Cl.** **28-03**
(52) **U.S. Cl.**
USPC **D28/63**
(58) **Field of Classification Search**
USPC ... D28/63; 4/559, 605, 606; 15/104.92, 160; 601/136
CPC A47K 7/00; A47K 7/02; A47K 7/022; A47K 7/024; A47K 7/026; A47K 7/03; A47K 7/06; A61H 7/002; A61H 2205/08; A61H 2205/081
See application file for complete search history.

FOREIGN PATENT DOCUMENTS

CH 666180 A5 * 7/1988 A61H 15/00
GB 2375478 A * 11/2002 A46B 11/06
TW M302997 U * 12/2006

* cited by examiner

Primary Examiner — Keli L Hill
(74) *Attorney, Agent, or Firm* — Bay State IP, LLC

(57) **CLAIM**

I claim the ornamental design for a back scrubber, as shown and described.

DESCRIPTION

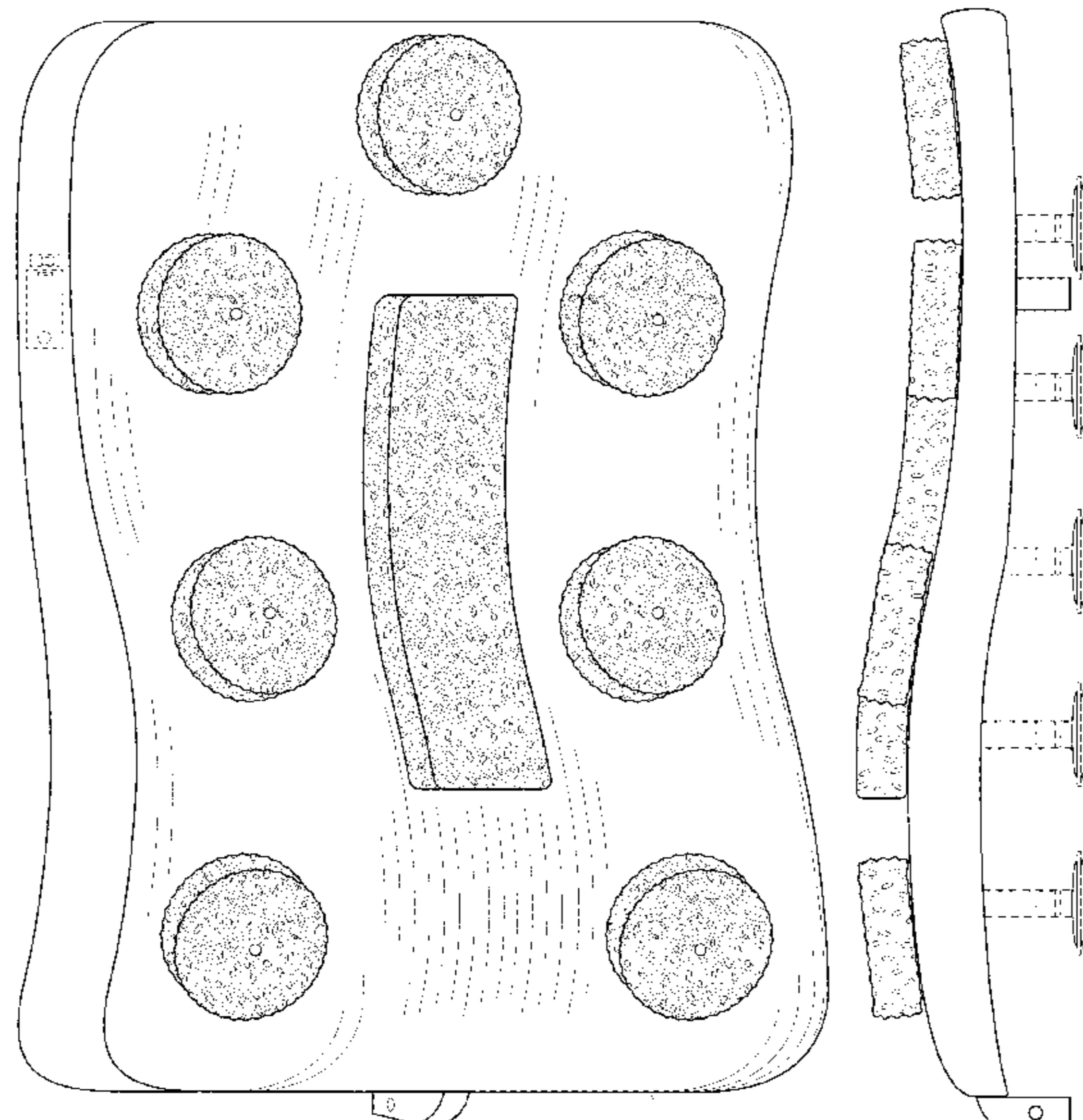
FIG. 1 is a front side perspective view showing my new design;
FIG. 2 is a back side view thereof;
FIG. 3 is a front side view thereof;
FIG. 4 is a left side view thereof;
FIG. 5 is a right side view thereof;
FIG. 6 is a top view thereof; and,
FIG. 7 is a bottom view thereof.
The broken lines have been shown for the purpose of illustrating environment that forms no part of the claimed design.

(56) **References Cited**

U.S. PATENT DOCUMENTS

1,833,426 A * 11/1931 Knudson 606/240
4,696,068 A * 9/1987 Kenner A47K 7/024
15/210.1
4,699,127 A * 10/1987 Schley 601/136
D332,178 S * 1/1993 Proctor D4/119
D344,633 S * 3/1994 Ali D28/63
D351,505 S * 10/1994 Mastellone D4/116
D354,587 S * 1/1995 Bush, Sr. D28/63
D362,074 S * 9/1995 Brown D24/211
5,628,083 A * 5/1997 Hayes 15/244.3
D379,698 S * 6/1997 Freudenberg D32/40
6,174,296 B1 * 1/2001 Wang 601/114

1 Claim, 5 Drawing Sheets



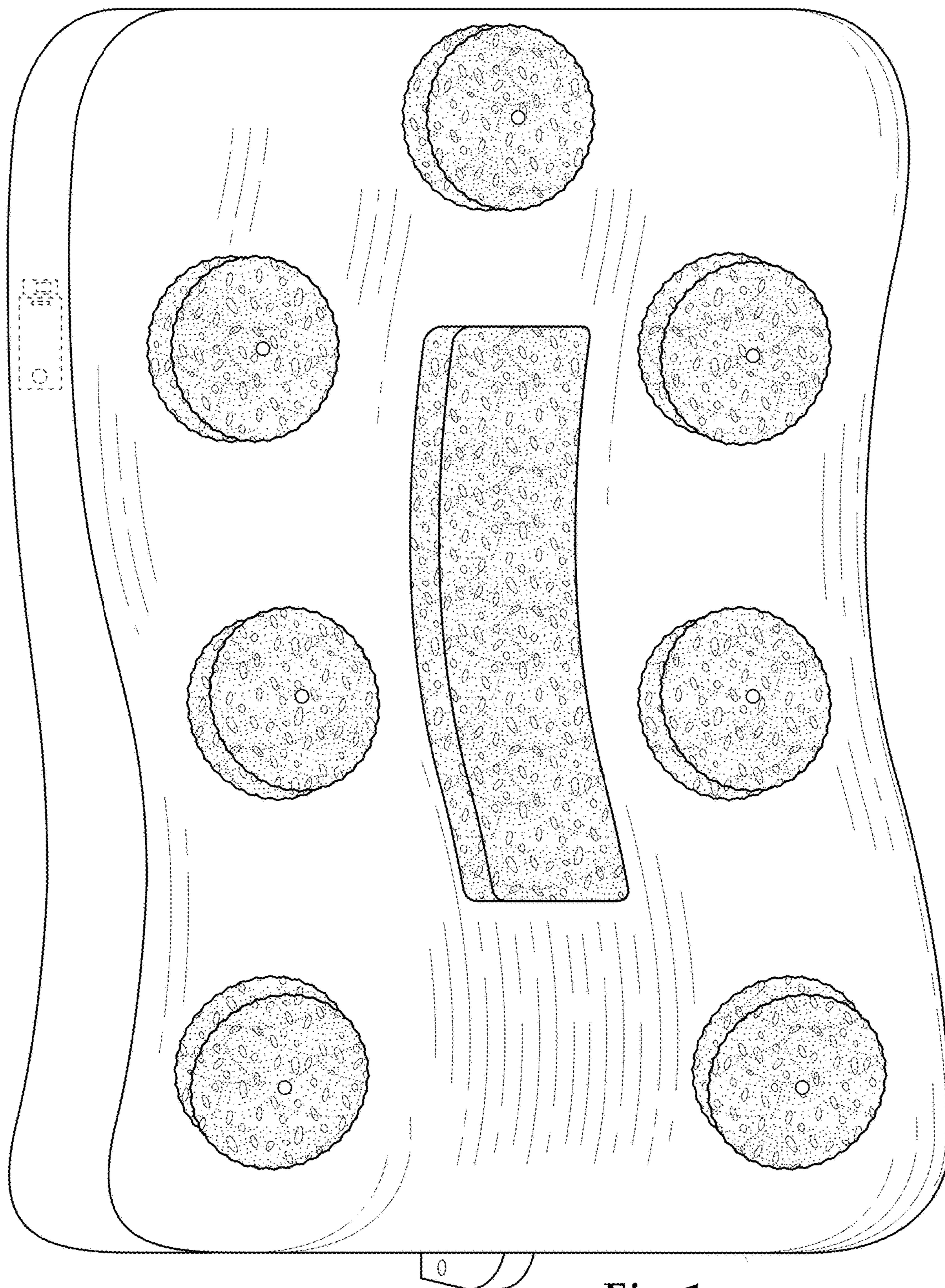


Fig. 1

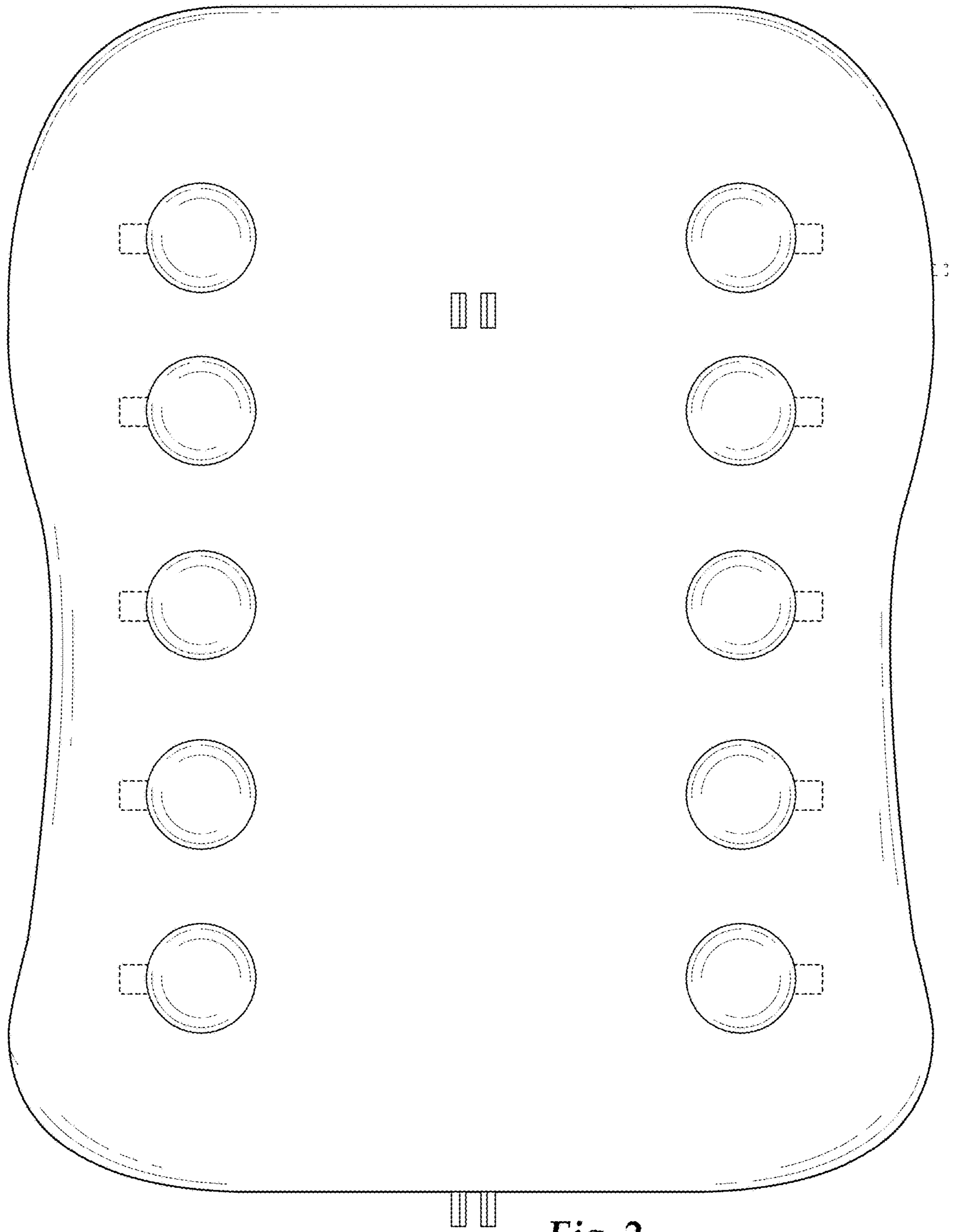


Fig. 2

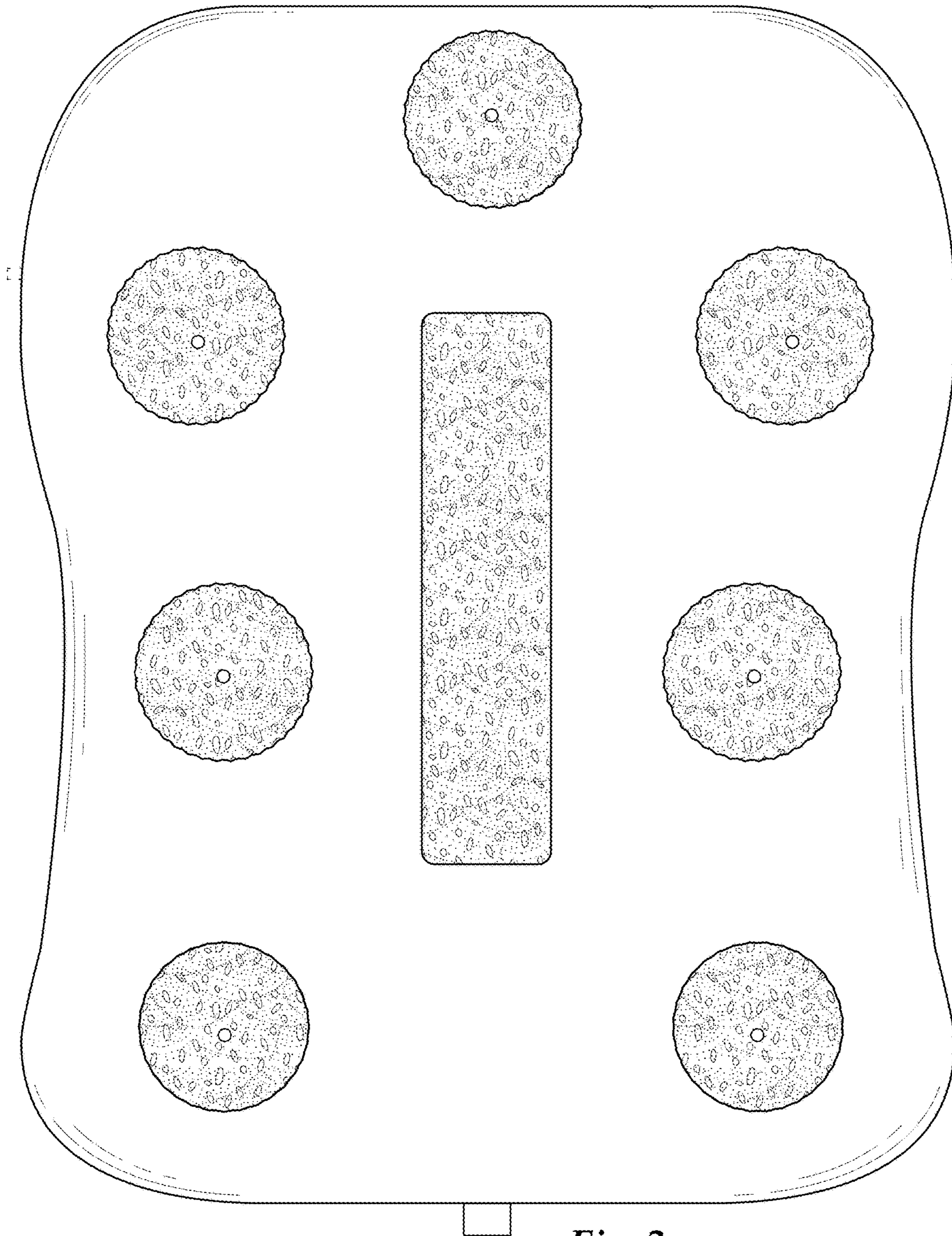


Fig. 3

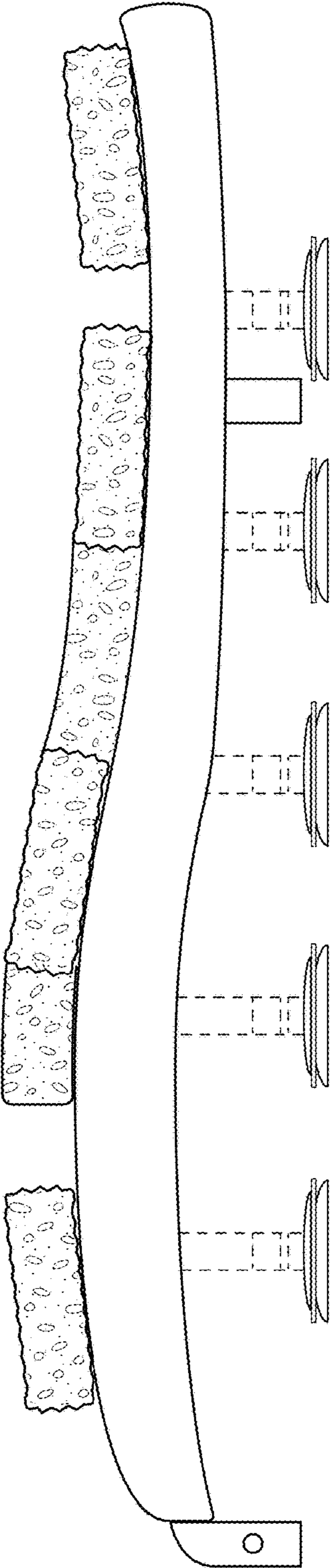


Fig. 4

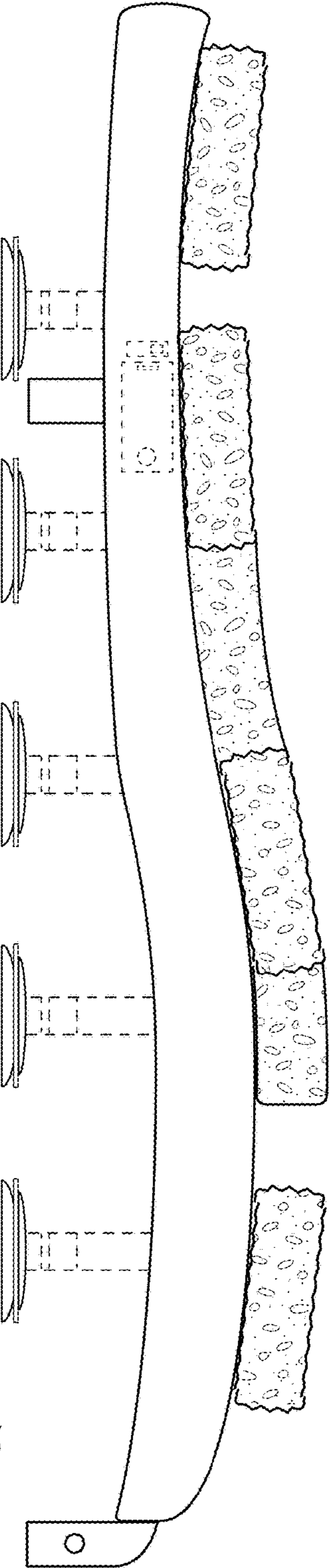


Fig. 5

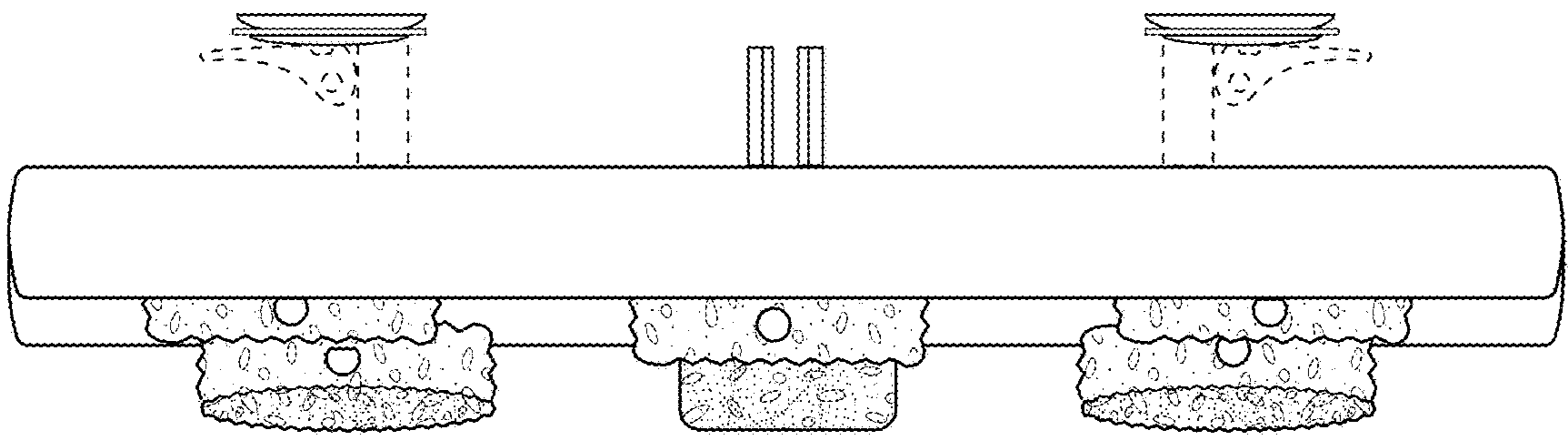


Fig. 6

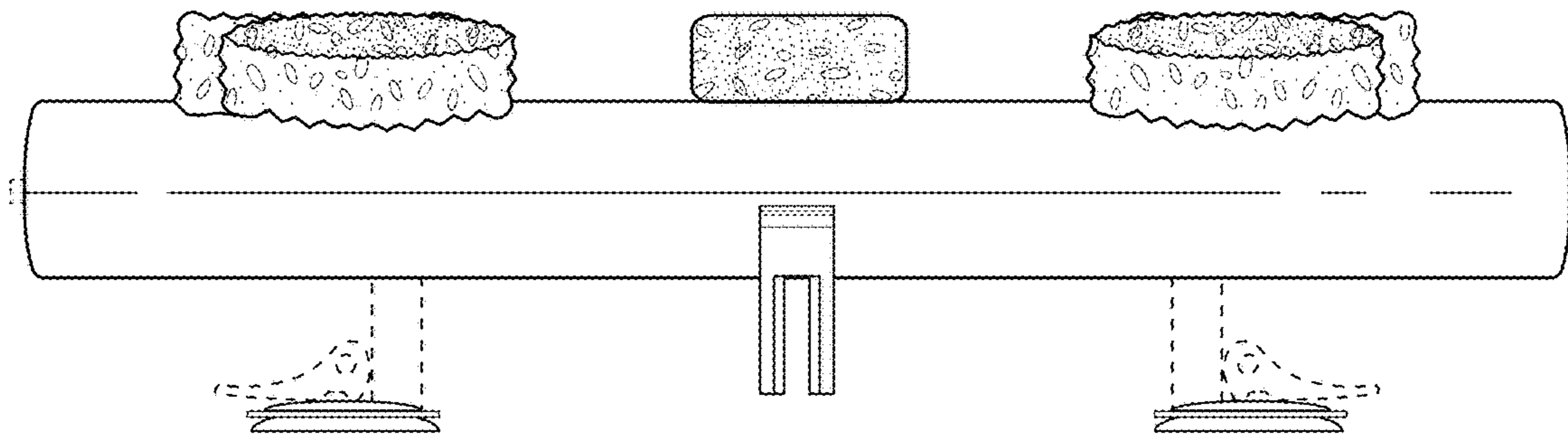


Fig. 7