



US00D776349S

(12) **United States Design Patent**
Skye

(10) **Patent No.:** **US D776,349 S**

(45) **Date of Patent:** **** Jan. 10, 2017**

(54) **CLIPPER BLADE PROTECTOR**

(71) Applicant: **Maiya N. Skye**, Temple Hills, MD
(US)

(72) Inventor: **Maiya N. Skye**, Temple Hills, MD
(US)

(**) Term: **15 Years**

(21) Appl. No.: **29/505,569**

(22) Filed: **Dec. 23, 2015**

(51) **LOC (10) Cl.** **28-03**

(52) **U.S. Cl.**
USPC **D28/54**

(58) **Field of Classification Search**
USPC D28/54
CPC .. B26B 19/38; B26B 19/3806; B26B 19/3826;
B26B 19/3846; B26B 19/20; B26B
19/205; B26B 19/3813
See application file for complete search history.

(56) **References Cited**

U.S. PATENT DOCUMENTS

2,662,719 A	12/1953	Hammond	
D221,501 S *	8/1971	Seiffert	D28/54
6,076,263 A *	6/2000	Andis	B26B 19/3853 30/210
8,826,922 B1	9/2014	Lewis	
2004/0250429 A1 *	12/2004	McCambridge	B26B 19/20 30/233.5

2012/0110859 A1 *	5/2012	Kammer	B26B 19/06 30/223
2013/0192068 A1 *	8/2013	Kammer	B26B 19/386 30/43.9
2015/0251325 A1 *	9/2015	Teteak	B26B 19/386 30/228

* cited by examiner

Primary Examiner — Jennifer Rivard

(74) *Attorney, Agent, or Firm* — Cahn & Samuels, LLP

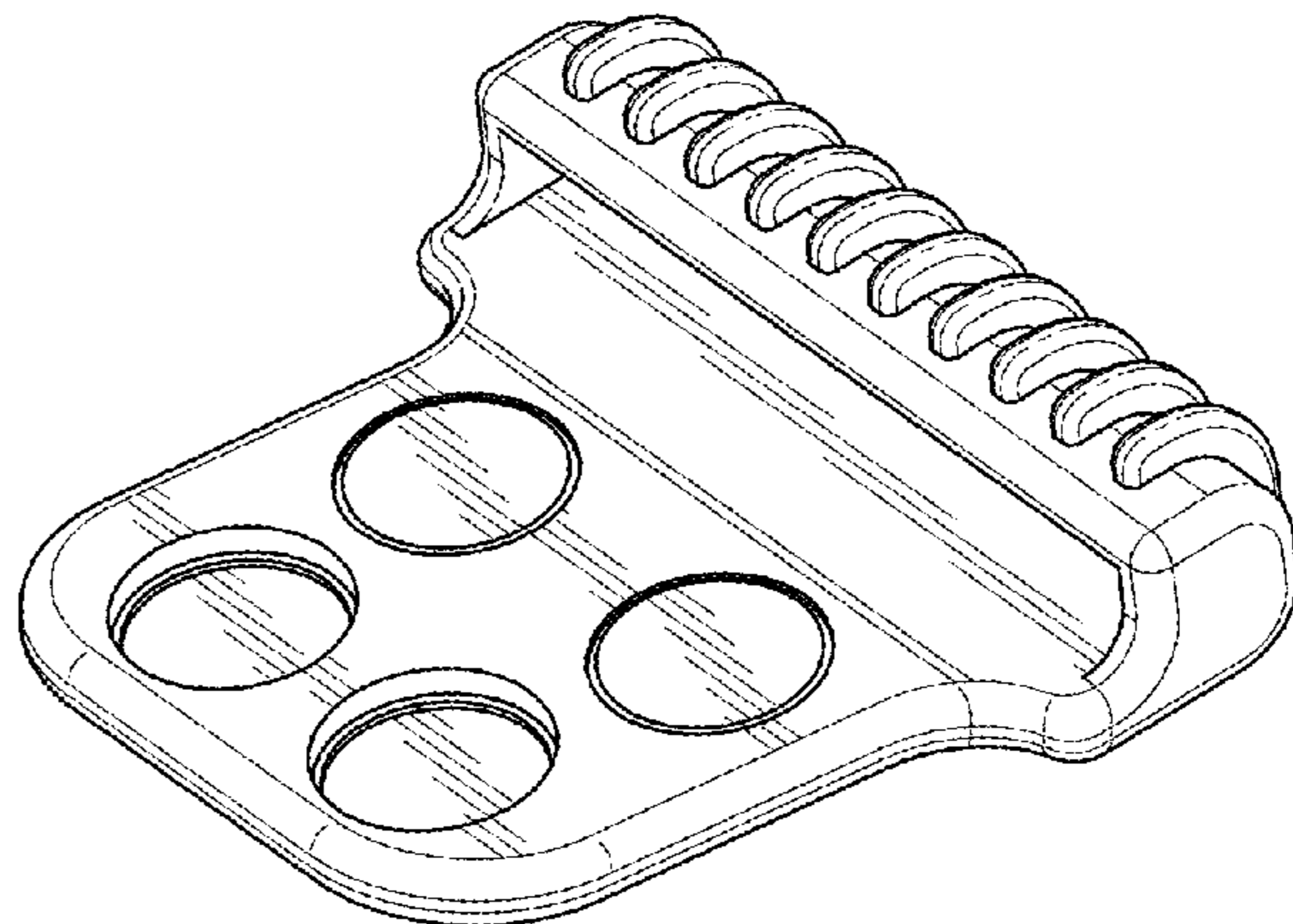
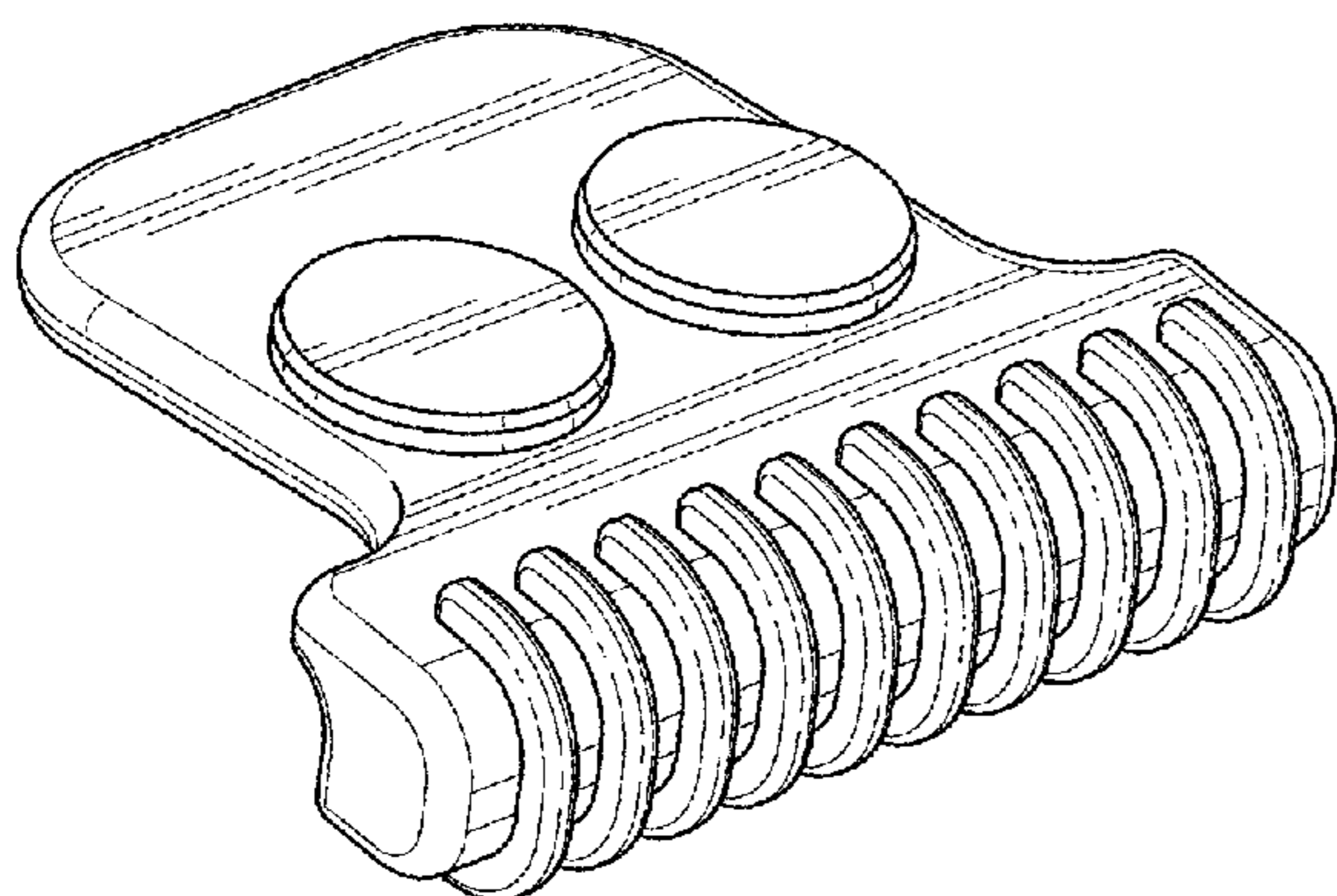
(57) **CLAIM**

The ornamental design for a clipper blade protector, as shown and described.

DESCRIPTION

FIG. 1 illustrates a front perspective view of a clipper blade protector.
 FIG. 2 illustrates a bottom perspective view of the clipper blade protector of FIG. 1.
 FIG. 3 illustrates a top view of the clipper blade protector of FIG. 1.
 FIG. 4 illustrates a bottom view of the clipper blade protector of FIG. 1.
 FIG. 5 illustrates a front view of the clipper blade protector of FIG. 1.
 FIG. 6 illustrates a rear view of the clipper blade protector of FIG. 1.
 FIG. 7 illustrates a right side view of the clipper blade protector of FIG. 1; and,
 FIG. 8 illustrates a left side view of the clipper blade protector of FIG. 1.
 The broken lines showing a hair clipper in FIG. 1 is for the purpose of illustrating environmental structure and form no part of the claimed design.

1 Claim, 3 Drawing Sheets



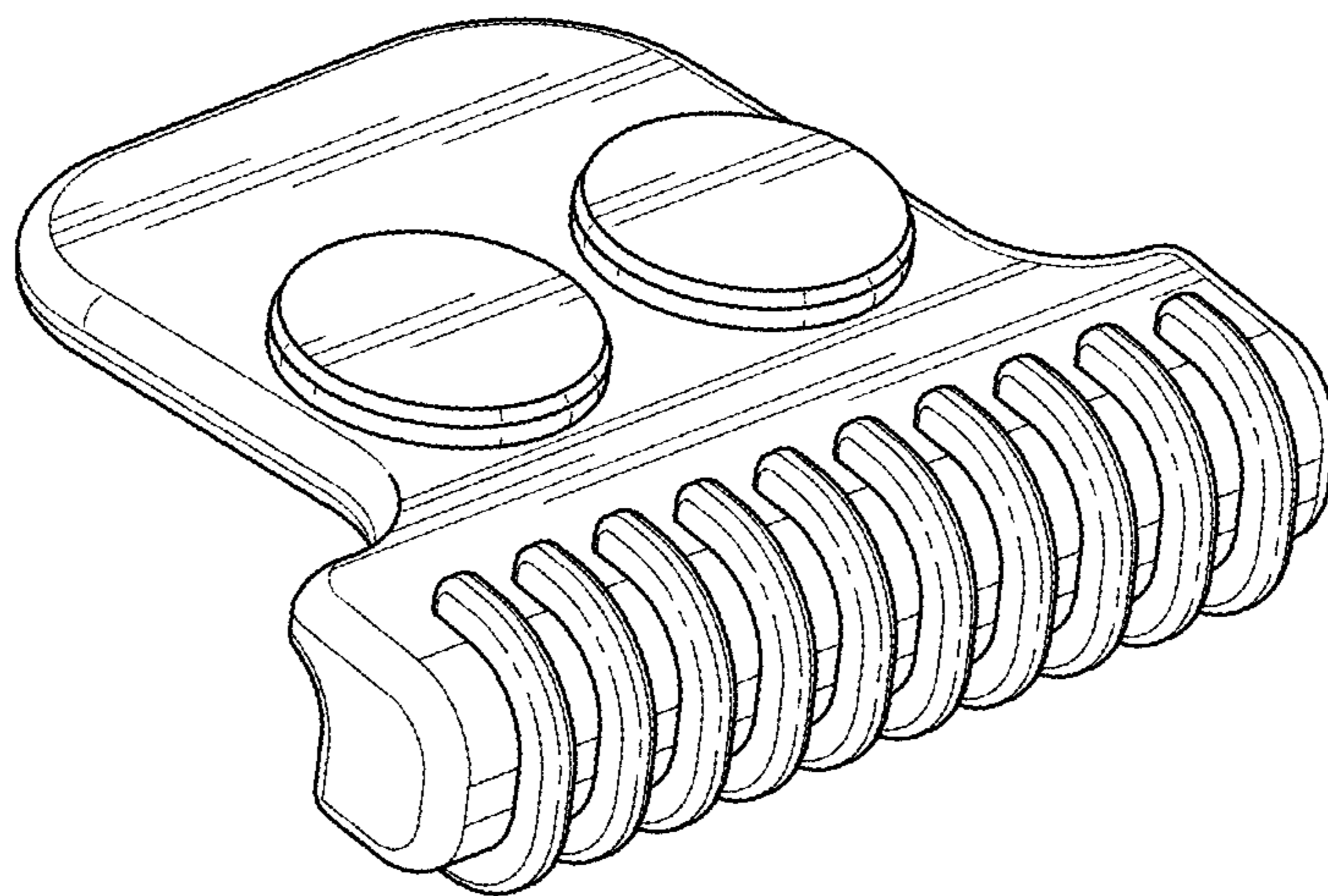


FIG. 1

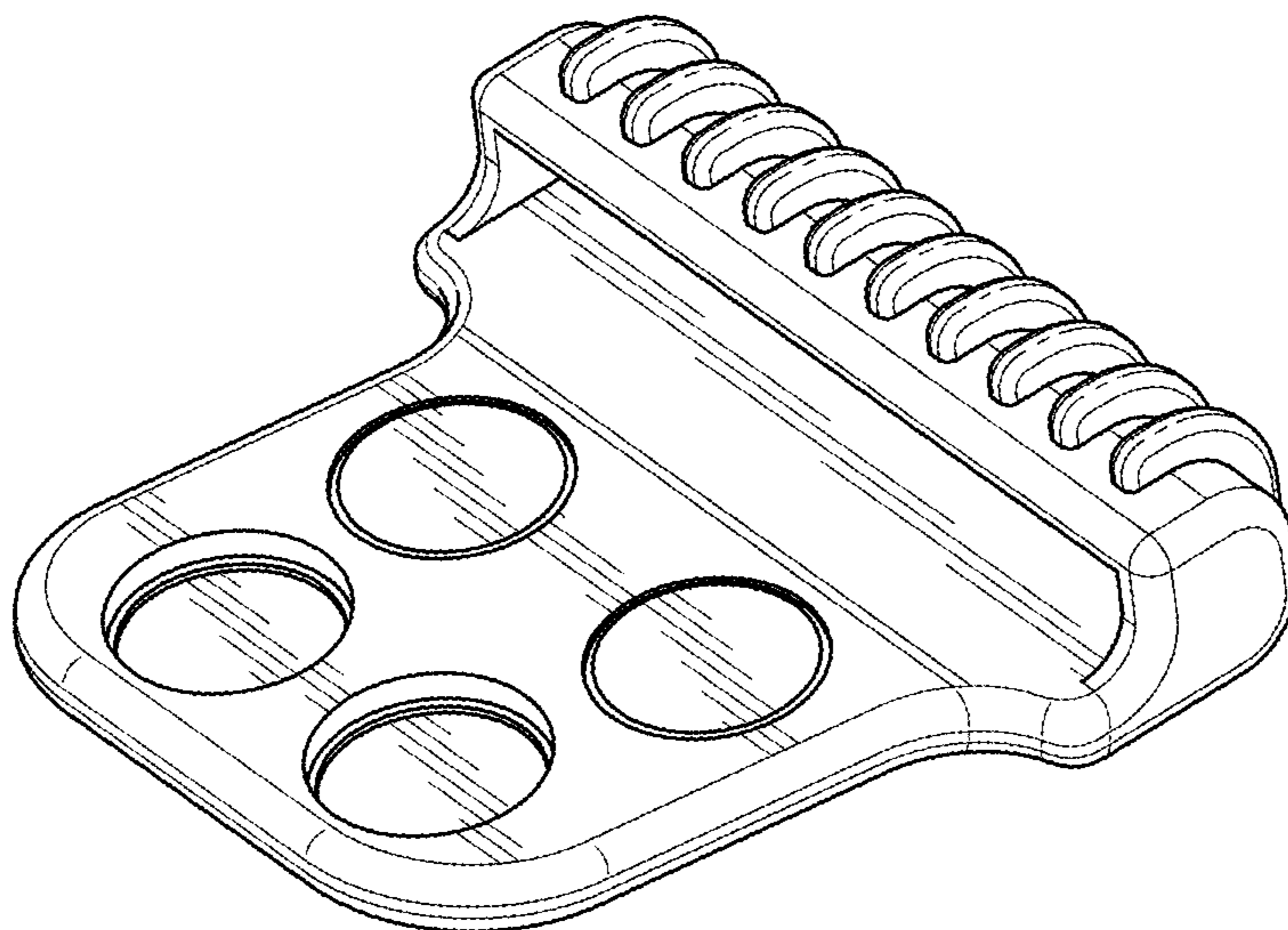


FIG. 2

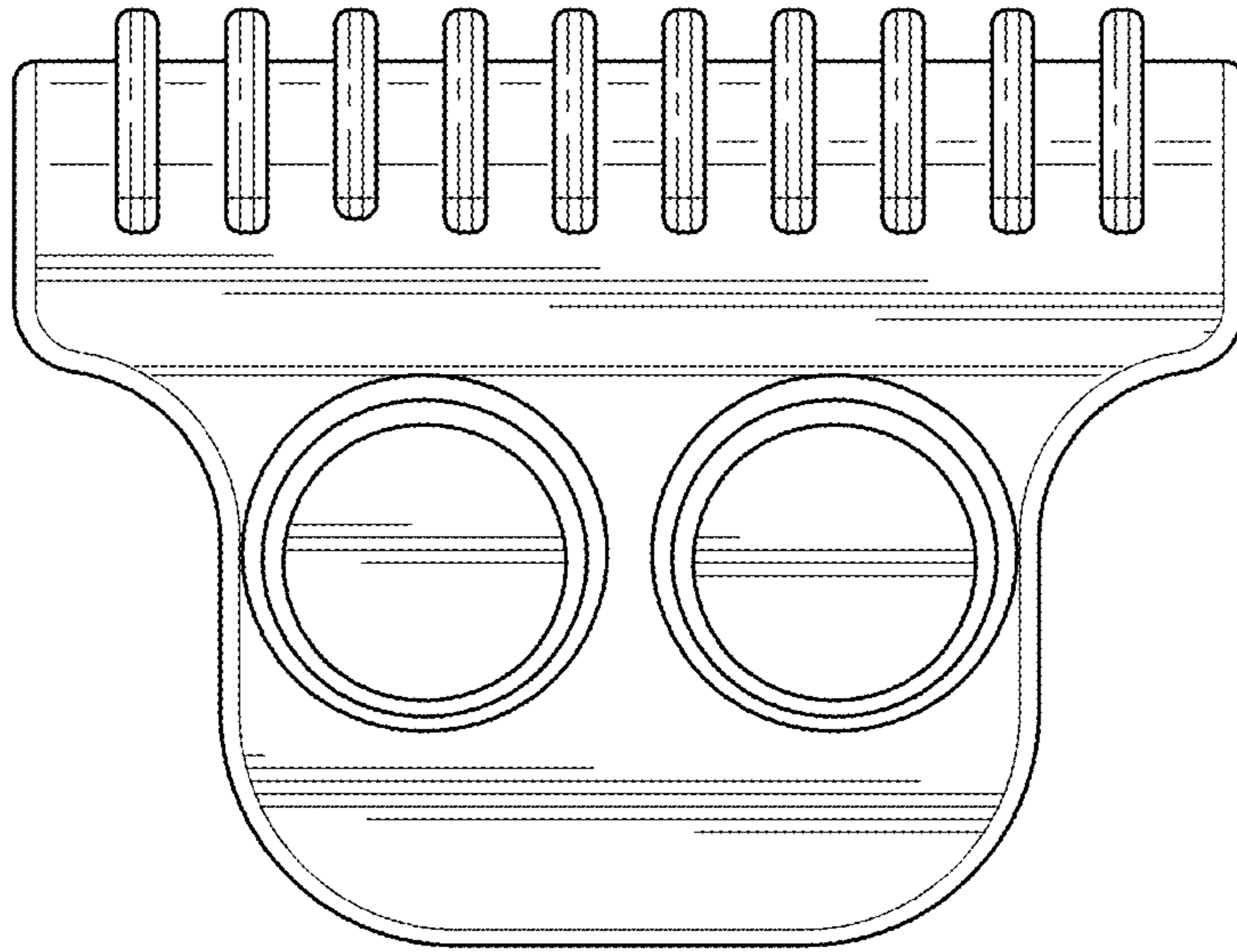


FIG. 3

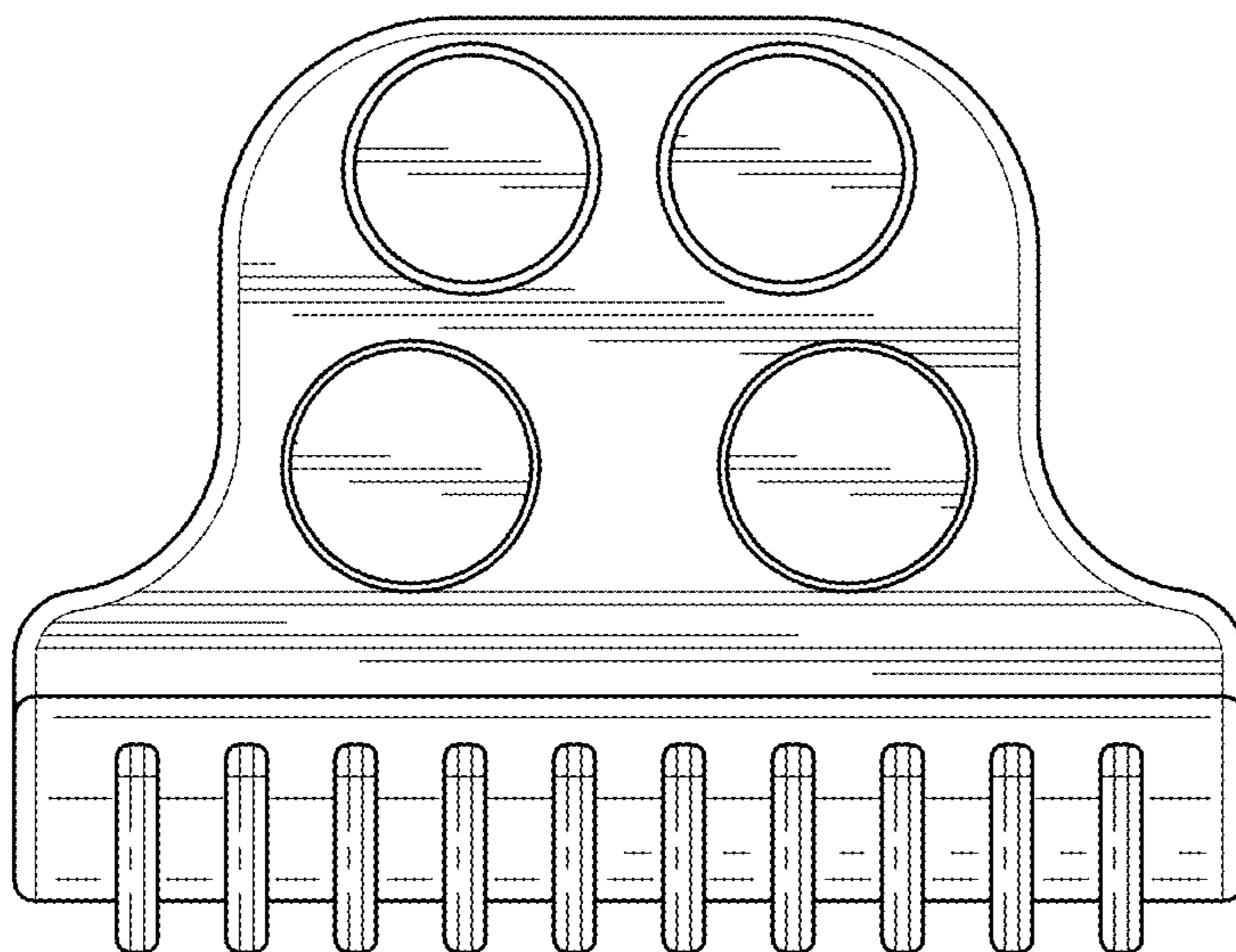


FIG. 4

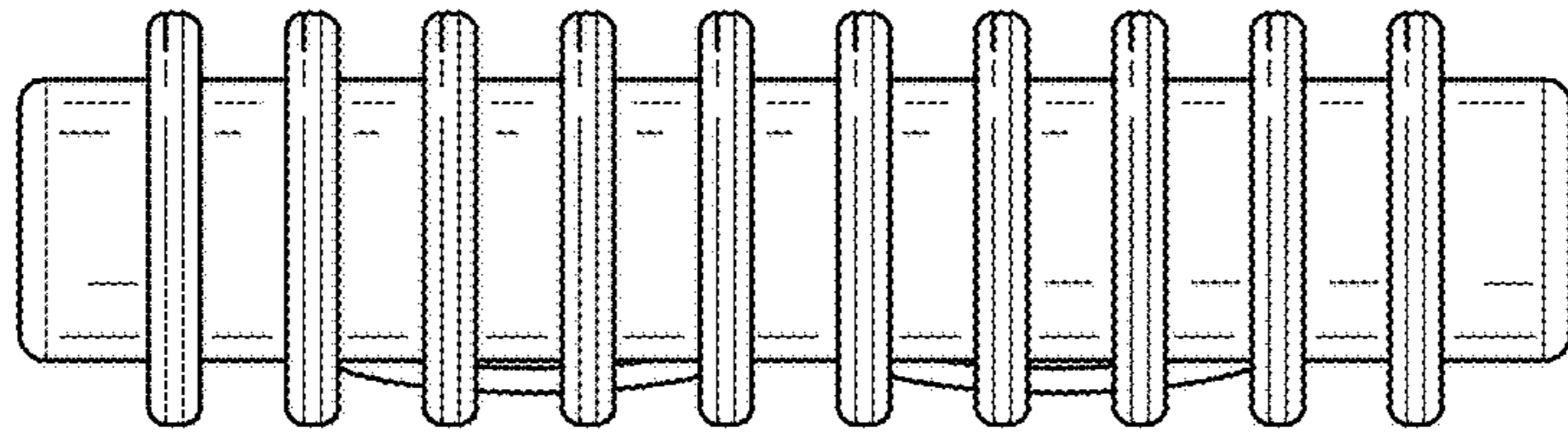


FIG. 5

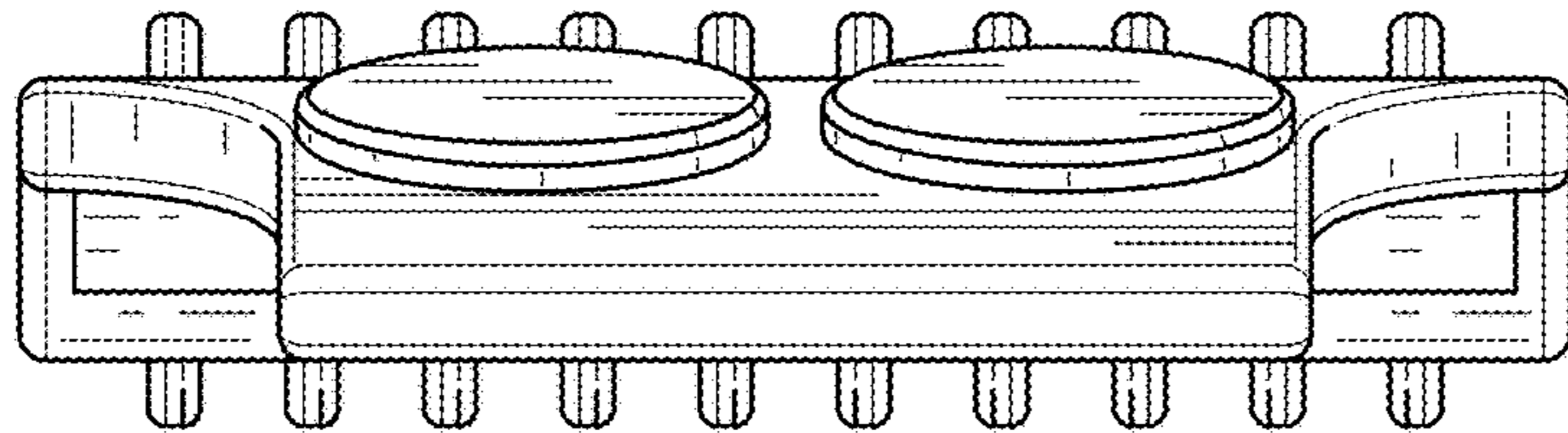


FIG. 6

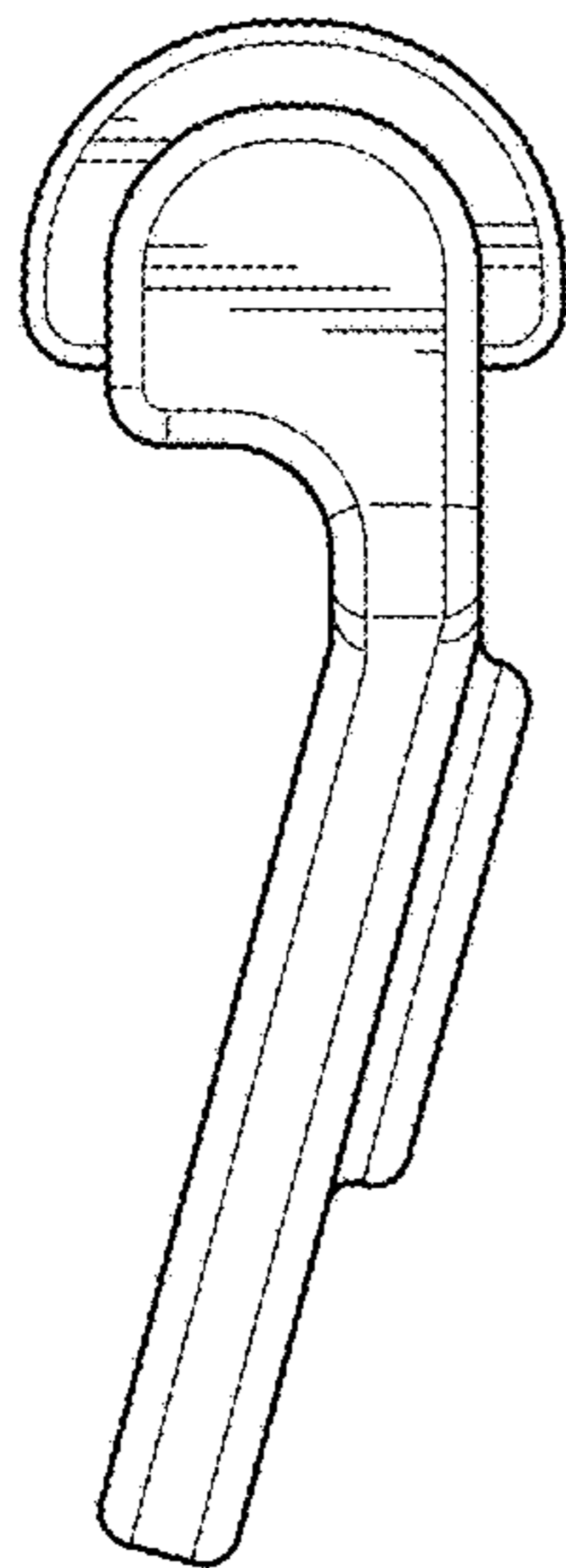


FIG. 7

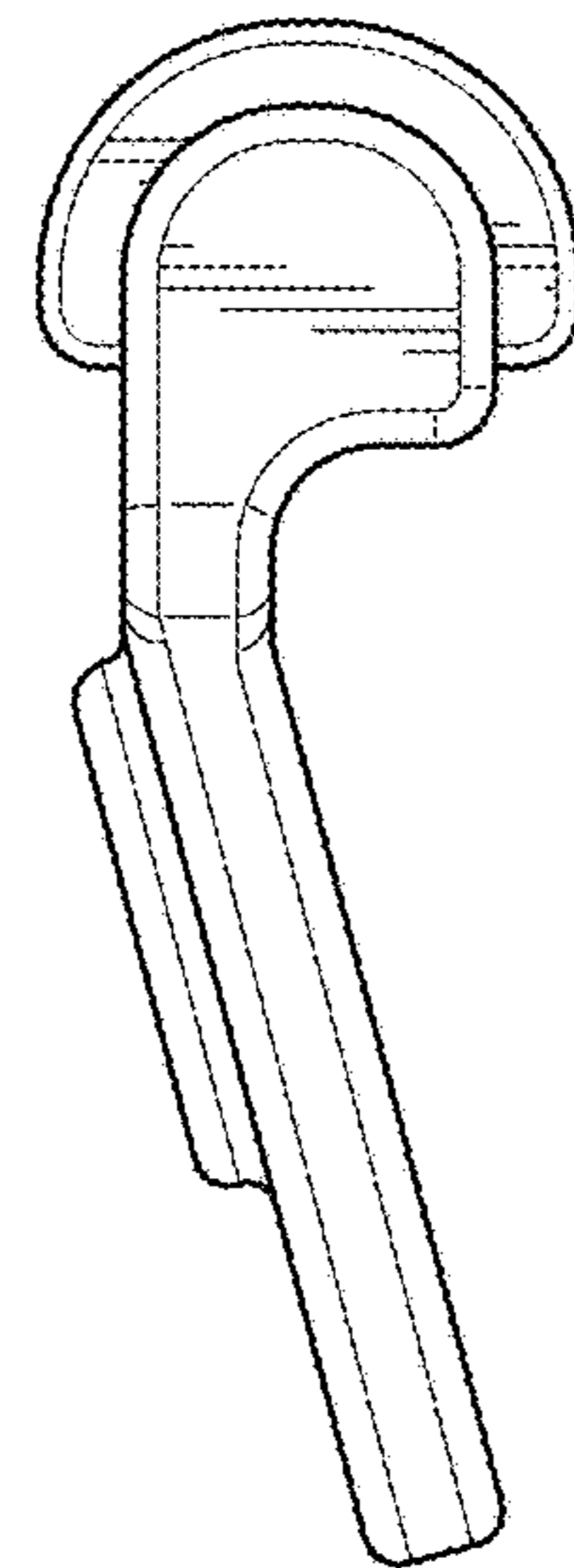


FIG. 8