



US00D776347S

(12) **United States Design Patent** (10) **Patent No.:** **US D776,347 S**  
**Grieshaber et al.** (45) **Date of Patent:** **\*\* Jan. 10, 2017**

(54) **EPILATOR**

(56) **References Cited**

(71) Applicant: **Braun GmbH**, Kronberg (DE)

U.S. PATENT DOCUMENTS

(72) Inventors: **Frieder Grieshaber**, Neu-Anspach (DE); **Bjorn Kling**, Glashutten (DE); **Tarik Mehaddene**, Karben (DE); **Markus Halm**, Bad Homburg (DE); **Tobias Schwarz**, Schmitten (DE)

6,520,970	B1	2/2003	Sanchez-Martinez	
6,620,175	B1 *	9/2003	Sueyoshi	A45D 26/0023 606/133
6,740,097	B1	5/2004	Sanchez-Martinez	
D567,441	S	4/2008	Kling	
D611,198	S *	3/2010	Platek	D28/44.1
D664,296	S *	7/2012	Kling	D24/133
D665,128	S *	8/2012	Kling	D24/133
8,574,242	B2	11/2013	Pfeiffer et al.	
D763,505	S *	8/2016	Grieshaber	D28/44.1
D764,706	S *	8/2016	Kling	D28/44.1

(73) Assignee: **Braun GmbH**, Kronberg (DE)

(\*\*) Term: **15 Years**

(Continued)

(21) Appl. No.: **29/568,206**

FOREIGN PATENT DOCUMENTS

(22) Filed: **Jun. 16, 2016**

EP	2719298	4/2014
JP	5242812	7/2013
WO	WO 2010125533	11/2010

**Related U.S. Application Data**

(62) Division of application No. 29/483,745, filed on Mar. 3, 2014, now Pat. No. Des. 763,505.

OTHER PUBLICATIONS

European Community Design, publication date Dec. 18, 2009, Koninklijke Philips, 3 pages.

(30) **Foreign Application Priority Data**

Sep. 19, 2013 (WO) ..... 762889601

*Primary Examiner* — Jennifer Rivard

(51) **LOC (10) Cl.** ..... **28-03**

(74) *Attorney, Agent, or Firm* — Ronald T. Sia; Kevin C. Johnson; Steven W. Miller

(52) **U.S. Cl.**  
USPC ..... **D28/44.1**

(57) **CLAIM**

The ornamental design for an epilator, as shown and described.

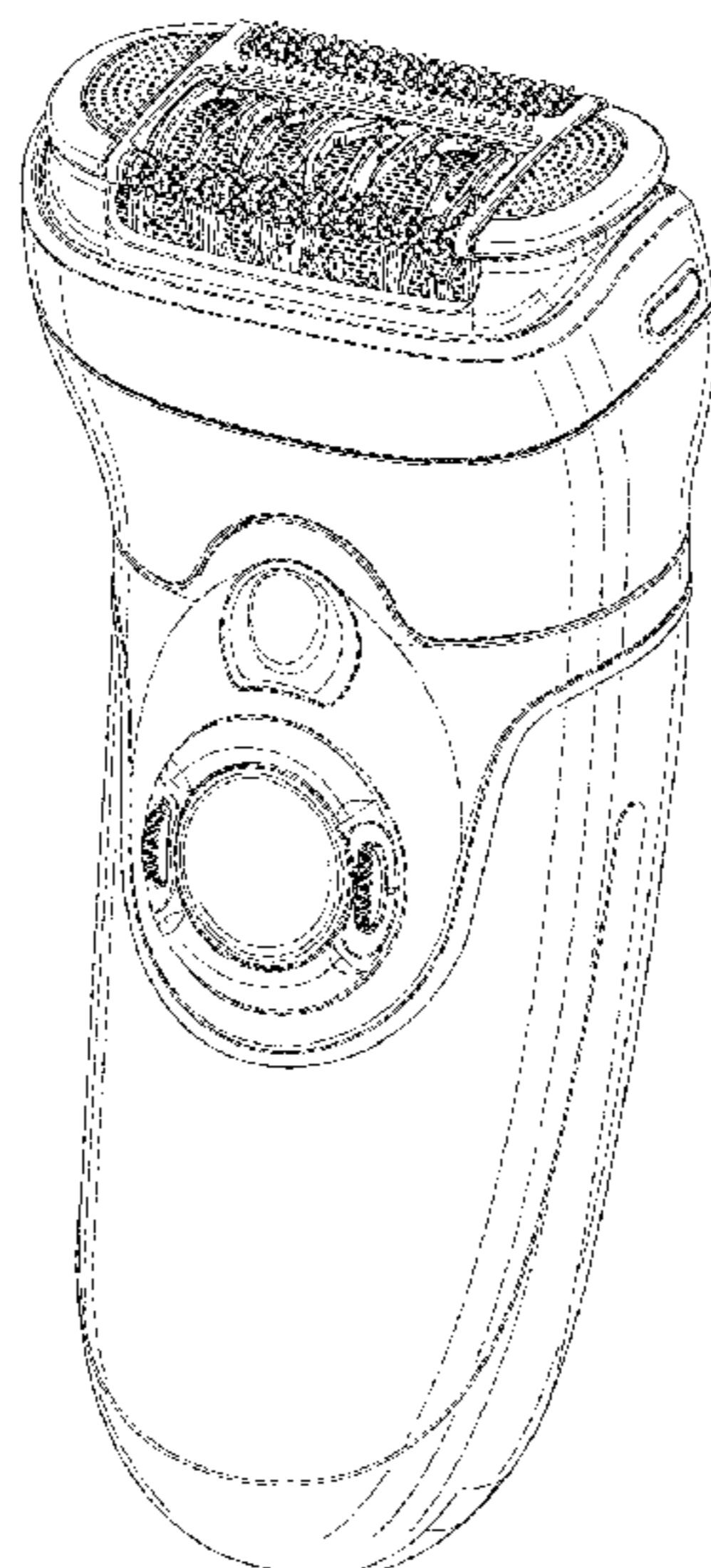
(58) **Field of Classification Search**  
USPC . D28/44, 44.1, 49, 51, 53, 58, 59; D24/133, D24/147, 146  
CPC ..... B62B 19/00–19/107; A45D 2026/008–2026/0095; A45D 26/0042–26/0052; A45D 26/0057; A45D 26/0061; A45D 26/0004; A45D 26/0023; A45D 26/0028; A45D 26/0033; A45D 26/0038; A45D 2200/1054; A61B 17/54

**DESCRIPTION**

FIG. 1 is a perspective view of an epilator;  
FIG. 2 is a front view thereof;  
FIG. 3 is a left side view thereof;  
FIG. 4 is a rear view thereof;  
FIG. 5 is a right side view thereof;  
FIG. 6 is a top plan view thereof; and,  
FIG. 7 is a bottom plan view thereof.

See application file for complete search history.

**1 Claim, 3 Drawing Sheets**



(56)

**References Cited**

U.S. PATENT DOCUMENTS

2002/0052611 A1\* 5/2002 Inoue ..... A45D 26/0028  
606/133  
2006/0271071 A1\* 11/2006 Dorber ..... A45D 26/0028  
606/133  
2008/0216320 A1 9/2008 Royle et al.  
2008/0301947 A1 12/2008 Dorber et al.  
2009/0172948 A1 7/2009 Kitamura et al.  
2010/0274261 A1 10/2010 Grieshaber et al.  
2010/0280527 A1\* 11/2010 Huisinga ..... A45D 26/0028  
606/133  
2010/0331795 A1 12/2010 Jung et al.  
2012/0022555 A1 1/2012 Sanchez-Martinez et al.  
2014/0107669 A1\* 4/2014 Grieshaber ..... A45D 26/0023  
606/133  
2014/0107670 A1 4/2014 Grieshaber et al.

\* cited by examiner

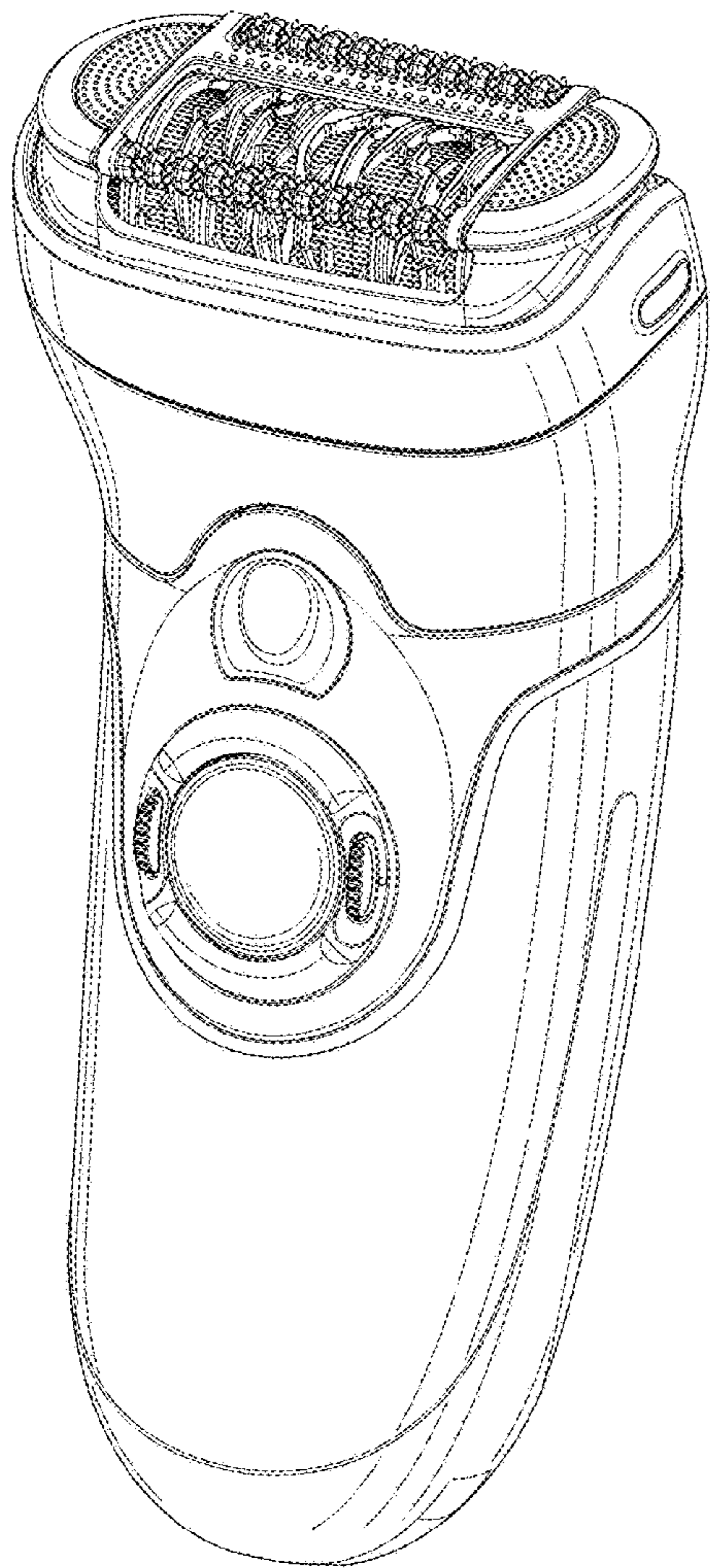


Fig. 1

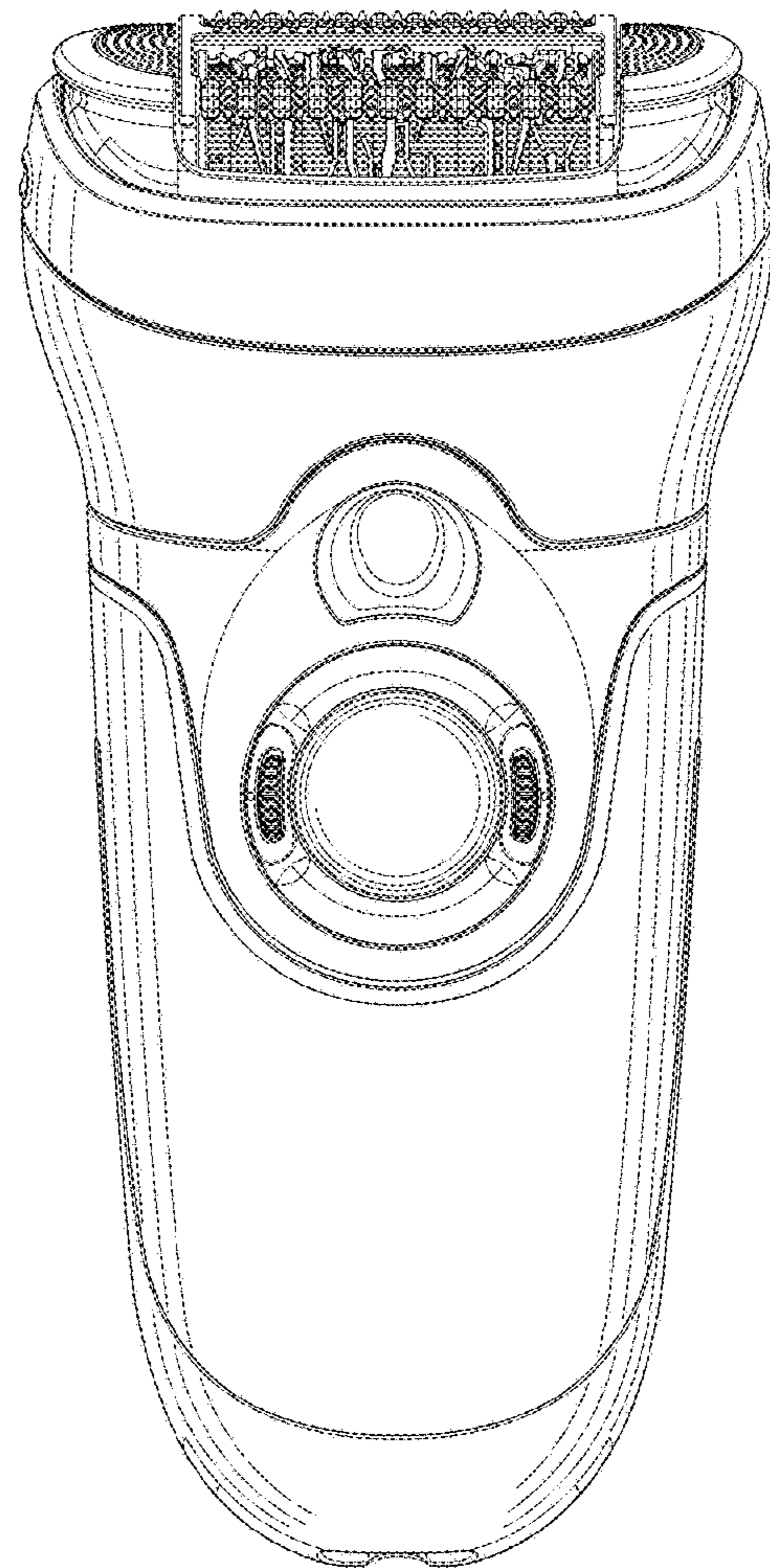


Fig. 2

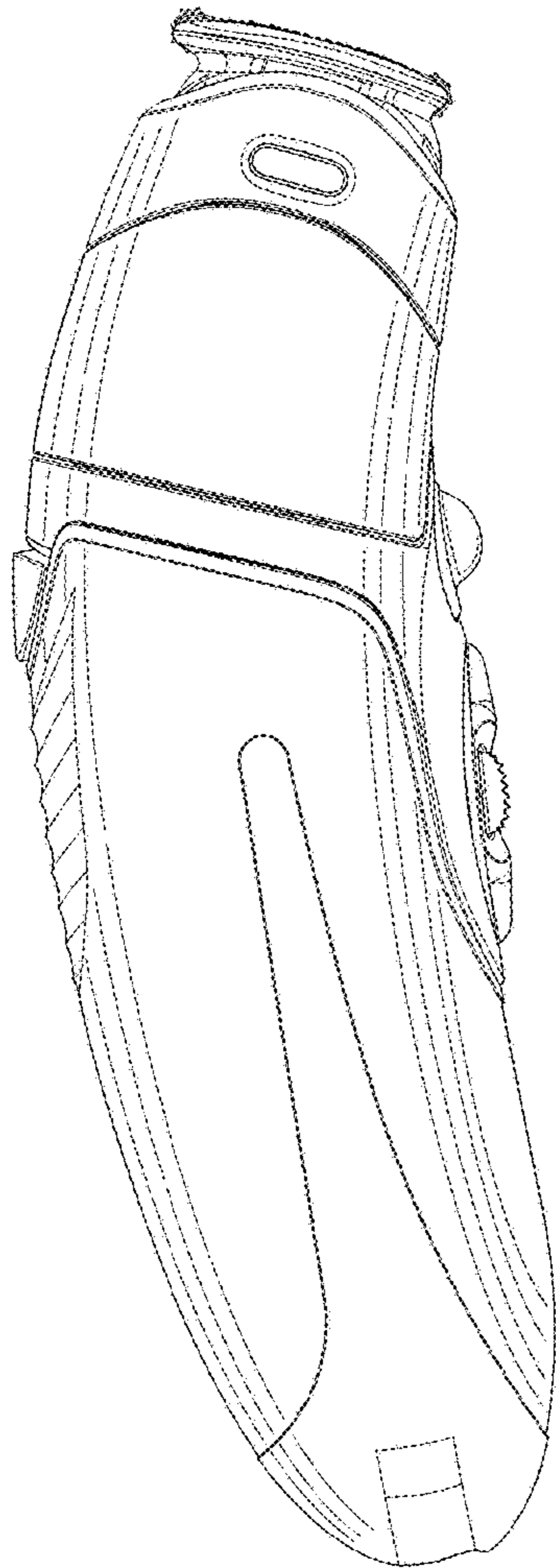


Fig. 3

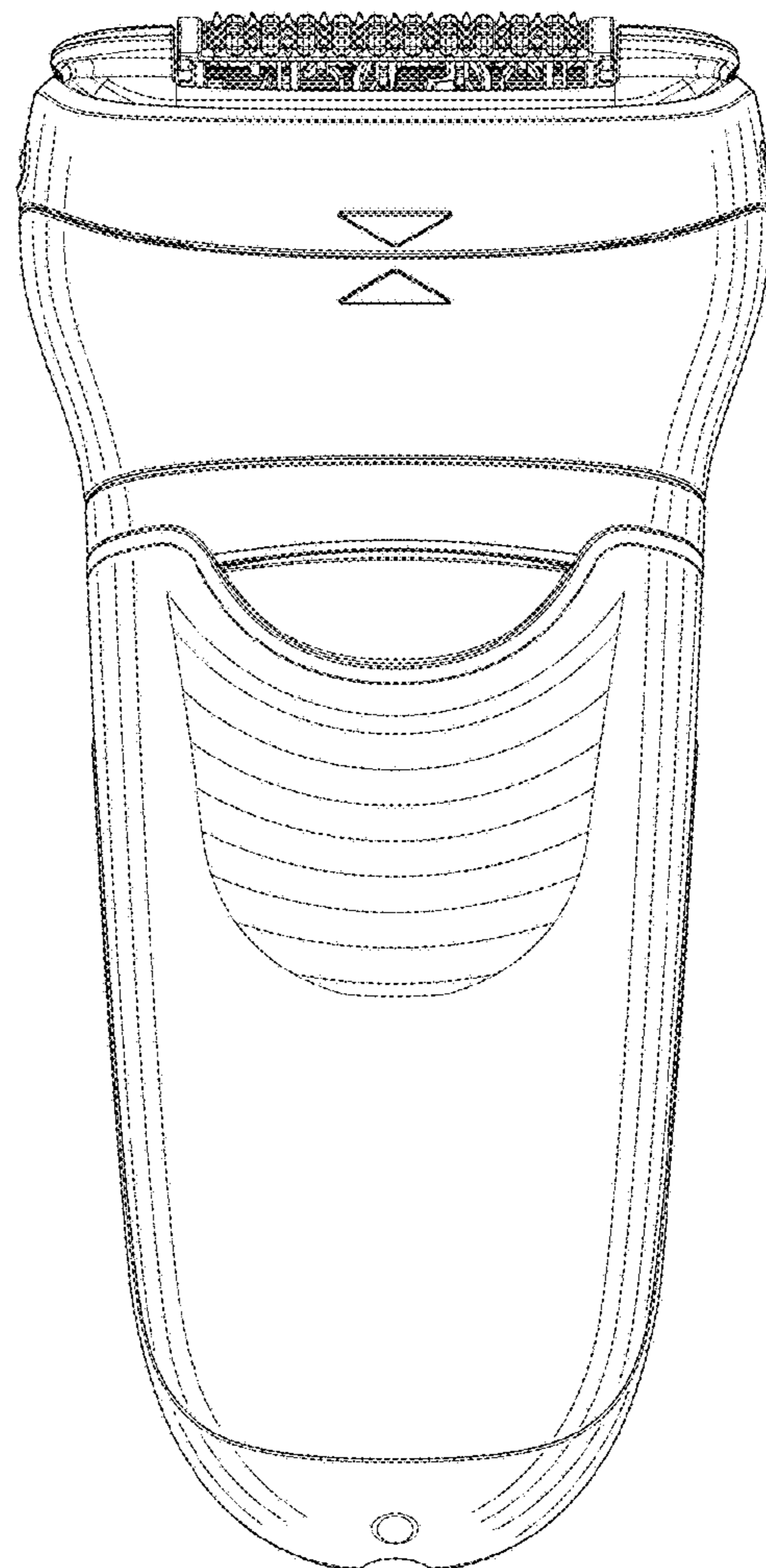


Fig. 4

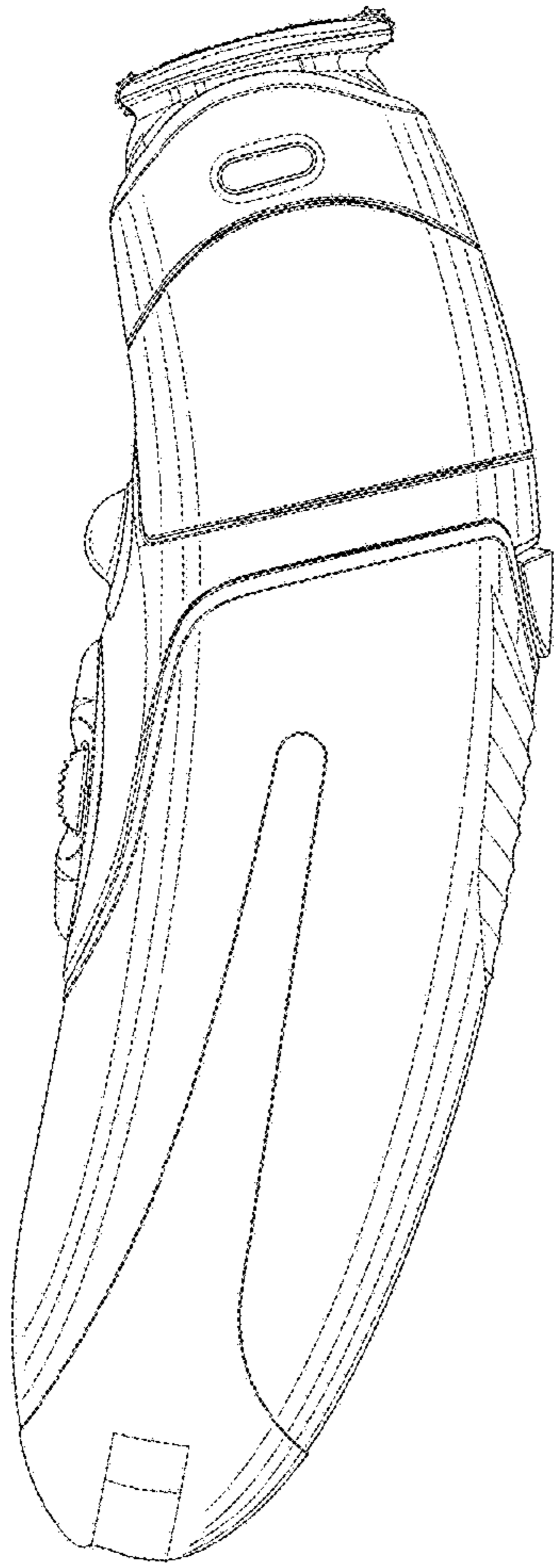


Fig. 5

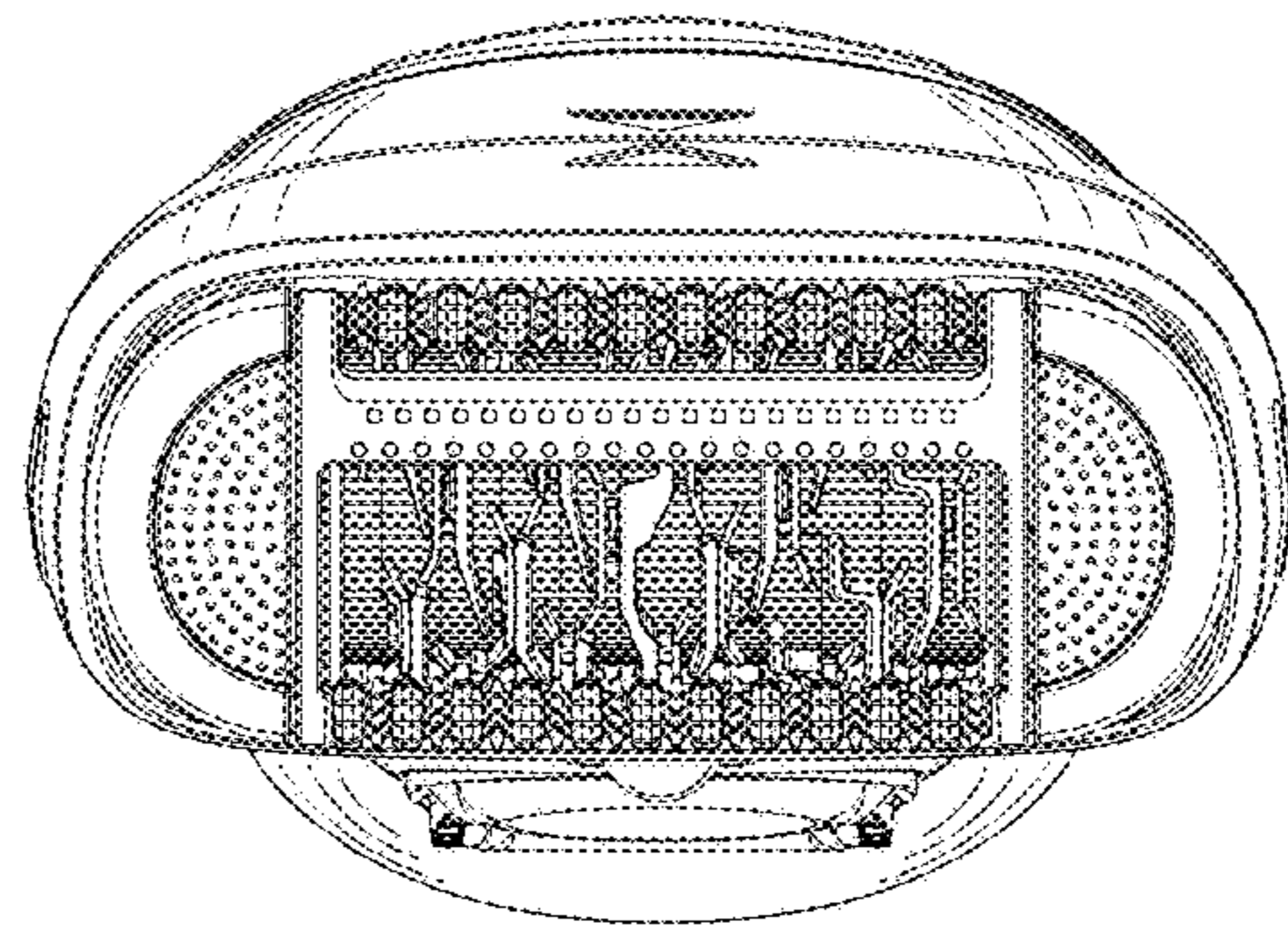


Fig. 6

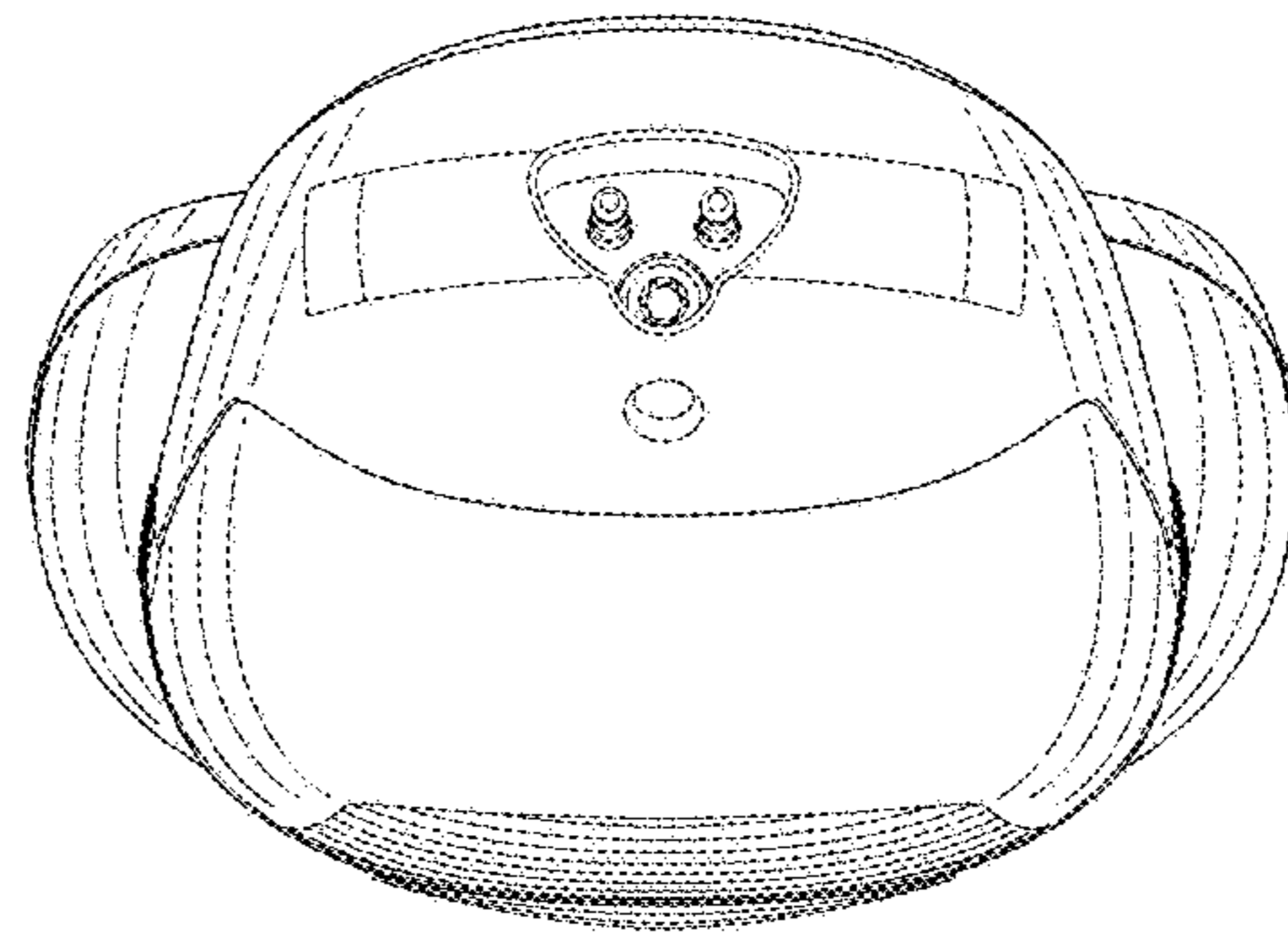


Fig. 7