



US00D776346S

(12) **United States Design Patent**
Magnani

(10) **Patent No.:** **US D776,346 S**
(45) **Date of Patent:** **** Jan. 10, 2017**

- (54) **MULTI-PART JOINABLE CLIP**
- (71) Applicant: **Nicole Irene Magnani**, Staten Island, NY (US)
- (72) Inventor: **Nicole Irene Magnani**, Staten Island, NY (US)
- (**) Term: **15 Years**
- (21) Appl. No.: **29/528,765**
- (22) Filed: **Jun. 1, 2015**
- (51) **LOC (10) Cl.** **28-03**
- (52) **U.S. Cl.**
USPC **D28/40**
- (58) **Field of Classification Search**
USPC D28/39-43, 31-34; D11/1-5; 132/279, 132/126, 128-131, 144, 148, 275-284
CPC A45D 8/20; A45D 8/24; A45D 8/34
See application file for complete search history.

- D473,342 S 4/2003 Shyu
- D473,678 S 4/2003 Shyu
- D474,307 S 5/2003 Silva
- D476,112 S 6/2003 Denebeim
- 6,581,611 B2 6/2003 Sartena
- 6,591,843 B1 7/2003 Langohr
- 6,609,524 B2 8/2003 Lloyd
- 6,612,312 B2 9/2003 Silva
- 6,622,734 B1 9/2003 Bielinski et al.
- D480,509 S 10/2003 Yasuda
- 6,629,536 B1 10/2003 Lane
- 6,631,538 B1 10/2003 Carr
- 6,647,991 B2 11/2003 Silva
- D483,151 S 12/2003 Walker et al.
- D483,522 S 12/2003 Leslie
- D483,523 S 12/2003 Jones
- D483,524 S 12/2003 Walker et al.
- 6,668,841 B1 12/2003 Chou
- 6,681,778 B1 1/2004 Salisbury et al.
- 6,681,779 B2 1/2004 Stachowski

(Continued)

Primary Examiner — Susan Bennett Hattan

Assistant Examiner — Rebecca Tsehaye

(56) **References Cited**

U.S. PATENT DOCUMENTS

- 1,823,361 A 9/1931 Hudson
- 1,911,451 A 5/1933 Kropac
- 5,494,060 A 2/1996 Potut
- 5,533,533 A 7/1996 Shing
- 5,884,371 A 3/1999 Higgins
- 5,988,184 A 11/1999 Shu
- 6,123,086 A 9/2000 Kuglen
- 6,189,542 B1 2/2001 Shepard
- 6,453,911 B1 9/2002 Silva
- 6,513,535 B1 2/2003 Lane
- 6,520,495 B1 2/2003 LaMendola
- 6,536,446 B2 3/2003 Kimura
- D473,014 S 4/2003 Shyu
- D473,015 S 4/2003 Shyu
- D473,016 S 4/2003 Shyu

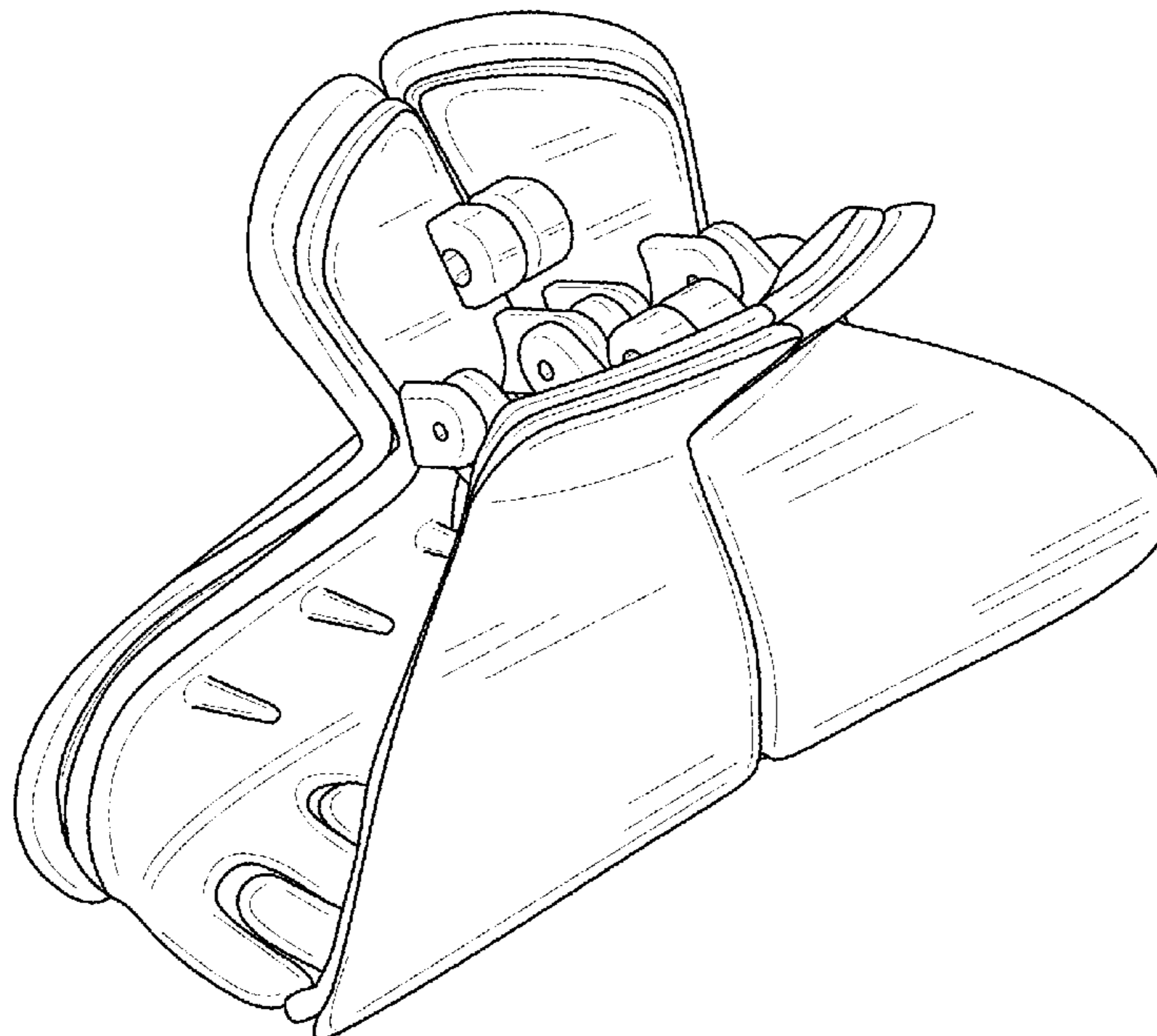
(57) **CLAIM**

The ornamental design for a multi-part joinable clip, as shown and described.

DESCRIPTION

FIG. 1 is a perspective view of the multi-part joinable clip.
 FIG. 2 is a top plan view thereof.
 FIG. 3 is a bottom plan view thereof.
 FIG. 4 is a front elevational view thereof.
 FIG. 5 is a rear elevational view thereof.
 FIG. 6 is a right side elevational view thereof; and,
 FIG. 7 is a left side elevational view thereof.
 The broken lines depict a portion of the multi-part joinable clip that forms no part of the claimed design.

1 Claim, 4 Drawing Sheets



(56)

References Cited

U.S. PATENT DOCUMENTS

D486,605 S	2/2004	Walker et al.	7,484,512 B2	2/2009	Martinelli et al.
6,691,717 B2	2/2004	Silva	7,493,903 B2	2/2009	Rogers et al.
6,701,937 B2	3/2004	Janouch et al.	7,506,653 B2	3/2009	Gladwin et al.
6,708,696 B2	3/2004	Ferguson	D590,102 S	4/2009	Hsu
D488,258 S	4/2004	Walker et al.	D590,993 S	4/2009	Hsu
D488,587 S	4/2004	Puorro	D590,994 S	4/2009	Hsu
D493,013 S	7/2004	Stachowski	D591,905 S	5/2009	Pichon
D493,572 S	7/2004	Stachowski	D591,906 S	5/2009	Hsu
D497,689 S	10/2004	Winn et al.	D592,803 S	5/2009	Tsai
D501,276 S	1/2005	LaFauci et al.	7,581,547 B2	9/2009	Pena
6,959,713 B2	11/2005	Silva	D602,200 S	10/2009	Pichon
7,003,811 B2	2/2006	Canavan	7,596,966 B2	10/2009	Garvin
7,021,317 B1	4/2006	Nathaniel	D604,902 S	11/2009	Pichon
7,044,141 B2	5/2006	Yasuda	D605,361 S	12/2009	Hsu
7,066,185 B2	6/2006	Hildebrandt	D605,814 S	12/2009	Hsu
D526,442 S	8/2006	Kim	7,631,648 B2	12/2009	Kirby
D529,231 S	9/2006	Lau	7,631,649 B2	12/2009	Coral et al.
D536,132 S	1/2007	Vergona	7,637,264 B1	12/2009	Roberson
7,162,750 B2	1/2007	Canavan	7,644,717 B2	1/2010	Hsu
7,174,899 B2	2/2007	Lane	D614,350 S	4/2010	Tsai
7,174,902 B2	2/2007	Rizzuto	D614,807 S	4/2010	Tsai
7,195,020 B2	3/2007	Bird	D615,702 S	5/2010	Hsu
D540,982 S	4/2007	Vergona	7,735,496 B2	6/2010	Ellegard
D540,983 S	4/2007	Vergona	7,735,497 B2	6/2010	Kim
D541,983 S *	5/2007	Au D28/40	7,753,058 B2 *	7/2010	Chudzik A45D 8/20 132/276
7,213,602 B2	5/2007	Silva	7,766,020 B2	8/2010	Chinini et al.
7,222,627 B1	5/2007	Johns	7,789,093 B2	9/2010	Tojo et al.
7,222,631 B2	5/2007	Silva	D626,619 S	11/2010	Gogol et al.
7,258,123 B2	8/2007	Silva	D626,689 S	11/2010	Shyu
D554,288 S	10/2007	Vergona	D626,690 S	11/2010	Hsu
D554,290 S	10/2007	Zandt	D627,099 S	11/2010	Tu
7,278,432 B2	10/2007	Lane	D627,516 S	11/2010	Hsu
7,296,580 B1	11/2007	Sbardella	D627,928 S	11/2010	Hsu
7,299,808 B2 *	11/2007	Lau A45D 8/20 132/277	7,823,594 B2	11/2010	Defenbaugh et al.
7,305,995 B2	12/2007	Tojo et al.	D635,297 S	3/2011	Hsu
D561,394 S	2/2008	Pichon	D635,298 S	3/2011	Hsu
D562,498 S	2/2008	Vergona	D635,715 S	4/2011	Hsu
7,325,551 B2	2/2008	Henninger et al.	D640,413 S	6/2011	Tsai
7,325,552 B1	2/2008	Wilkie	D640,829 S	6/2011	Tsai
7,331,353 B2	2/2008	Harvie	D641,103 S	7/2011	Tsai
7,337,786 B2	3/2008	Sonstegard et al.	D642,738 S *	8/2011	Hsu D28/40
D566,895 S	4/2008	Vergona	D643,154 S	8/2011	Dumala
7,373,940 B1	5/2008	Lloyd	7,992,579 B2	8/2011	Longoria et al.
RE40,462 E	8/2008	Vogel	8,011,375 B2	9/2011	Defenbaugh et al.
D580,099 S	11/2008	Pichon	8,047,211 B2	11/2011	Gladwin et al.
D580,100 S	11/2008	Pichon	8,087,416 B2 *	1/2012	Defenbaugh A45D 8/20 132/200
D580,101 S	11/2008	Pichon	D654,624 S	2/2012	Hsu
D580,102 S	11/2008	Pichon	8,109,279 B2 *	2/2012	Chudzik A45D 8/20 132/277
D580,103 S	11/2008	Pichon	D656,273 S	3/2012	Lau
D580,104 S	11/2008	Pichon	D656,274 S	3/2012	Tsai
D580,105 S	11/2008	Pichon	8,166,982 B2	5/2012	Hsu
D583,991 S	12/2008	Pichon	8,225,802 B2	7/2012	Rogers
D583,992 S	12/2008	Pichon	D665,532 S	8/2012	Melnikova
D583,993 S	12/2008	Pichon	D667,167 S	9/2012	Stewart
D583,994 S	12/2008	Pichon	D667,997 S	9/2012	Stewart
D583,995 S	12/2008	Pichon	D669,217 S	10/2012	Hsu
D583,996 S	12/2008	Pichon	D712,093 S *	8/2014	Hsu D28/40
7,461,661 B2	12/2008	Chudzik et al.	D737,510 S *	8/2015	Wright D28/40
7,461,662 B2	12/2008	Kim	9,232,841 B1 *	1/2016	Hsu A45D 8/20
D585,597 S	1/2009	Tsai	2008/0149129 A1 *	6/2008	Yang A45D 8/20 132/277
D585,598 S	1/2009	Tsai	2009/0272398 A1 *	11/2009	Chudzik A45D 8/20 132/277
7,478,639 B2	1/2009	Stachowski	2009/0277469 A1 *	11/2009	Hsu A45D 8/20 132/277
D586,041 S	2/2009	Tsai	2010/0132729 A1	6/2010	Kuglen et al.
D586,042 S	2/2009	Tsai			
D586,043 S	2/2009	Tsai			
D586,503 S	2/2009	Lau			
D587,401 S	2/2009	Tsai			

* cited by examiner

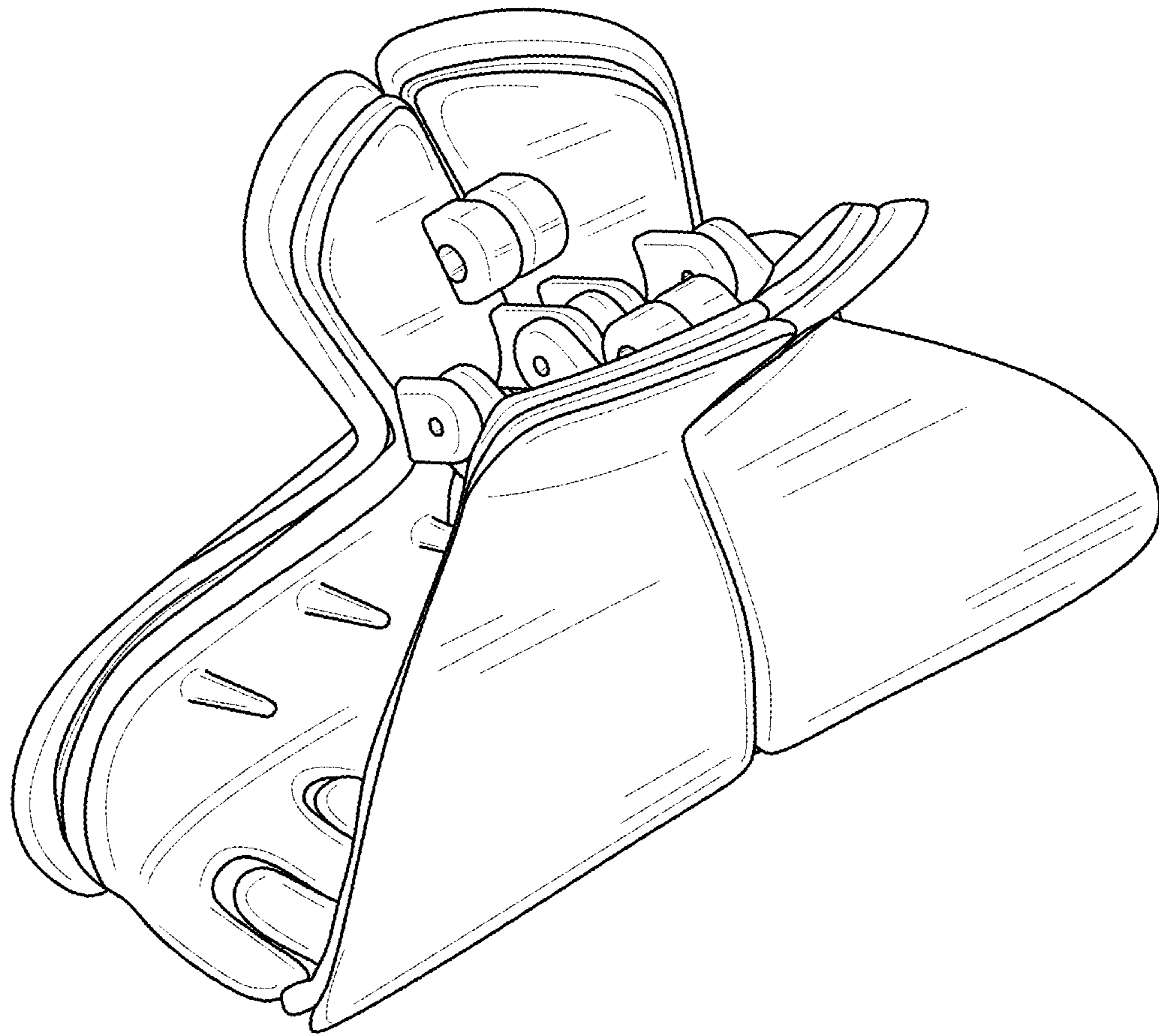


FIG. 1

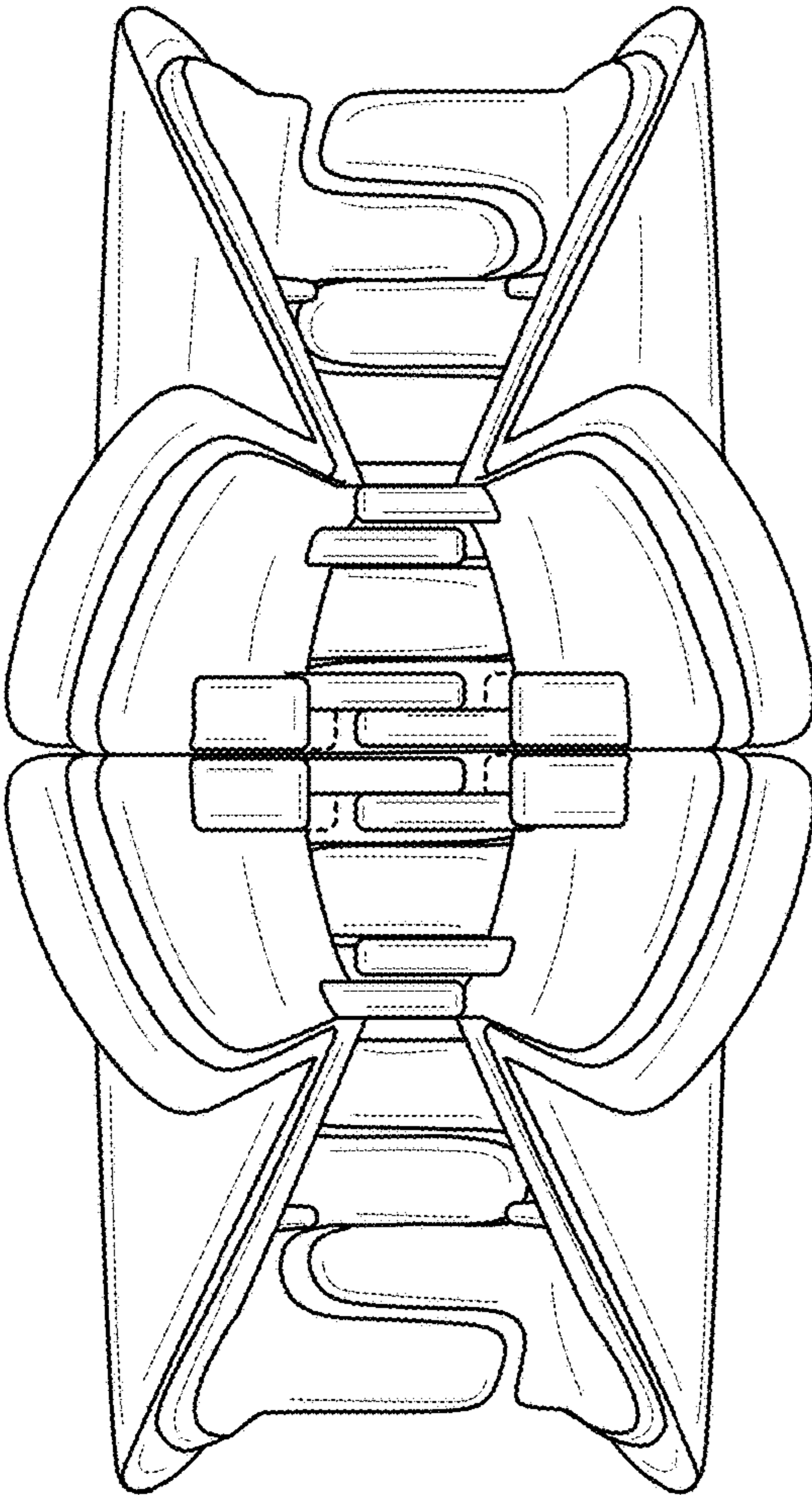


FIG. 2

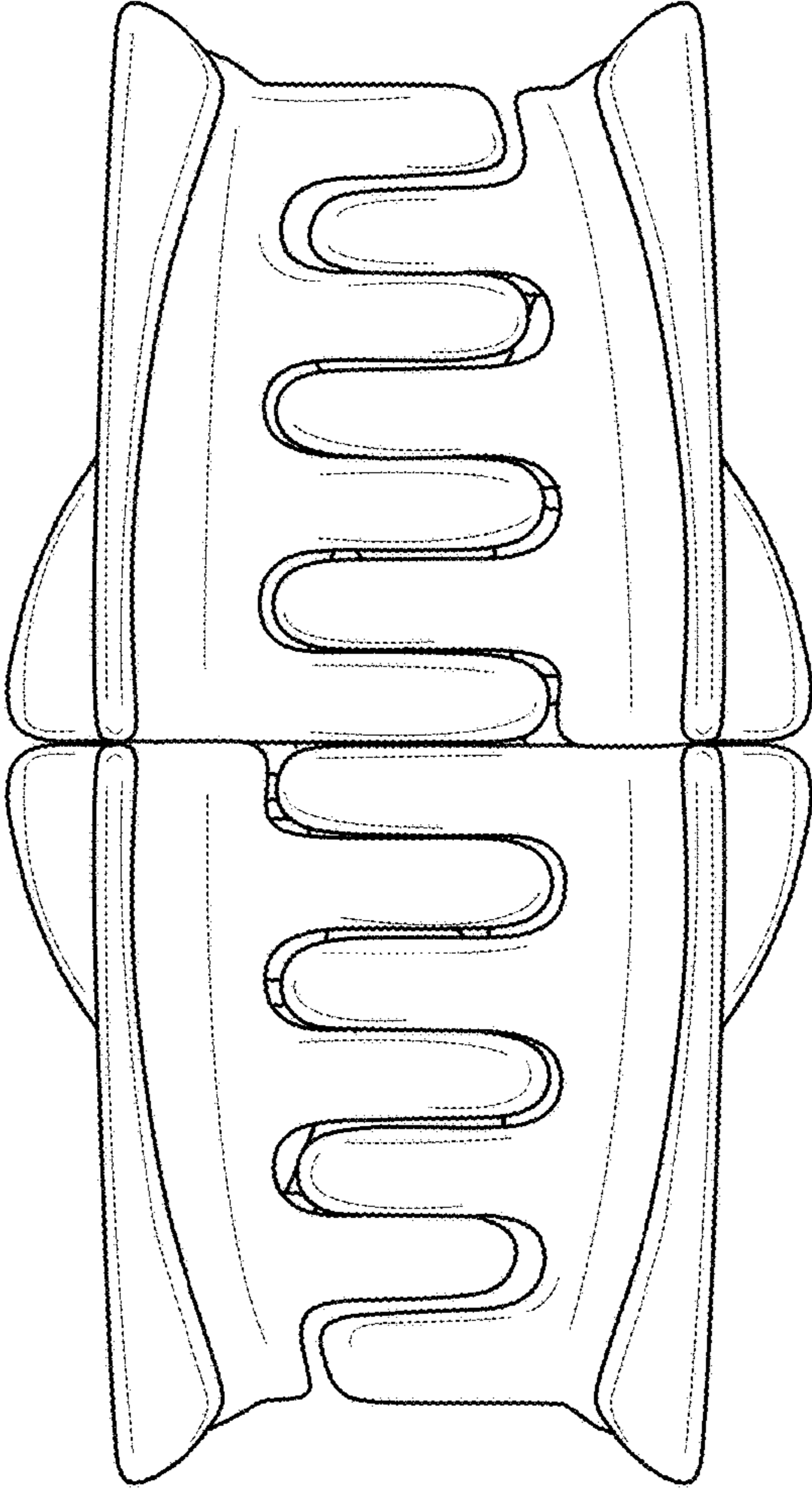


FIG. 3

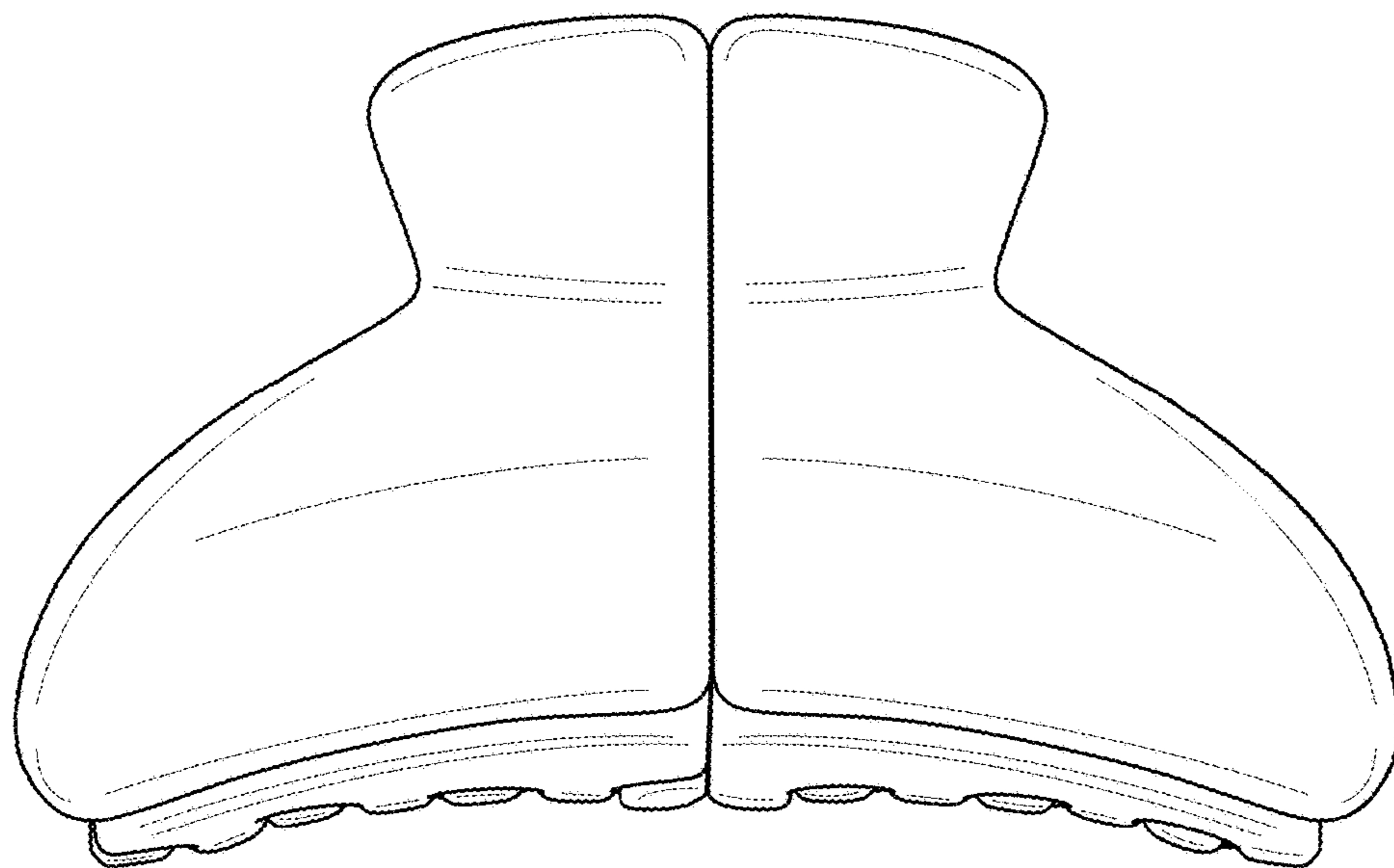


FIG. 4

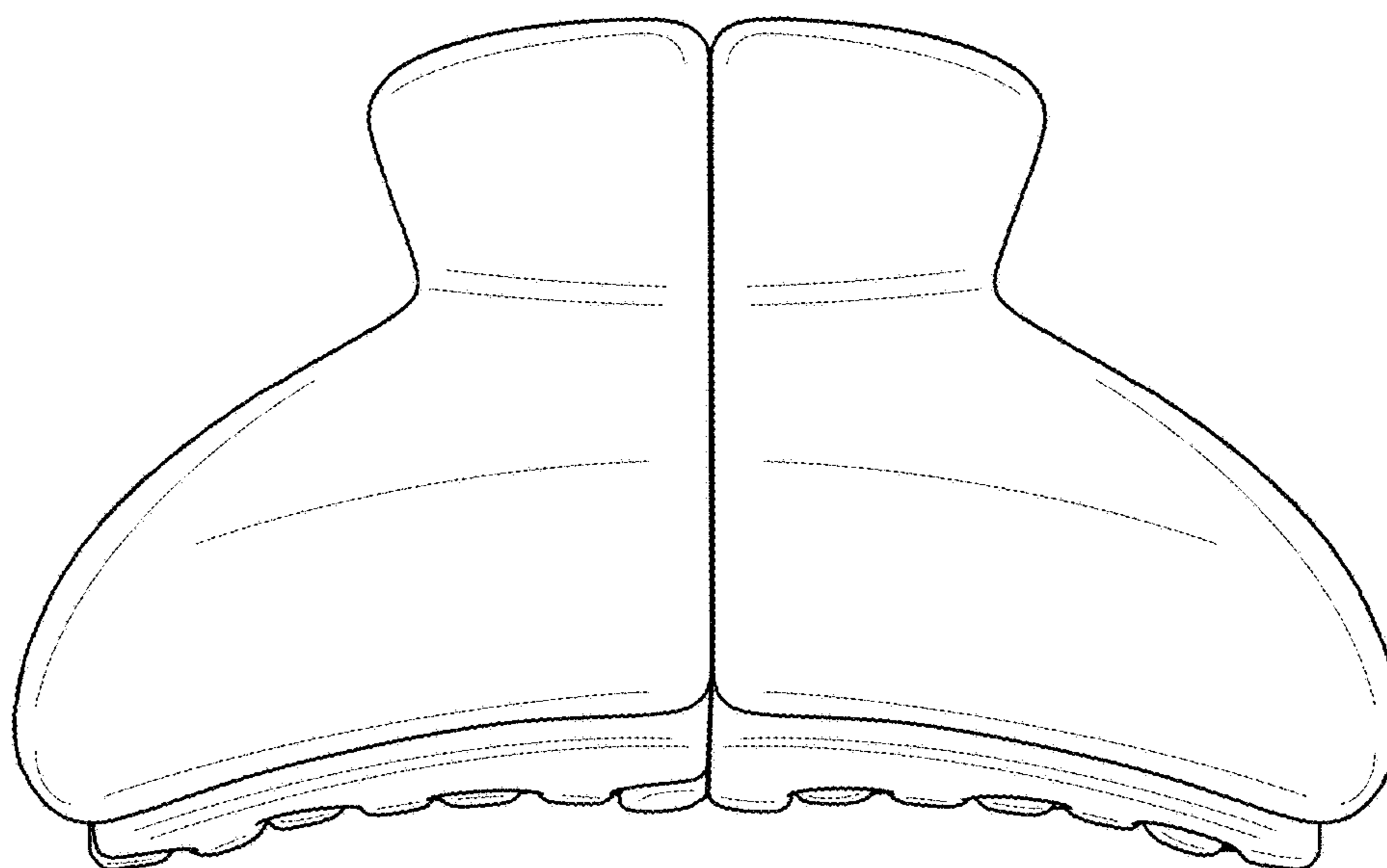


FIG. 5

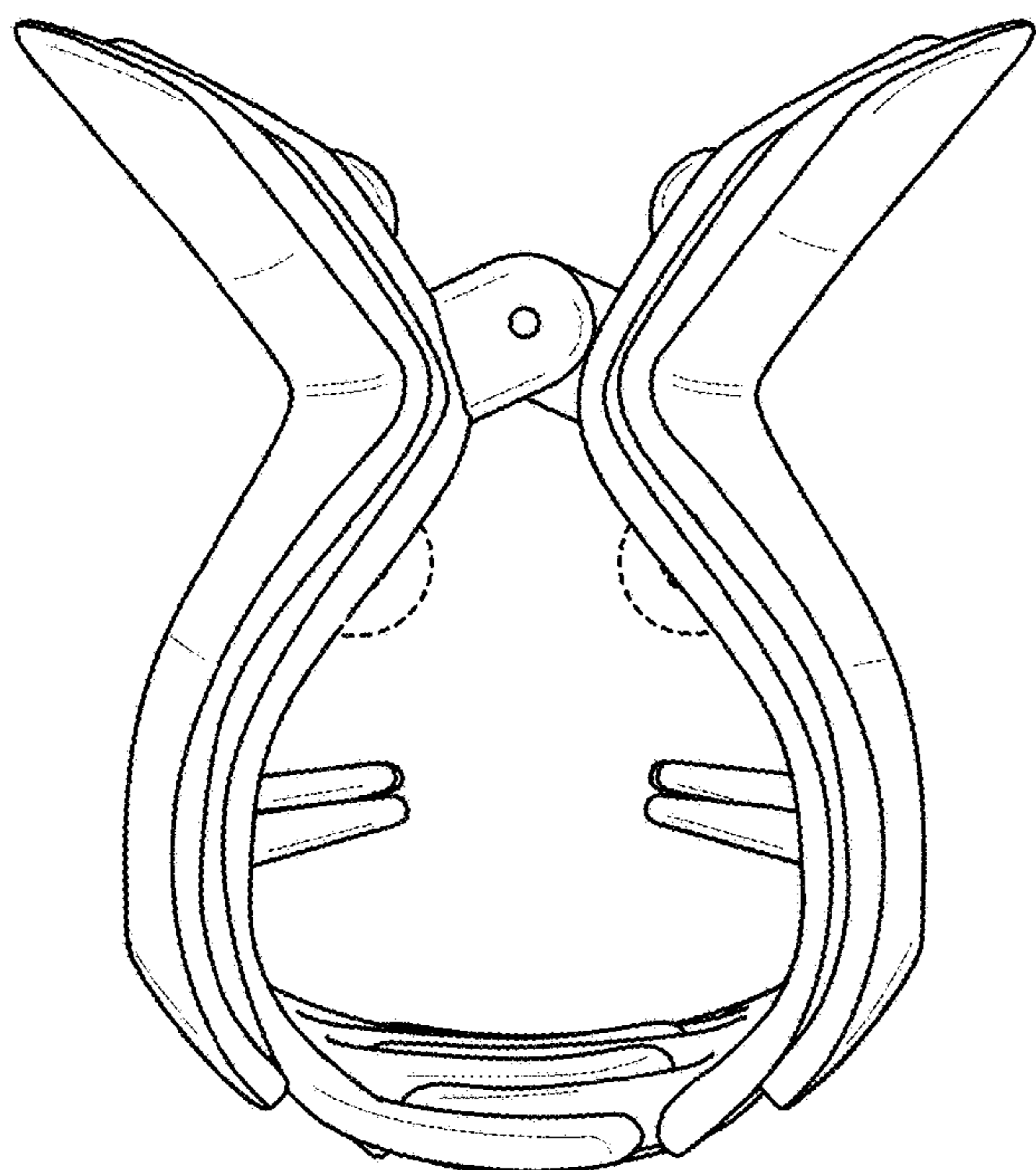


FIG. 6

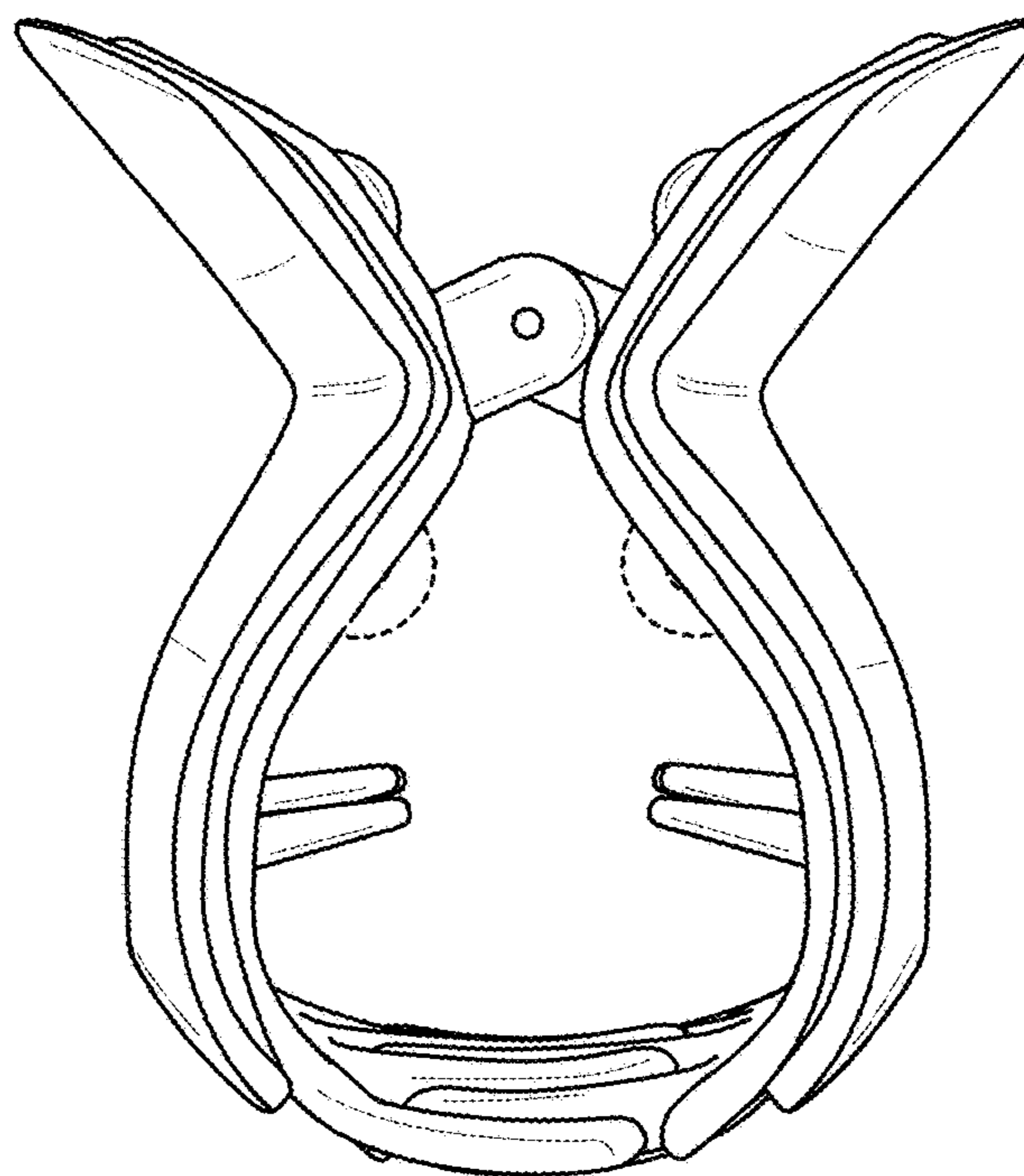


FIG. 7