



US00D776341S

(12) **United States Design Patent**  
**Lim et al.**

(10) **Patent No.:** **US D776,341 S**

(45) **Date of Patent:** **\*\* Jan. 10, 2017**

- (54) **FINGER COSMETIC APPLICATOR**
- (71) Applicant: **HCT Group Holdings Limited**, Santa Monica, CA (US)
- (72) Inventors: **Cindy Sean Yuei Lim**, Santa Monica, CA (US); **Michelle Wong**, Alhambra, CA (US)
- (73) Assignee: **HCT Group Holdings Limited**, Santa Monica, CA (US)
- (\*\*) Term: **14 Years**
- (21) Appl. No.: **29/508,602**
- (22) Filed: **Nov. 7, 2014**
- (51) **LOC (10) Cl.** ..... **28-03**
- (52) **U.S. Cl.**  
USPC ..... **D28/7**
- (58) **Field of Classification Search**  
USPC ..... D28/7, 8, 20-22, 30-31, 76, 85, 99;  
132/108, 202, 208, 317, 320;  
401/202-207, 401/261-267; D4/132-135;  
D24/119; 15/104.94, 209.1, 210.1;  
601/138; D32/40, D32/52  
CPC ..... A47L 13/16; A45D 40/00; A61K 8/0208  
See application file for complete search history.

6,357,944 B1 \* 3/2002 Reed ..... B43K 23/016  
401/88  
7,416,358 B2 8/2008 Legendre  
D707,390 S \* 6/2014 Bunkley ..... D28/7  
D727,567 S \* 4/2015 Bunkley ..... D28/7

**OTHER PUBLICATIONS**

“Fingermax Creative Finger Painting Paint Brush”, retrieved on Oct. 9, 2014 at <<<http://thestore.com/fingermax-creative-finger-painting-paint-brush/TSHVY6X6YF>>>, 5 pages.  
“MelodySusie”, retrieved on Oct. 9, 2014 at <<[http://www.amazon.com/MelodySusie-Applicator-Multi-functional-Vibration-Foundation/dp/B00B4QGM1A/ref=aag\\_m\\_pw\\_dpie=UTF8&m=A24IL96TV4XLBY](http://www.amazon.com/MelodySusie-Applicator-Multi-functional-Vibration-Foundation/dp/B00B4QGM1A/ref=aag_m_pw_dpie=UTF8&m=A24IL96TV4XLBY)>>, 4 pages.  
Nixon, “Optometric Office”, retrieved on Oct. 9, 2014 at <<<http://www.optometricoffice.com/OO/OO-Archives/BIGGER-IS-BETTER-3436.aspx>>>, 2 pages.  
“Popcorn Yubi-fude Finger Brush”, Japan Trend Shop, retrieved on Oct. 8, 2014 at <<<http://www.japantrendshop.com/popcorn-yubifude-finger-brush-p-939.html>>>, 3 pages.

(Continued)

*Primary Examiner* — Zena Bennett  
(74) *Attorney, Agent, or Firm* — Seager, Tufte & Wickhem LLP

(57) **CLAIM**

The ornamental design for a finger cosmetic applicator, as shown and described.

**DESCRIPTION**

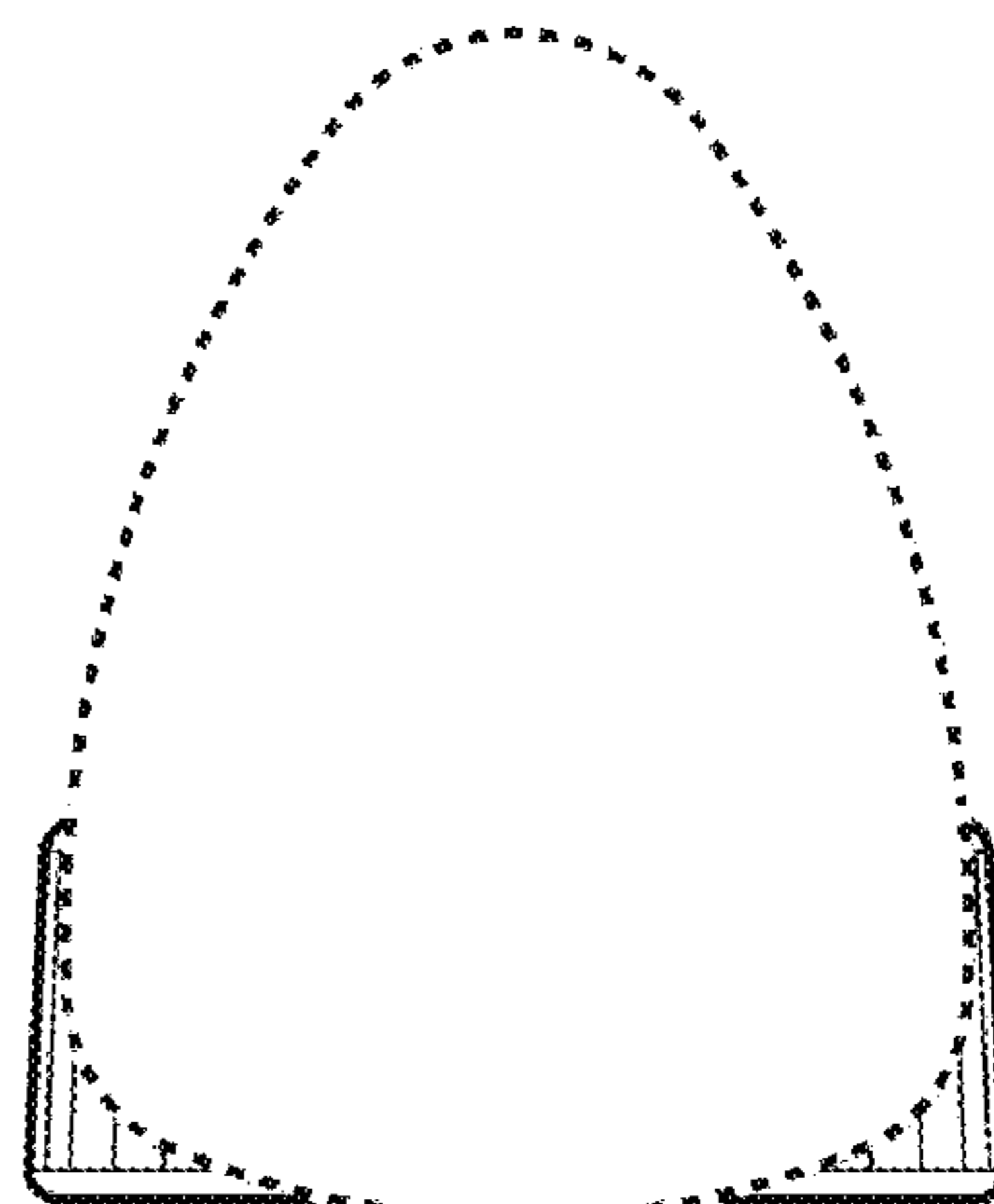
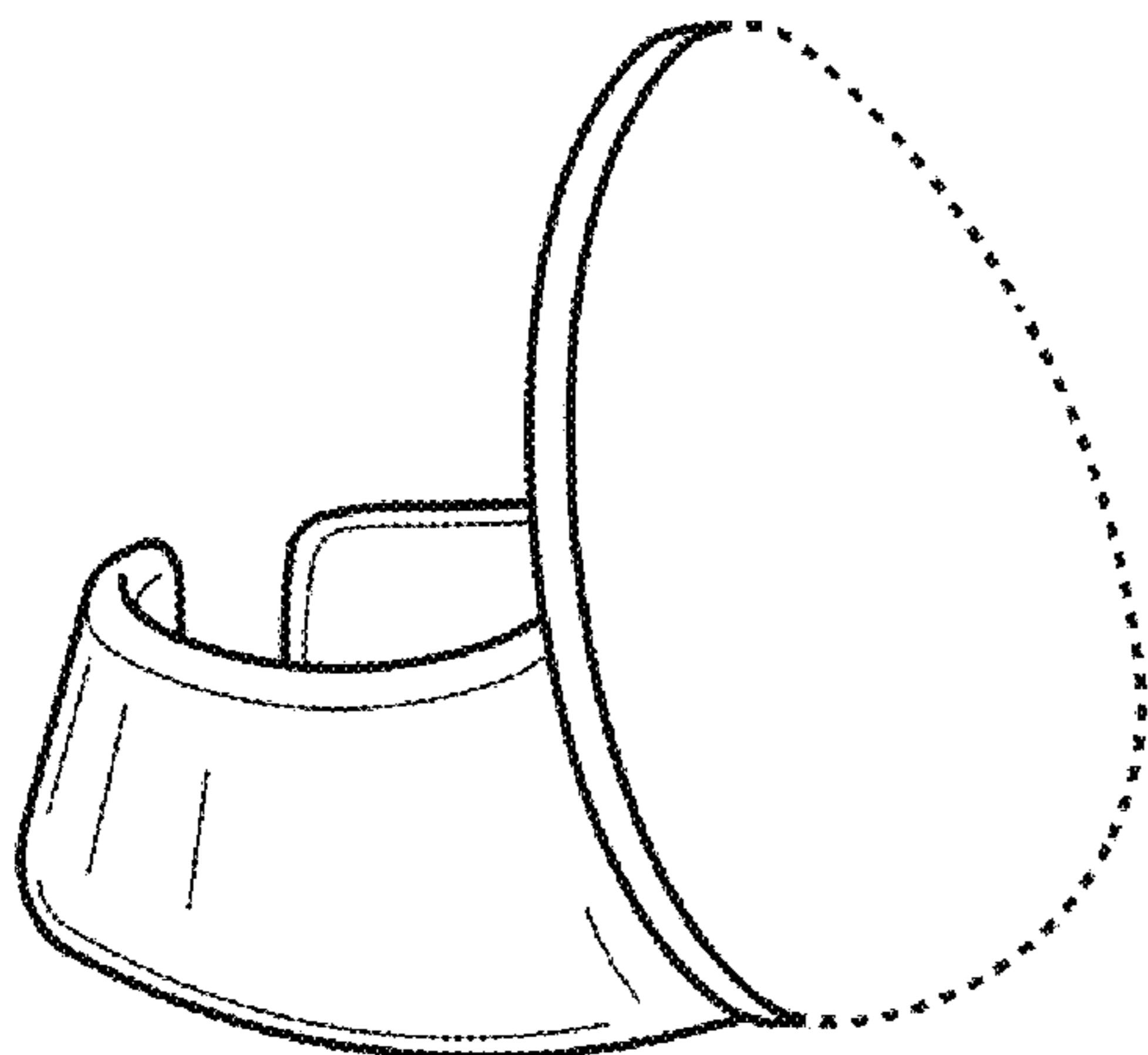
FIG. 1 is a perspective view of the finger cosmetic applicator showing the new design;  
FIG. 2 is a front elevation view thereof;  
FIG. 3 is a right side view thereof, the left side view being a mirror image of the right side view;  
FIG. 4 is a back view thereof;  
FIG. 5 is a top view thereof; and,  
FIG. 6 is a bottom view thereof.

**1 Claim, 1 Drawing Sheet**

(56) **References Cited**

**U.S. PATENT DOCUMENTS**

3,505,700	A	4/1970	Rodriguez	
3,712,749	A *	1/1973	Roberts	..... B43K 23/12 401/202
4,213,472	A	7/1980	Gueret et al.	
D296,005	S *	5/1988	Alkire	..... D24/119
D328,366	S *	7/1992	Villani	..... D28/7
5,765,252	A	6/1998	Carr	
5,957,604	A *	9/1999	Anderson	..... B43K 19/14 40/334



(56)

**References Cited**

OTHER PUBLICATIONS

“Silicone Blackhead Cleanser Nose Pore Brush Cleaner Remover Finger Tool ”, retrieved on Oct. 9, 2014 at <<Silicone Blackhead Cleanser Nose Pore Brush Cleaner Remover Finger Tool >>, 2 pages.

“Silicone Nose Pore Clean Finger Brush Blackhead Extractor Remover Facial Scrub Pad Tool”, retrieved on Oct. 9, 2014 at <<[http://www.alibaba.com/product-detail/Silicone-Nose-Pore-Clean-Finger-Brush\\_900763337.html](http://www.alibaba.com/product-detail/Silicone-Nose-Pore-Clean-Finger-Brush_900763337.html)>>. 9 pages.

“Teeth Brushing for cats and dogs”, retrieved on Oct. 9, 2014 at <<Teeth Brushing for cats and dogs>>, 7 pages.

“The Makeup Bullet” retrieved on Oct. 9, 2014 at <<<http://themakeupbullet.com/>>>, 1 page.

\* cited by examiner

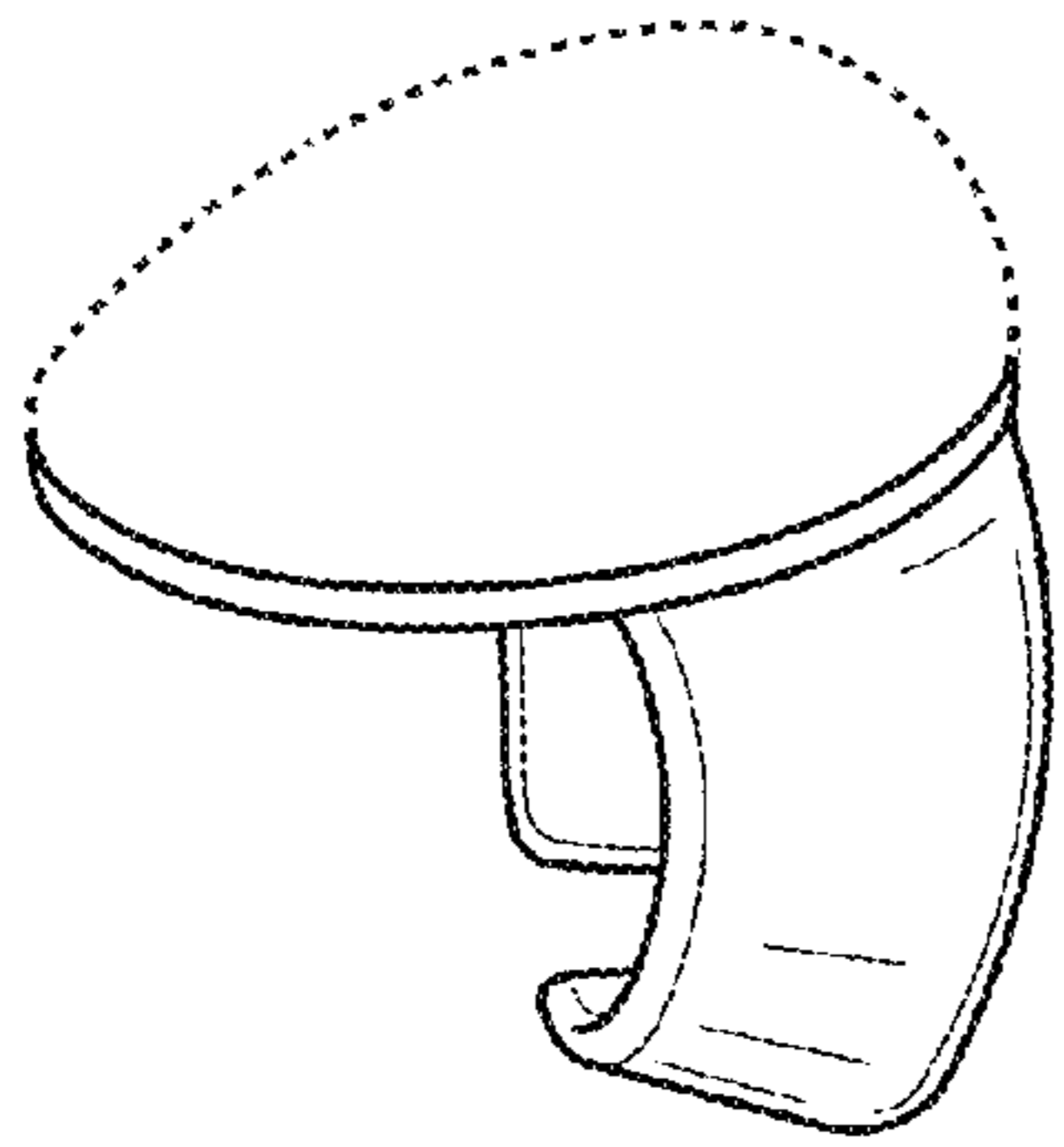


FIG. 1

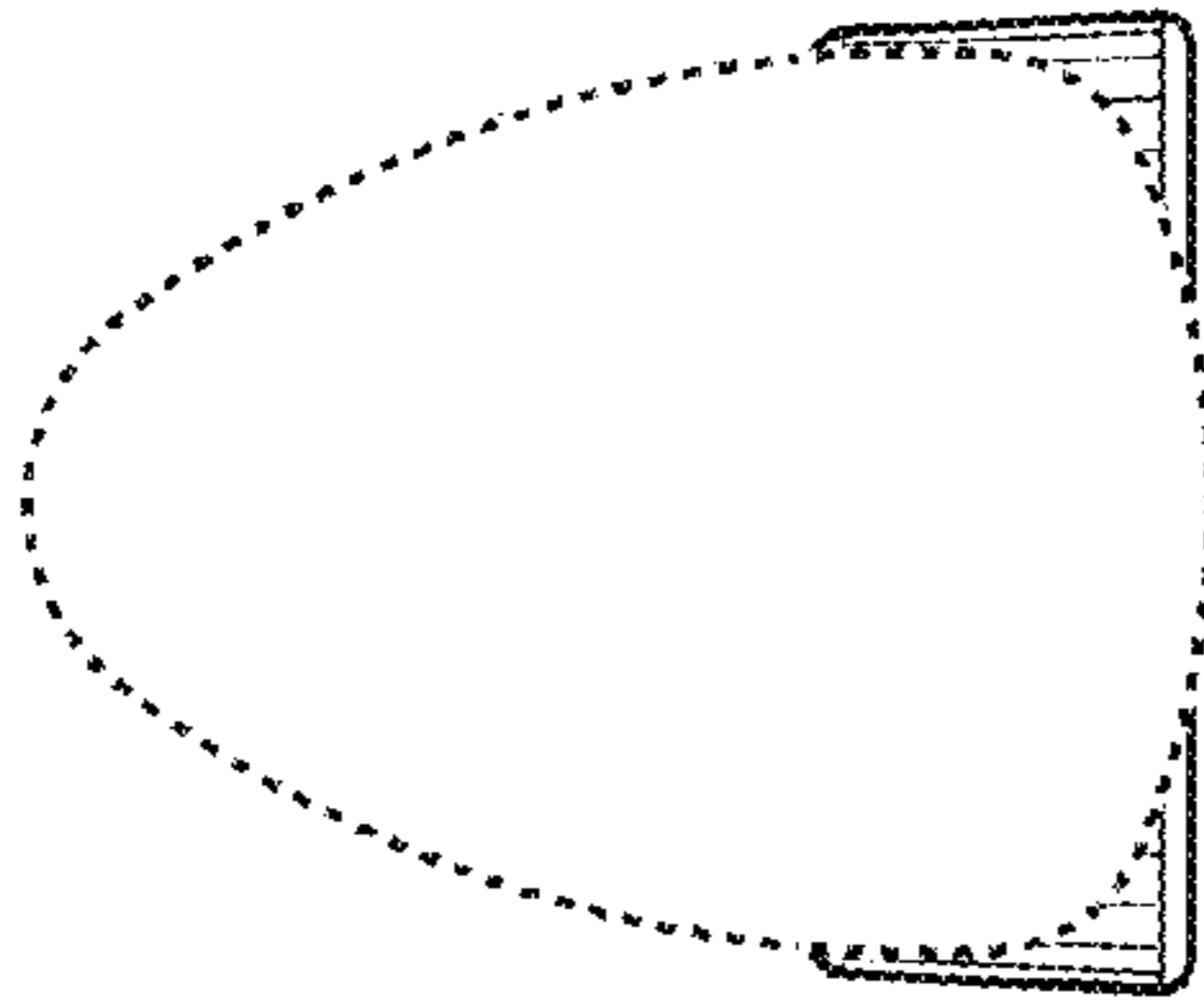


FIG. 2

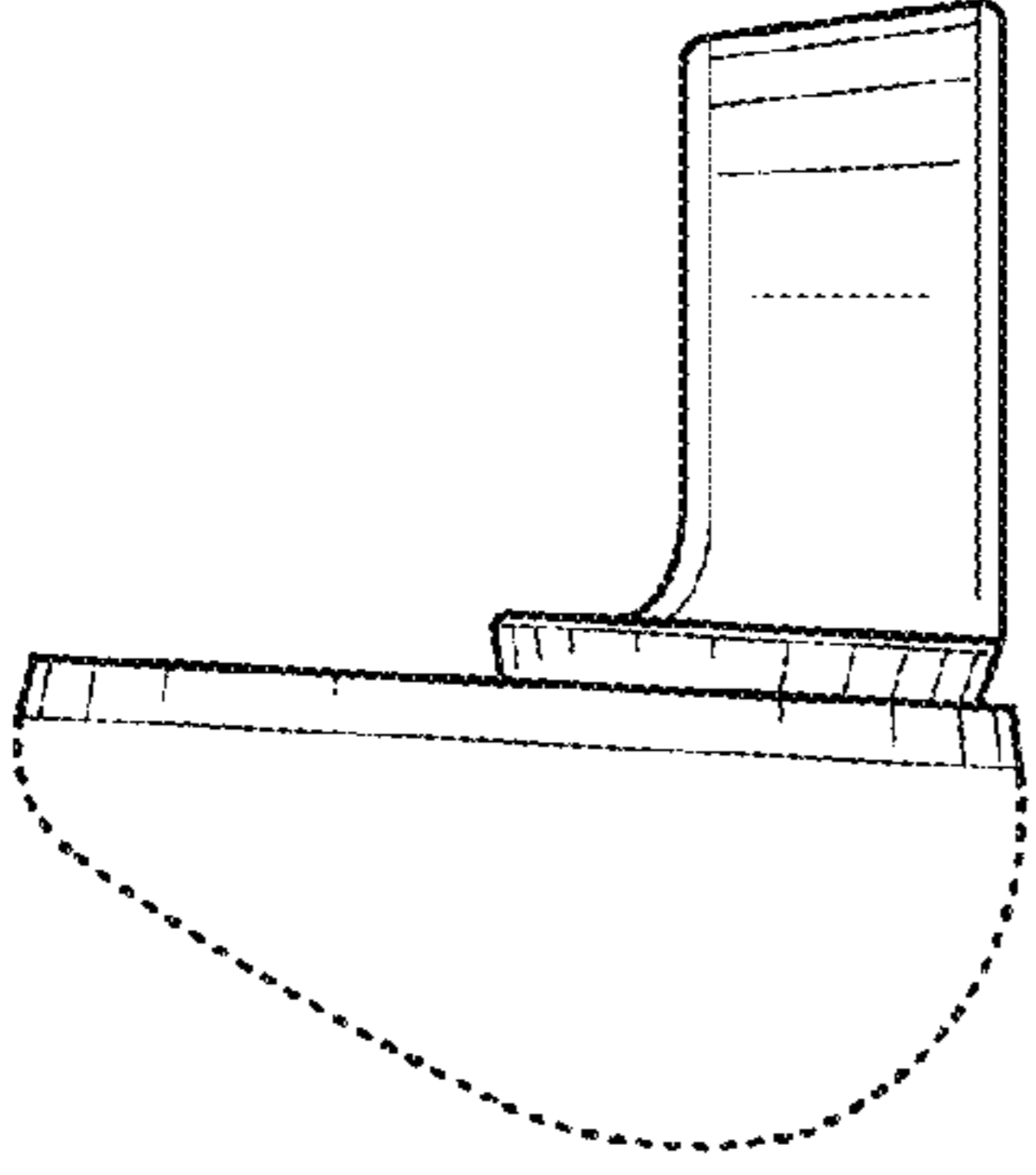


FIG. 3

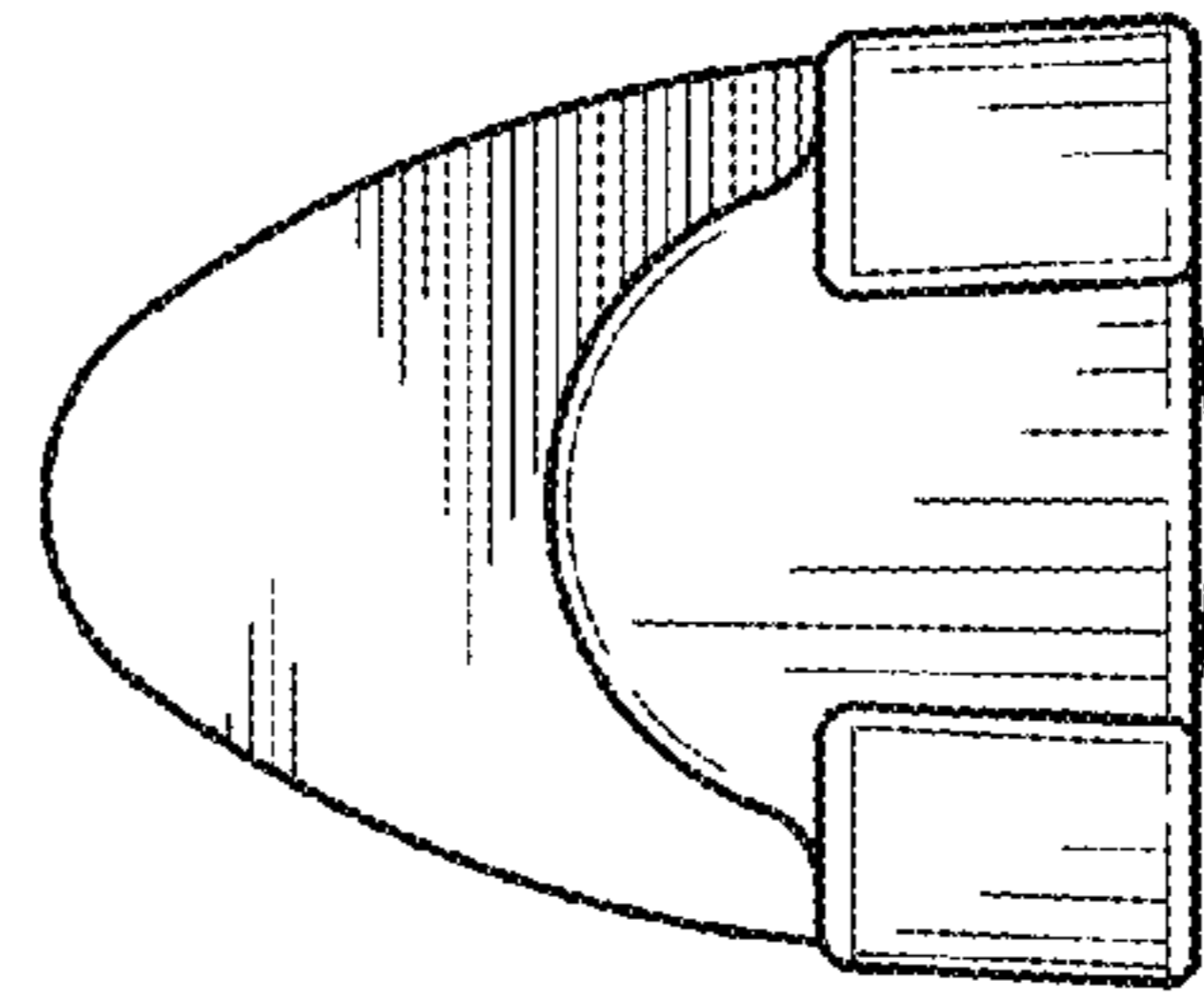


FIG. 4

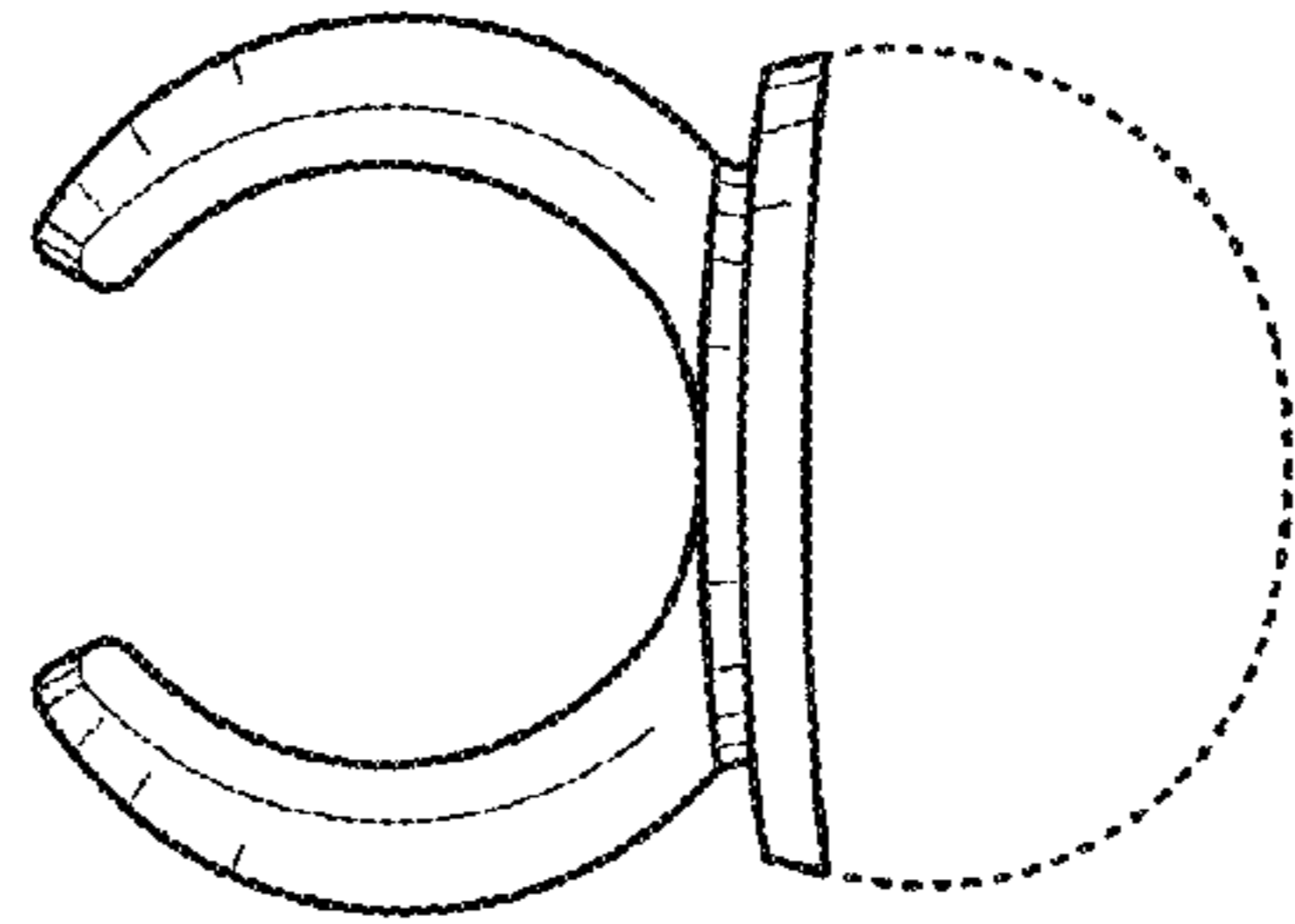


FIG. 5

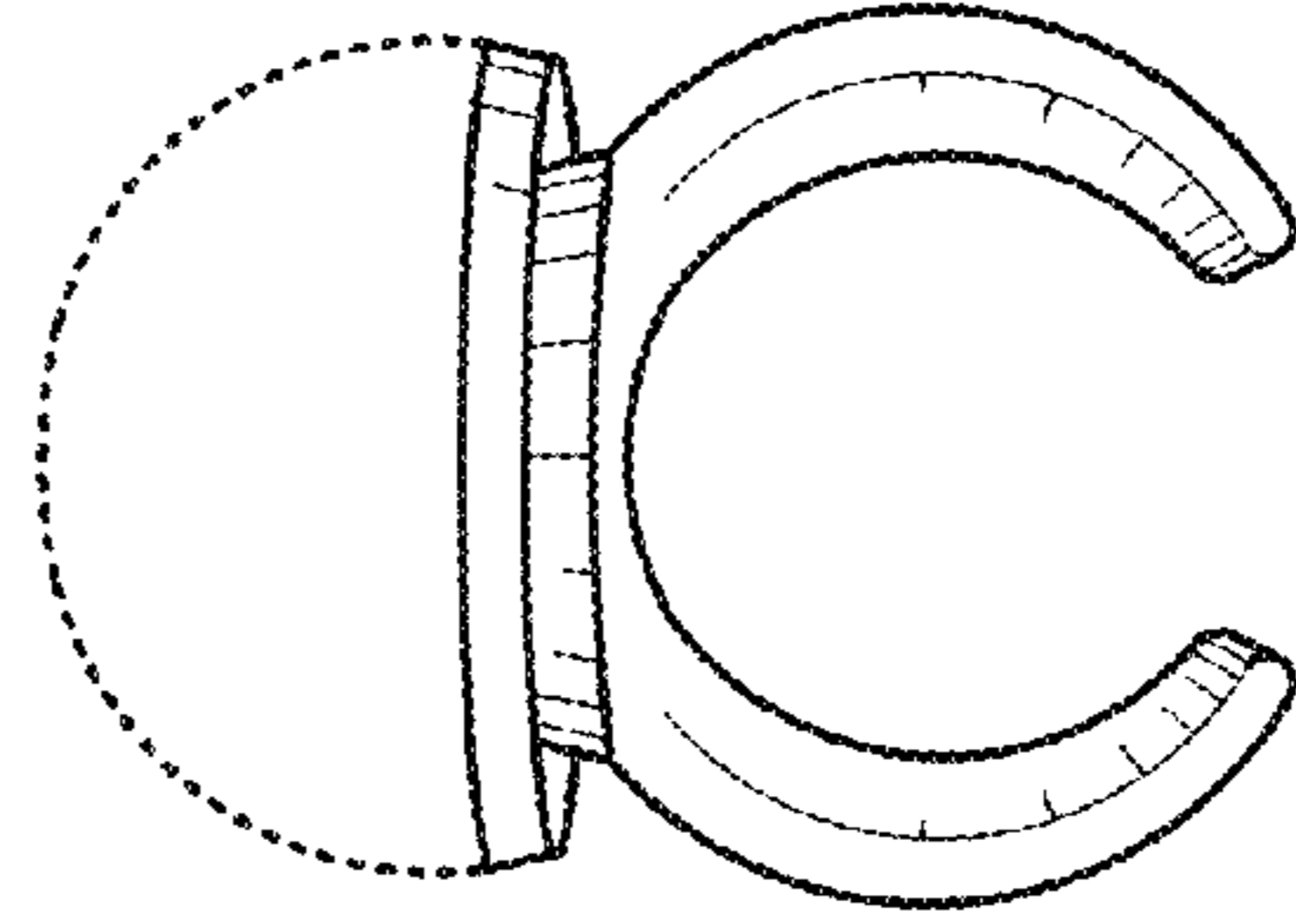


FIG. 6