



US00D776338S

(12) **United States Design Patent** (10) **Patent No.:** **US D776,338 S**  
**Lomeli** (45) **Date of Patent:** **\*\* Jan. 10, 2017**

(54) **ELECTRONIC VAPORIZATION DEVICE**  
(71) Applicant: **PAX Labs, Inc.**, San Francisco, CA (US)  
(72) Inventor: **Kevin Lomeli**, San Francisco, CA (US)  
(73) Assignee: **PAX Labs, Inc.**, San Francisco, CA (US)  
(\*\*) Term: **15 Years**

D368,552 S 4/1996 Adams  
D371,633 S 7/1996 Chenard  
5,545,904 A 8/1996 Orbach  
D379,810 S 6/1997 Giordano et al.  
D382,146 S 8/1997 Sandy  
D397,504 S 8/1998 Zelenik  
D398,150 S \* 9/1998 Vonarburg ..... D28/85  
D411,332 S 6/1999 Zelenik  
D412,279 S \* 7/1999 Brice ..... D7/629  
D422,884 S 4/2000 Lafond  
D424,236 S 5/2000 Reed  
(Continued)

(21) Appl. No.: **29/561,205**  
(22) Filed: **Apr. 14, 2016**

**Related U.S. Application Data**

(63) Continuation of application No. 29/497,578, filed on Jul. 25, 2014, now Pat. No. Des. 762,003.  
(51) **LOC (10) Cl.** ..... **27-02**  
(52) **U.S. Cl.**  
USPC ..... **D27/163**  
(58) **Field of Classification Search**  
USPC ..... D27/101, 105, 108, 123, 129, 162, D27/163, 164, 167, 169, 172, 175, 183, D27/184, 186, 187, 189, 190, 193, 195; D25/126; D9/529; D23/355, 356, 360, D23/363, 370, 390, 397, 412; D14/480.1, D14/480.2, 480.3, 480.4, 484.1  
CPC ..... A24F 1/02; A24F 1/04; A24F 1/08; A24F 1/16; A24F 1/28; A24F 1/30; A24F 3/00; A24F 7/00  
See application file for complete search history.

(56) **References Cited**

**U.S. PATENT DOCUMENTS**

D301,837 S \* 6/1989 Peterson ..... D9/529  
D302,659 S \* 8/1989 Peterson ..... D9/529  
D303,722 S 9/1989 Marlow et al.  
D310,171 S \* 8/1990 Cusenza ..... D9/529  
D336,346 S 6/1993 Miller et al.  
D367,605 S \* 3/1996 Moore ..... D9/529

**OTHER PUBLICATIONS**

Electronic Vaporization Device | Gizmodo Pax 2 Vaporizer | Gizmodo, posted at Gizmodo.com, posting date Jul. 23, 2015 © n/a gizmodo.com, [online], [site visited Oct. 17, 2016], Available on internet at,http://gizmodo.com/pax-2-vaporizer-review-its-like-smoking-in-the-future-1718310779.\*  
(Continued)

*Primary Examiner* — Susan Bennett Hattan  
*Assistant Examiner* — Jennifer Wright  
(74) *Attorney, Agent, or Firm* — Shay Glenn LLP

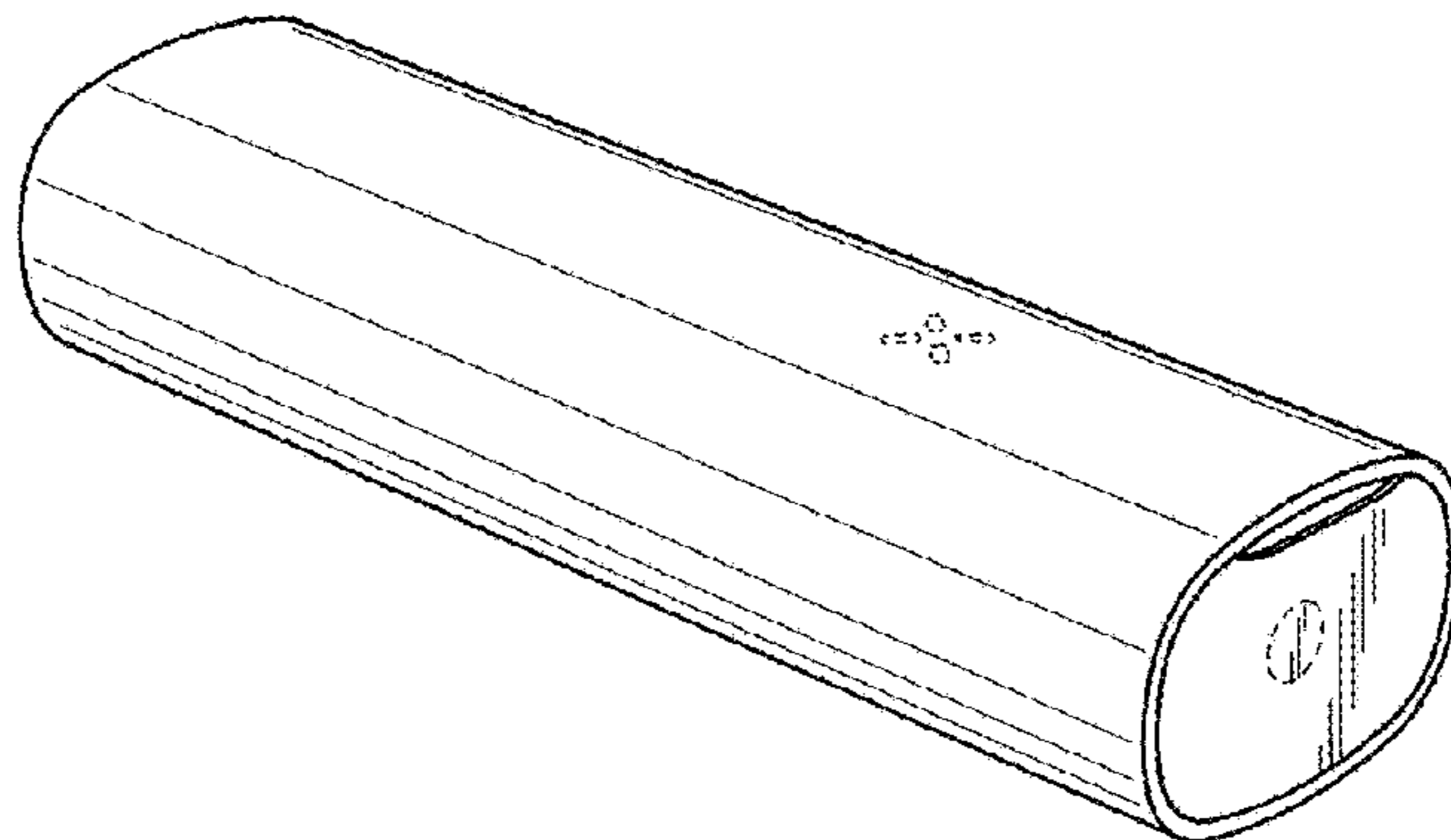
(57) **CLAIM**

The ornamental design for an electronic vaporization device, as shown and described.

**DESCRIPTION**

FIG. 1 is a perspective view of an electronic vaporization device, showing my new design;  
FIG. 2 is a top plan view thereof;  
FIG. 3 is a front elevation view thereof;  
FIG. 4 is a right side elevation view thereof;  
FIG. 5 is a left side elevation view thereof;  
FIG. 6 is a rear elevation view thereof; and,  
FIG. 7 is a bottom plan view thereof.  
The broken lines in the drawings depict parts of the electronic vaporization device that form no part of the claimed design.

**1 Claim, 2 Drawing Sheets**



(56)

References Cited

U.S. PATENT DOCUMENTS

D433,532 S 11/2000 Higgins et al.  
 D485,639 S 1/2004 Stronski  
 D540,687 S \* 4/2007 Egawa ..... D9/529  
 D545,904 S \* 7/2007 Chen ..... D19/66  
 D557,209 S 12/2007 Ahlgren et al.  
 D558,060 S \* 12/2007 Sir ..... D9/687  
 D562,151 S \* 2/2008 Larocca ..... D9/529  
 D569,727 S \* 5/2008 Moretti ..... D9/454  
 D571,556 S \* 6/2008 Raile ..... D3/265  
 D573,474 S 7/2008 Beam et al.  
 D577,150 S 9/2008 Bryman et al.  
 D577,591 S \* 9/2008 Bouroullec ..... D9/529  
 D599,670 S \* 9/2009 Qin ..... D9/529  
 D611,409 S 3/2010 Green et al.  
 D616,753 S \* 6/2010 Beam ..... D9/420  
 7,905,236 B2 3/2011 Bryman et al.  
 D645,817 S \* 9/2011 Sasada ..... D13/108  
 D647,247 S 10/2011 Jones  
 D649,708 S 11/2011 Oneil  
 D649,932 S 12/2011 Symons  
 D661,991 S 6/2012 Brummelhuis et al.  
 D664,636 S 7/2012 Robinson et al.  
 D670,272 S \* 11/2012 Suzuki ..... D14/217  
 D674,748 S 1/2013 Ferber et al.  
 D682,698 S \* 5/2013 Young ..... D9/529  
 D684,683 S 6/2013 Curti et al.  
 D686,987 S 7/2013 Vanstone et al.  
 D700,572 S 3/2014 Esses  
 D704,629 S 5/2014 Liu  
 D704,634 S 5/2014 Eidelman et al.  
 D705,918 S 5/2014 Robinson et al.  
 D708,727 S 7/2014 Postma  
 8,881,738 B2 11/2014 Bryman  
 D720,095 S 12/2014 Alima  
 D720,496 S 12/2014 Alima  
 D720,497 S 12/2014 Alima  
 D721,202 S 1/2015 Liu  
 D721,972 S 2/2015 Brewer et al.  
 D725,310 S 3/2015 Eksouzian  
 9,010,335 B1 4/2015 Scatterday  
 D728,855 S 5/2015 Liu  
 D738,038 S 9/2015 Smith  
 D739,973 S \* 9/2015 Chao ..... D13/108  
 9,167,849 B2 10/2015 Adamic  
 D742,492 S 11/2015 Robinson et al.  
 D743,099 S 11/2015 Oglesby  
 D744,342 S 12/2015 Blasko et al.  
 D744,419 S 12/2015 Bowen et al.  
 D757,352 S 5/2016 Bagai  
 D757,353 S 5/2016 Nunnelly et al.  
 D762,003 S \* 7/2016 Lomeli ..... D27/163

D768,920 S \* 10/2016 Jones ..... D27/189  
 2002/0088469 A1 7/2002 Rennecamp  
 2006/0191546 A1 8/2006 Takano et al.  
 2007/0089757 A1\* 4/2007 Bryman ..... A24F 3/00  
 131/330  
 2010/0163063 A1 7/2010 Fernando et al.  
 2013/0042865 A1 2/2013 Monsees et al.  
 2014/0014124 A1 1/2014 Glasberg et al.  
 2014/0107815 A1 4/2014 Lamothe  
 2014/0161301 A1 6/2014 Merenda  
 2014/0178461 A1 6/2014 Rigas  
 2015/0245654 A1 9/2015 Memari et al.  
 2015/0245655 A1 9/2015 Memari et al.  
 2015/0245657 A1 9/2015 Memari et al.  
 2015/0245665 A1 9/2015 Memari et al.  
 2015/0245666 A1 9/2015 Memari et al.  
 2015/0245667 A1 9/2015 Memari et al.  
 2015/0245668 A1 9/2015 Memari et al.  
 2015/0282526 A1 10/2015 Wu  
 2015/0305409 A1 10/2015 Verleur et al.  
 2015/0313283 A1 11/2015 Collett et al.  
 2015/0313287 A1 11/2015 Verleur et al.  
 2015/0320116 A1 11/2015 Bleloch et al.  
 2015/0351455 A1 12/2015 Liu  
 2015/0357608 A1 12/2015 Huang

OTHER PUBLICATIONS

FC Vaporizer Review Forum; Pax Vaporizer by Ploom; retrieved from: <http://fuckcombustion.com/threads/pax-vaporizer-by-ploom.6223/>; p. 2 & 11 (2 pgs.); retrieval/print date: Nov. 16, 2015.  
 VapeWorld; Original PAX Vaporizers for Portable and Home Use; retrieved from: <http://www.vapeworld.com/pax-vaporizer-by-ploom?gclid=CPCi1PKojskCFU06gQodPr>; 9 pgs.; retrieval/print date: Nov. 13, 2015.  
 Pax Labs, Inc.; JUUL product information © 2016; retrieved from <https://www.juulvapor.com/shop-juul/>; 6 pgs.; retrieval/print date: Mar. 9, 2016.  
 Monsees et al.; Design U.S. Appl. No. 29/537,866 entitled “Electronic Vaporization Device”, filed Aug. 28, 2015.  
 Bowen et al.; Design U.S. Appl. No. 29/499,016 entitled “Electronic Vaporization Device”, filed Aug. 11, 2014.  
 Bowen et al.; Design U.S. Appl. No. 29/499,018 entitled “Electronic Vaporization Device With Cartridge”, filed Aug. 11, 2014.  
 Bowen et al.; Design U.S. Appl. No. 29/499,021 entitled “Cartridge for Electronic Vaporization Device”, filed Aug. 11, 2014.  
 Bowen et al.; Design U.S. Appl. No. 29/542,362 entitled “Electronic Vaporization Device With Cartridge”, filed Oct. 13, 2015.  
 Lomeli, K.; Design U.S. Appl. No. 29/497,578 entitled “Electronic Vaporization Device”, filed Jul. 25, 2014.

\* cited by examiner

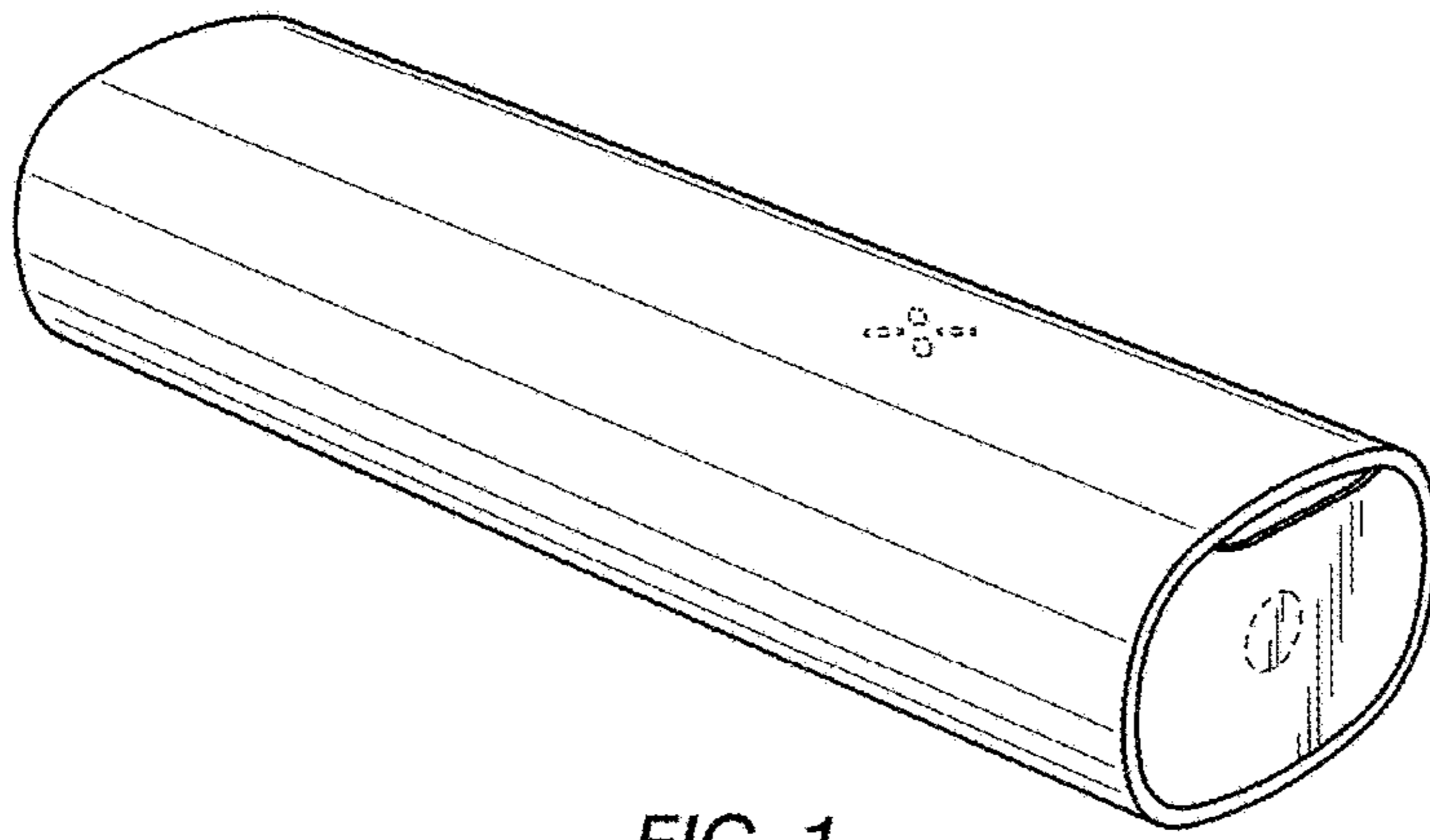


FIG. 1

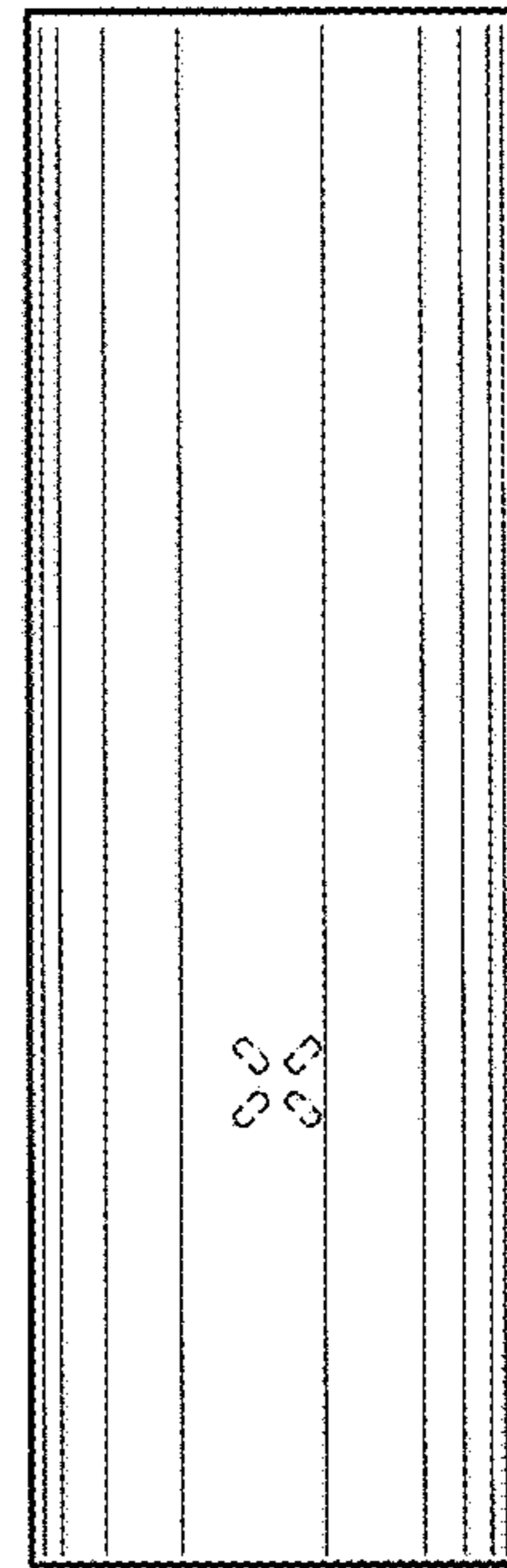


FIG. 2

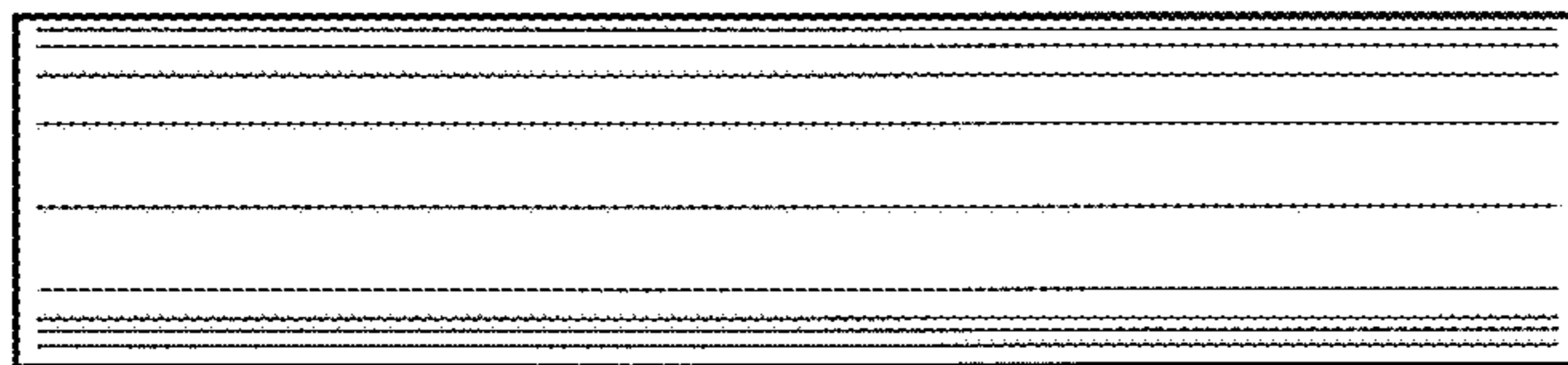


FIG. 4

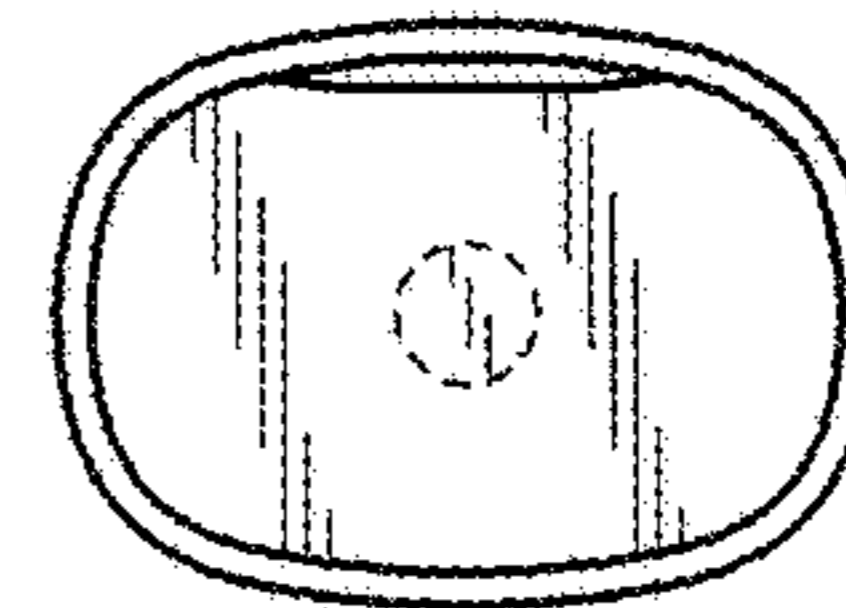


FIG. 3

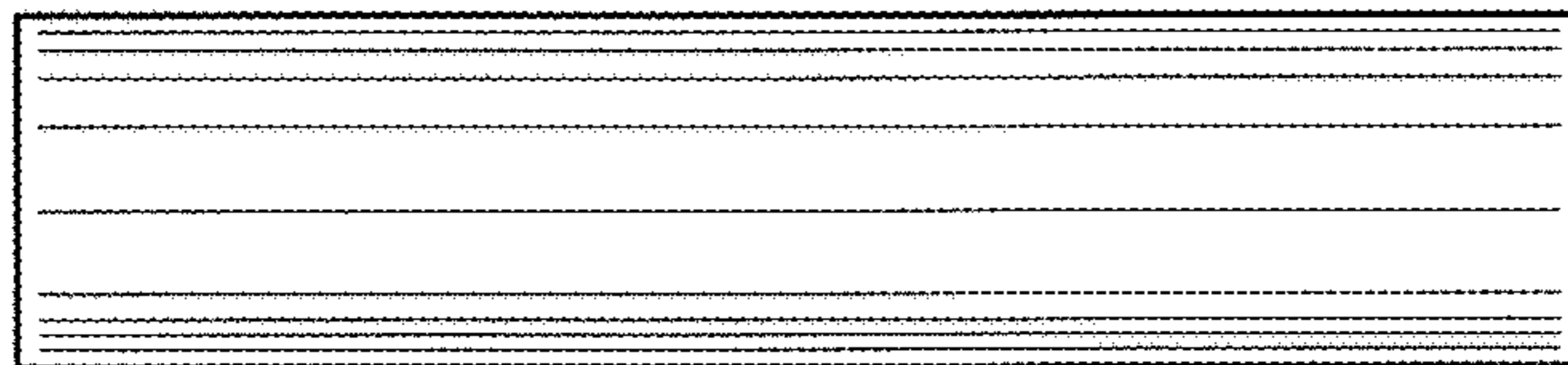


FIG. 5

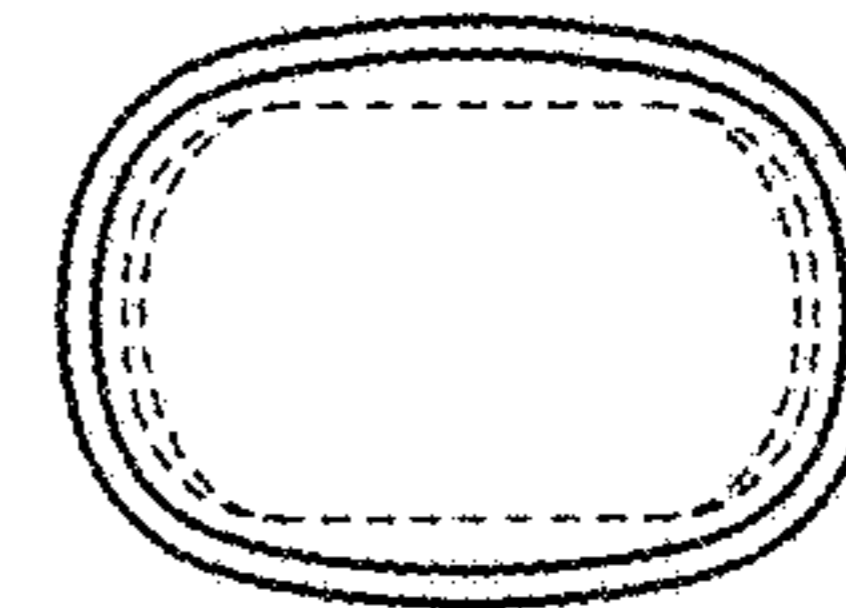
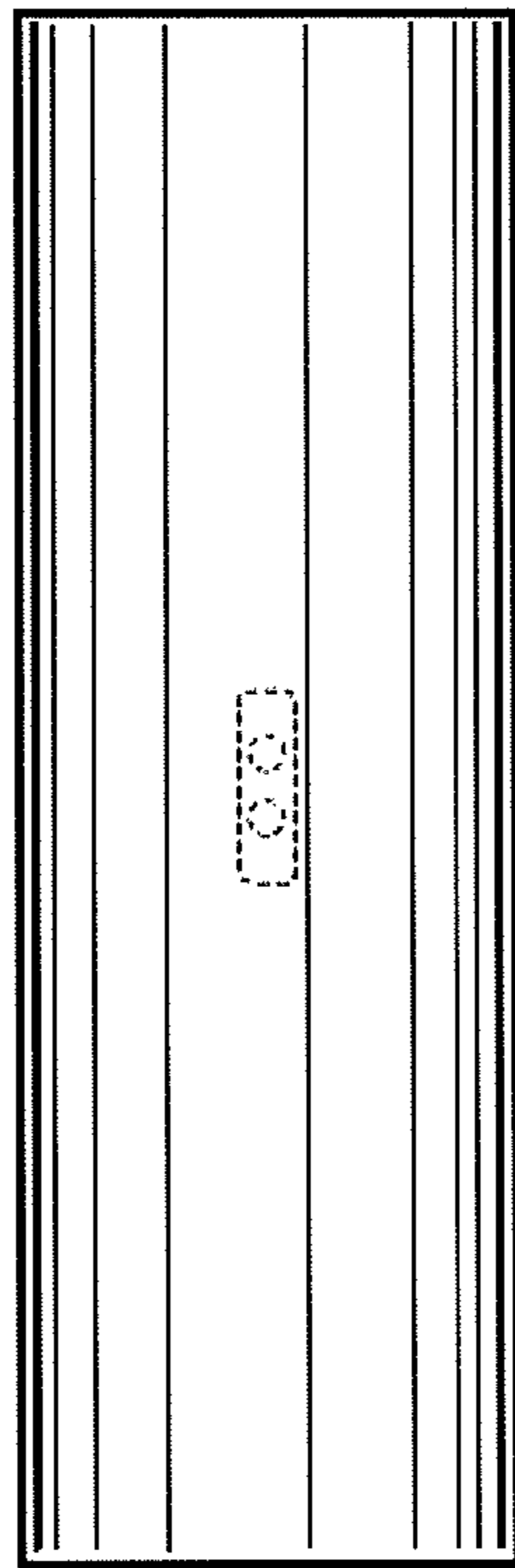


FIG. 6



**FIG. 7**