



US00D776337S

(12) **United States Design Patent** (10) **Patent No.:** **US D776,337 S**
Levin et al. (45) **Date of Patent:** **** Jan. 10, 2017**

(54) **ELECTRONIC VAPORIZING DEVICE ASSEMBLY**

(71) Applicant: **UpToke, LLC**, Berkeley, CA (US)

(72) Inventors: **Jason R. Levin**, Berkeley, CA (US); **Adam J. Tavin**, East Palo Alto, CA (US); **Peter Stathis**, San Francisco, CA (US); **Matthew Christian Boyko**, San Francisco, CA (US); **Sasan Nawaby Shirazi**, Palo Alto, CA (US); **Darius Fredrick Mostowfi**, San Carlos, CA (US)

(73) Assignee: **UpToke, LLC**, Berkeley, CA (US)

(**) Term: **14 Years**

(21) Appl. No.: **29/467,774**

(22) Filed: **Sep. 23, 2013**

Related U.S. Application Data

(63) Continuation-in-part of application No. 29/446,706, filed on Feb. 26, 2013, now Pat. No. Des. 725,821.

(51) **LOC (10) Cl.** **27-02**

(52) **U.S. Cl.**
USPC **D27/163; D27/101; D27/167**

(58) **Field of Classification Search**
USPC **D27/100, 101, 163; 131/270-273, 131/360-368, 329, 330**

(Continued)

(56) **References Cited**

U.S. PATENT DOCUMENTS

3,352,309 A 11/1967 Kaul
3,853,132 A 12/1974 Patton

(Continued)

FOREIGN PATENT DOCUMENTS

RU 94815 U1 6/2010
RU 111765 U1 12/2011

OTHER PUBLICATIONS

Notice of Allowance mailed Nov. 12, 0214, from U.S. Appl. No. 29/446,706 (9 pages).

(Continued)

Primary Examiner — Susan Bennett Hattan

Assistant Examiner — Janice Hallmark

(74) *Attorney, Agent, or Firm* — Kilpatrick Townsend & Stockton LLP

(57) **CLAIM**

The ornamental design for an electronic vaporizing device assembly, as shown and described.

DESCRIPTION

FIG. 1 is a front perspective assembled view of an electronic vaporizing device assembly showing our new design showing a main body housing assembled with an end cap at the left side and a mouthpiece at the right side;

FIG. 2 is a rear perspective assembled view of FIG. 1;

FIG. 3 is a left side view of the main body housing of FIG. 1;

FIG. 4 is a right side view of the main body housing of FIG. 1;

FIG. 5 is a front view of the main body housing of FIG. 1;

FIG. 6 is a rear view of the main body housing of FIG. 1;

FIG. 7 is a left side of the end cap of FIG. 1;

FIG. 8 is a right side view of the end cap of FIG. 1;

FIG. 9 is a rear view of the end cap of FIG. 1;

FIG. 10 is a front view of the end cap of FIG. 1;

FIG. 11 is a left side view of the mouthpiece of FIG. 1;

FIG. 12 is a right side view of the mouthpiece of FIG. 1;

FIG. 13 is a top side view of the mouthpiece of FIG. 1;

FIG. 14 is a bottom side view of the mouthpiece of FIG. 1;

FIG. 15 is a front perspective view of the mouthpiece of FIG. 1;

FIG. 16 is a front view of the mouthpiece of FIG. 1;

FIG. 17 is a rear view of the mouthpiece of FIG. 1;

FIG. 18 is a rear perspective view of the mouthpiece of FIG. 1;

FIG. 19 is a rear perspective assembled view of the endcap of FIG. 1 in a closed position of the endcap; and,

(Continued)

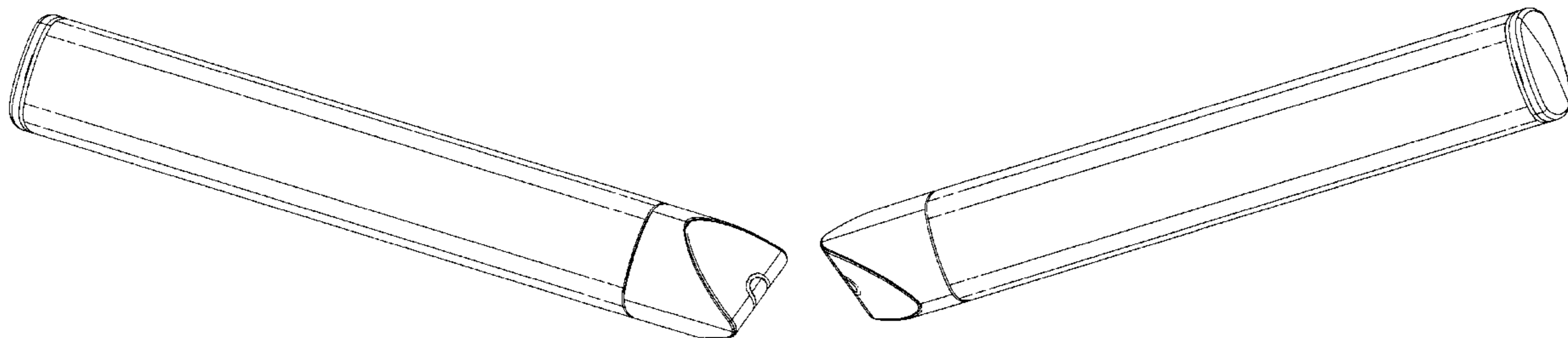


FIG. 20 is a rear perspective assembled view of the endcap of FIG. 1 in an open position of the endcap in which a recharging port, depicted in broken line, is exposed. The broken lines in the drawings depict parts of the electronic vaporizing device assembly that form no part of the claimed design.

1 Claim, 5 Drawing Sheets

(58) **Field of Classification Search**

CPC A24C 1/18; A24D 1/00; A61M 15/06; A24F 47/002

See application file for complete search history.

(56) **References Cited**

U.S. PATENT DOCUMENTS

4,947,874	A	8/1990	Brooks et al.	
5,535,735	A	7/1996	McPherson	
D405,219	S	2/1999	Dal Monte	
5,878,752	A	3/1999	Adams et al.	
6,095,153	A	8/2000	Kessler et al.	
D479,018	S	8/2003	Sgariboldi	
D533,309	S	12/2006	Nobuto et al.	
D585,489	S	1/2009	Han	
D598,496	S	8/2009	Ikeda	
D617,050	S	6/2010	Lou	
7,832,410	B2	11/2010	Hon	
D628,636	S	12/2010	Wang	
7,997,280	B2	8/2011	Rosenthal	
D656,545	S	3/2012	Hung	
D675,777	S *	2/2013	Wu	D27/101
D681,038	S	4/2013	Tomohiro	
D684,311	S	6/2013	Liu	
D720,496	S *	12/2014	Alima	D27/101
D720,497	S *	12/2014	Alima	D27/101

D720,499	S *	12/2014	Alima	D27/167
D720,882	S *	1/2015	Albanese	D27/101
D720,883	S *	1/2015	Albanese	D27/101
D724,263	S *	3/2015	Malhi	D27/101
D724,264	S *	3/2015	Chambers	D27/101
D724,779	S *	3/2015	Liu	D27/101
D725,310	S *	3/2015	Eksouzian	D27/101
D725,821	S *	3/2015	Levin	D27/101
D725,822	S *	3/2015	Liu	D27/101
2008/0023003	A1	1/2008	Rosenthal	
2009/0293892	A1	12/2009	Williams et al.	
2010/0242974	A1	9/2010	Pan	
2011/0036346	A1	2/2011	Cohen et al.	
2011/0097060	A1	4/2011	Buzzetti	
2011/0168194	A1	7/2011	Hon	
2011/0192399	A1	8/2011	Wilke et al.	
2011/0236002	A1	9/2011	Oglesby et al.	
2011/0265806	A1	11/2011	Alarcon et al.	
2012/0048266	A1	3/2012	Alelov	
2012/0097774	A1	4/2012	Hainbach	
2012/0125350	A1	5/2012	Braveman	
2012/0325227	A1	12/2012	Robinson et al.	
2013/0220316	A1	8/2013	Oglesby et al.	
2013/0298905	A1 *	11/2013	Levin	A24F 47/008 128/202.21
2014/0261494	A1	9/2014	Scatterday	
2015/0114406	A1 *	4/2015	Newton	A24F 47/002 131/329

OTHER PUBLICATIONS

International Search Report and Written Opinion of corresponding International Application No. PCT/US2013/030610, dated Aug. 29, 2013. 7 pages.
International Preliminary Report on Patentability mailed Sep. 25, 2014, from PCT application No. PCT/US2013/030610 (6 pages).
Office Action mailed Jun. 18, 2015, from U.S. Appl. No. 13/797,905 (19 pages).

* cited by examiner

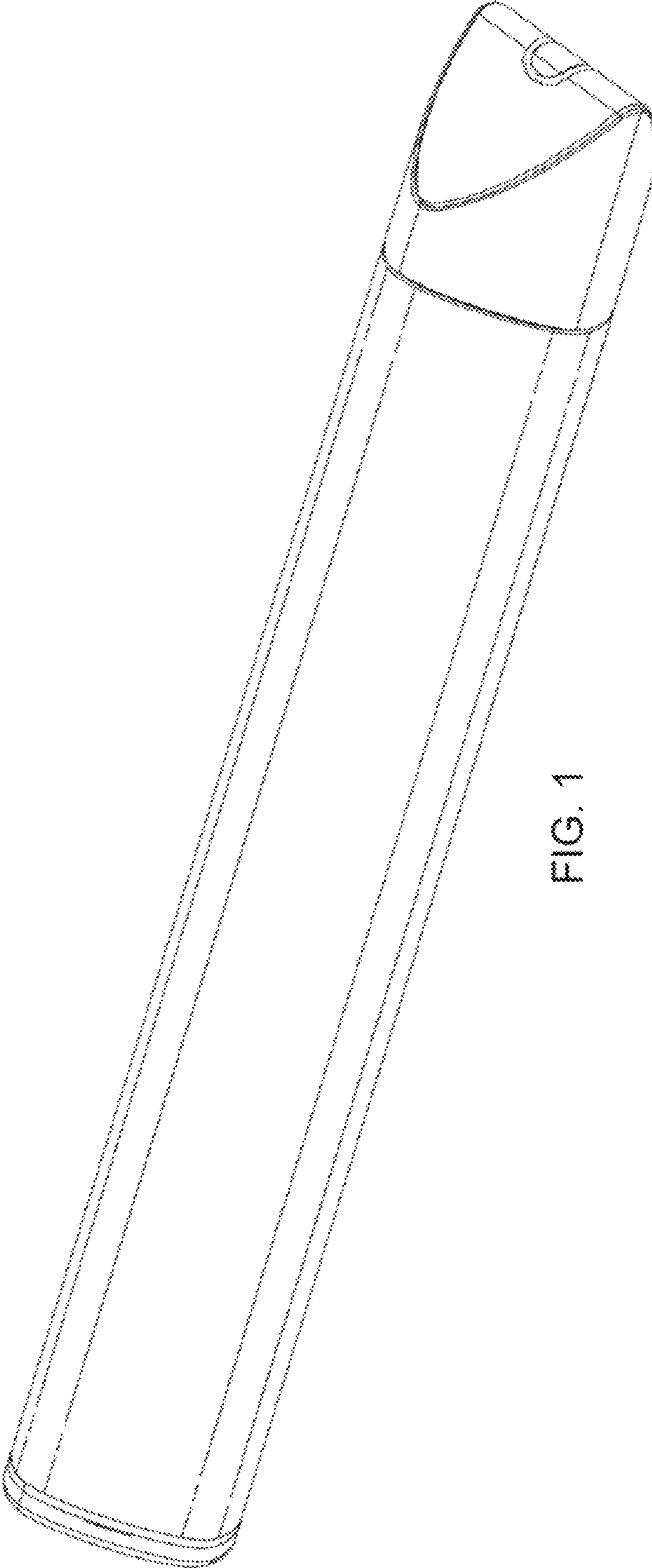


FIG. 1

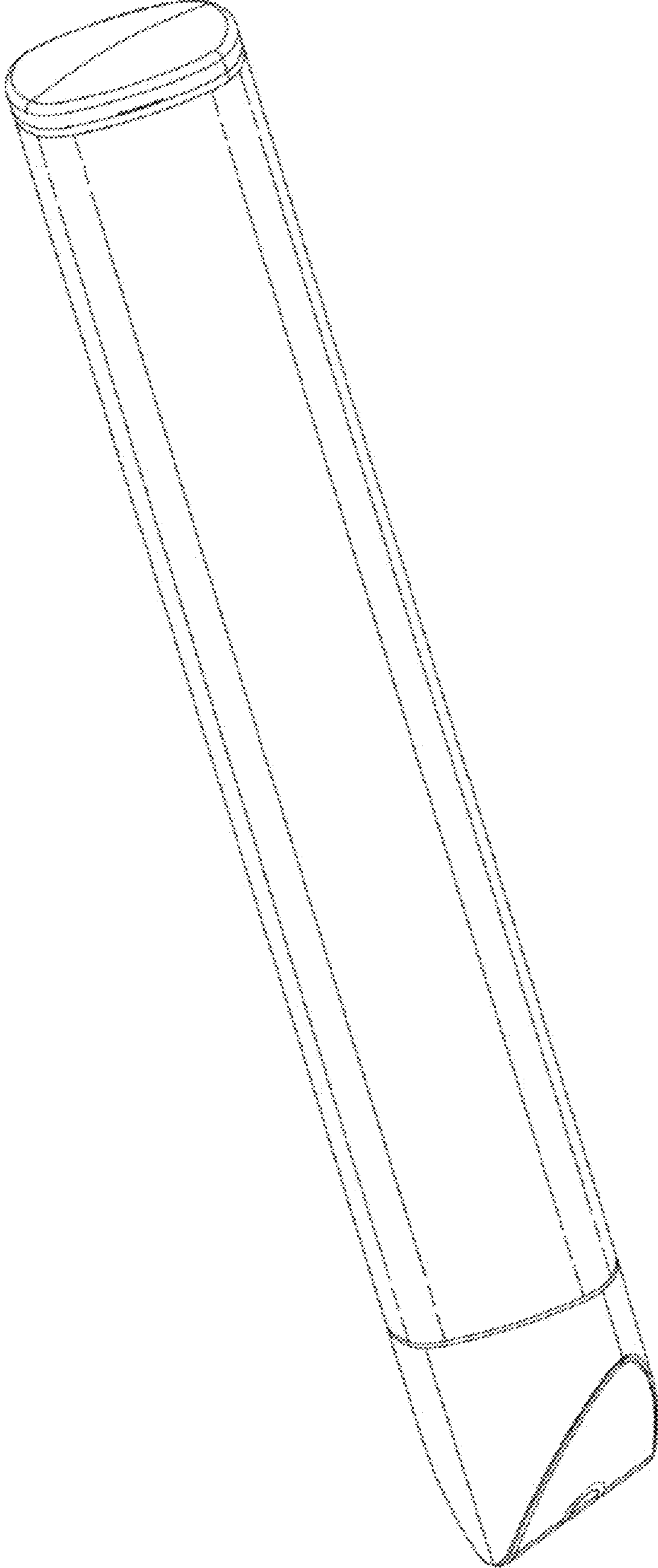


FIG. 2

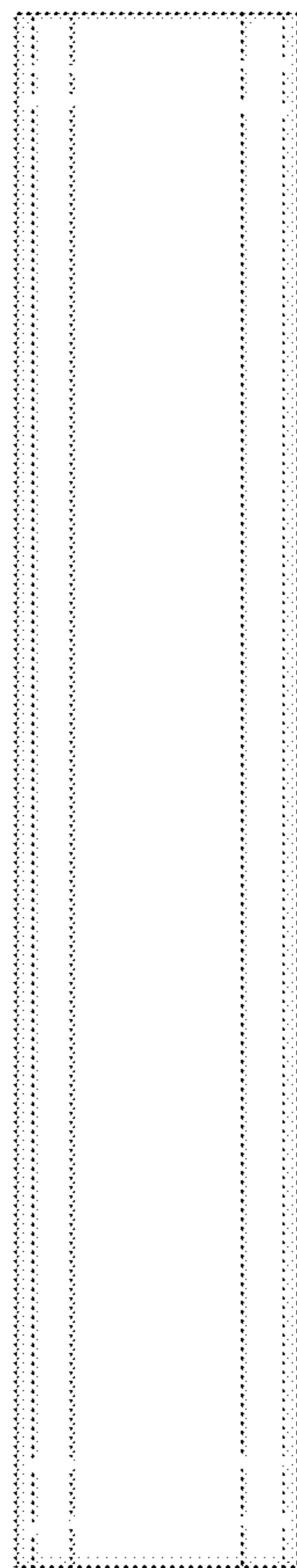


FIG. 3

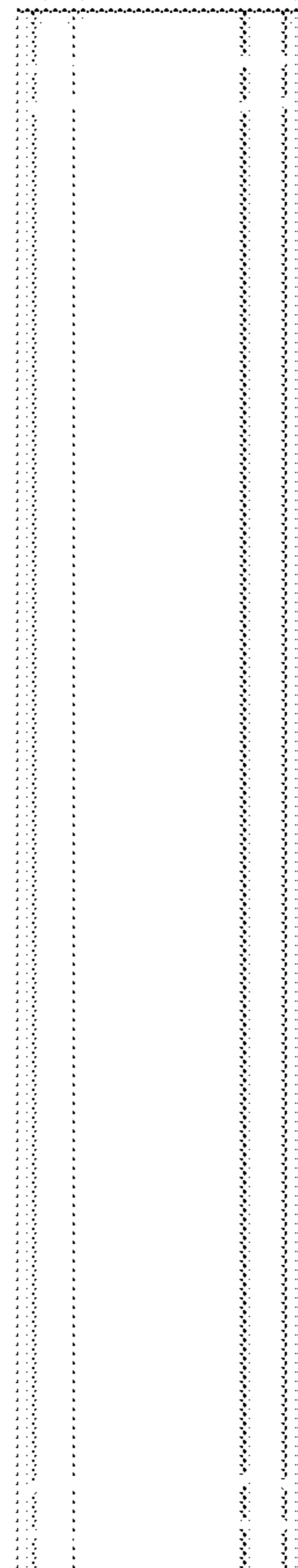


FIG. 4

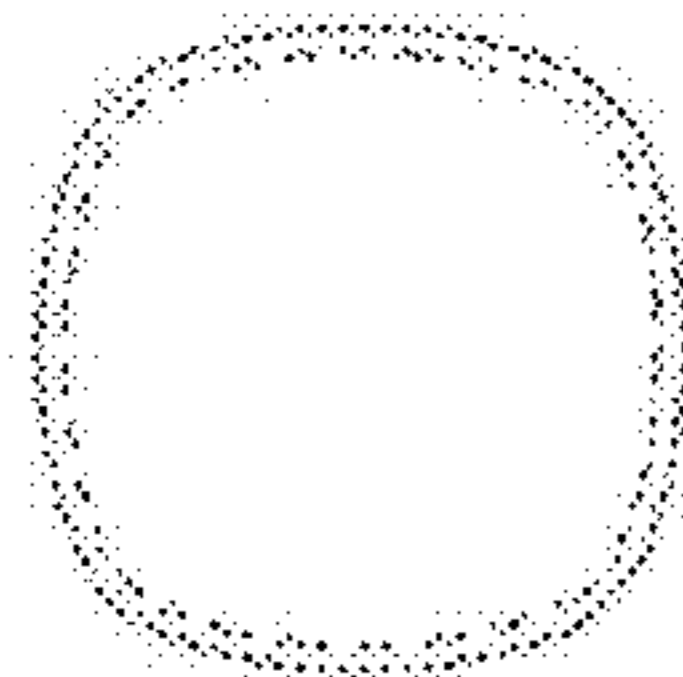


FIG. 5

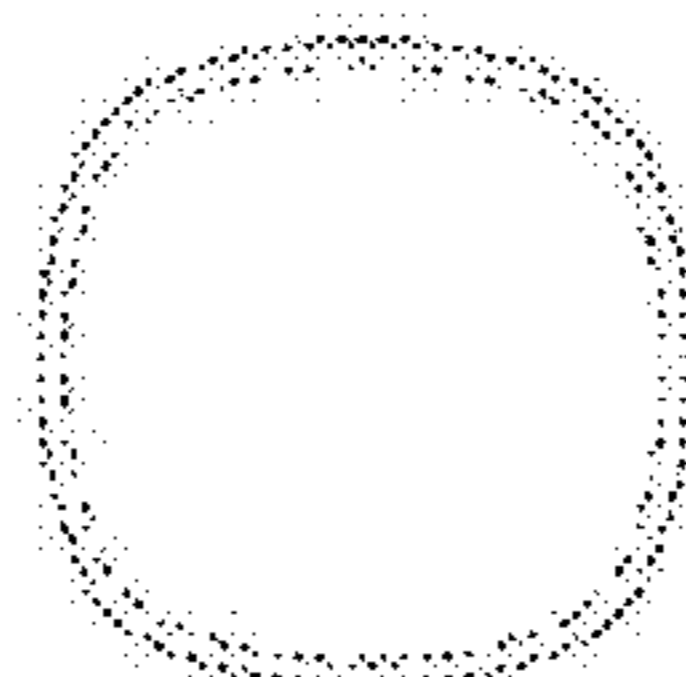


FIG. 6



FIG. 7

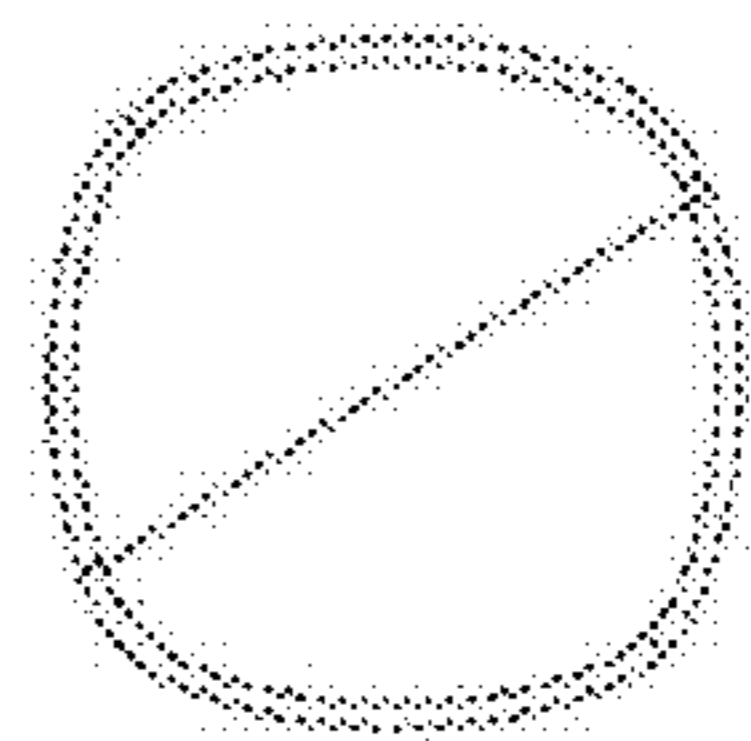


FIG. 8

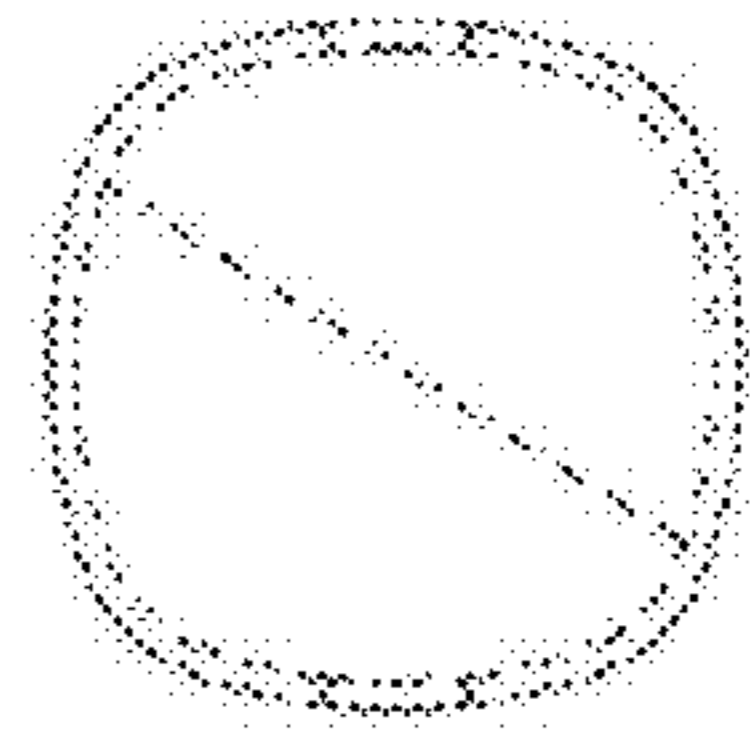


FIG. 9



FIG. 10

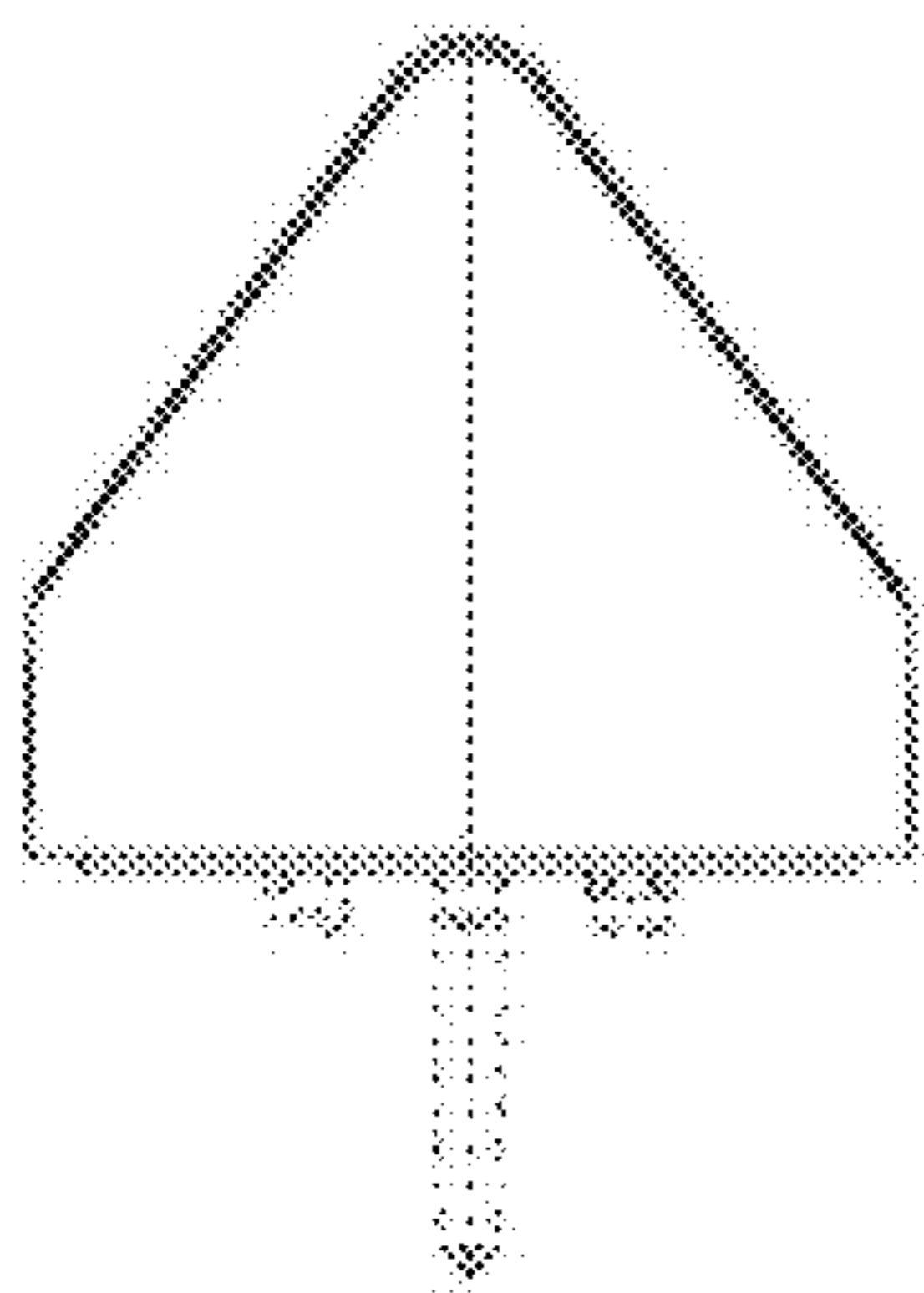


FIG. 11

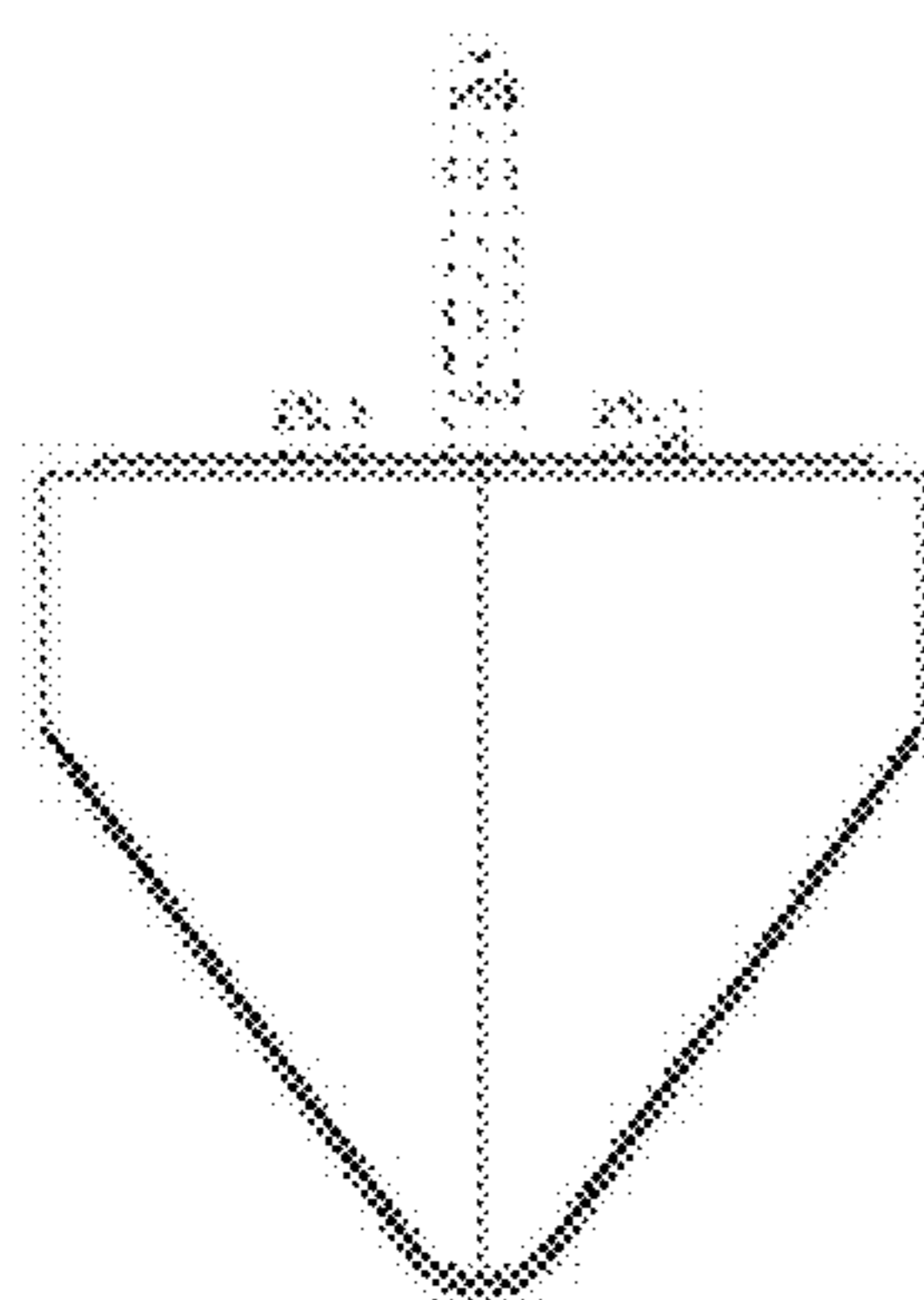


FIG. 12

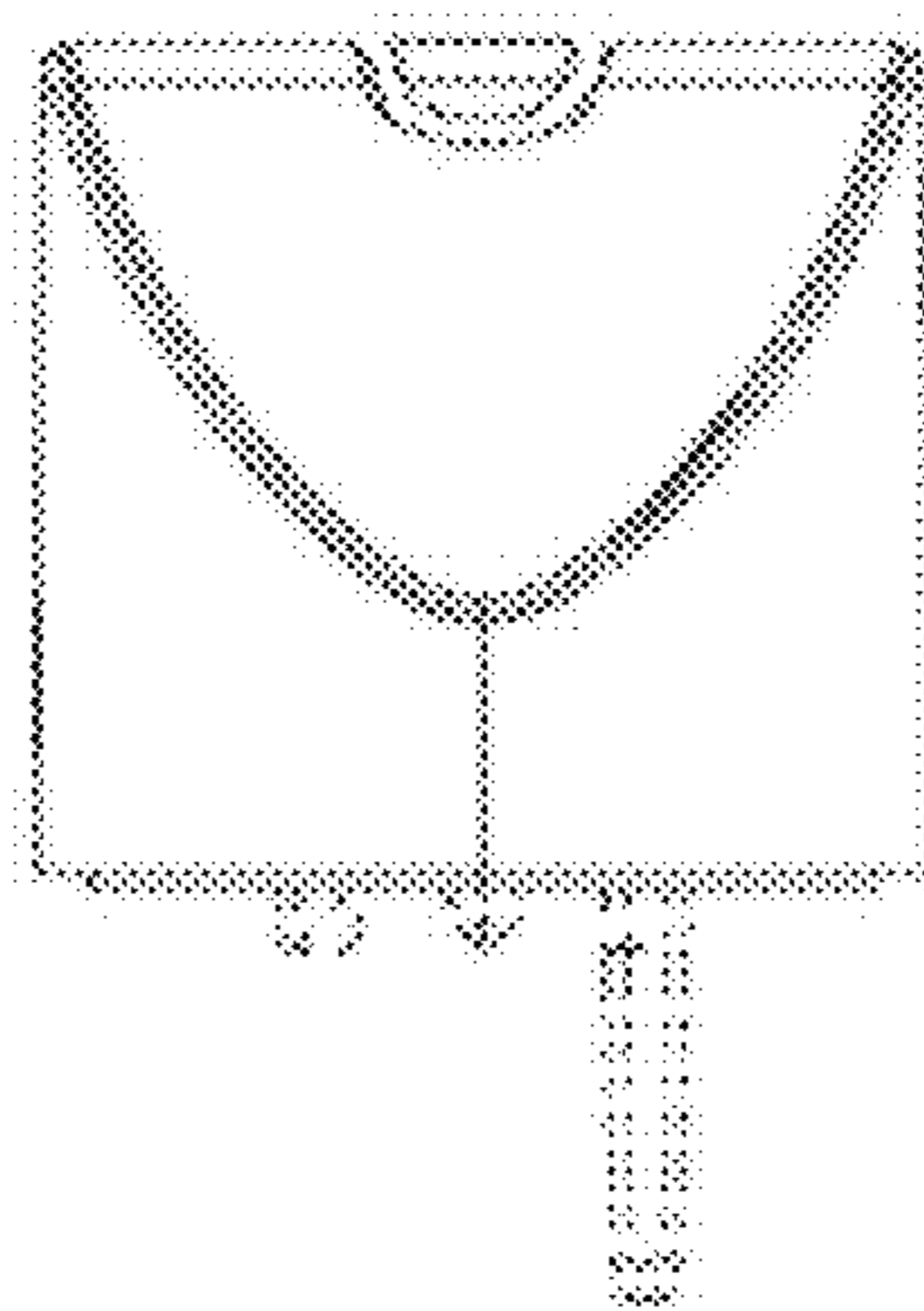


FIG. 13

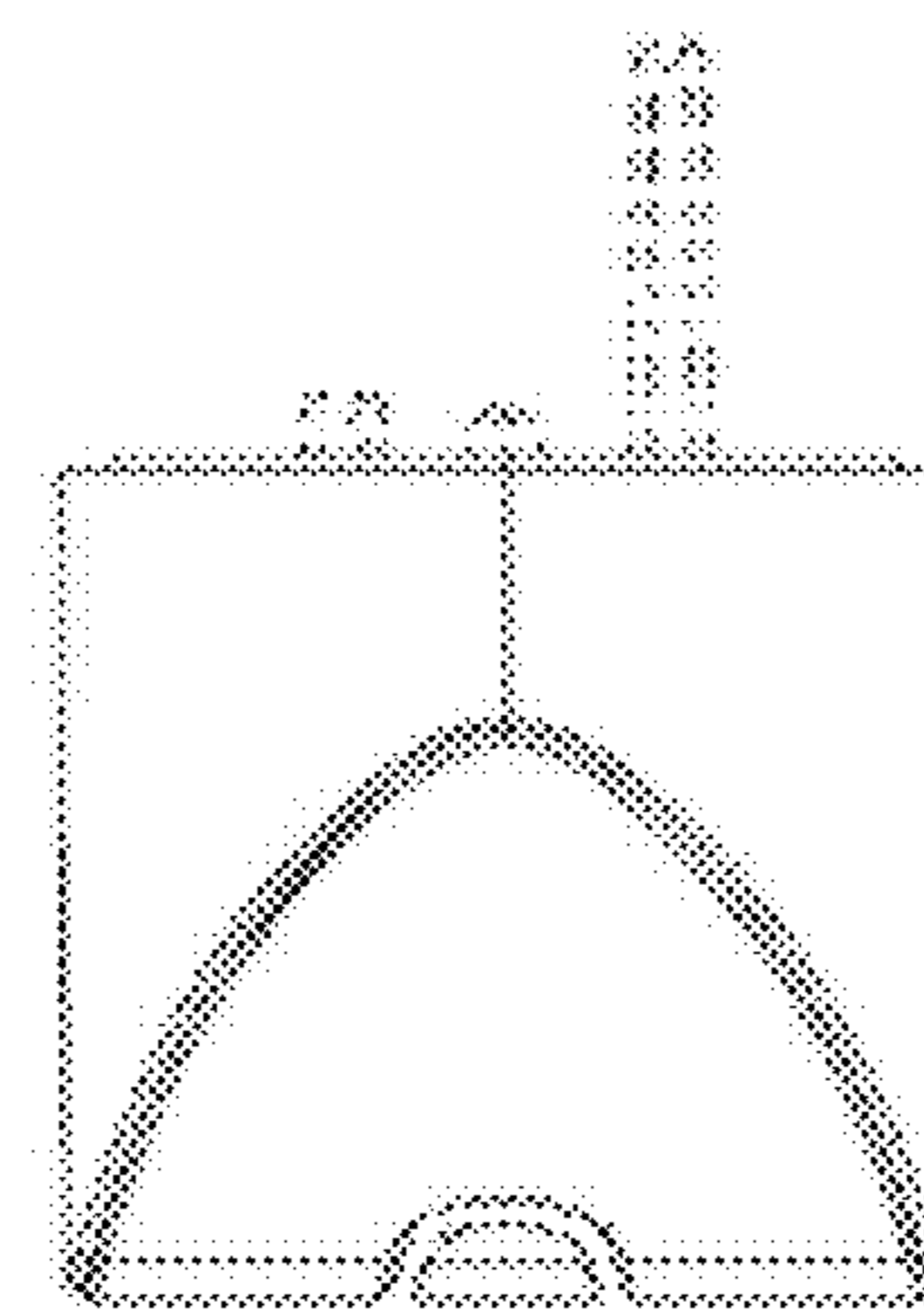


FIG. 14

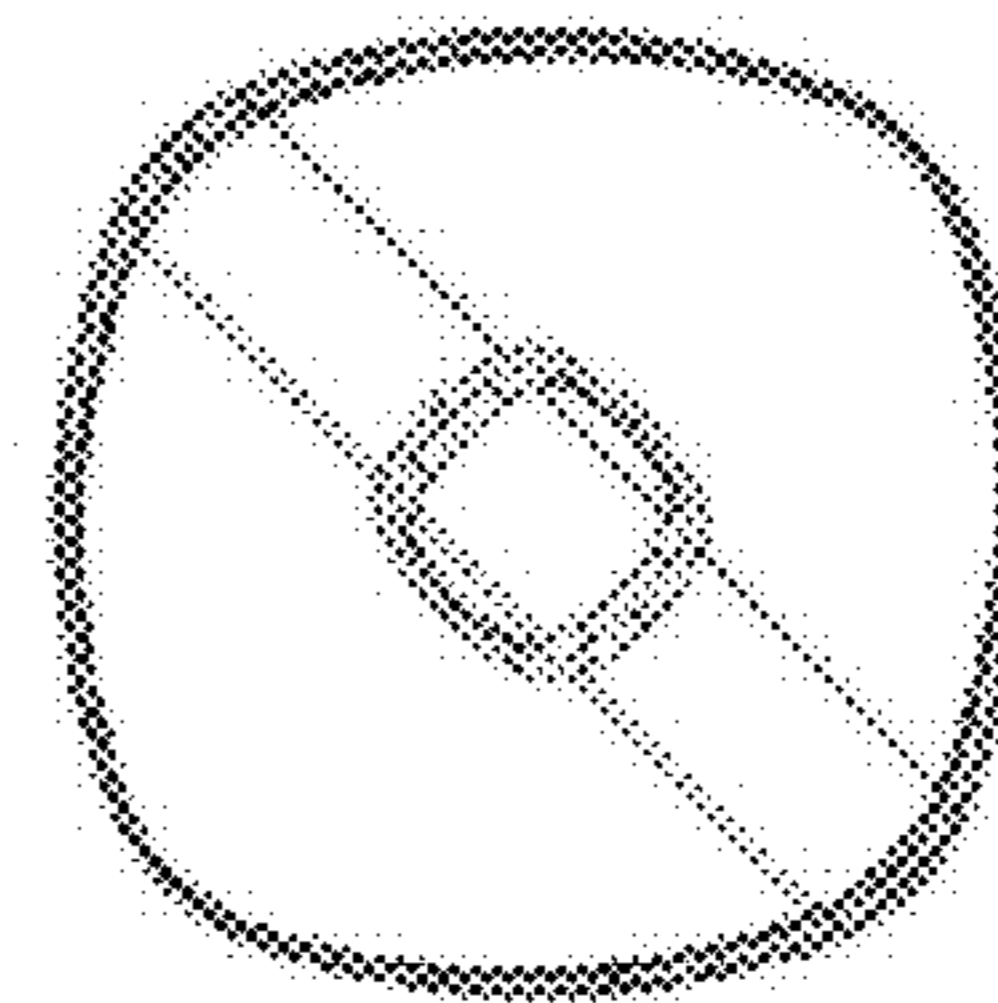


FIG. 16

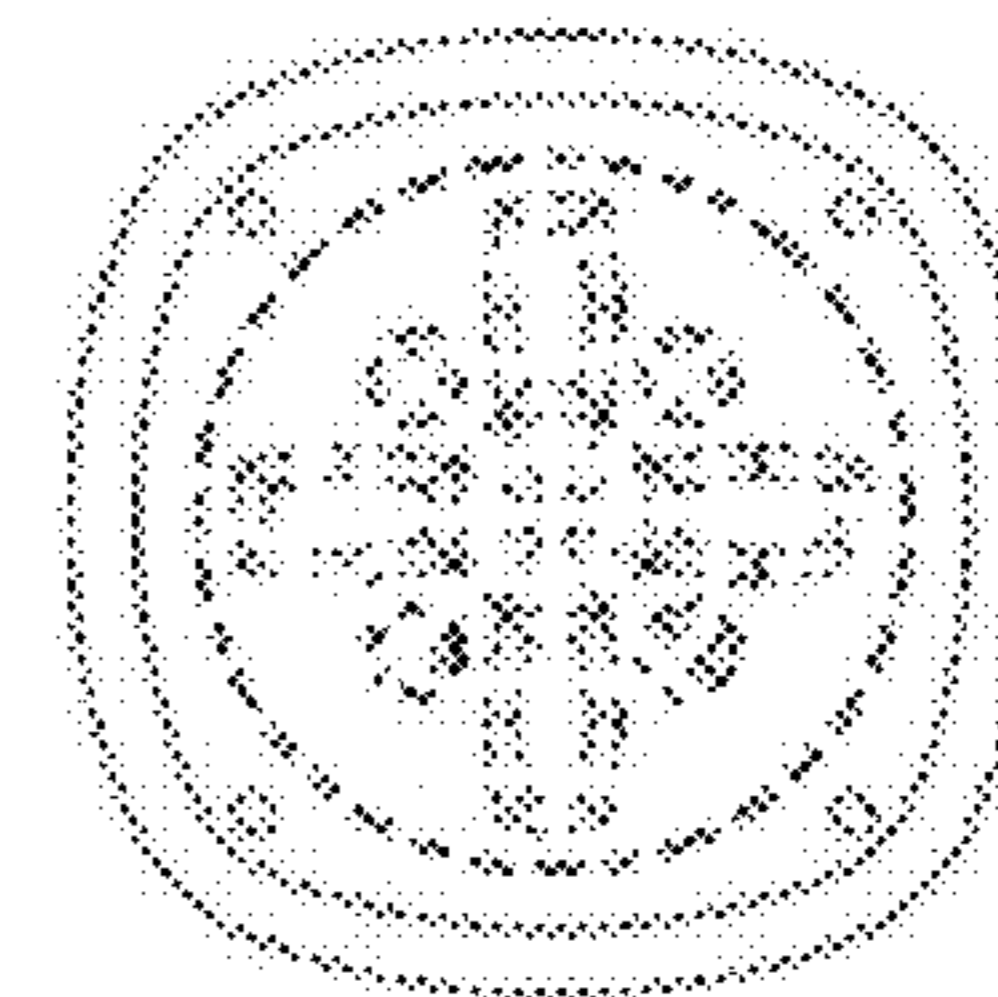


FIG. 17

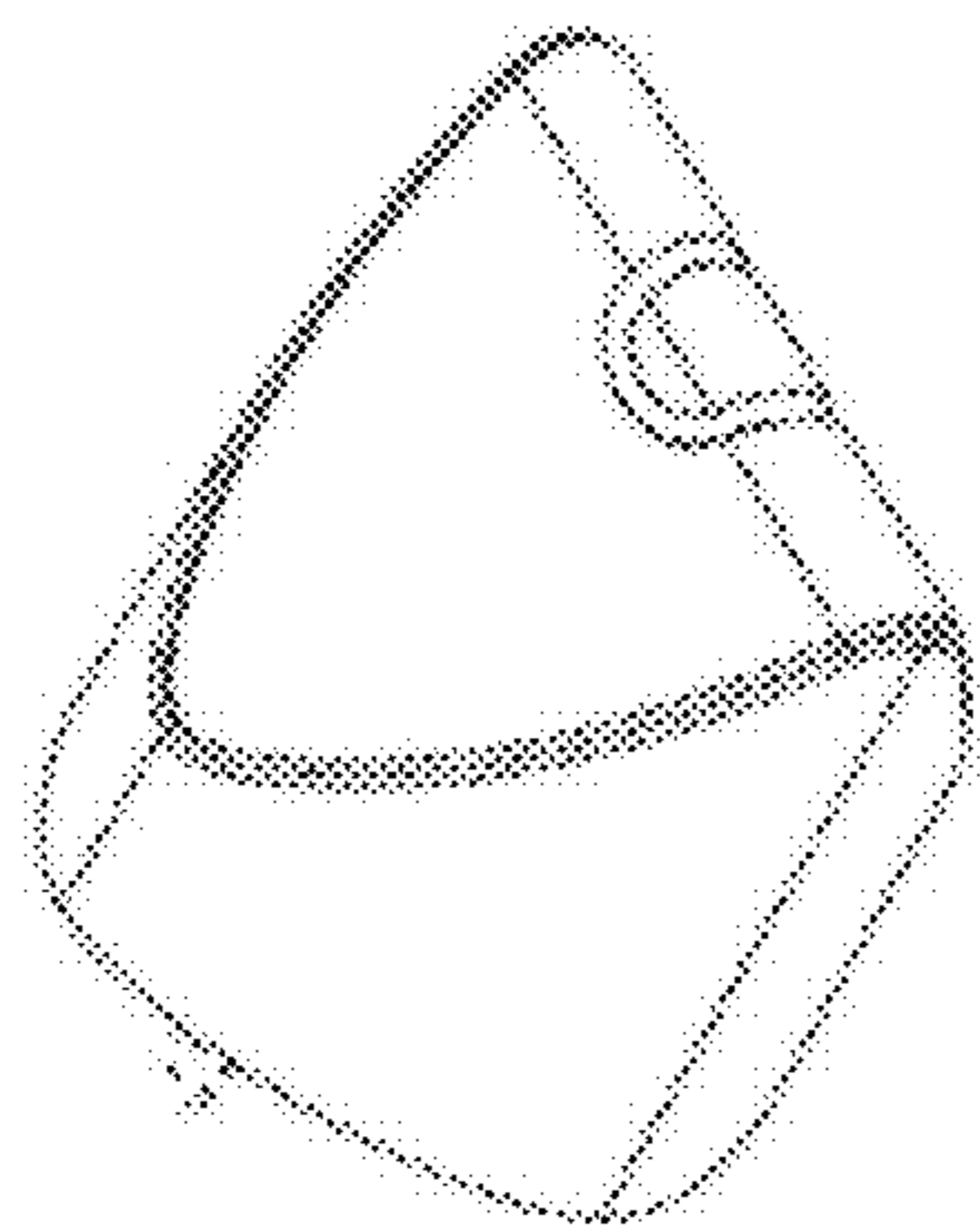


FIG. 15

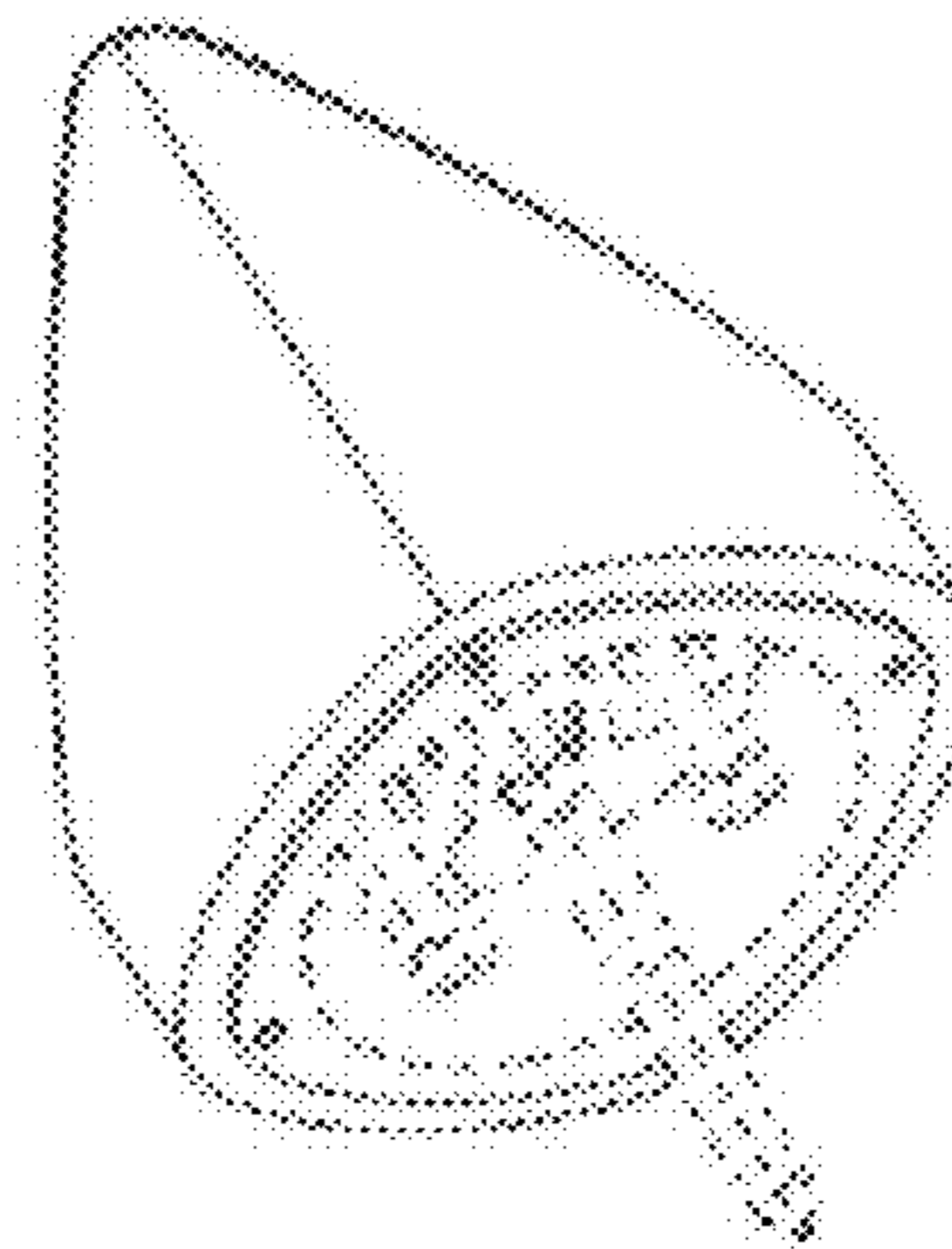


FIG. 18

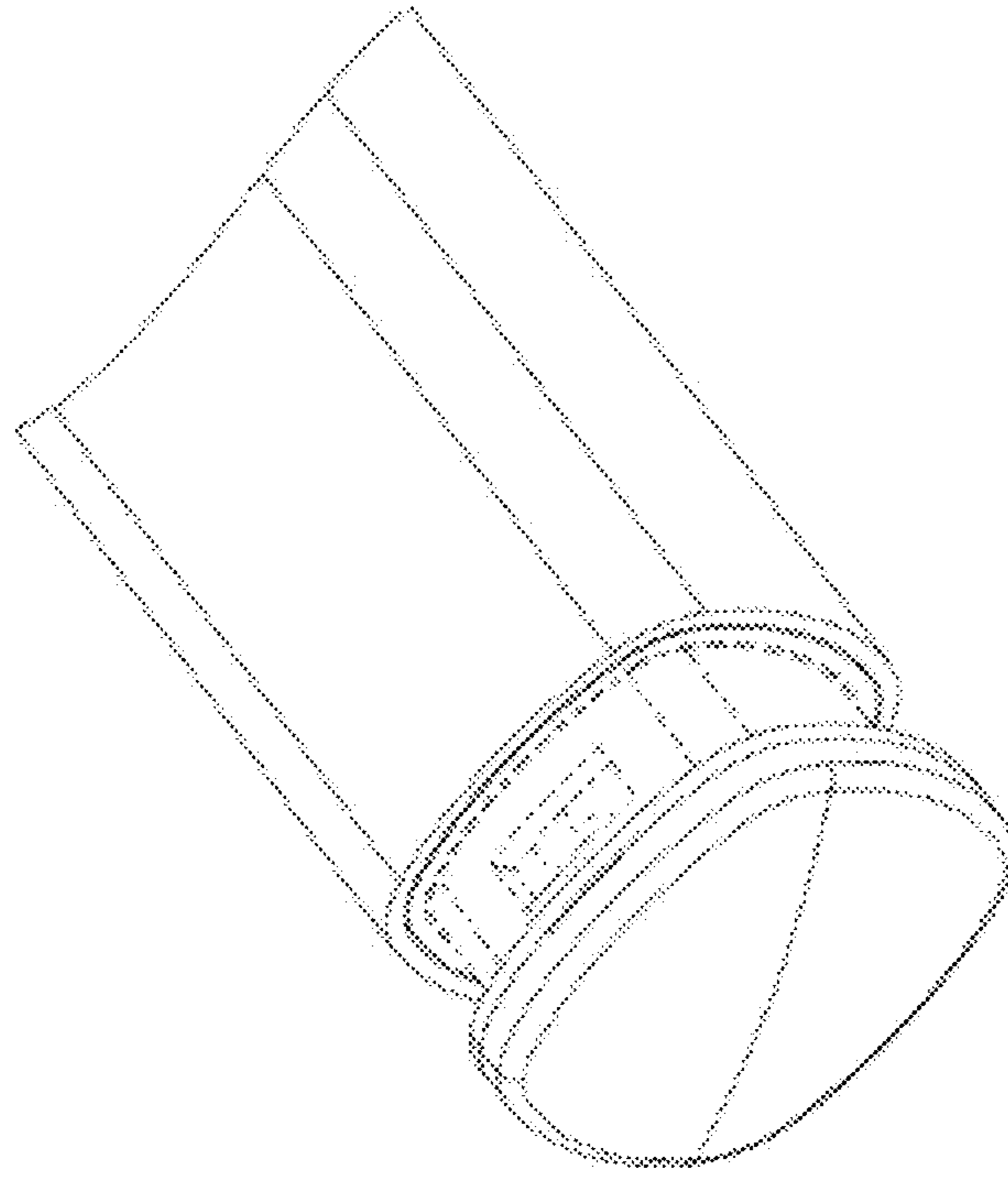


FIG. 20

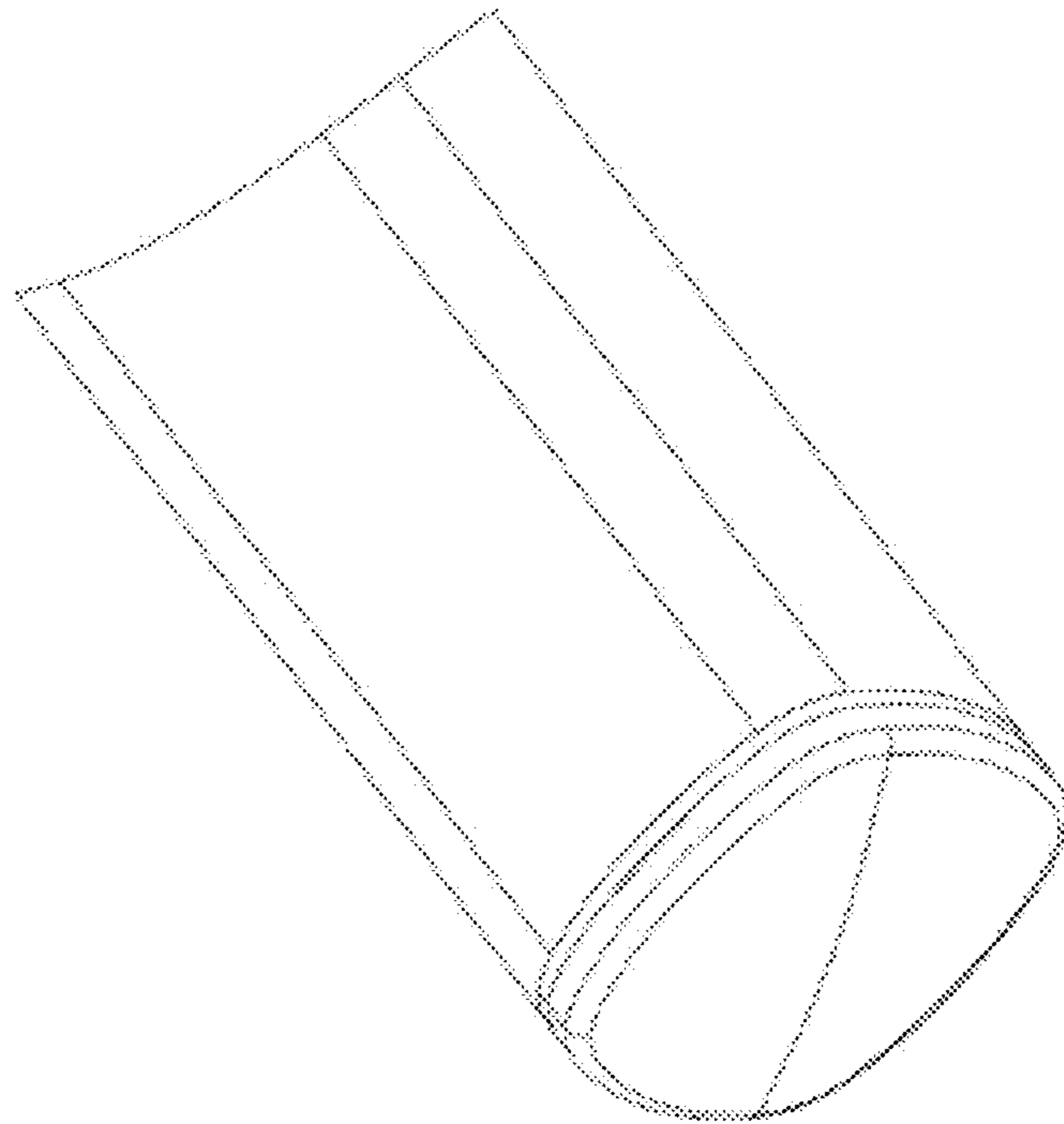


FIG. 19