



US00D776335S

(12) **United States Design Patent**
Fizer et al.

(10) **Patent No.:** **US D776,335 S**

(45) **Date of Patent:** **** Jan. 10, 2017**

- (54) **LIGHT MOUNTING BRACKET**
- (71) Applicant: **DELTA T CORPORATION**,
Lexington, KY (US)
- (72) Inventors: **Richard W. Fizer**, Lexington, KY
(US); **Huey Shane Hurley**, Richmond,
KY (US); **Thomas J. Massey**,
Lexington, KY (US)
- (73) Assignee: **DELTA T CORPORATION**,
Lexington, KY (US)
- (**) Term: **14 Years**
- (21) Appl. No.: **29/510,045**
- (22) Filed: **Nov. 24, 2014**
- (51) **LOC (10) Cl.** **26-99**
- (52) **U.S. Cl.**
USPC **D26/138**
- (58) **Field of Classification Search**
USPC D26/76, 78, 79, 80, 81, 82, 83, 85, 88,
D26/90, 118, 119, 120, 121, 122, 138,
D26/140-142
CPC F21S 4/00; F21S 4/003; F21S 4/006;
F21S 4/007; F21S 4/008; F21S
6/004; F21S 6/005; F21K 9/54; F21V
15/01; F21V 15/013
See application file for complete search history.

- D695,943 S * 12/2013 Duquette D26/76
- D707,379 S * 6/2014 Reinoso D26/63
- D707,874 S * 6/2014 Sieberth D26/76
- D737,493 S * 8/2015 Yasuji Fletcher D26/63
- 9,239,150 B2 * 1/2016 Sieberth F21V 15/01
- D751,442 S * 3/2016 Lv D10/114.4
- D761,470 S * 7/2016 Fizer D26/51

* cited by examiner

Primary Examiner — George Kirschbarn

Assistant Examiner — Natasha Vujcic

(74) *Attorney, Agent, or Firm* — King & Schickli, PLLC

(57) **CLAIM**

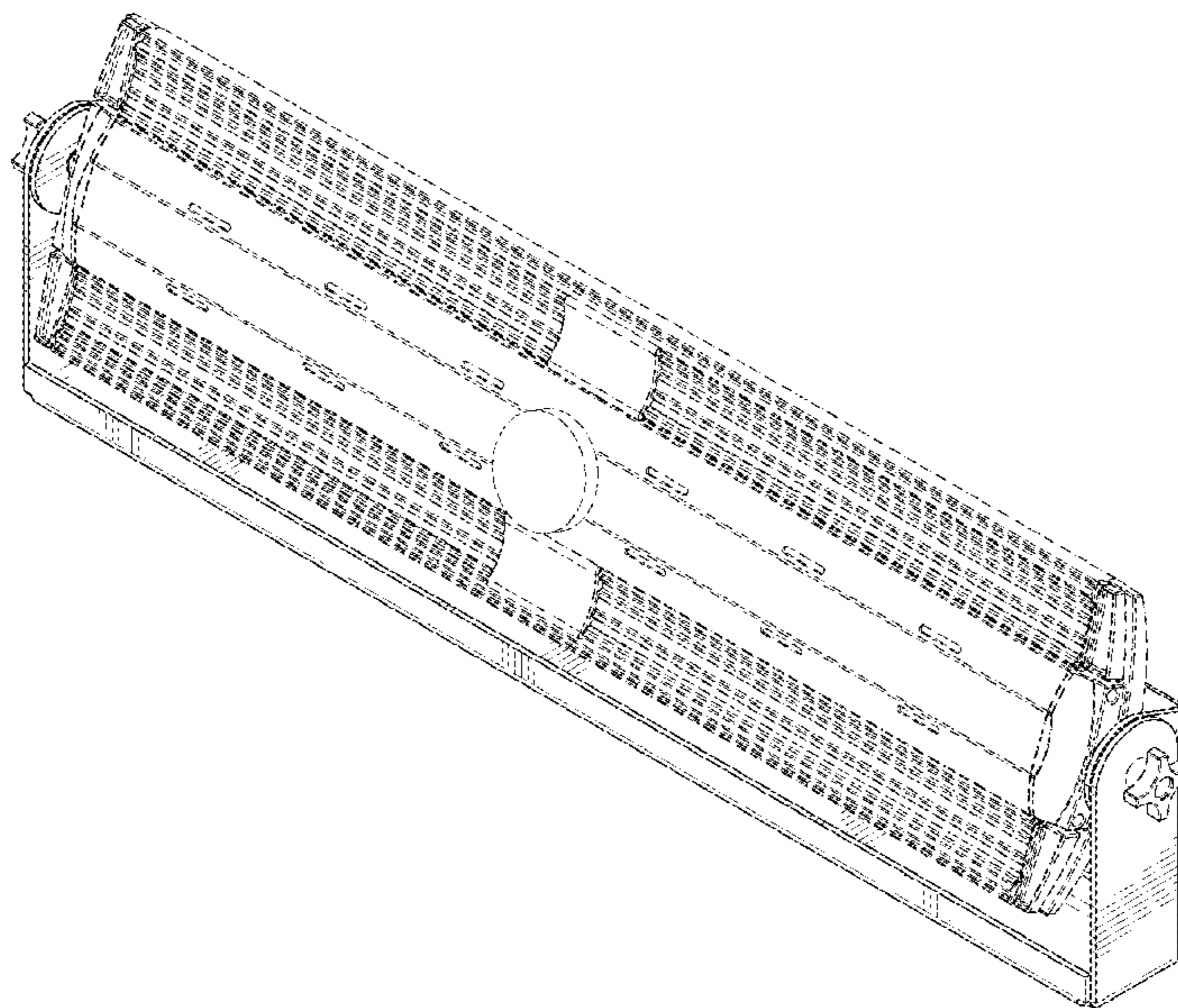
The ornamental design for a light mounting bracket, as shown.

DESCRIPTION

FIG. 1 is a top perspective view of the light mounting bracket;
 FIG. 2 is a bottom perspective view of the light mounting bracket;
 FIG. 3 is a front view of the light mounting bracket;
 FIG. 4 is a right side view of the light mounting bracket;
 FIG. 5 is a rear view of the light mounting bracket;
 FIG. 6 is a left side view of the light mounting bracket;
 FIG. 7 is a top view of the light mounting bracket;
 FIG. 8 is a bottom view of the light mounting bracket;
 FIG. 9 is a top view of the light mounting bracket without the light; and
 FIG. 10 is a partially cross-sectional top view taken along line 10-10 of FIG. 3; and,
 FIG. 11 is a top perspective view of the light mounting bracket, shown without the unclaimed environment.
 The broken lines in the drawings illustrate the environment of the light mounting bracket which forms no part of the claimed design.

1 Claim, 6 Drawing Sheets

- (56) **References Cited**
U.S. PATENT DOCUMENTS
5,727,869 A * 3/1998 Crosby F21S 8/031
362/217.08
D543,305 S * 5/2007 Wang D26/75
D607,145 S * 12/2009 Yu D26/140
D625,870 S * 10/2010 Feigenbaum D26/63



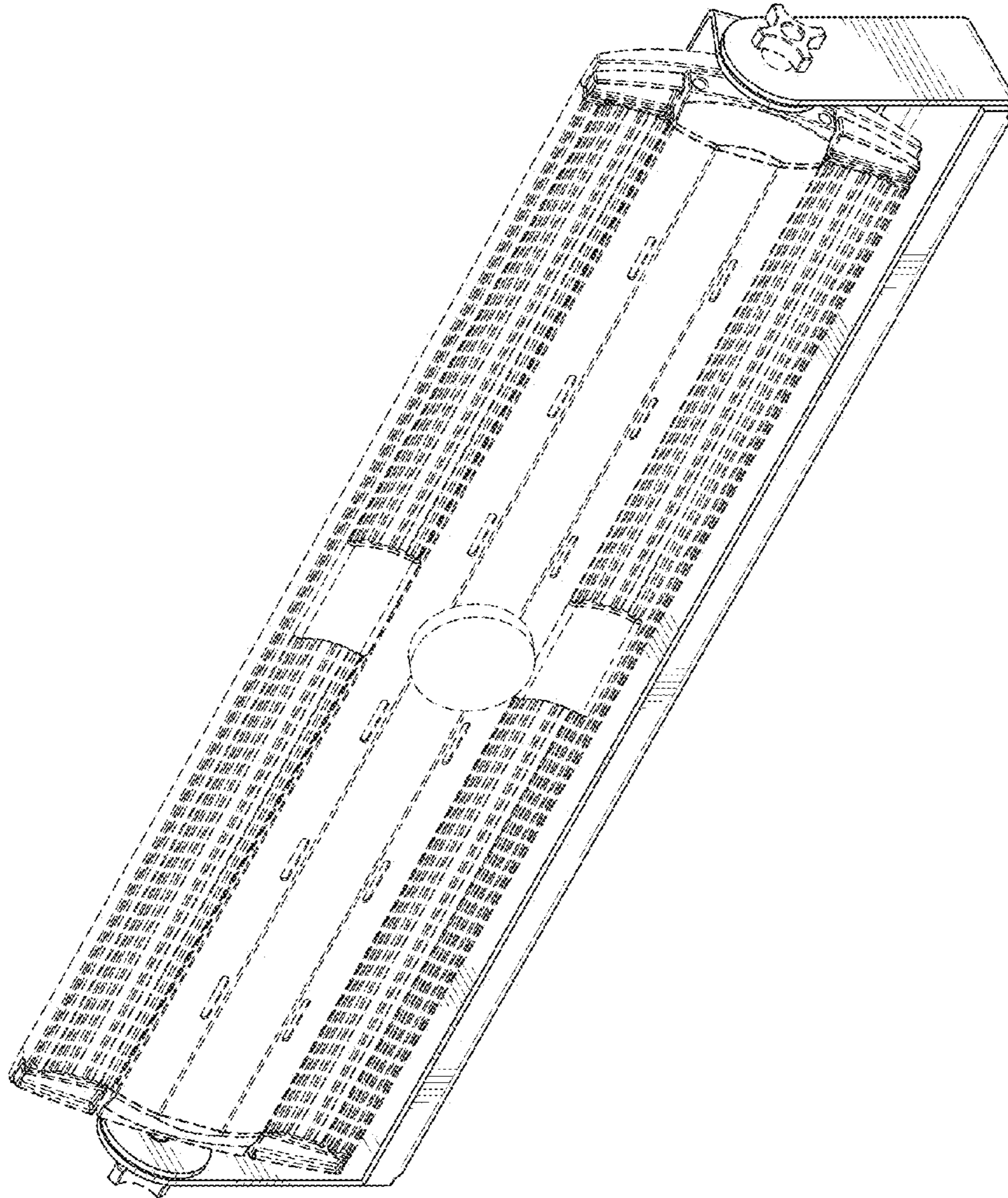


FIG. 1

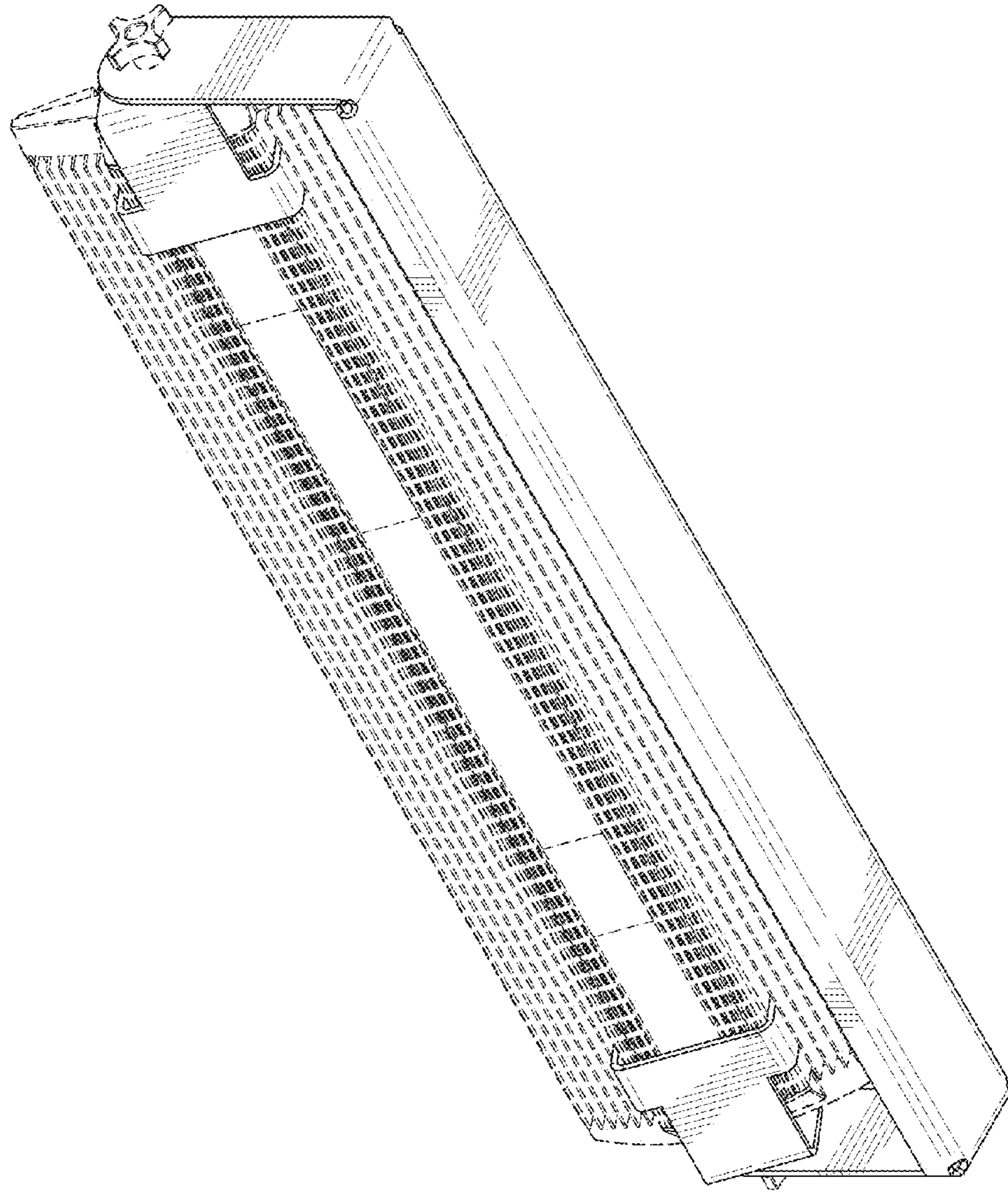


FIG. 2

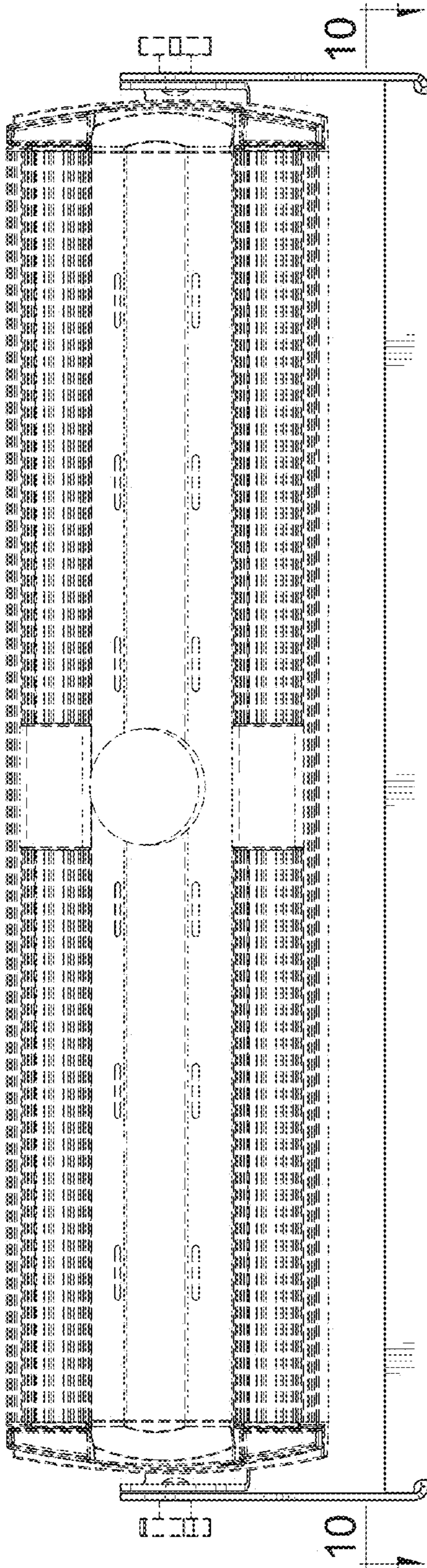


FIG. 3

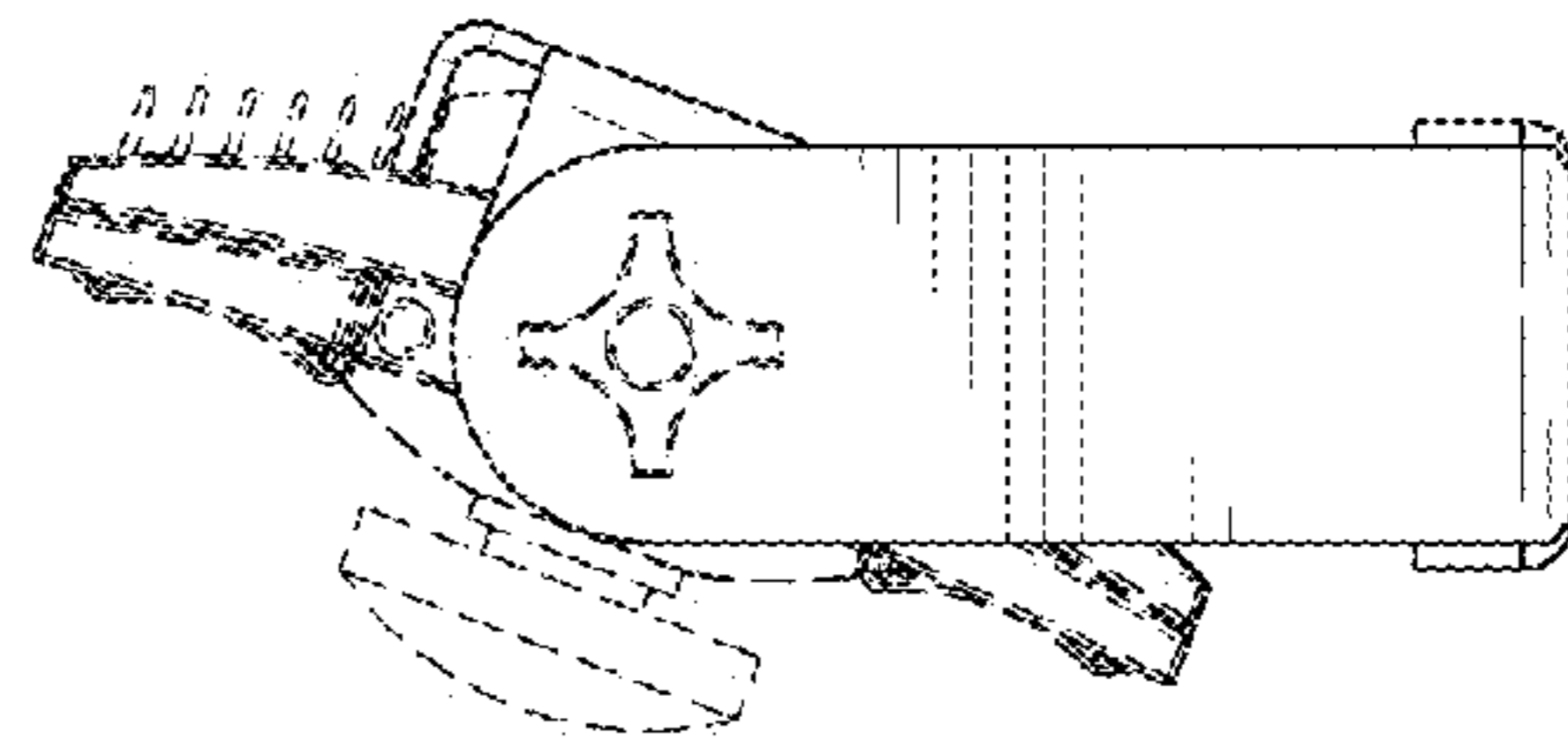


FIG. 4

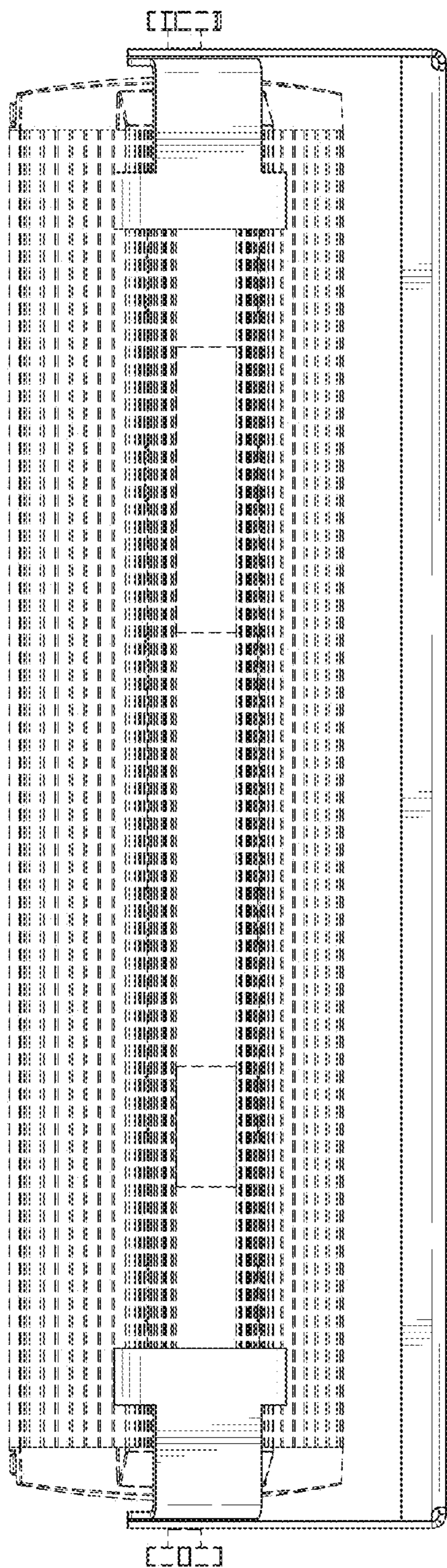


FIG. 5

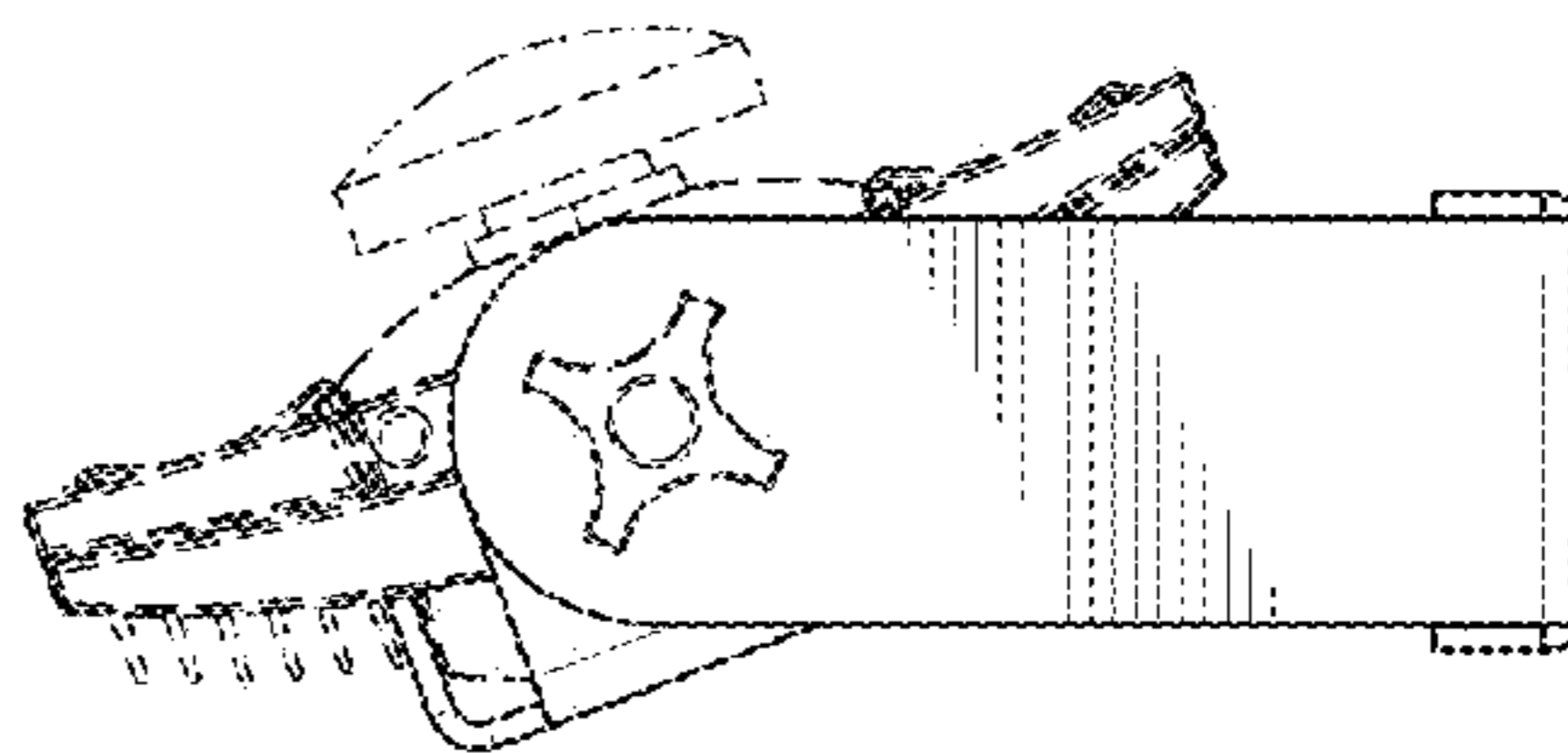


FIG. 6

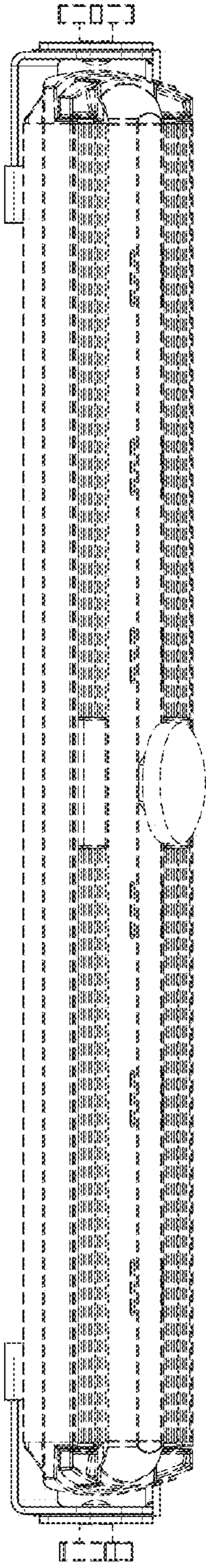


FIG. 7

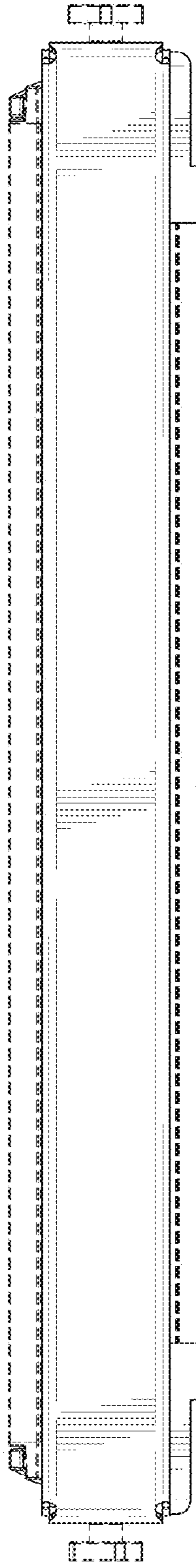


FIG. 8

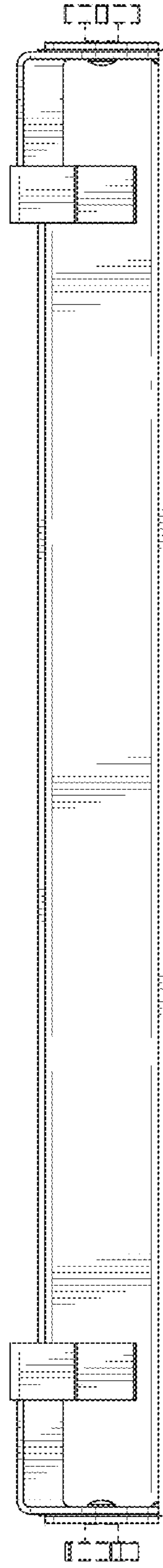


FIG. 9

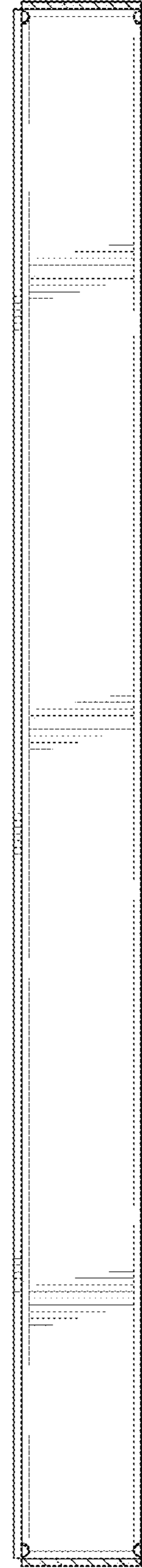


FIG. 10

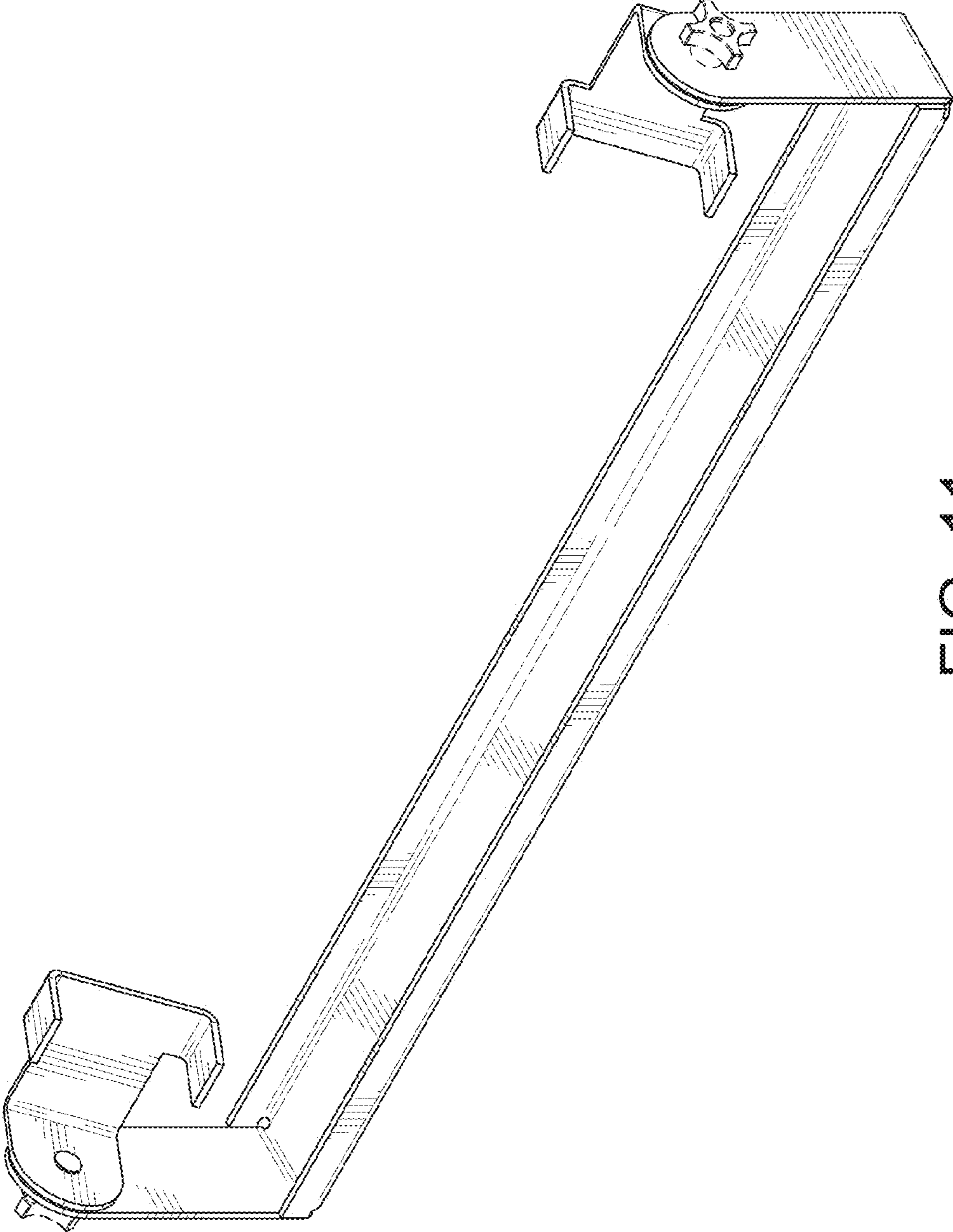


FIG. 11