



US00D776334S

(12) **United States Design Patent**
Vasylyev

(10) **Patent No.:** **US D776,334 S**
(45) **Date of Patent:** **** Jan. 10, 2017**

(54) **EDGE-LIT LIGHT GUIDE**

(71) Applicant: **Sergiy Vasylyev**, Elk Grove, CA (US)

(72) Inventor: **Sergiy Vasylyev**, Elk Grove, CA (US)

(73) Assignee: **SVV TECHNOLOGY INNOVATIONS, INC.**, Sacramento, CA (US)

(**) Term: **15 Years**

(21) Appl. No.: **29/538,952**

(22) Filed: **Sep. 9, 2015**

Related U.S. Application Data

(63) Continuation-in-part of application No. 29/538,679, filed on Sep. 5, 2015, and a continuation-in-part of application No. 13/766,698, filed on Feb. 13, 2013.

(51) **LOC (10) Cl.** **26-99**

(52) **U.S. Cl.**
USPC **D26/122**

(58) **Field of Classification Search**
USPC D26/1, 24, 113, 120, 122; D13/180;
D10/93, 114; D25/138

(Continued)

(56) **References Cited**

U.S. PATENT DOCUMENTS

D227,610 S * 7/1973 Nagel D10/111
D334,992 S * 4/1993 Sacco D26/122

(Continued)

Primary Examiner — Brian N Vinson

(57) **CLAIM**

The ornamental design for an edge-lit light guide, as shown and described.

DESCRIPTION

A portion of the material in this patent document is subject to copyright protection under the copyright laws of the

United States and of other countries. The owner of the copyright rights has no objection to the facsimile reproduction by anyone of the patent document or the patent disclosure, as it appears in the United States Patent and Trademark Office publicly available file or records, but otherwise reserves all copyright rights whatsoever. The copyright owner does not hereby waive any of its rights to have this patent document maintained in secrecy, including without limitation its rights pursuant to 37 C.F.R. § 1.14.

FIG. 1 is a front, top and right side perspective view of a first embodiment of an edge-lit light guide showing my new design, wherein bounds for the light guide of the perspective view are shown in broken lines which are for illustrative purposes to indicate indeterminate length and width of the light guide only and form no part of the claimed design;

FIG. 2 is a top view thereof;

FIG. 3 is a bottom view thereof;

FIG. 4 is a front view thereof;

FIG. 5 is a rear view thereof;

FIG. 6 is a right side view thereof, the left side view being a mirror image;

FIG. 7 is a front, top and right side perspective view of a second embodiment of my new design, wherein bounds for the light guide of the perspective view are shown in broken lines which are for illustrative purposes to indicate indeterminate length and width of the light guide only and form no part of the claimed design;

FIG. 8 is a top view of the second embodiment of FIG. 7; FIG. 9 is a bottom view of the second embodiment of FIG. 7;

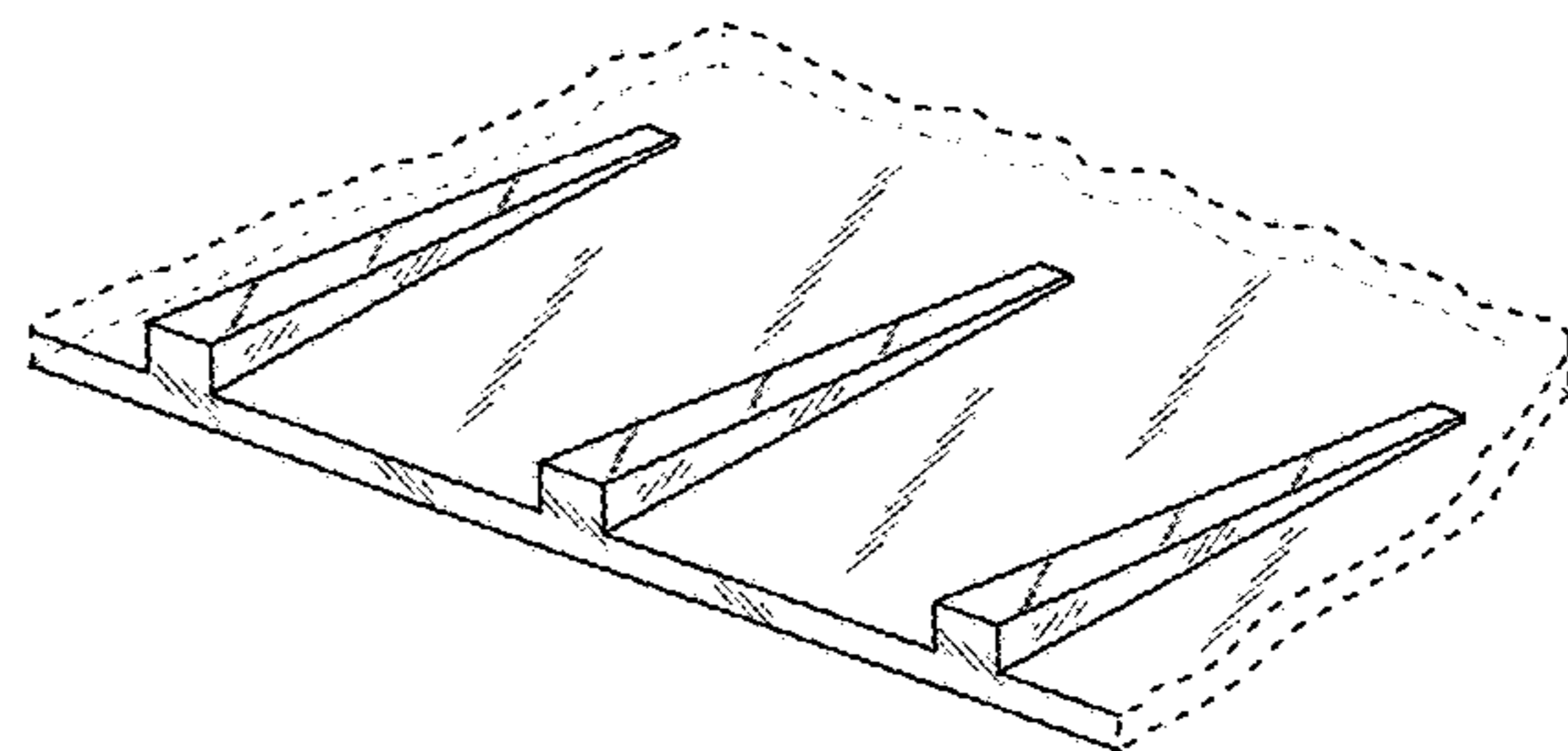
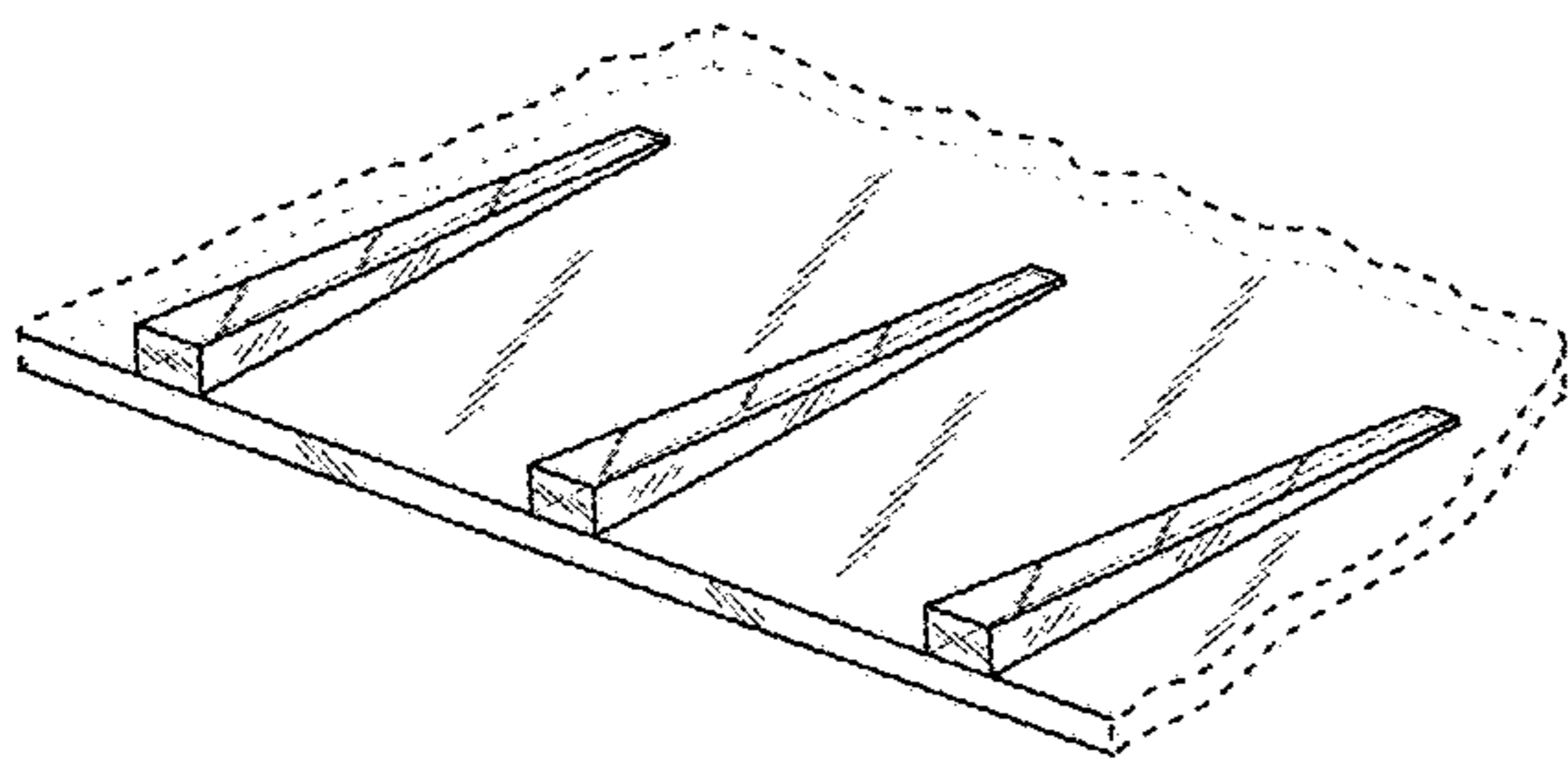
FIG. 10 is a front view of the alternative embodiment of FIG. 7;

FIG. 11 is a rear view of the alternative embodiment of FIG. 7; and,

FIG. 12 is a right side view of the alternative embodiment of FIG. 7, the left side view being a mirror image.

The broken lines represent the bounds of the claim and form no part of the claimed design.

1 Claim, 8 Drawing Sheets



(58) **Field of Classification Search**

CPC B60Q 1/04; B60Q 1/26; F21S 8/026;
F21S 8/04; F21V 29/004; F21V
21/02; F21V 21/04; F21V 29/2212; F21Y
2101/02

See application file for complete search history.

(56) **References Cited**

U.S. PATENT DOCUMENTS

D493,251 S	7/2004	Yu et al.	
D494,704 S *	8/2004	Yu	D26/122
D515,715 S *	2/2006	Egawa	D26/1
D579,586 S *	10/2008	Mattingly	D25/138
D581,090 S *	11/2008	Colleran, Jr.	D26/122
D582,590 S *	12/2008	Ding	D26/37
D654,210 S	2/2012	Bushre	
D679,444 S	4/2013	Vasylyev	
D693,045 S	11/2013	Kirschhoffer et al.	
D706,967 S	6/2014	Lai	
D719,284 S	12/2014	Mizushiro et al.	
D721,200 S *	1/2015	Kim	D26/122
D735,929 S	8/2015	Huang et al.	
D743,089 S *	11/2015	Sugihara	D26/113

* cited by examiner

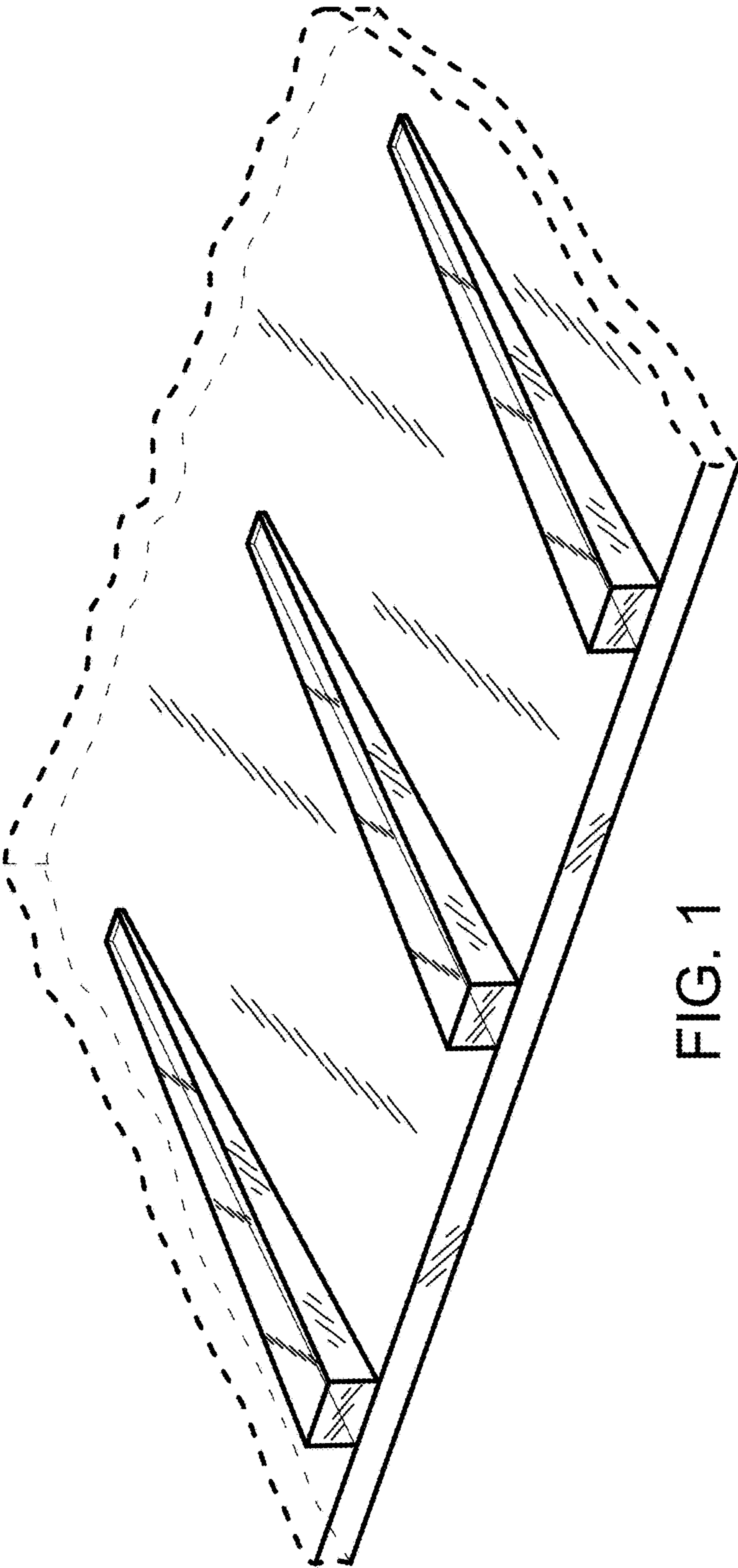


FIG. 1

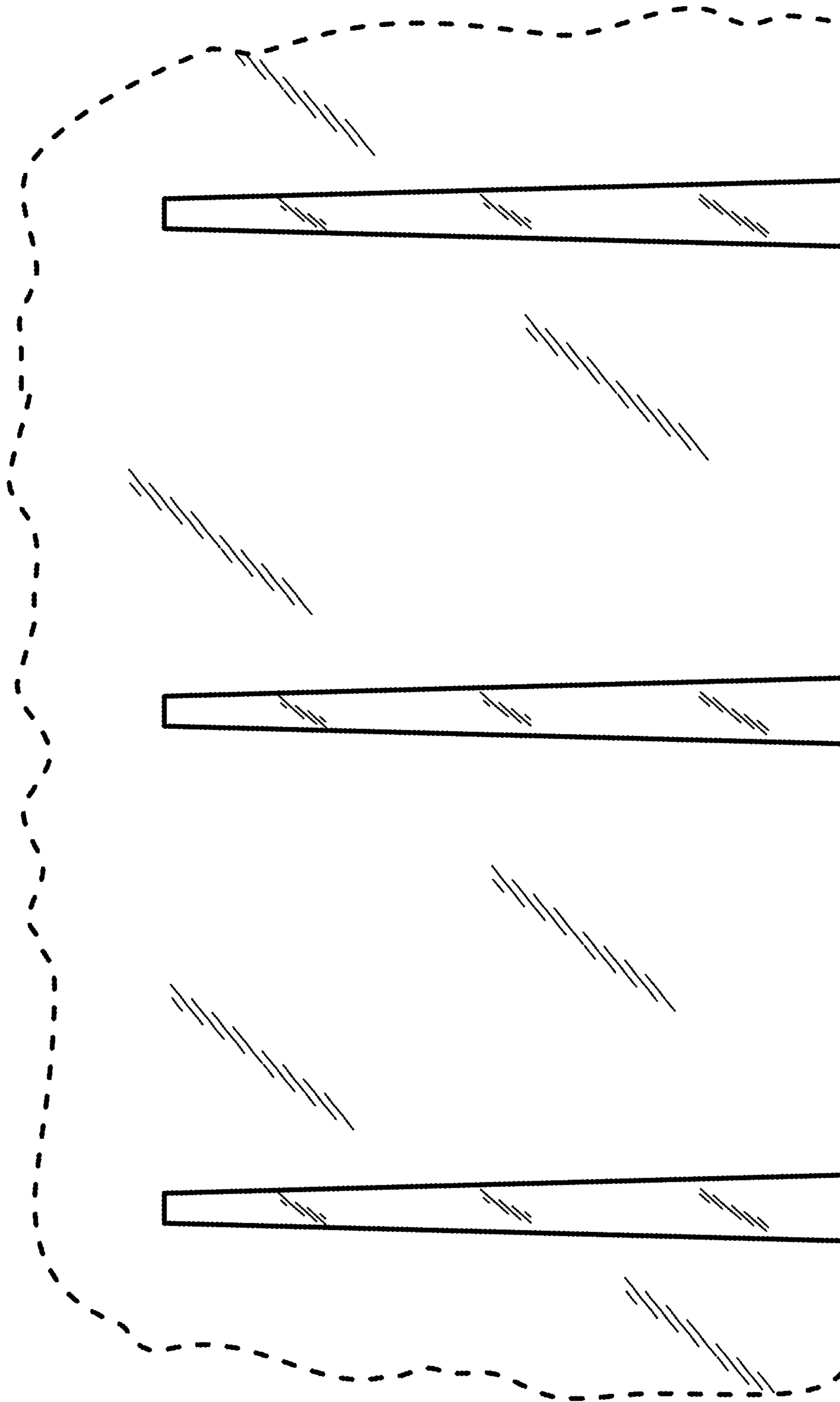


FIG. 2

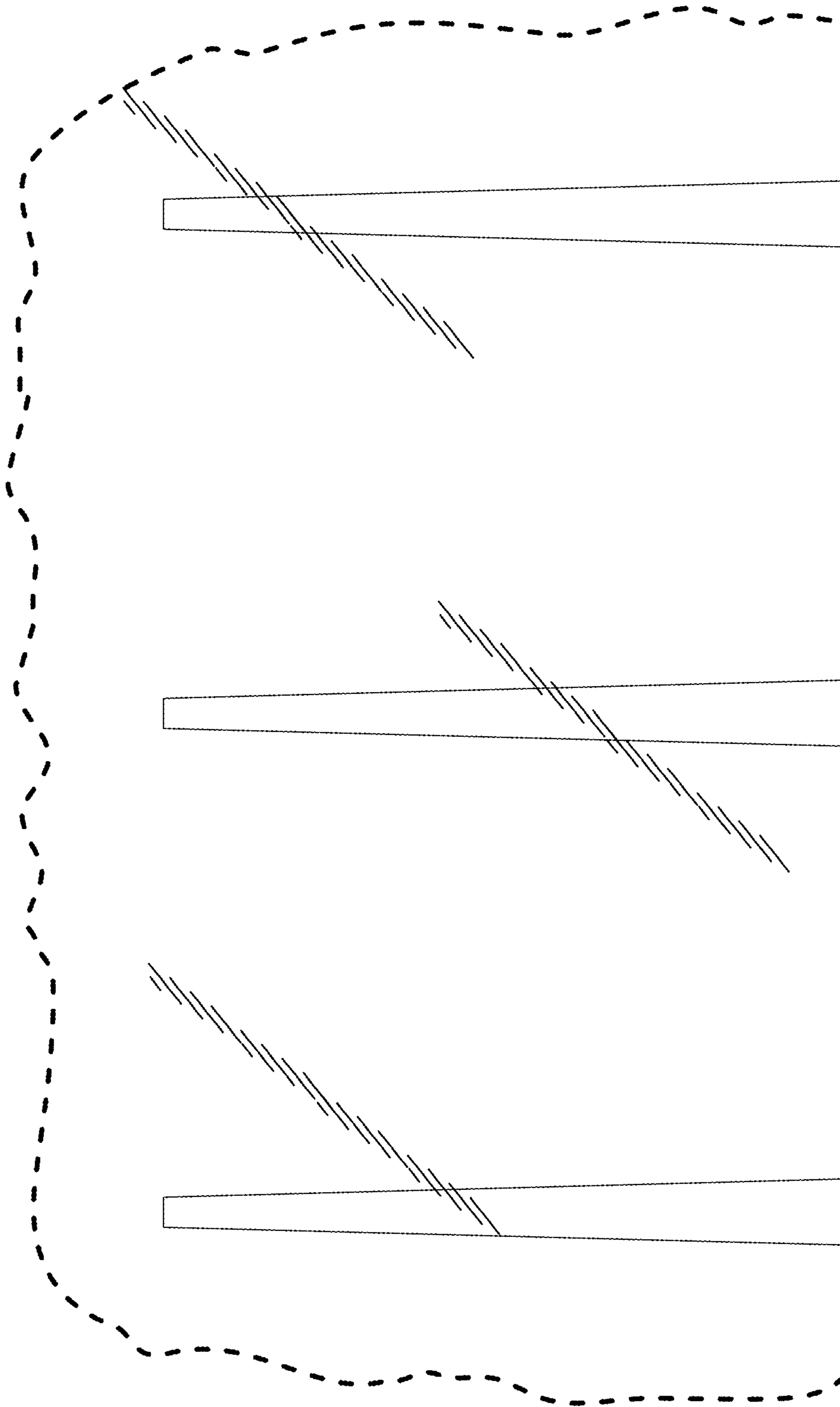


FIG. 3

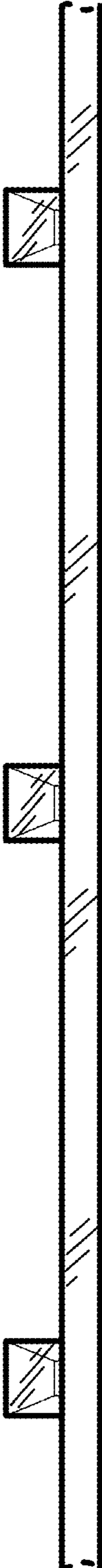


FIG. 4



FIG. 5



FIG. 6

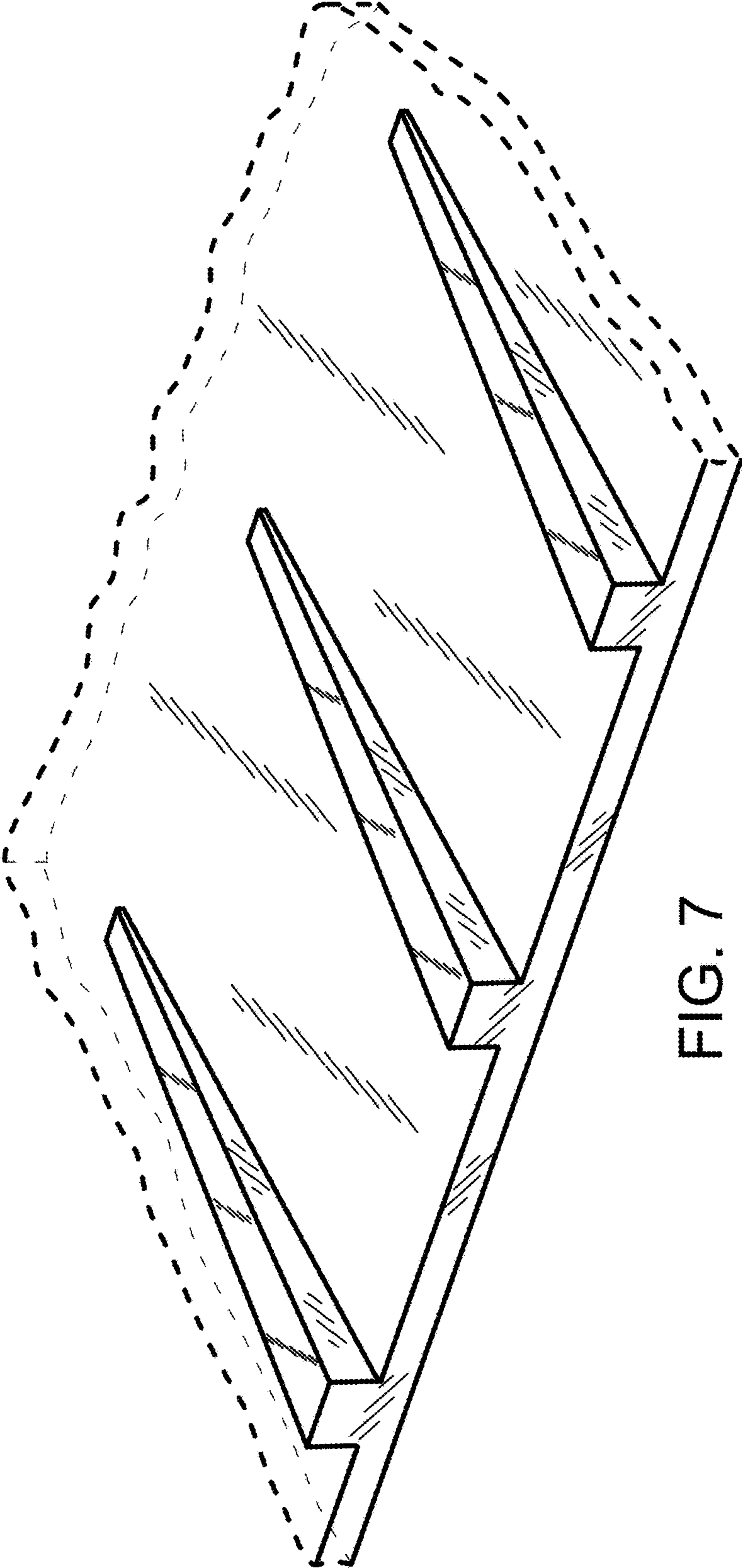


FIG. 7

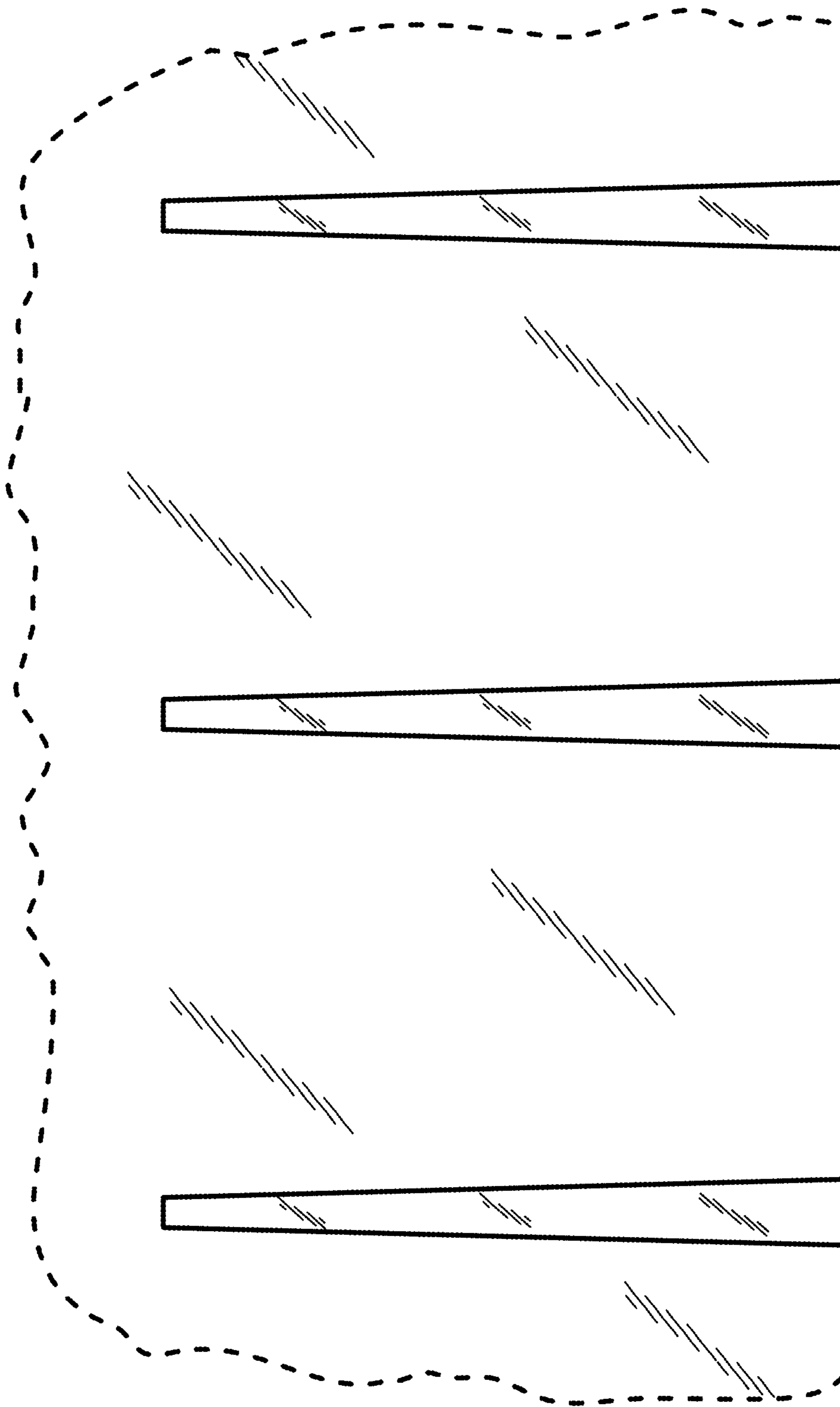


FIG. 8

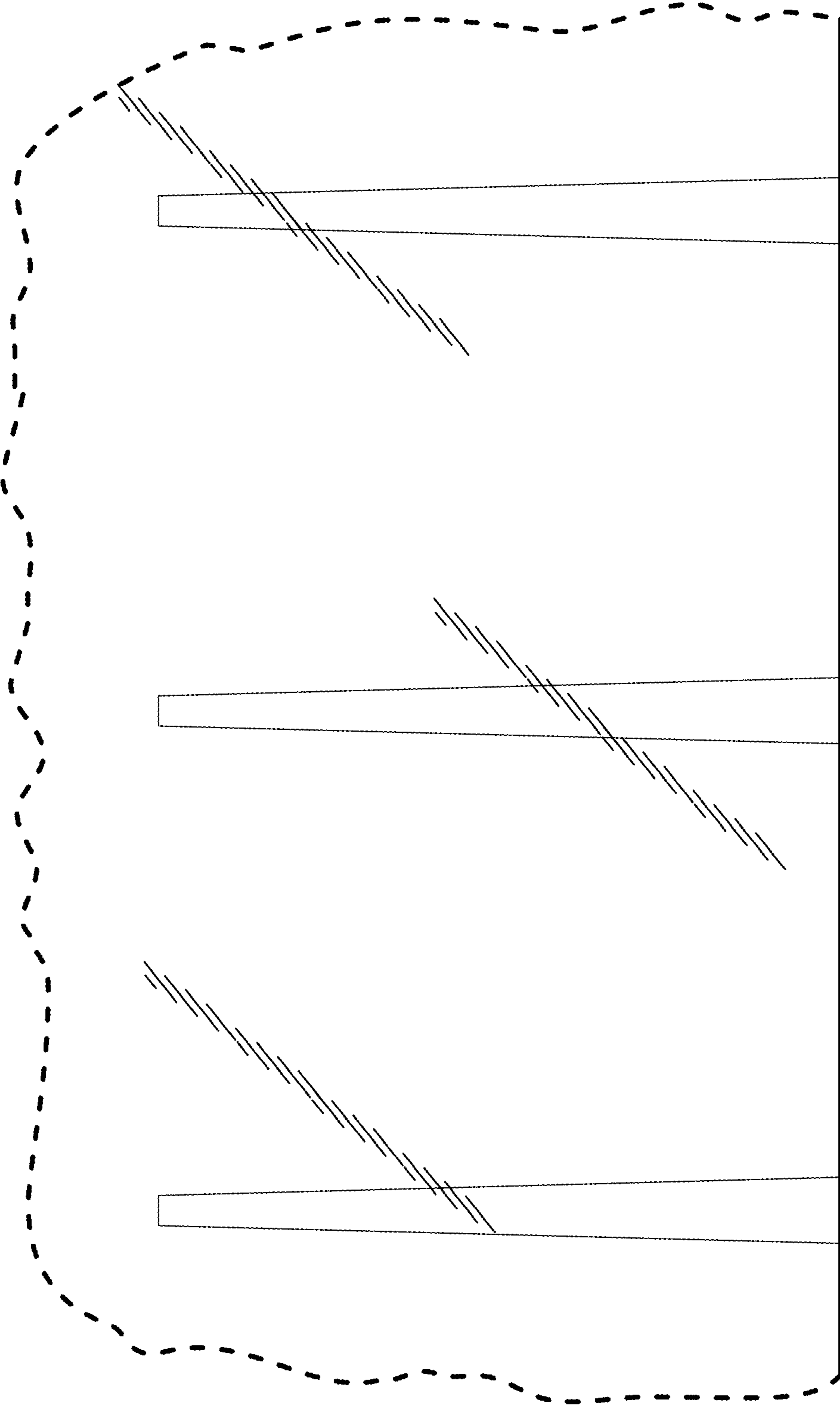


FIG. 9



FIG. 10



FIG. 11



FIG. 12