

US00D776333S

(12) **United States Design Patent** (10) **Patent No.:** **US D776,333 S**
Vasylyev (45) **Date of Patent:** **** Jan. 10, 2017**

(54) **LIGHT GUIDE**

(71) Applicant: **Sergiy Vasylyev**, Elk Grove, CA (US)

(72) Inventor: **Sergiy Vasylyev**, Elk Grove, CA (US)

(73) Assignee: **SVV TECHNOLOGY INNOVATIONS, INC.**, Sacramento, CA (US)

(**) Term: **15 Years**

(21) Appl. No.: **29/538,679**

(22) Filed: **Sep. 5, 2015**

Related U.S. Application Data

(63) Continuation-in-part of application No. 13/766,698, filed on Feb. 13, 2013.

(51) **LOC (10) Cl.** **26-99**

(52) **U.S. Cl.**
USPC **D26/122**

(58) **Field of Classification Search**
USPC D26/1, 24, 113, 120, 122; D13/180;
D10/93, 114; D25/138
CPC B60Q 1/04; B60Q 1/26; F21S 8/026;
F21S 8/04; F21V 29/004; F21V
21/02; F21V 21/04; F21V 29/2212; F21Y
2101/02
See application file for complete search history.

(56) **References Cited**

U.S. PATENT DOCUMENTS

- D227,610 S * 7/1973 Nagel D10/111
- D334,992 S * 4/1993 Sacco D26/122
- D493,251 S * 7/2004 Yu et al.
- D494,704 S * 8/2004 Yu D26/122
- D515,715 S * 2/2006 Egawa D26/1
- D579,586 S * 10/2008 Mattingly D25/138

- D581,090 S * 11/2008 Colleran, Jr. D26/122
- D582,590 S * 12/2008 Ding D26/37
- D654,210 S 2/2012 Bushre

(Continued)

Primary Examiner — Brian N Vinson

(57) **CLAIM**

The ornamental design for a light guide, as shown and described.

DESCRIPTION

A portion of the material in this patent document is subject to copyright protection under the copyright laws of the United States and of other countries. The owner of the copyright rights has no objection to the facsimile reproduction by anyone of the patent document or the patent disclosure, as it appears in the United States Patent and Trademark Office publicly available file or records, but otherwise reserves all copyright rights whatsoever. The copyright owner does not hereby waive any of its rights to have this patent document maintained in secrecy, including without limitation its rights pursuant to 37 C.F.R. § 1.14.

FIG. 1 is a front, top and right side perspective view of a first embodiment of an edge-lit light guide showing my new design;

FIG. 2 is a top view thereof;

FIG. 3 is a front view thereof;

FIG. 4 is a rear view thereof;

FIG. 5 is a right side view thereof, the left side being a mirror image thereof;

FIG. 6 is a front, top and right side perspective view of a second embodiment thereof;

FIG. 7 is a top view thereof;

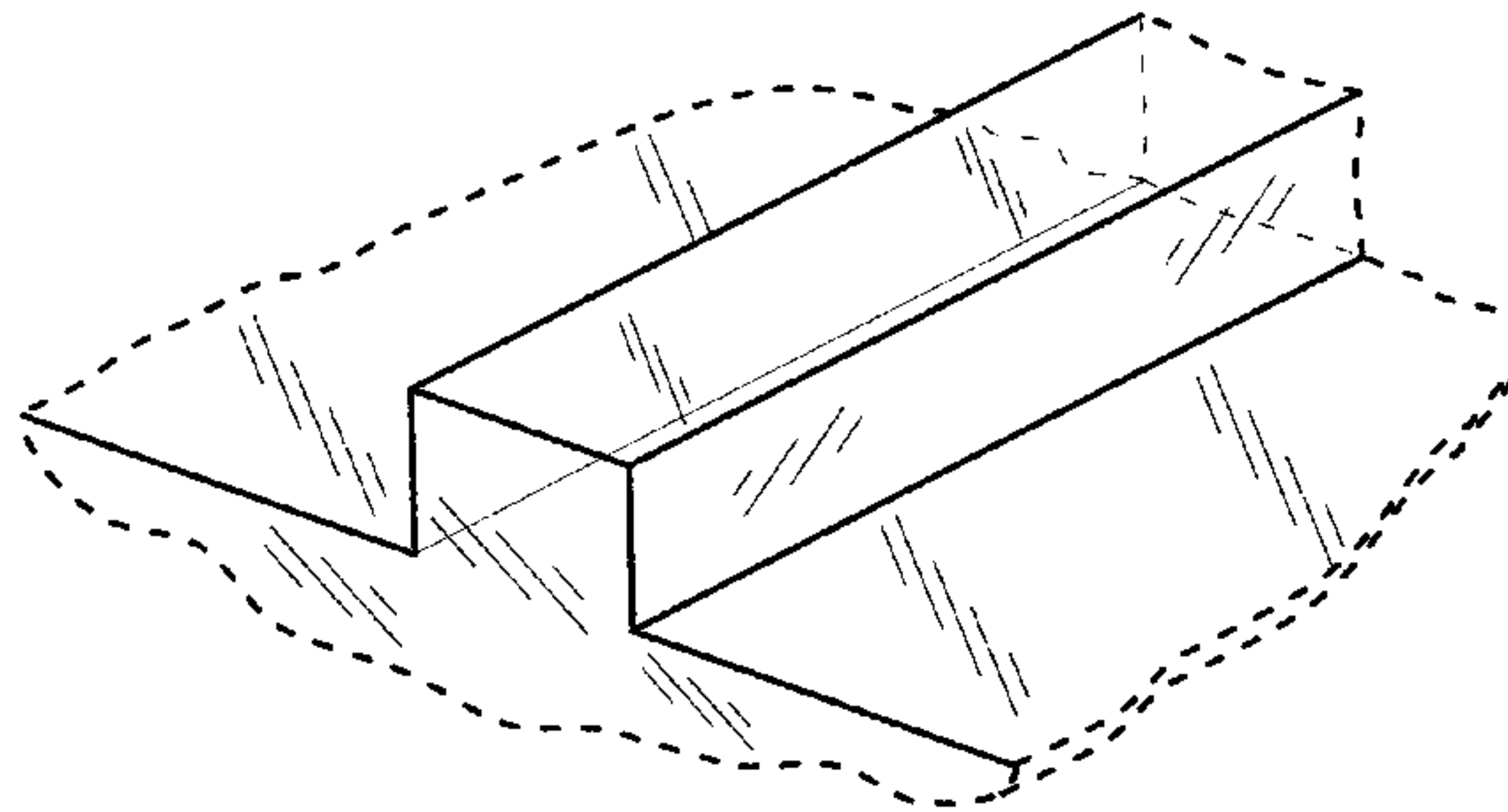
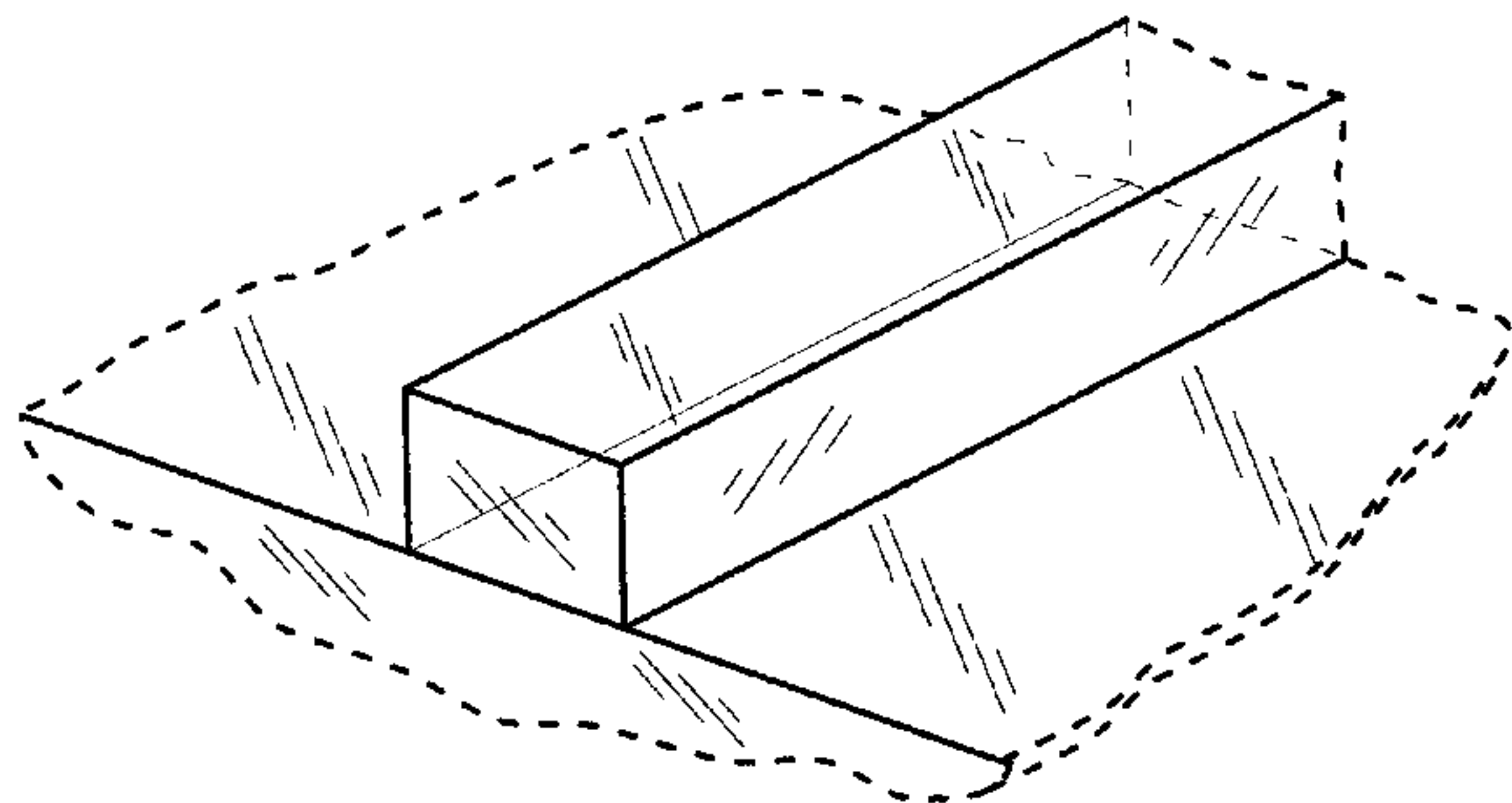
FIG. 8 is a front view thereof;

FIG. 9 is a rear view thereof; and,

FIG. 10 is a right side view thereof, the left side being a mirror image thereof.

The broken lines represent the bounds of the claim, but form no part of the claimed design.

1 Claim, 4 Drawing Sheets



(56)

References Cited

U.S. PATENT DOCUMENTS

D679,444 S	4/2013	Vasylyev	
D693,045 S	11/2013	Kirschhoffer et al.	
D706,967 S	6/2014	Lai	
D719,284 S	12/2014	Mizushiro et al.	
D721,200 S *	1/2015	Kim	D26/122
D735,929 S	8/2015	Huang et al.	
D743,089 S *	11/2015	Sugihara	D26/113

* cited by examiner

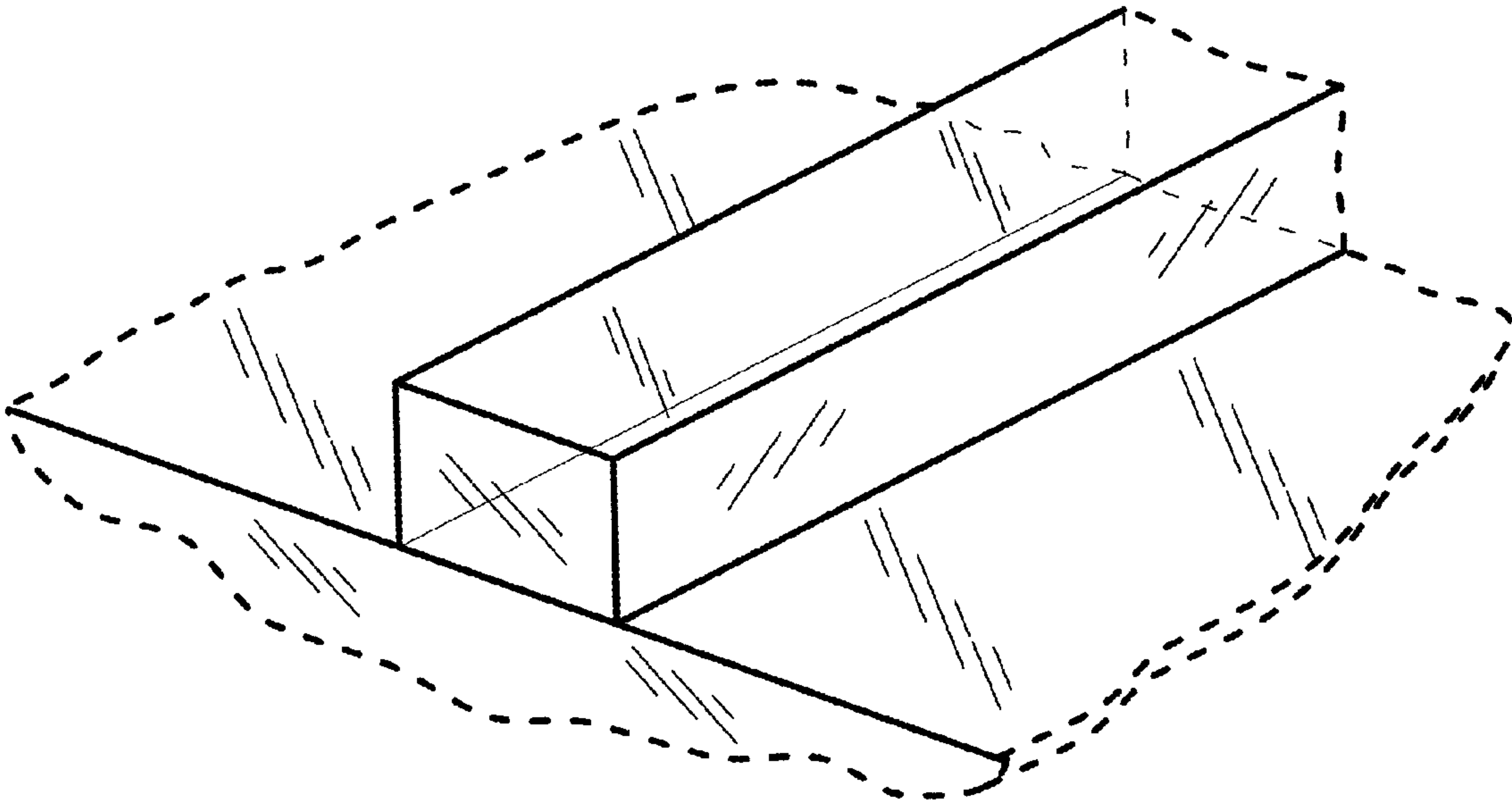


FIG. 1

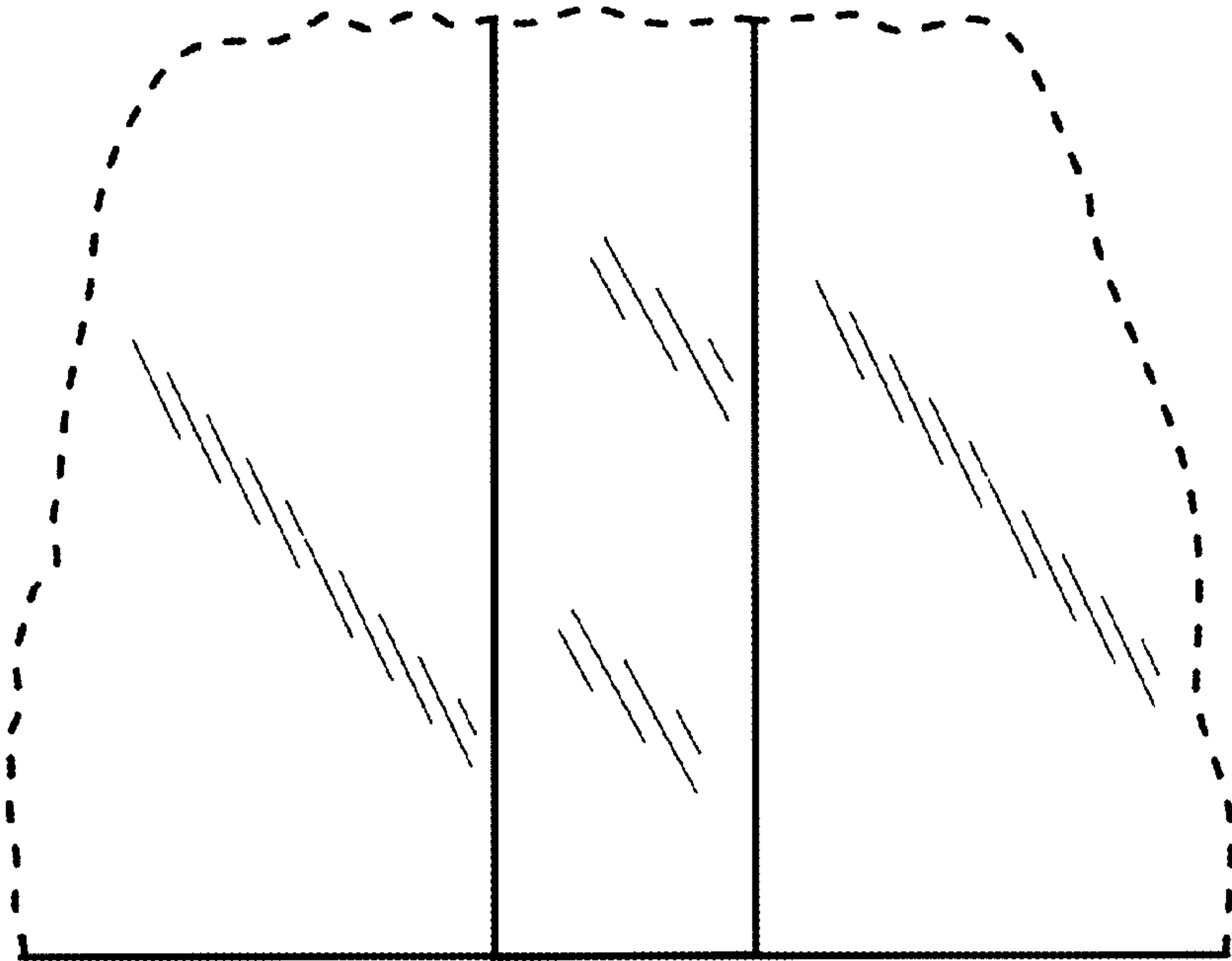


FIG. 2

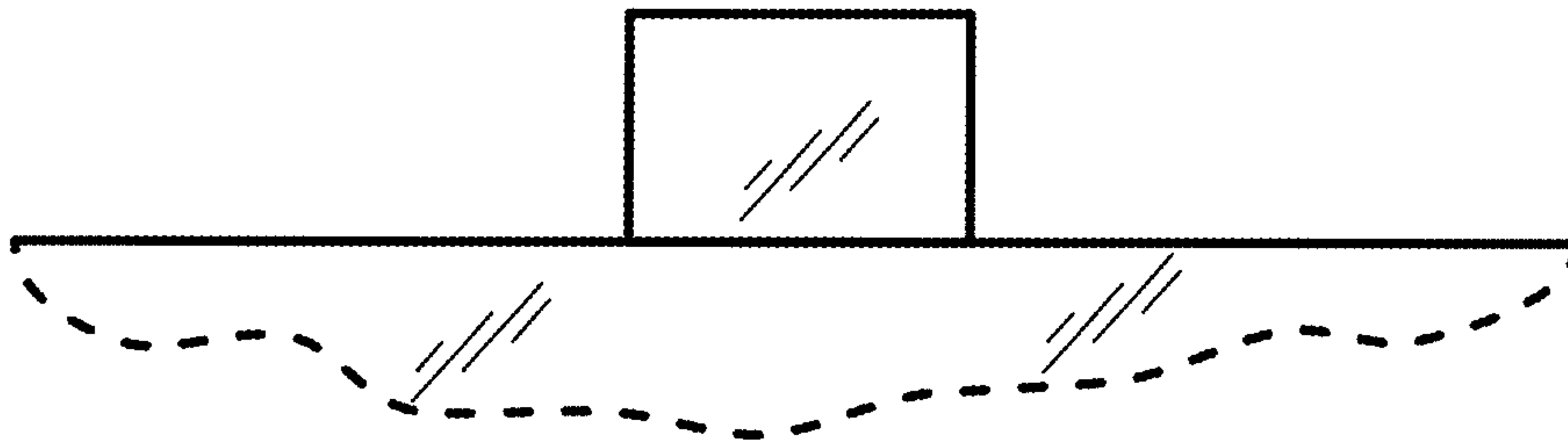


FIG. 3

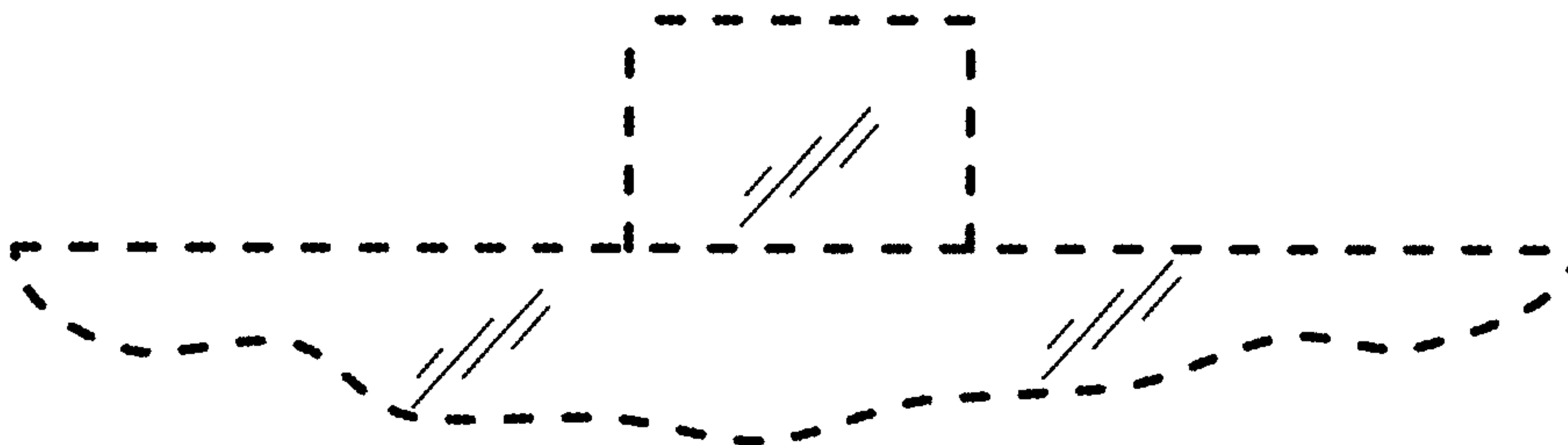


FIG. 4

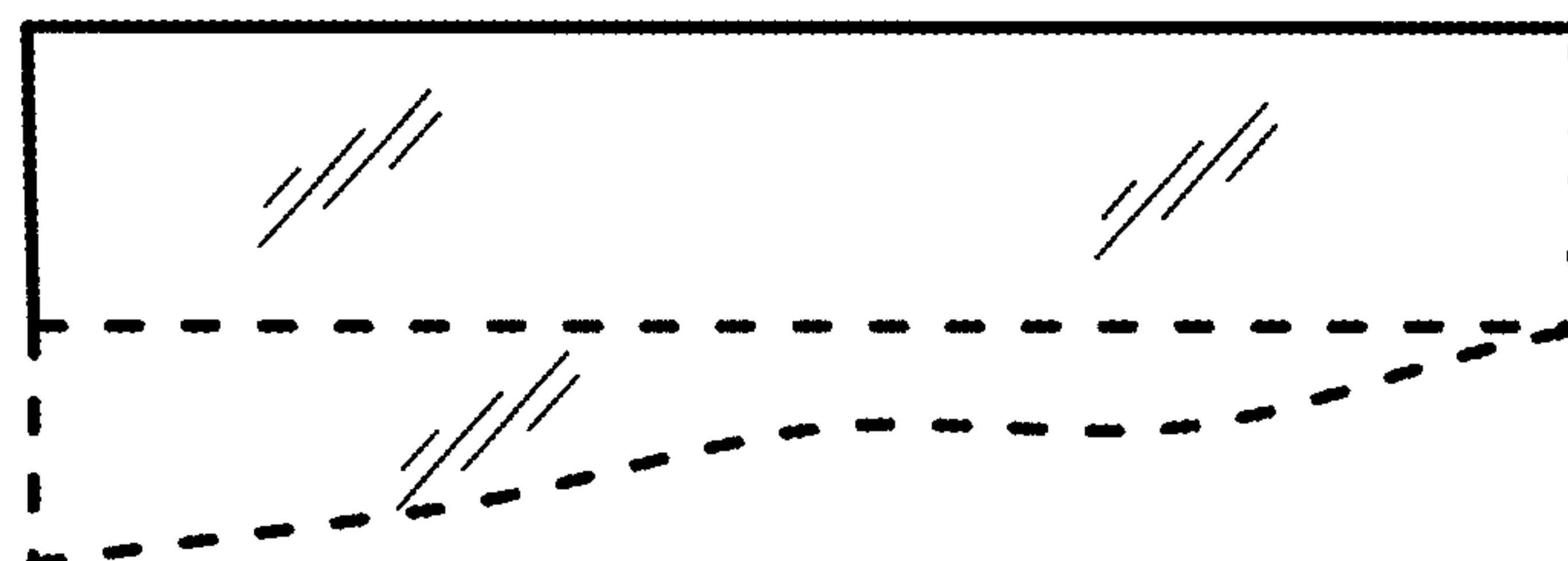


FIG. 5

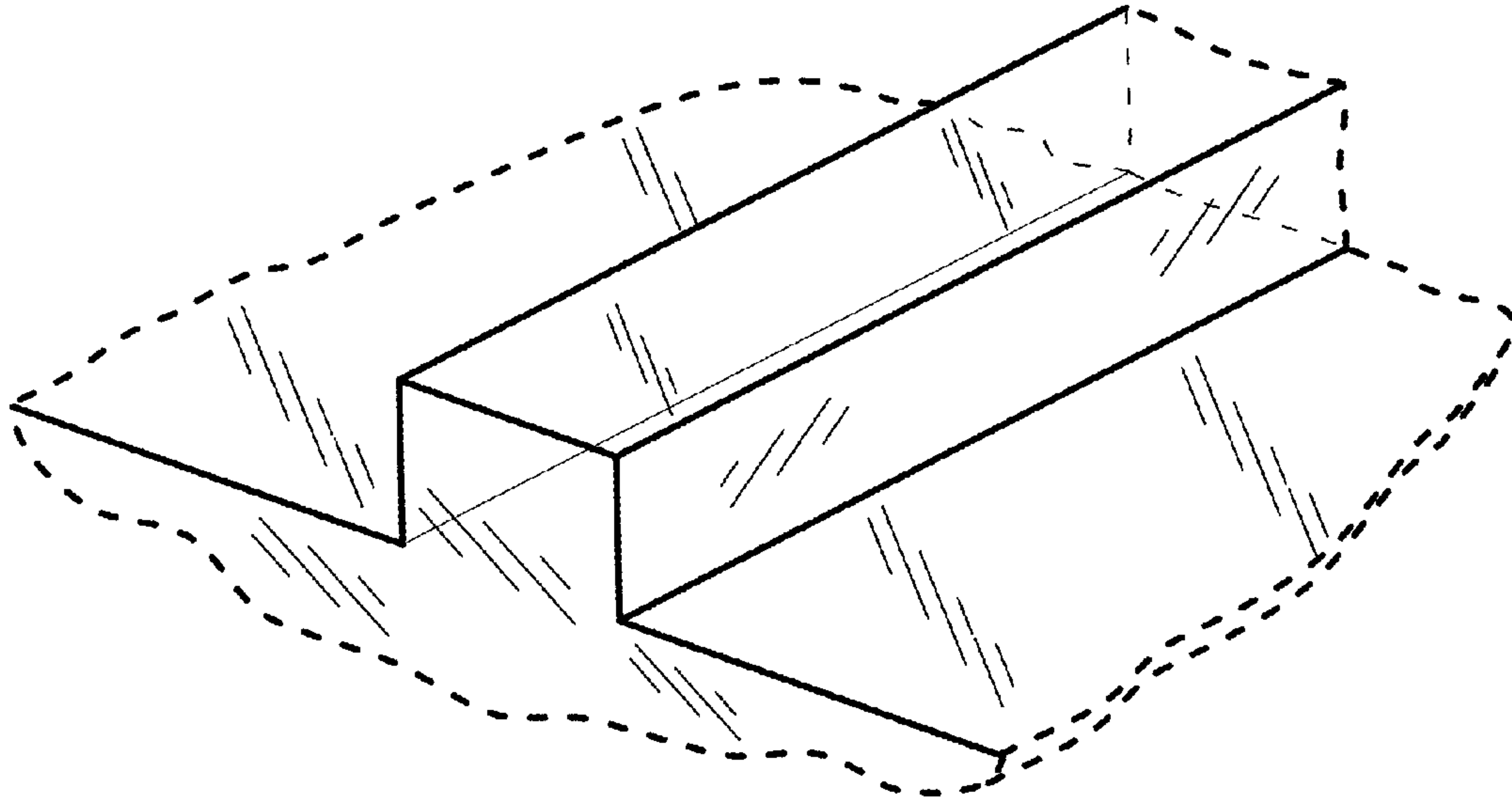


FIG. 6

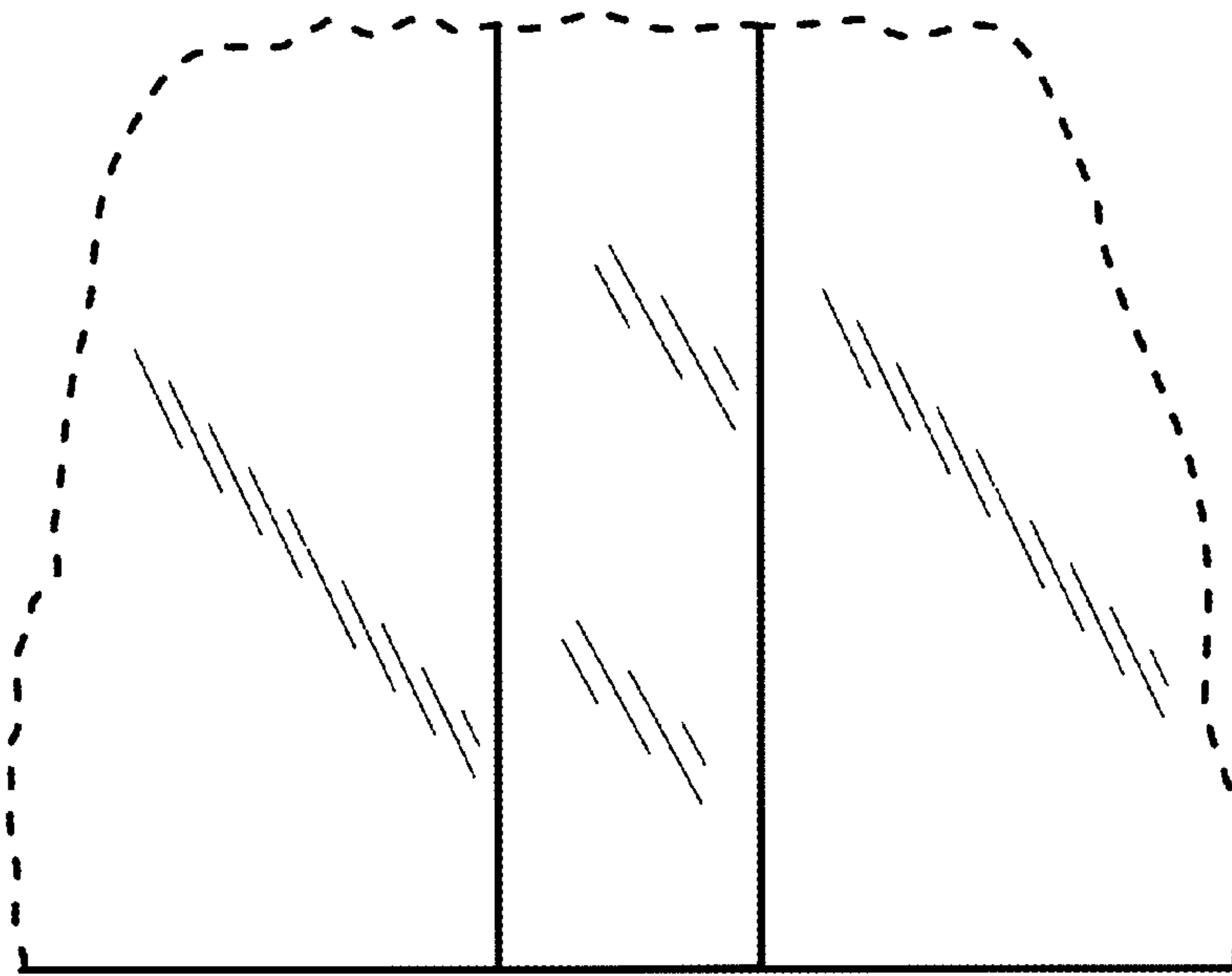


FIG. 7

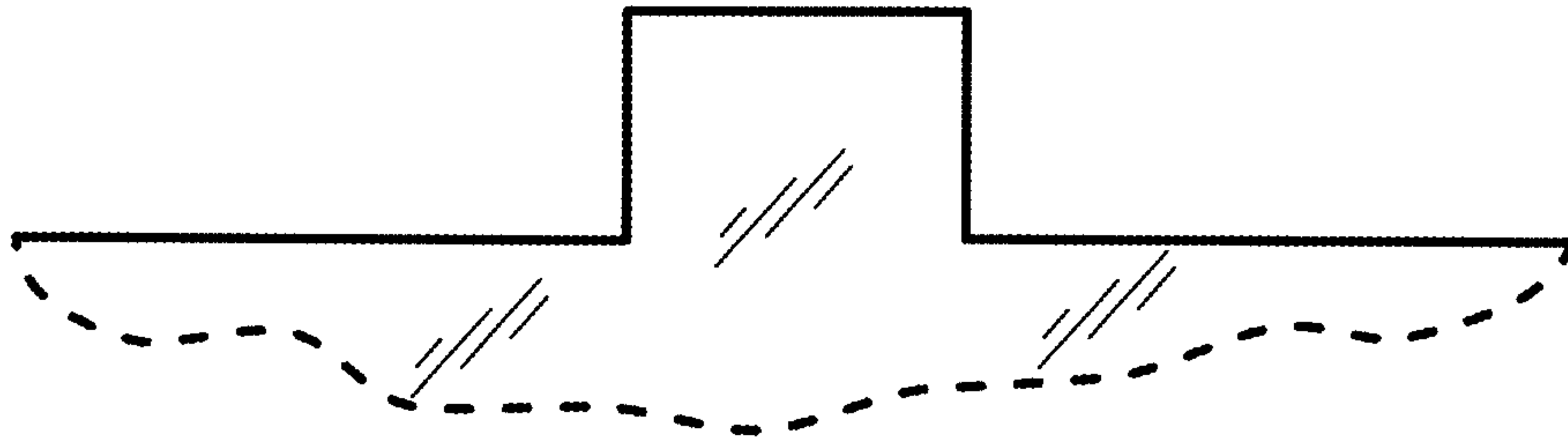


FIG. 8

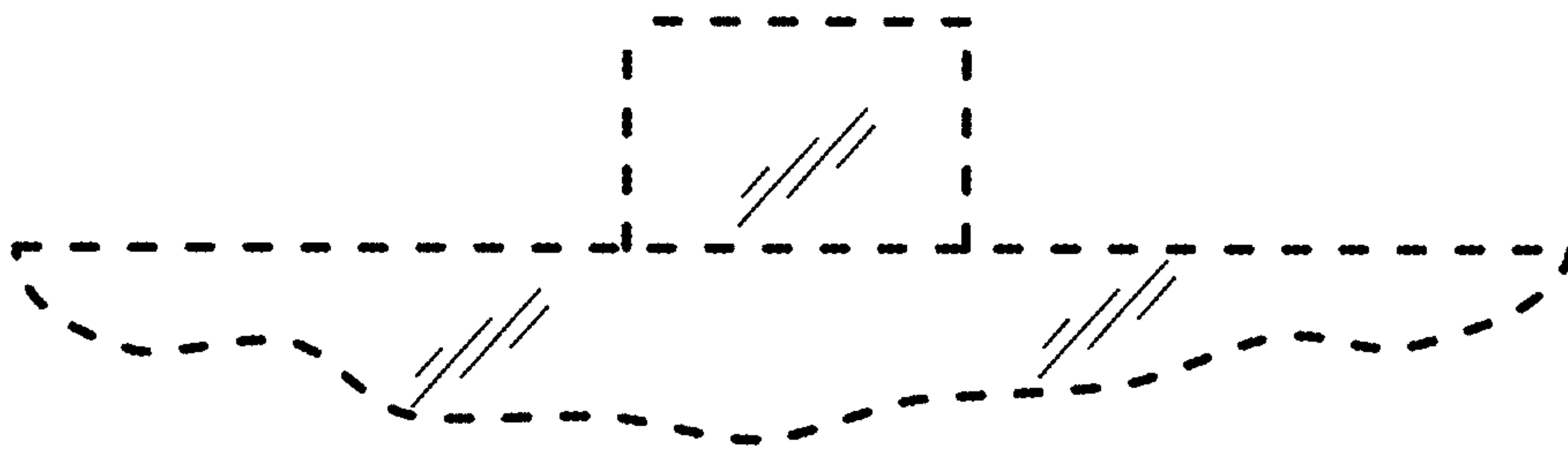


FIG. 9

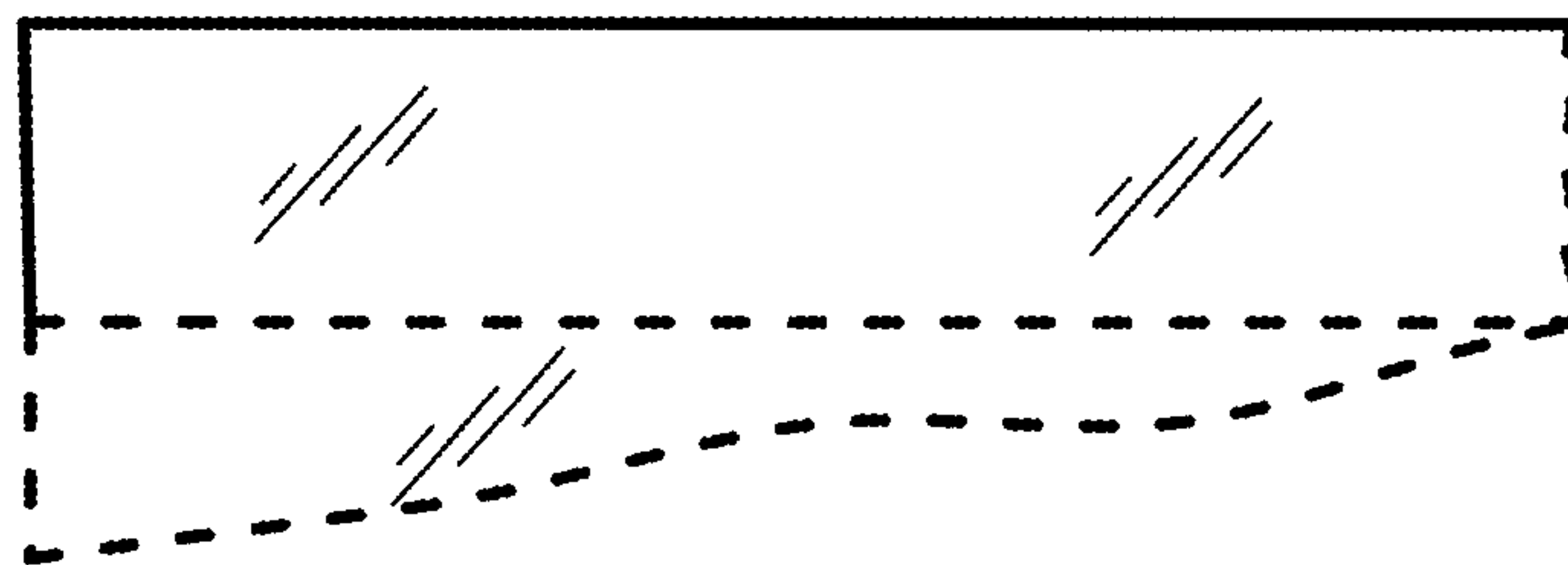


FIG. 10