



US00D776332S

(12) **United States Design Patent**  
**Vasylyev**

(10) **Patent No.:** **US D776,332 S**  
(45) **Date of Patent:** **\*\* Jan. 10, 2017**

(54) **LIGHT GUIDE**

(71) Applicant: **Sergiy Vasylyev**, Elk Grove, CA (US)

(72) Inventor: **Sergiy Vasylyev**, Elk Grove, CA (US)

(73) Assignee: **SVV TECHNOLOGY INNOVATIONS, INC.**, Sacramento, CA (US)

(\*\*) Term: **15 Years**

(21) Appl. No.: **29/538,658**

(22) Filed: **Sep. 4, 2015**

**Related U.S. Application Data**

(63) Continuation-in-part of application No. 13/766,698, filed on Feb. 13, 2013.

(51) **LOC (10) Cl.** ..... **26-99**

(52) **U.S. Cl.**  
USPC ..... **D26/122**

(58) **Field of Classification Search**  
USPC ..... D26/1, 24, 113, 120, 122; D13/180;  
D10/93, 114; D25/138

(Continued)

(56) **References Cited**

**U.S. PATENT DOCUMENTS**

D227,610 S \* 7/1973 Nagel ..... D10/111  
D334,992 S \* 4/1993 Sacco ..... D26/122

(Continued)

*Primary Examiner* — Brian N Vinson

(57) **CLAIM**

The ornamental design for a light guide, as shown and described.

**DESCRIPTION**

A portion of the material in this patent document is subject to copyright protection under the copyright laws of the

United States and of other countries. The owner of the copyright rights has no objection to the facsimile reproduction by anyone of the patent document or the patent disclosure, as it appears in the United States Patent and Trademark Office publicly available file or records, but otherwise reserves all copyright rights whatsoever. The copyright owner does not hereby waive any of its rights to have this patent document maintained in secrecy, including without limitation its rights pursuant to 37 C.F.R. §1.14.

FIG. 1 is a front, top and right side perspective view of a surface feature of a light guide showing my new design, wherein bounds for the light guide of the perspective view are shown in broken lines which are for illustrative purposes to indicate indeterminate length, width and thickness of the light guide only and form no part of the claimed design;

FIG. 2 is a top view thereof;

FIG. 3 is a bottom view thereof;

FIG. 4 is a front view thereof;

FIG. 5 is a rear view thereof;

FIG. 6 is a right side view thereof;

FIG. 7 is a left side view thereof;

FIG. 8 is a front, top and right side perspective view of an alternative embodiment of my design, wherein bounds for the light guide of the perspective view are shown in broken lines which are for illustrative purposes to indicate indeterminate length, width and thickness of the light guide only and form no part of the claimed design;

FIG. 9 is a top view thereof;

FIG. 10 is a bottom view thereof;

FIG. 11 is a front view thereof;

FIG. 12 is a rear view thereof;

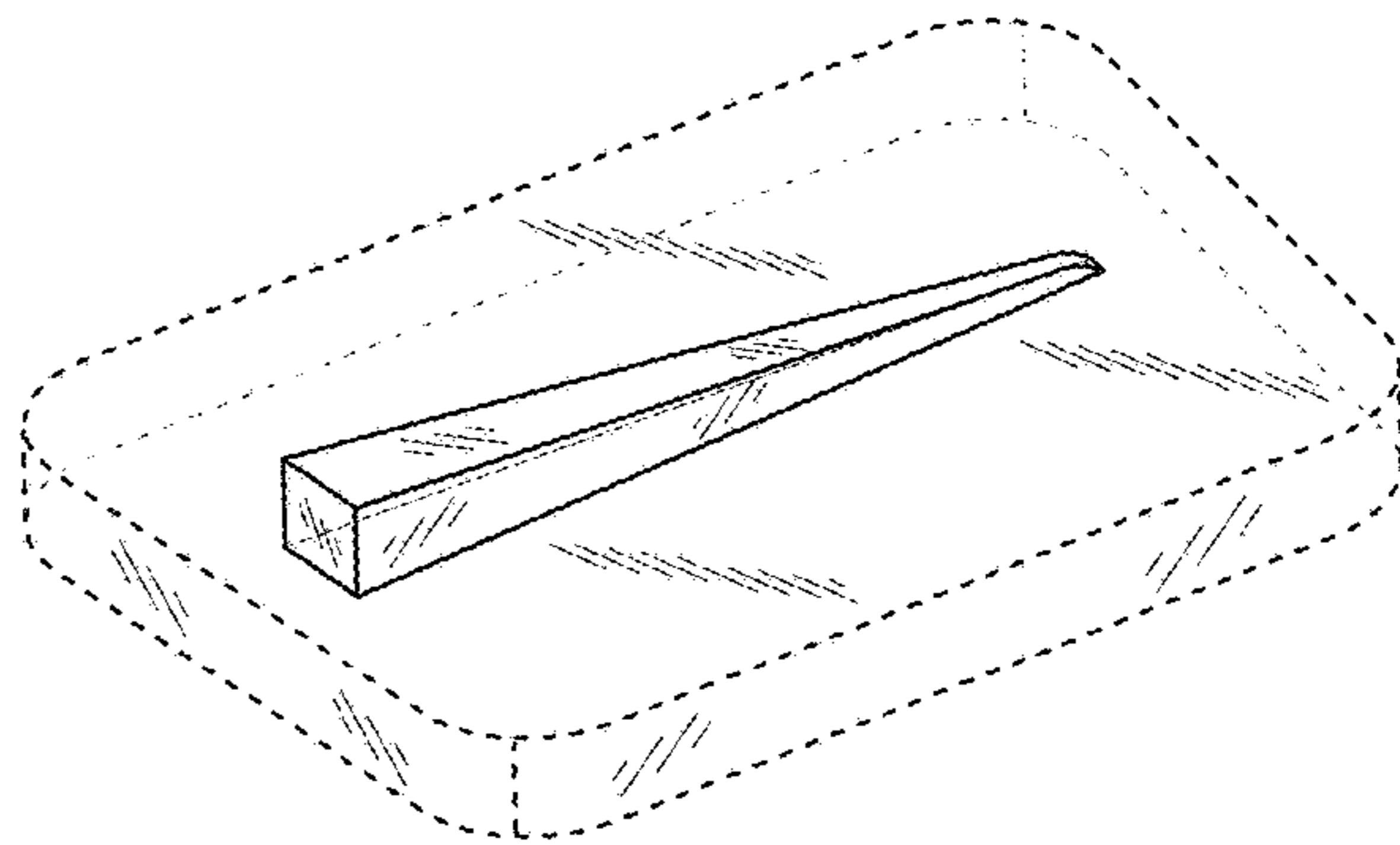
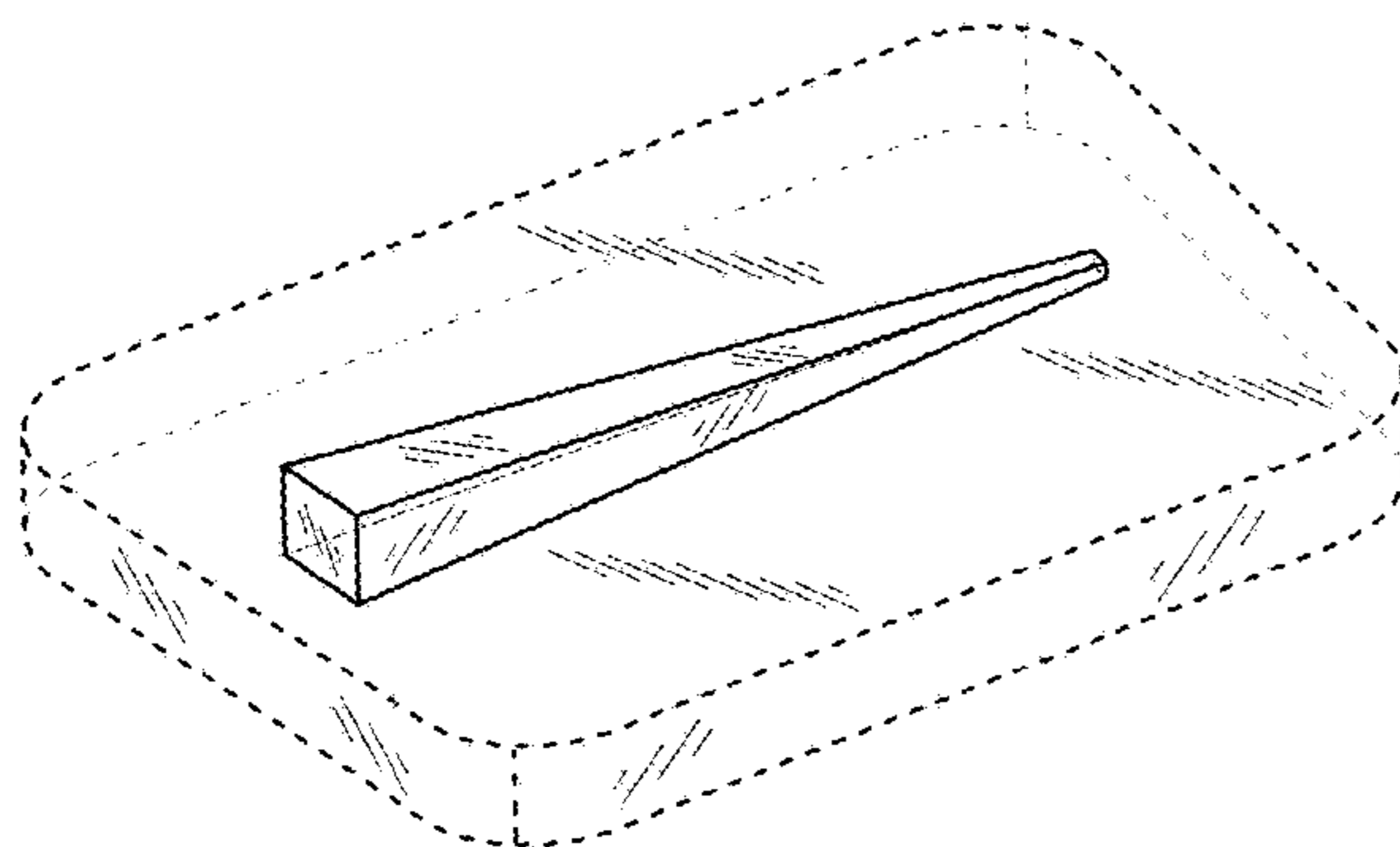
FIG. 13 is a right side view thereof; and,

FIG. 14 is a left side view thereof.

Any portion not shown in the drawings forms no part of the claimed design.

Oblique line shading is used to represent transparent or translucent surfaces.

**1 Claim, 8 Drawing Sheets**



(58) **Field of Classification Search**

CPC ..... B60Q 1/04; B60Q 1/26; F21S 8/026;  
F21S 8/04; F21V 29/004; F21V  
21/02; F21V 21/04; F21V 29/2212; F21Y  
2101/02

See application file for complete search history.

(56) **References Cited**

U.S. PATENT DOCUMENTS

D493,251	S	7/2004	Yu et al.	
D494,704	S *	8/2004	Yu .....	D26/122
D515,715	S *	2/2006	Egawa .....	D26/1
D579,586	S *	10/2008	Mattingly .....	D25/138
D581,090	S *	11/2008	Colleran, Jr. ....	D26/122
D582,590	S *	12/2008	Ding .....	D26/37
D654,210	S	2/2012	Bushre	
D679,444	S	4/2013	Vasylyev	
D693,045	S	11/2013	Kirschhoffer et al.	
D706,967	S	6/2014	Lai	
D719,284	S	12/2014	Mizushiro et al.	
D721,200	S *	1/2015	Kim .....	D26/122
D735,929	S	8/2015	Huang et al.	
D743,089	S *	11/2015	Sugihara .....	D26/113

\* cited by examiner

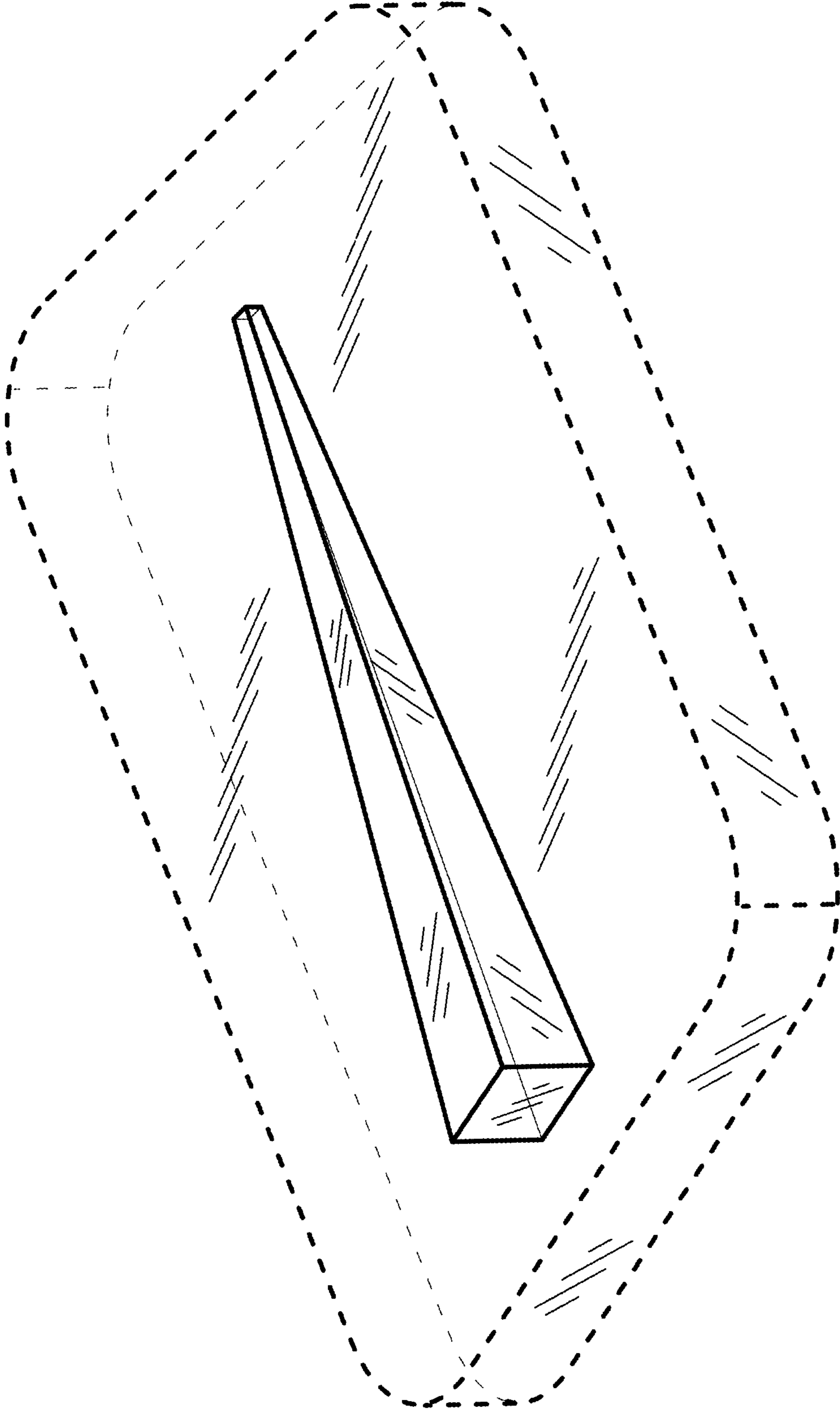


FIG. 1

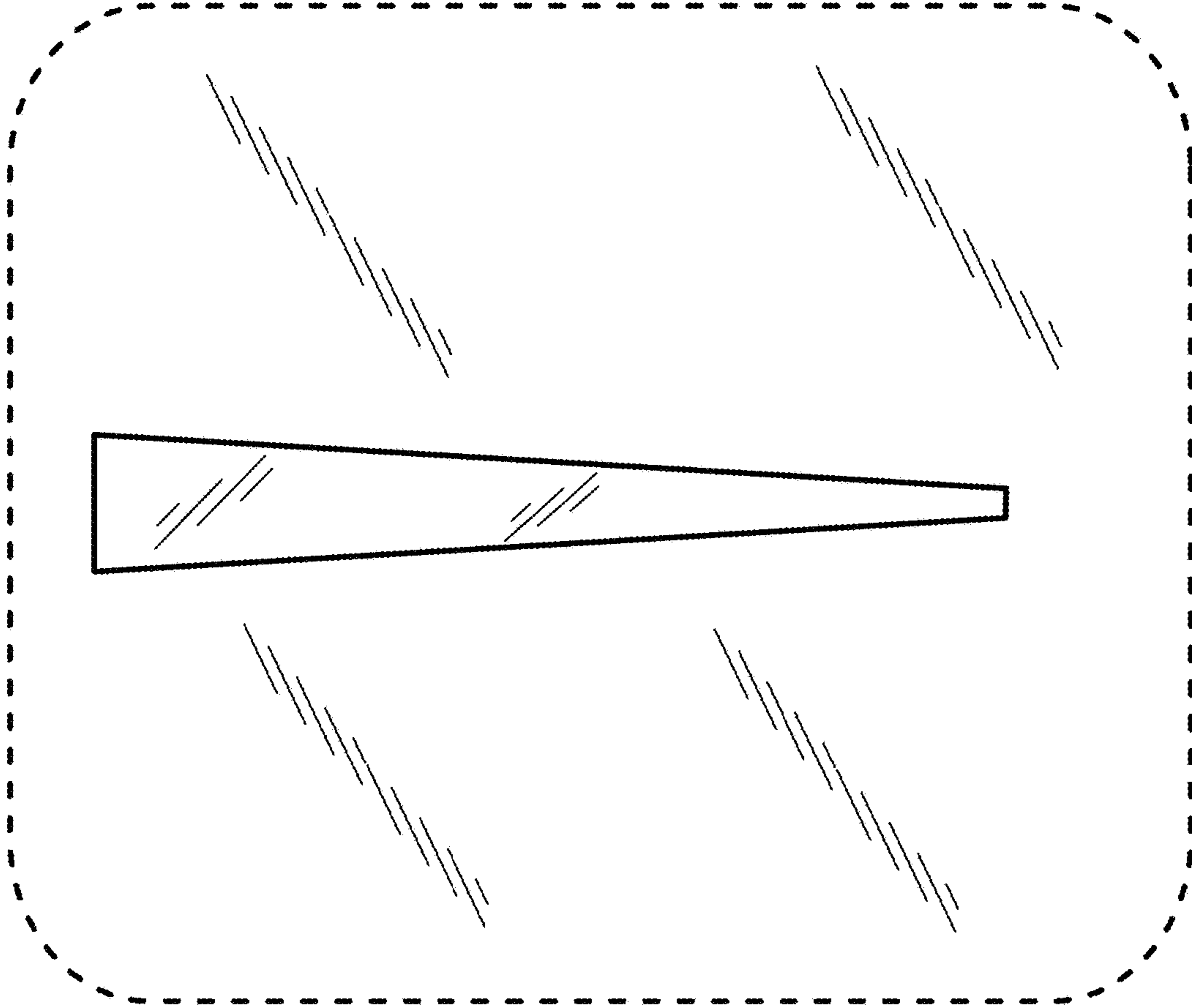


FIG. 2

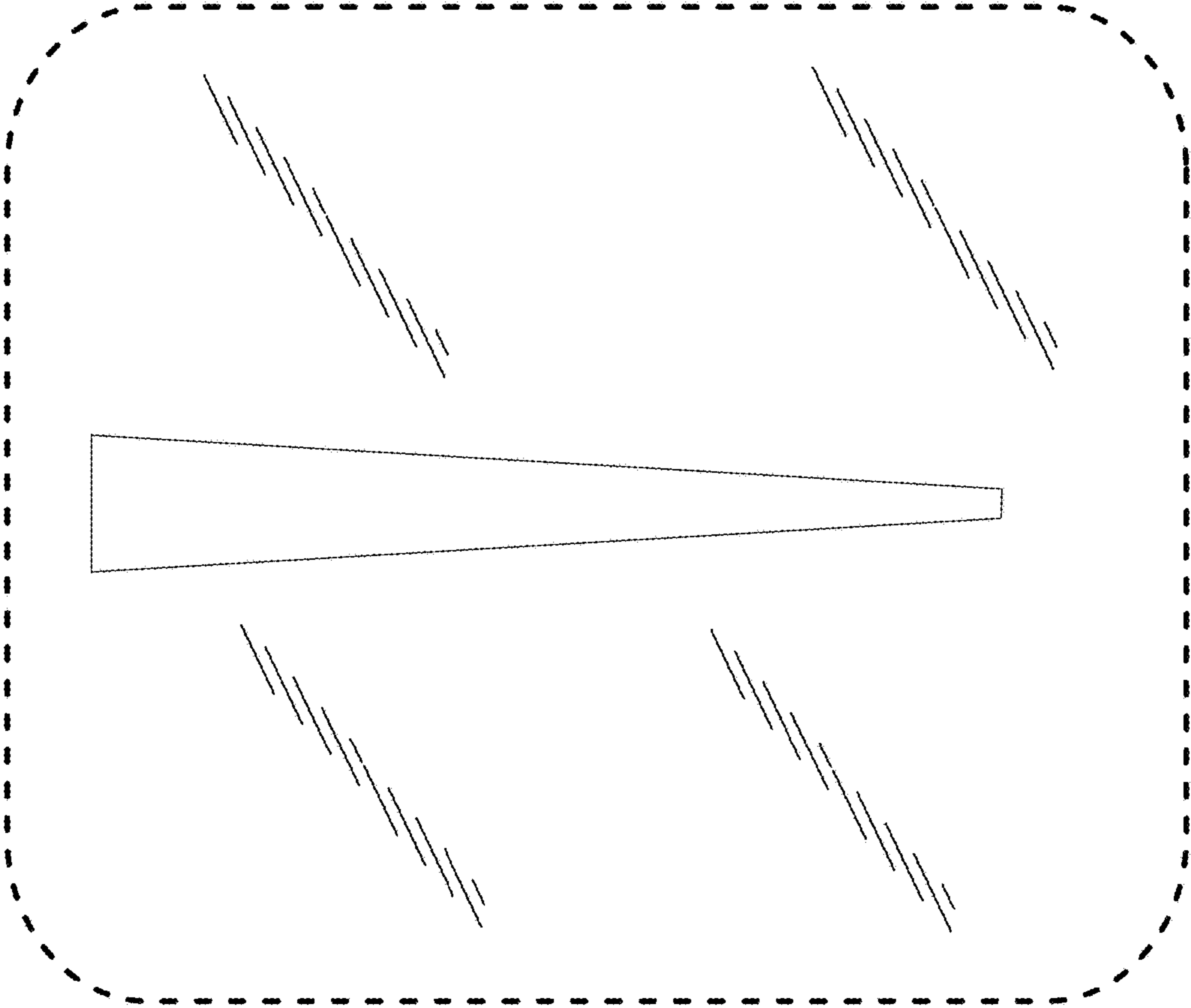


FIG. 3

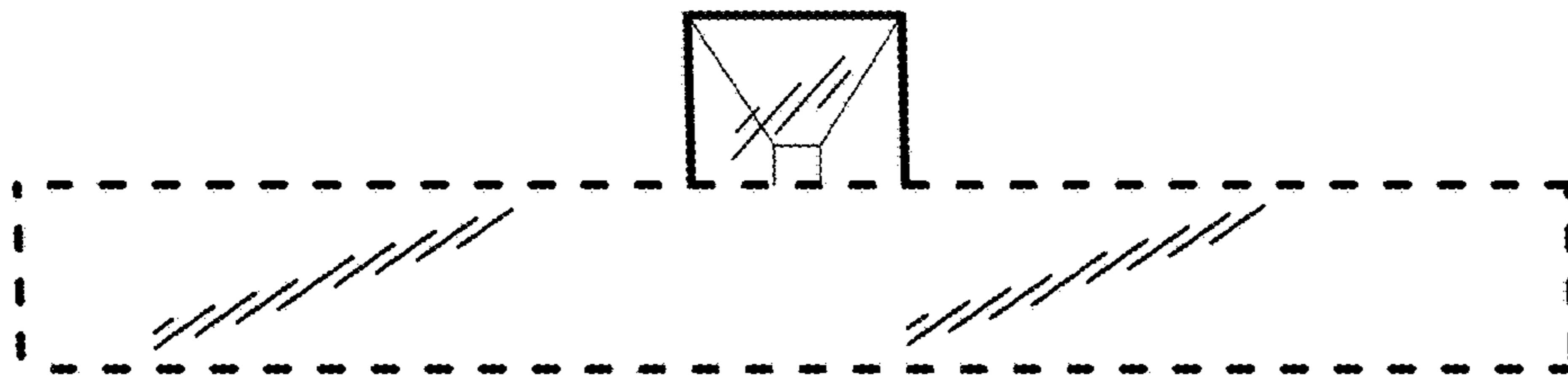


FIG. 4

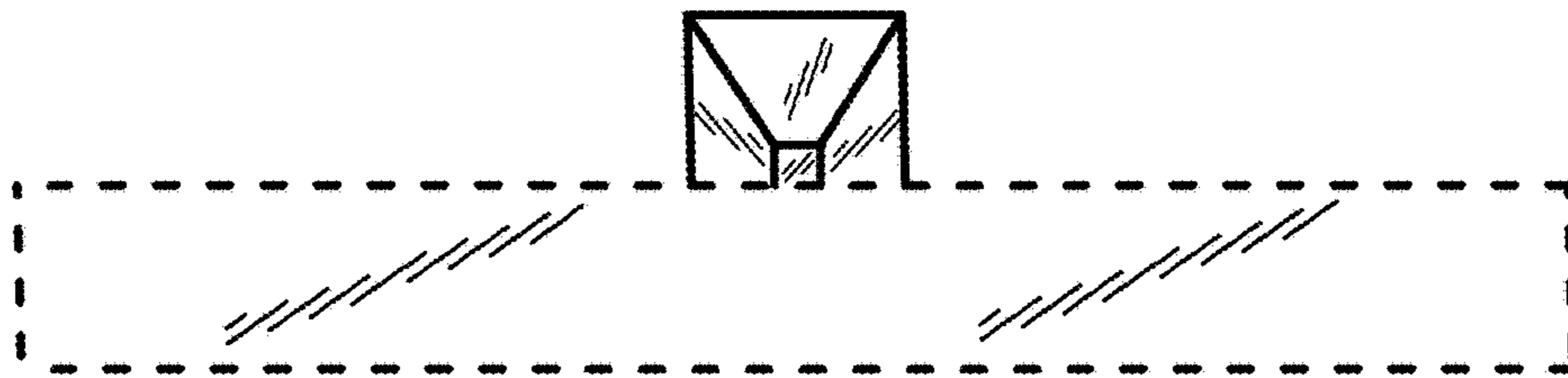


FIG. 5

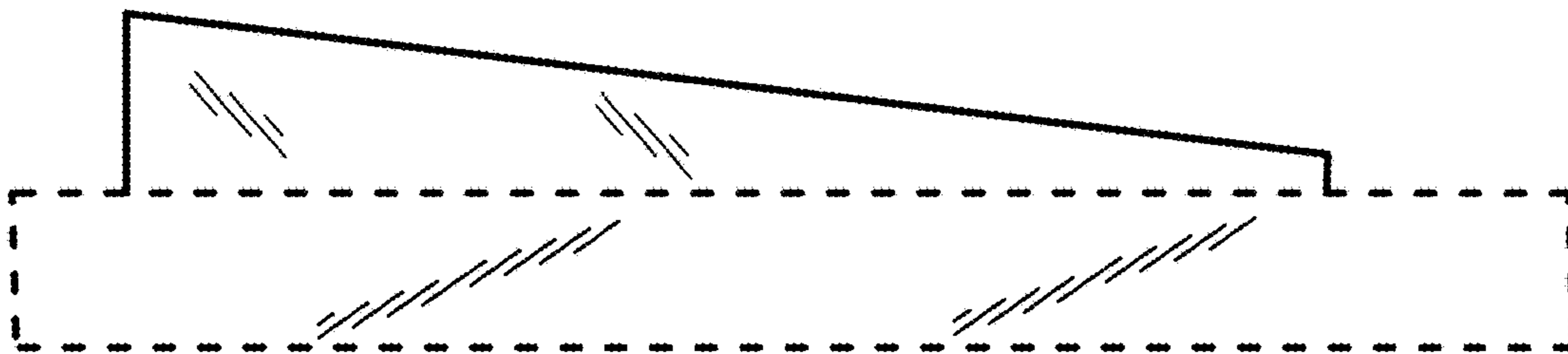


FIG. 6

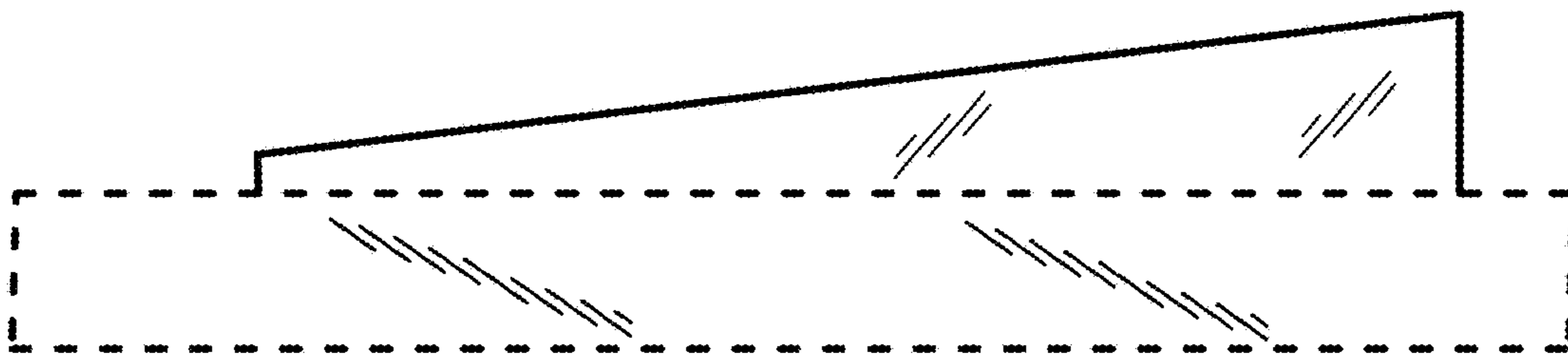


FIG. 7

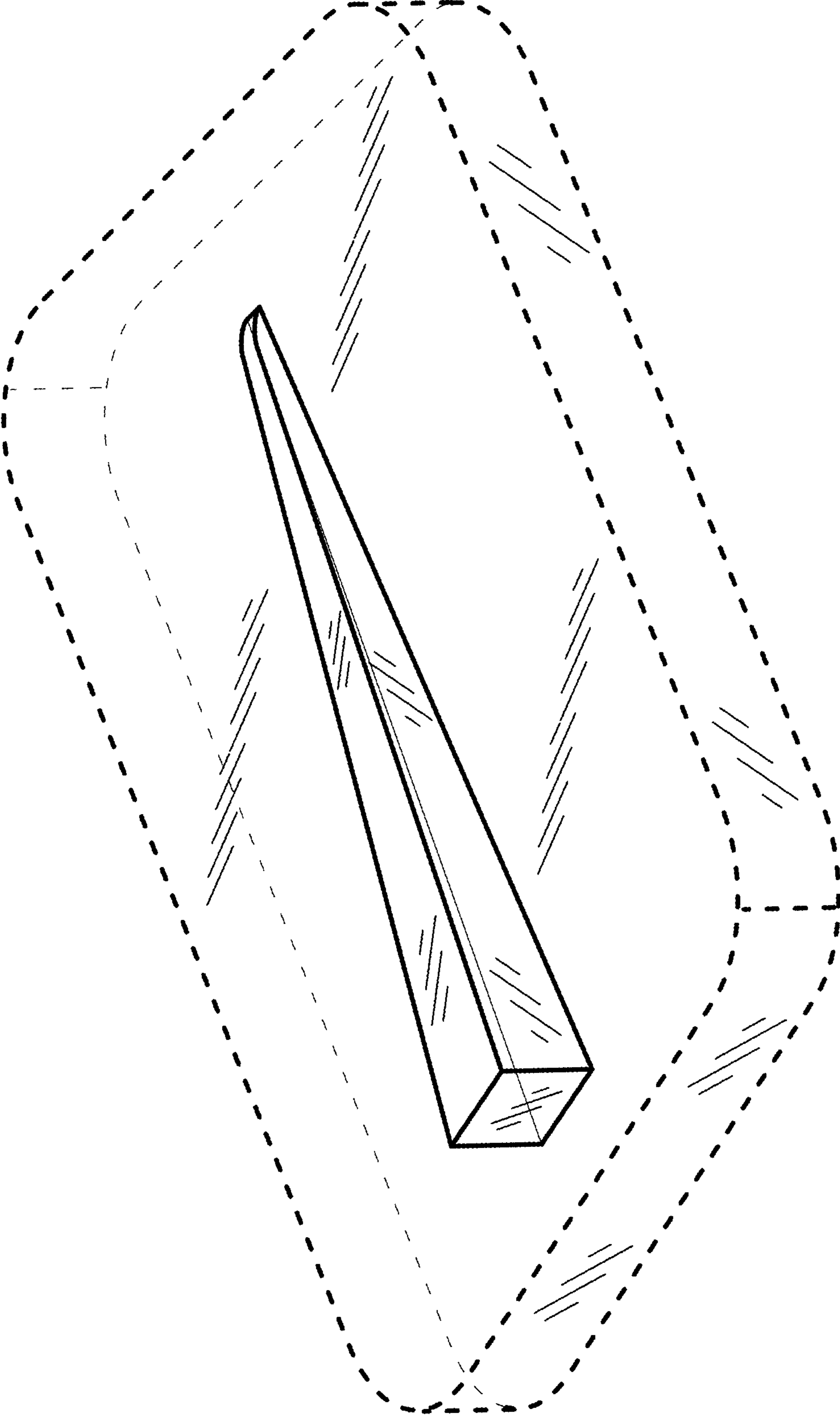


FIG. 8

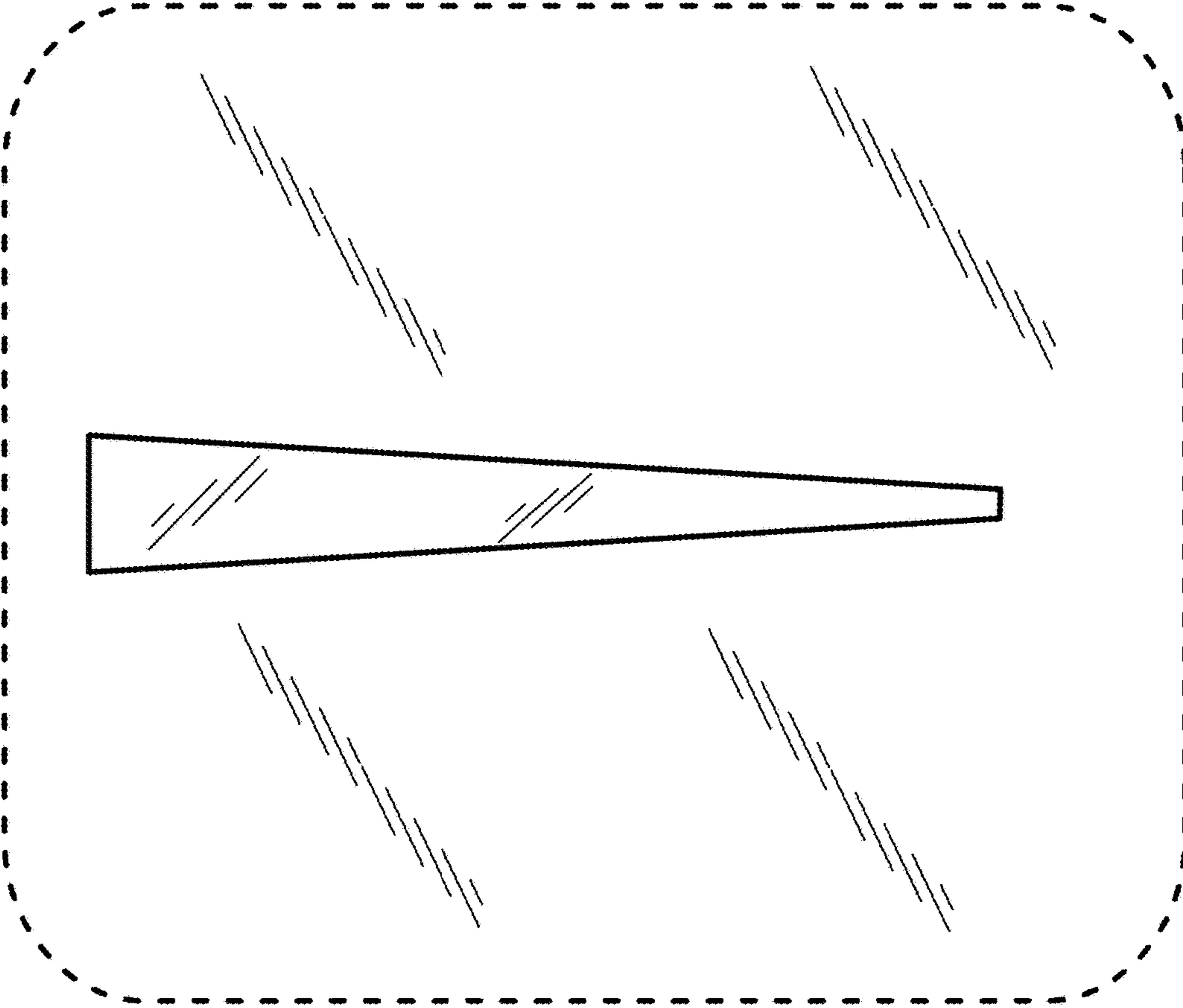


FIG. 9



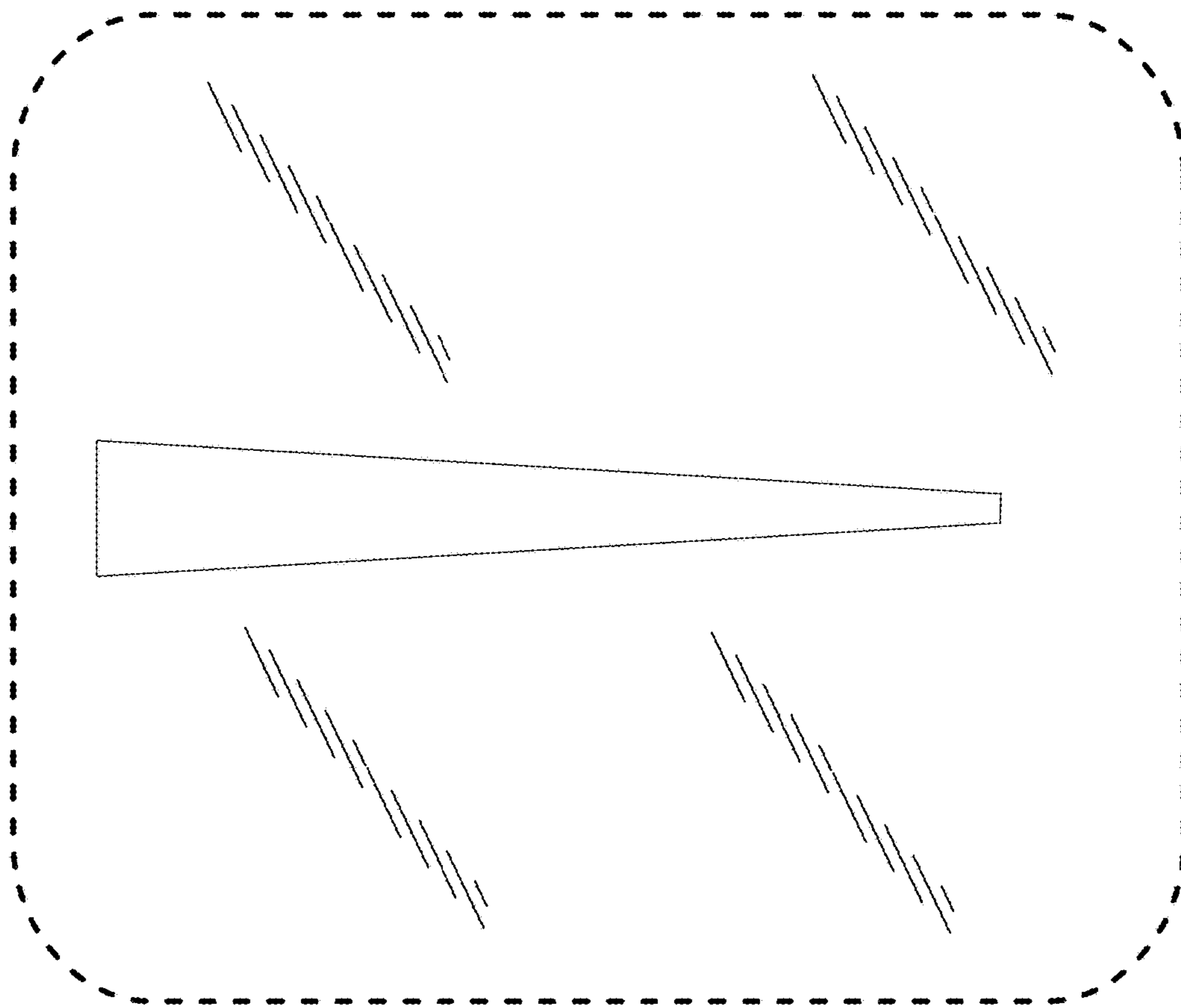


FIG. 10

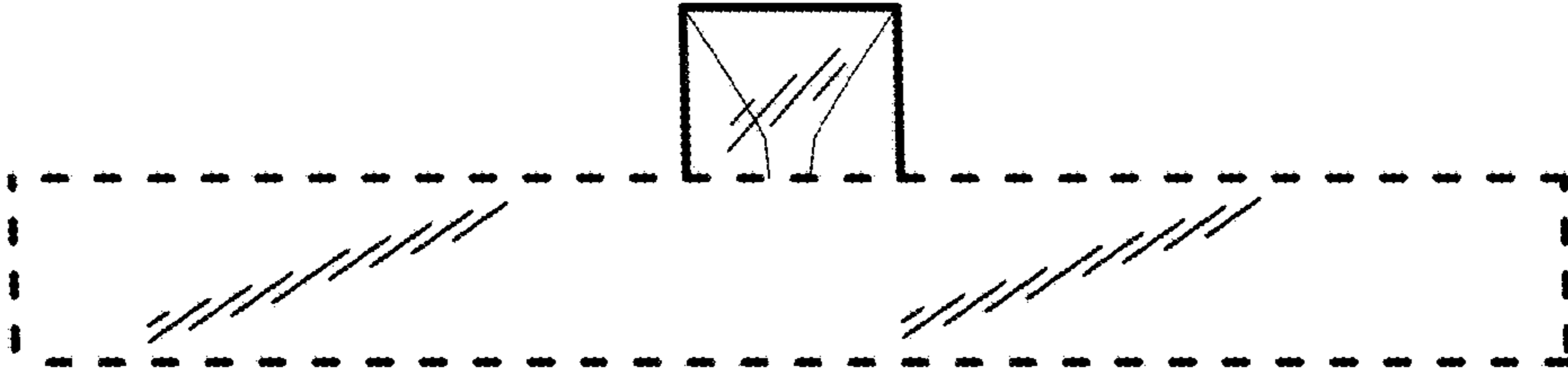


FIG. 11

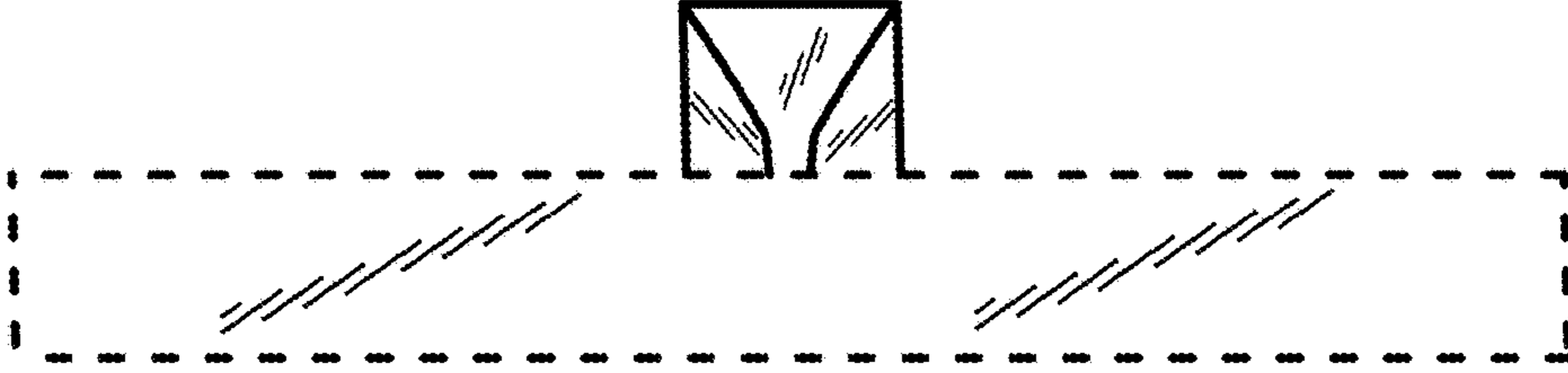


FIG. 12

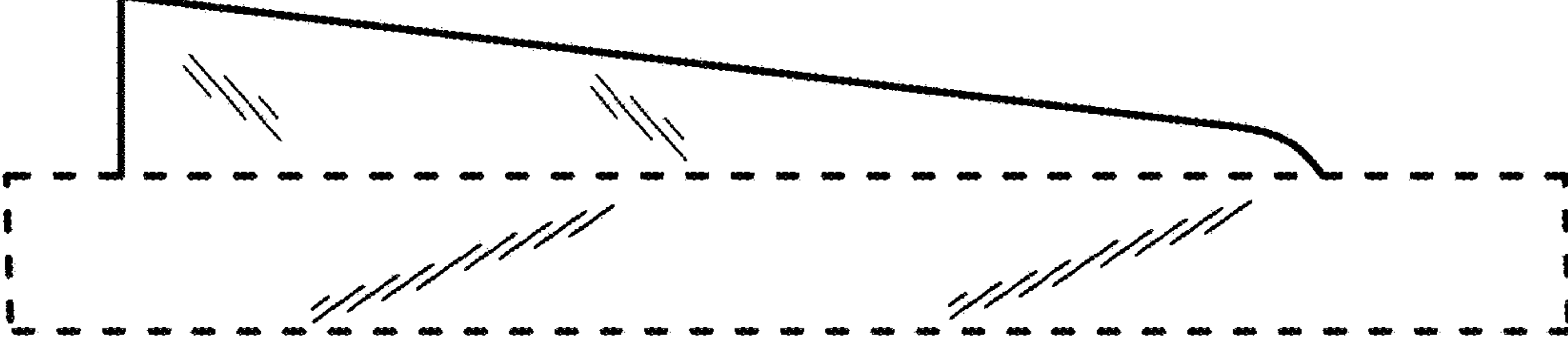


FIG. 13

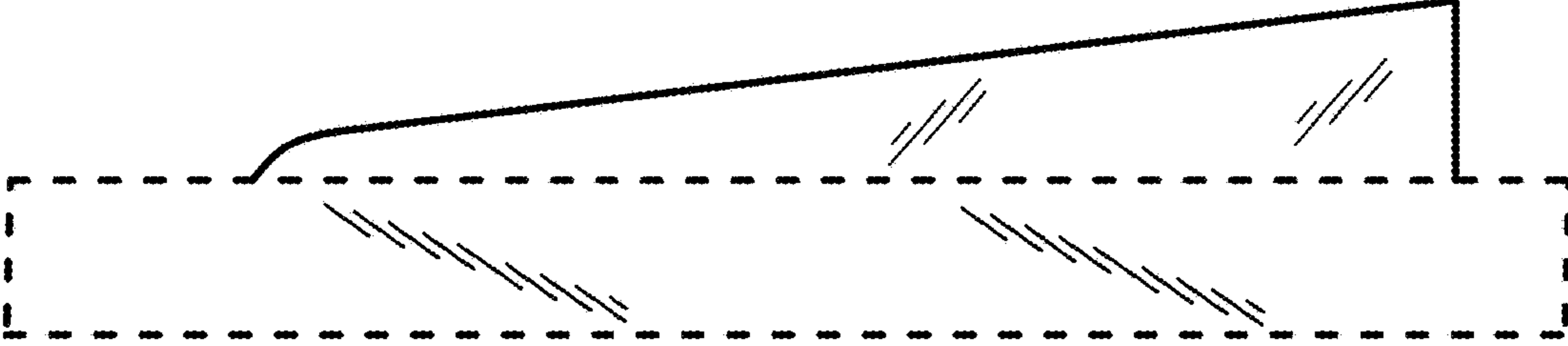


FIG. 14