



US00D776329S

(12) **United States Design Patent** (10) **Patent No.:** **US D776,329 S**
Dyson et al. (45) **Date of Patent:** **** Jan. 10, 2017**

(54) **LIGHT FIXTURE**

2101/02; F23D 11/443; F21K 9/00; H01L 2224/48137

(71) Applicant: **Dyson Technology Limited**, Wiltshire (GB)

See application file for complete search history.

(72) Inventors: **Jacob Dyson**, London (GB); **Douglas Andrew Inge**, London (GB); **Samuel Emrys James**, London (GB)

(56) **References Cited**

U.S. PATENT DOCUMENTS

(73) Assignee: **Dyson Technology Limited**, Malmesbury, Wiltshire (GB)

(**) Term: **15 Years**

(21) Appl. No.: **29/551,543**

(22) Filed: **Jan. 14, 2016**

Related U.S. Application Data

(62) Division of application No. 29/502,359, filed on Sep. 15, 2014, now Pat. No. Des. 750,830.

(30) **Foreign Application Priority Data**

Mar. 14, 2014 (EP) 002425777-0001

Mar. 14, 2014 (EP) 002425777-0002

Mar. 14, 2014 (EP) 002425777-0003

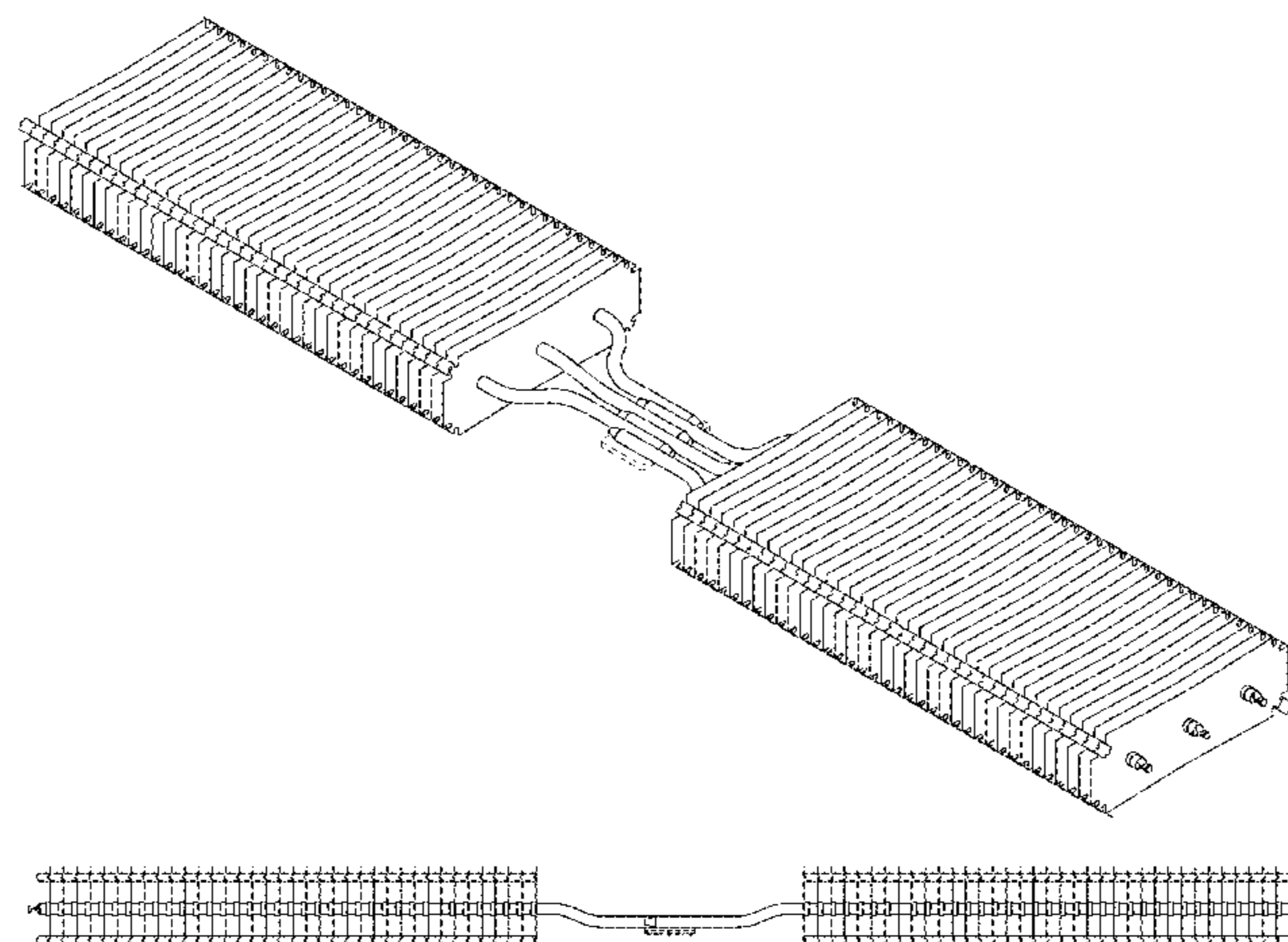
(51) **LOC (10) Cl.** **26-99**

(52) **U.S. Cl.**
USPC **D26/113**

(58) **Field of Classification Search**
USPC D26/5, 6, 9, 10, 11, 12, 13, 15, 16, D26/24, 51, 61, 72, 76, 79, 80, 81, 85, D26/86, 88, 90, 113, 114, 116, 118, 119, D26/120, 121, 122, 127, 128, 129, 131, D26/135, 137, 138, 143, 144, 180, 2, 28, D26/60, 89, 104, 124, 142, 145, 102, 105, D26/103, 107, 108, 179

CPC B01D 46/10; A61L 9/037; B60Q 1/04; B60Q 1/26; F21L 19/00; F21S 8/04; F21S 8/026; F21V 7/00; F21V 7/22; F21V 21/02; F21V 21/04; F21V 29/004; F21V 29/83; F21V 29/2212; F21V 37/002; F21V 3/02; F21V 29/006; F21Y

D117,643 S 11/1939 Stewart
D132,144 S * 4/1942 Hallman D26/84
2,301,228 A * 11/1942 Hultgren F21S 2/00
174/541
D156,332 S * 12/1949 Gilman D26/77
2,880,352 A * 3/1959 Hart H01J 19/00
313/269
2,946,880 A * 7/1960 Picha F21S 8/04
362/224
D240,853 S * 8/1976 Aronson D26/77
D245,535 S * 8/1977 Segil D26/121
D245,536 S 8/1977 Segil
D279,506 S 7/1985 Simson
D304,173 S 10/1989 Frassati
D328,057 S * 7/1992 Prager D13/110
D347,208 S * 5/1994 Martin D13/133
D360,271 S * 7/1995 Butler D26/77
D377,231 S * 1/1997 Degelmann D26/77
D429,357 S * 8/2000 Grimm D26/76
D459,517 S * 6/2002 Shemitz D26/76
D461,928 S 8/2002 De'Armond
6,517,218 B2 * 2/2003 Hochstein F21S 48/215
257/712
D480,172 S 9/2003 Herst
D483,332 S * 12/2003 Verfuert D13/147
6,659,623 B2 * 12/2003 Friend F21V 21/002
250/504 R
D491,260 S * 6/2004 Luo D23/411
6,991,482 B1 * 1/2006 Liao H01R 13/508
439/106
7,160,140 B1 * 1/2007 Mrakovich F21V 21/002
439/417
D566,044 S * 4/2008 D'Arco D13/133
D570,823 S * 6/2008 Duarte D14/205
D573,532 S * 7/2008 Yang D13/110
D578,674 S * 10/2008 Kawagoe D26/2
D578,696 S * 10/2008 Wang D26/70
D581,062 S 11/2008 Kawagoe
D588,286 S 3/2009 Kawagoe
D588,288 S * 3/2009 Kawagoe D26/2
D600,851 S 9/2009 Nourishad
D613,443 S * 4/2010 Chen D26/70
7,744,258 B2 * 6/2010 Liu F21S 8/086
362/294
7,753,568 B2 * 7/2010 Hu F21K 9/00



(56)

References Cited

U.S. PATENT DOCUMENTS

D627,915 S * 11/2010 Pei 362/294 D26/76
 D629,958 S 12/2010 Kong
 D632,418 S * 2/2011 Bisberg D26/76
 D632,821 S * 2/2011 Culbert D26/74
 D632,836 S 2/2011 Kuchar
 D633,230 S * 2/2011 Chen D26/24
 D635,708 S * 4/2011 Zheng D26/78
 D636,529 S 4/2011 Loraing
 D636,929 S 4/2011 Kong
 D640,825 S * 6/2011 Schmidt D26/121
 7,976,188 B2 * 7/2011 Peng F21S 8/04
 362/221
 7,983,043 B2 * 7/2011 Xu F28D 15/0233
 165/185
 D642,721 S * 8/2011 Li D26/63
 D643,960 S * 8/2011 Waldmann D26/74
 7,988,341 B2 * 8/2011 Chen F21V 17/12
 362/101
 D645,189 S * 9/2011 Howis D26/69
 8,075,164 B2 * 12/2011 Xiao F21V 15/013
 362/294
 D655,857 S * 3/2012 Sabernig D26/113
 D661,008 S * 5/2012 Yuan D26/74
 D662,255 S 6/2012 Klu
 D664,706 S * 7/2012 Schieffelin D26/122
 8,267,544 B2 * 9/2012 Zheng F21S 2/005
 362/249.02
 D670,843 S 11/2012 Von Waldthausen
 D672,004 S 12/2012 Stracener
 D672,908 S * 12/2012 Wilcox D26/118
 D674,132 S 1/2013 Shemitz-Walkder
 D675,772 S 2/2013 Tran
 D676,185 S 2/2013 Piepgras
 8,376,583 B2 2/2013 Wang
 D681,265 S 4/2013 Kim
 D682,135 S 5/2013 Grote, Jr.
 D688,403 S * 8/2013 Landefeld D26/69
 D690,839 S 10/2013 Wang
 D690,859 S 10/2013 Mollaghaffari
 D693,960 S 11/2013 Shemitz-Walker
 D697,247 S 1/2014 Mollaghaffari
 D697,646 S 1/2014 He
 D697,653 S 1/2014 Wessel
 D698,481 S 1/2014 Wasserman
 D699,886 S 2/2014 Wilke
 D701,279 S 3/2014 Clark
 D703,863 S 4/2014 Cho
 D709,159 S 7/2014 Gibson
 D709,238 S * 7/2014 May D26/72
 D711,037 S * 8/2014 Lehman D26/77
 D712,582 S 9/2014 Yanping
 D713,242 S * 9/2014 Magan D8/396
 D714,486 S 9/2014 Wilke
 D715,992 S 10/2014 Schroeder
 D715,994 S 10/2014 Klus
 D726,361 S 4/2015 Rischau
 D730,448 S 5/2015 Rau
 D730,568 S 5/2015 Mahowald
 D731,103 S 6/2015 Wilke
 D731,688 S 6/2015 Piano
 D732,234 S 6/2015 Rashidi Doust
 D733,355 S 6/2015 Klus
 D733,669 S 7/2015 Freeman
 D734,532 S 7/2015 Gordin
 D735,391 S 7/2015 Blessitt
 D736,612 S 8/2015 Sickler, Jr.
 D745,196 S * 12/2015 Walterscheid D26/24
 9,199,125 B2 * 12/2015 James A63B 69/0059
 D750,830 S * 3/2016 Dyson D26/113

D756,547 S * 5/2016 Zhang D26/24
 2007/0227699 A1 * 10/2007 Nishi F28D 15/0266
 165/96
 2008/0055534 A1 * 3/2008 Kawano G02F 1/133603
 349/161
 2008/0180015 A1 * 7/2008 Wu F21V 29/763
 313/46
 2008/0295993 A1 * 12/2008 Chen H01L 23/427
 165/80.3
 2009/0052177 A1 * 2/2009 Lin F21V 29/763
 362/249.01
 2009/0262533 A1 * 10/2009 Liu F21S 8/086
 362/249.02
 2010/0002438 A1 * 1/2010 Zhang F21K 9/00
 362/249.02
 2010/0110679 A1 * 5/2010 Teng F21K 9/00
 362/235
 2010/0296287 A1 11/2010 Huang
 2011/0163341 A1 * 7/2011 Van Elmpt F21K 9/00
 257/98
 2011/0219657 A1 * 9/2011 Ash, Jr. F41C 27/00
 42/90
 2013/0250556 A1 * 9/2013 Gordin F21S 8/088
 362/147
 2015/0029721 A1 * 1/2015 Kim F21K 9/00
 362/249.02

OTHER PUBLICATIONS

Cu-Beam, image post date Mar. 11, 2016, site visited Jul. 20, 2016, (online), <<http://web.archive.org/web/20160311221147/http://www.dyson.com/lighting/cu-beam-suspended-lights.aspx>>.*
 Jake Dyson Ariel Lights, image post date Jul. 15, 2014, site visited Jul. 20, 2016, (online), <<http://web.archive.org/web/20140715050338/http://uncrate.com/stuff/jake-dyson-ariel-lights/>>.*
 Ariel, image post date Oct. 12, 2014, site visited Jul. 20, 2016, (online), <<http://web.archive.org/web/20141012182956/http://www.dwstudio.co.uk/case-studies/jake-dyson-ariel-uplight-downlight>>.*
 Ariel donwlight, image post date Nov. 26, 2014, site visited Jul. 20, 2016, (online), <<https://www.tineye.com/search/174dd38c36692c265b816732c628fe183ab17539/>>.*

* cited by examiner

Primary Examiner — Kevin Rudzinski
 Assistant Examiner — Sean D Lough
 (74) Attorney, Agent, or Firm — Morrison & Foerster LLP

(57)

CLAIM

The ornamental design for a light fixture, as shown and described.

DESCRIPTION

FIG. 1 is a perspective view of the light fixture showing our new design;
 FIG. 2 is a front view thereof;
 FIG. 3 is a rear view thereof;
 FIG. 4 is a top plan view thereof;
 FIG. 5 is a bottom plan view thereof; and,
 FIG. 6 is a side view thereof.
 The broken lines shown illustrate portions of the light fixture that form no part of the claimed design.

1 Claim, 3 Drawing Sheets

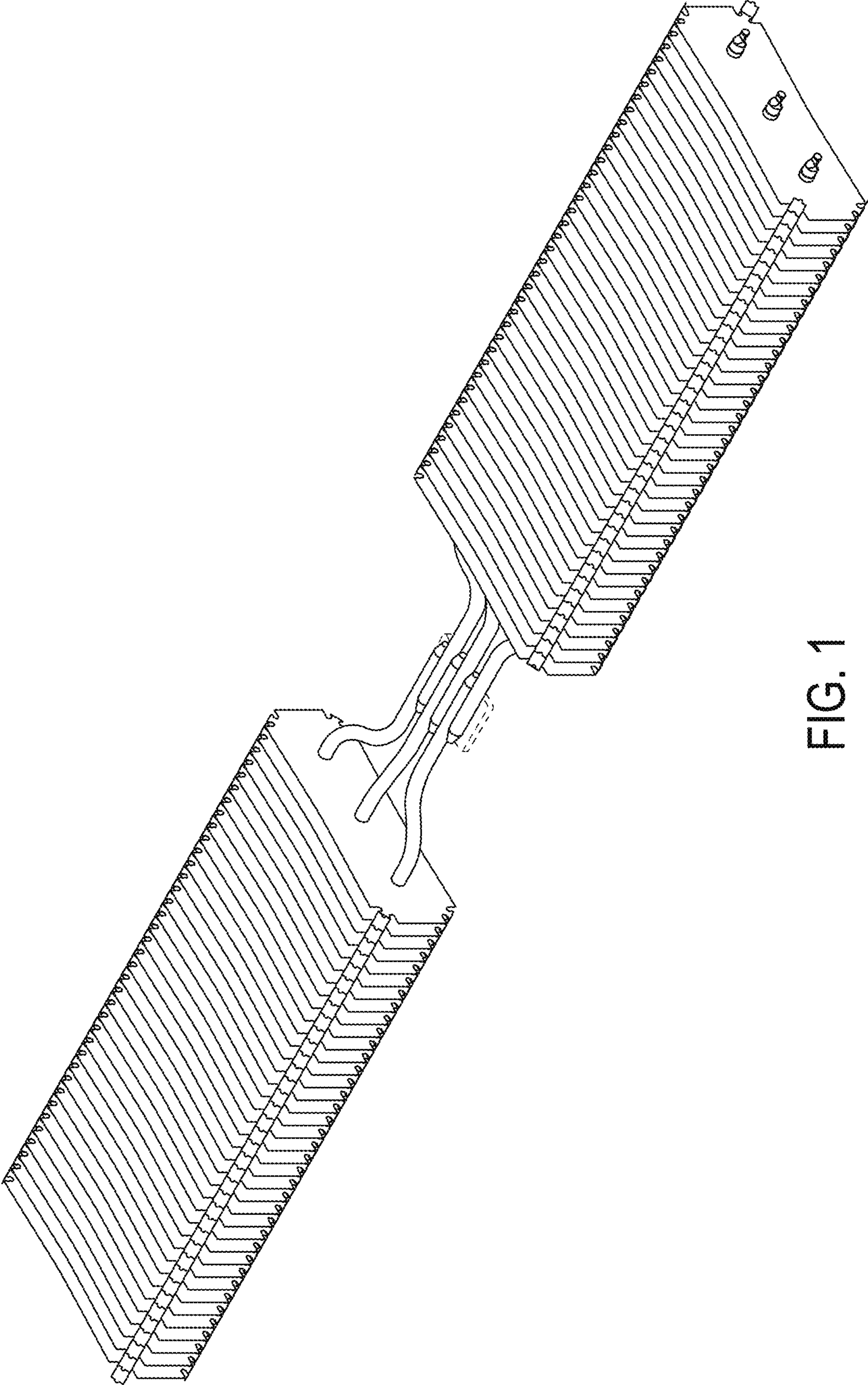


FIG. 1

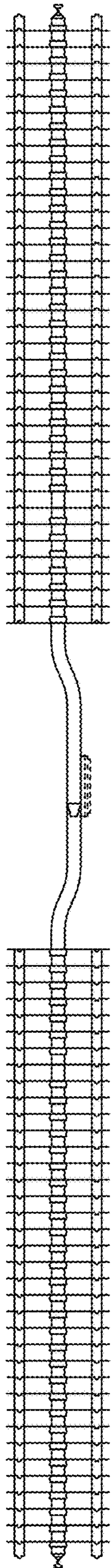


FIG. 2

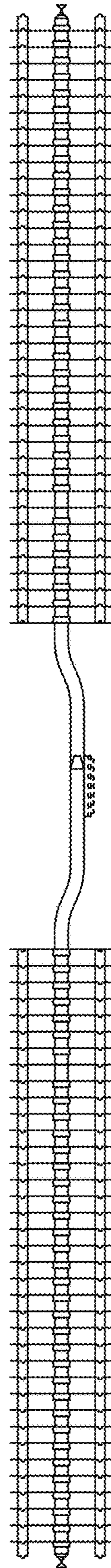


FIG. 3

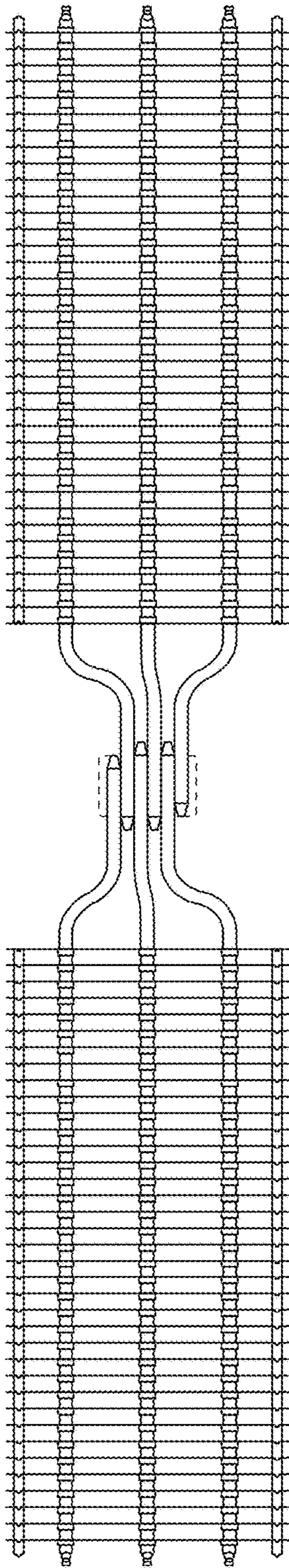


FIG. 4

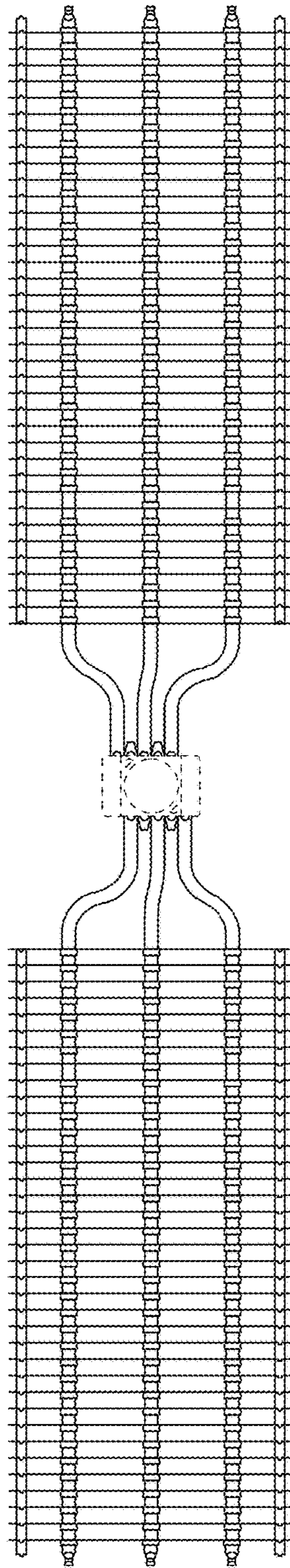


FIG. 5

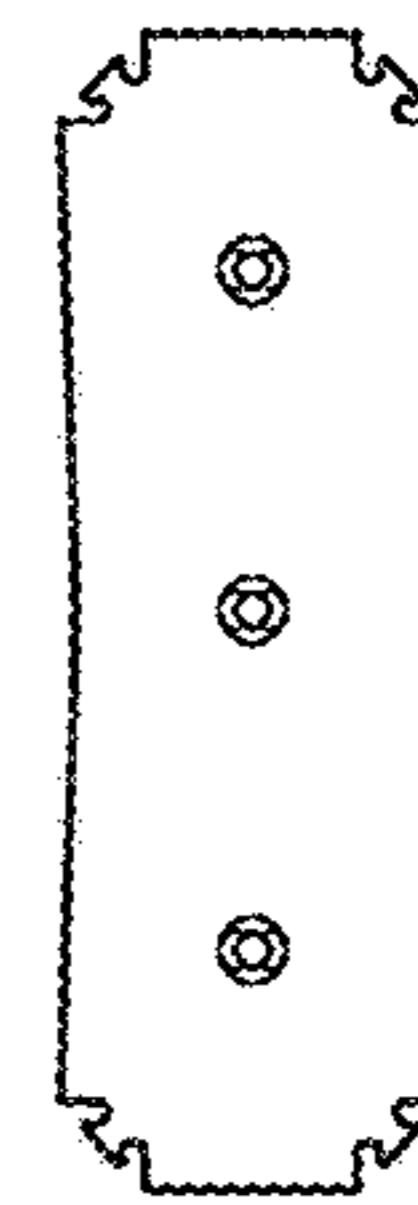


FIG. 6