



US00D776328S

(12) **United States Design Patent** (10) **Patent No.:** **US D776,328 S**
Bacus et al. (45) **Date of Patent:** **** Jan. 10, 2017**

(54) **LIGHT FRAME**

(71) Applicant: **Smart Billiard Lighting LLC**, Oak Brook, IL (US)

(72) Inventors: **James W. Bacus**, Oak Brook, IL (US); **James V. Bacus**, Harbor Springs, MI (US); **Daniel J. Williams**, Wood Dale, IL (US); **Geoff Pedrick**, Chicago, IL (US)

(73) Assignee: **SMART BILLIARD LIGHTING LLC**, Oak Brook, IL (US)

7,547,119 B2 * 6/2009 Kuwana B60Q 3/0293
 200/310
 D653,800 S * 2/2012 Huang D26/139
 D676,599 S * 2/2013 Davidson D26/139
 D751,236 S * 3/2016 Renshaw D26/89
 2012/0285060 A1 * 11/2012 Gross A47G 1/065
 40/711

* cited by examiner

Primary Examiner — Zenia Bennett
 (74) *Attorney, Agent, or Firm* — Fitch, Even, Tabin & Flannery LLP

(**) Term: **15 Years**

(21) Appl. No.: **29/548,094**

(22) Filed: **Dec. 10, 2015**

(51) **LOC (10) Cl.** **26-99**

(52) **U.S. Cl.**
USPC **D26/113**

(58) **Field of Classification Search**
 USPC D26/72, 85, 87, 91, 113–117, 139;
 362/147, 404–408, 432; D6/300–308
 CPC A63H 30/04; H04B 1/1027; F21S 8/04
 See application file for complete search history.

(56) **References Cited**

U.S. PATENT DOCUMENTS

D372,591 S * 8/1996 Brunner D6/300
 D396,841 S * 8/1998 Taylor D12/317
 5,803,655 A * 9/1998 Furuya E05B 13/00
 24/616
 D420,354 S * 2/2000 Morales D14/191
 6,601,976 B1 * 8/2003 Rhee B60Q 3/0203
 362/148
 D564,694 S * 3/2008 Southern, Jr. D26/76

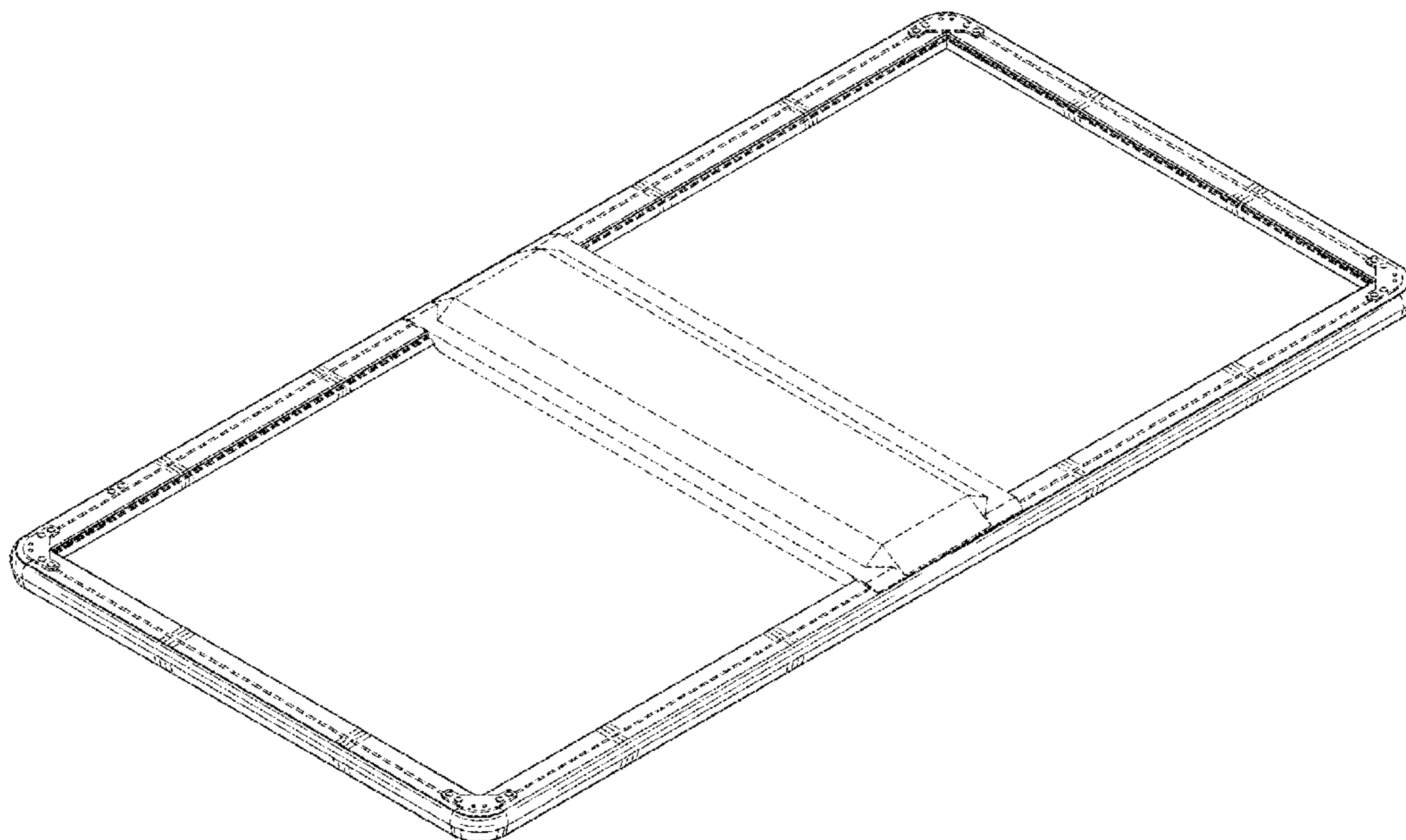
(57) **CLAIM**

We claim the ornamental design for a light frame, as shown and described.

DESCRIPTION

FIG. 1 is a perspective view of a new design comprising a light frame shown in the example context of a billiard table; FIG. 2 is a top perspective view of the new design comprising a light frame; FIG. 3 is a bottom perspective view of the light frame of FIG. 2; FIG. 4 is a top view of the light frame of FIG. 2; FIG. 5 is a bottom view of the light frame of FIG. 2; FIG. 6 is a right side view of the light frame of FIG. 2; FIG. 7 is a left side view of the light frame of FIG. 2; FIG. 8 is a front view of the light frame of FIG. 2; and, FIG. 9 is a back view of the light frame of FIG. 2. The portions of the frame, the light fixtures, the chains, the ceiling fixtures, and the billiard table shown in broken lines are for illustrative purposes only and do not form part of the claimed design.

1 Claim, 7 Drawing Sheets



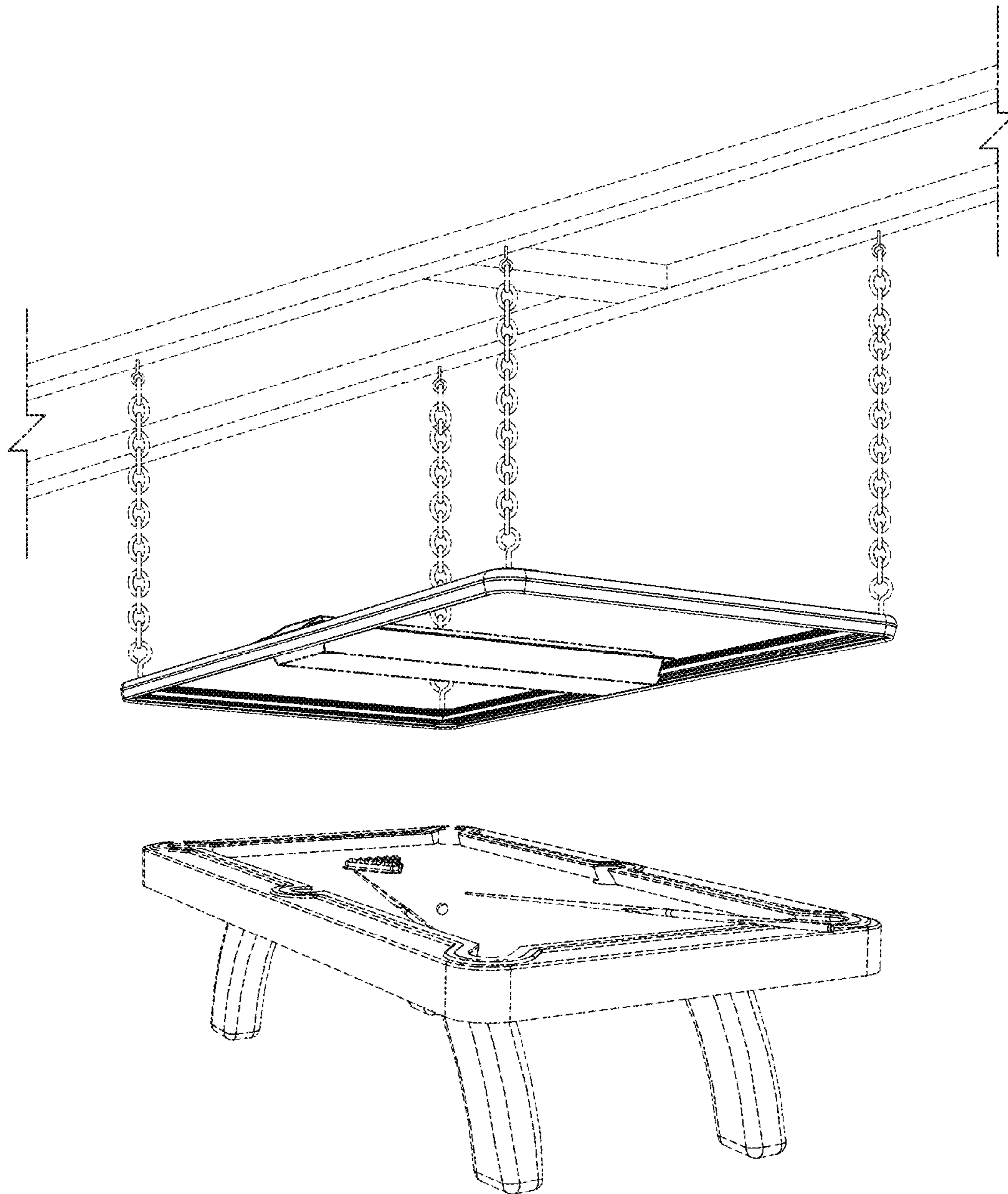


FIG. 1

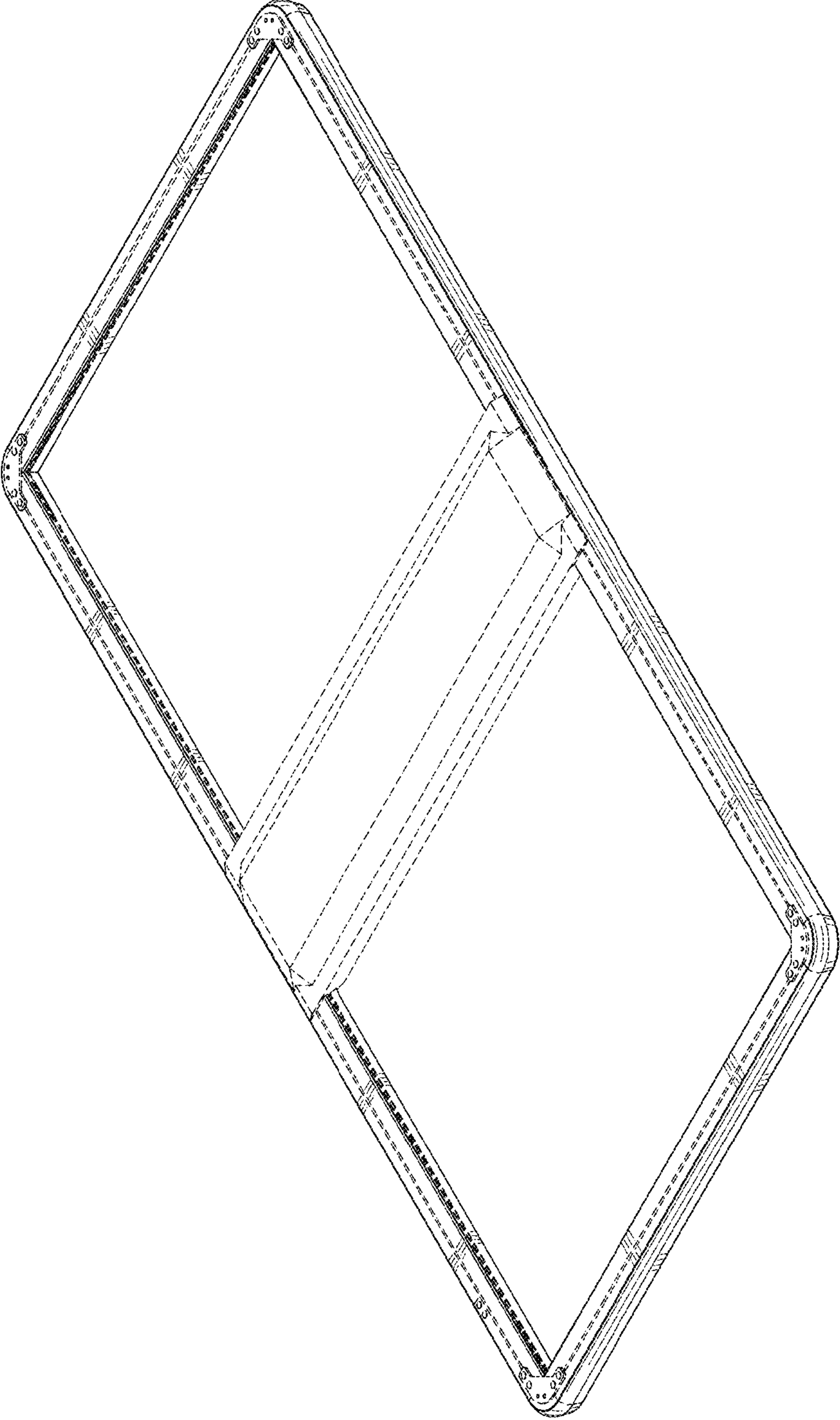


FIG. 2

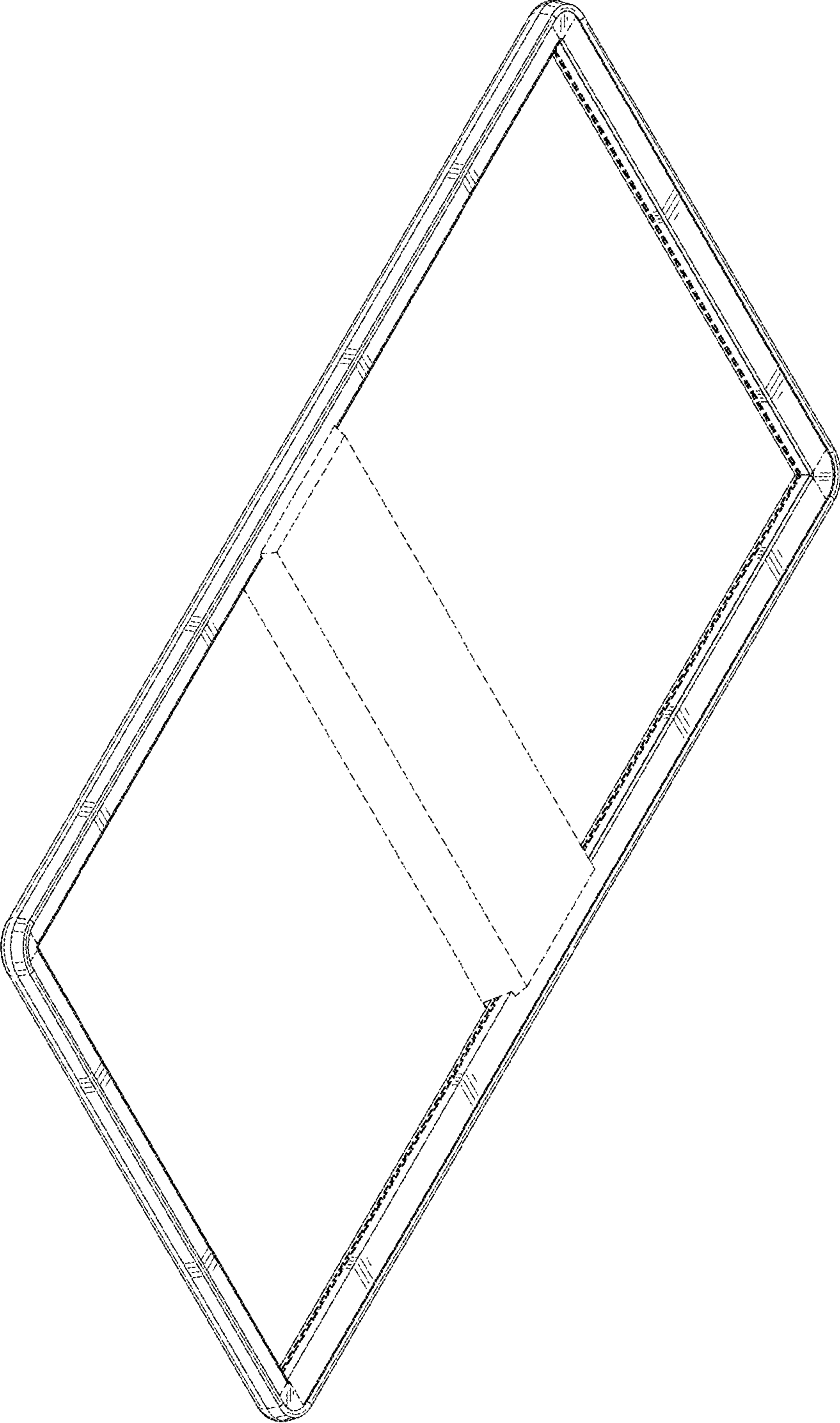


FIG. 3

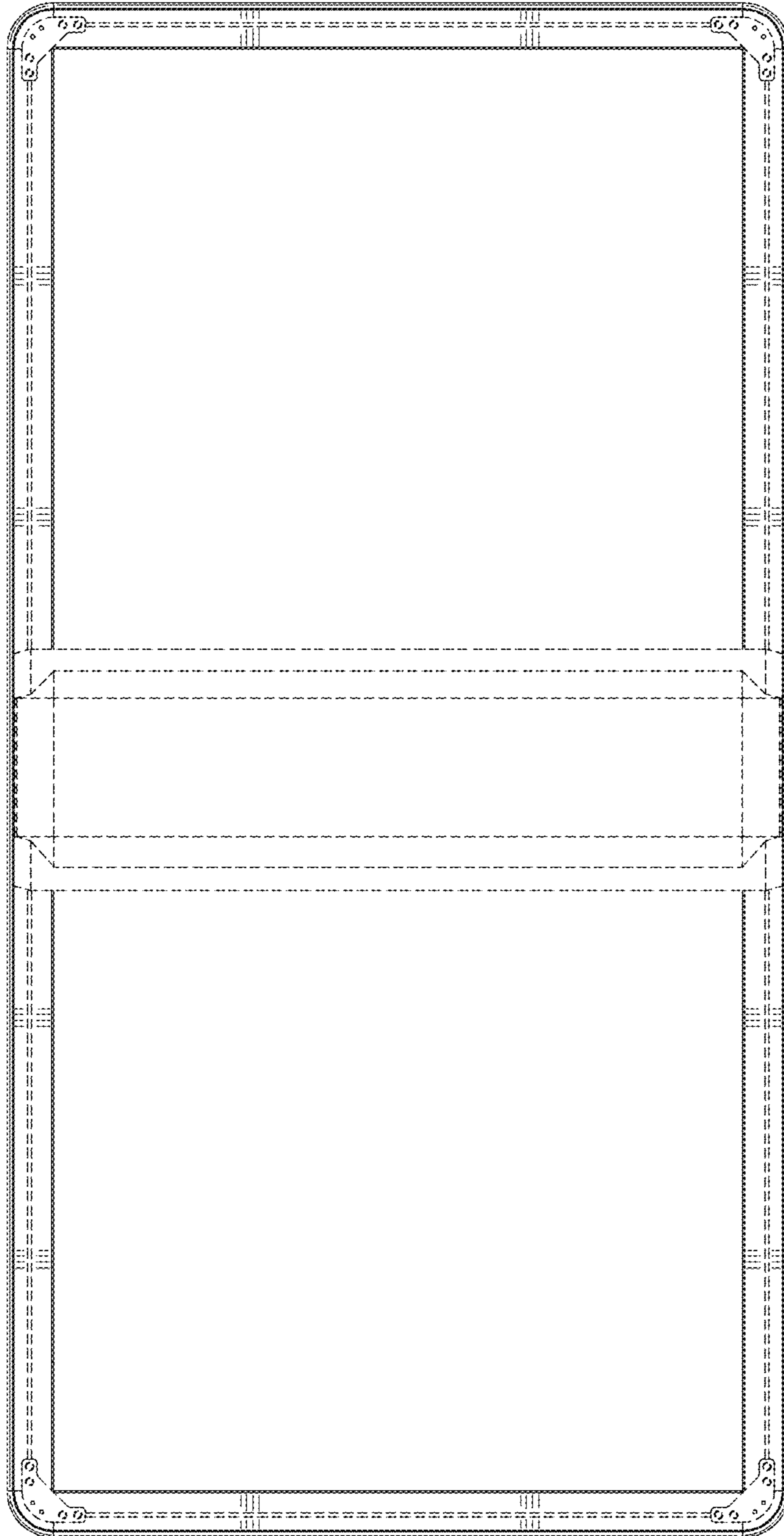


FIG. 4

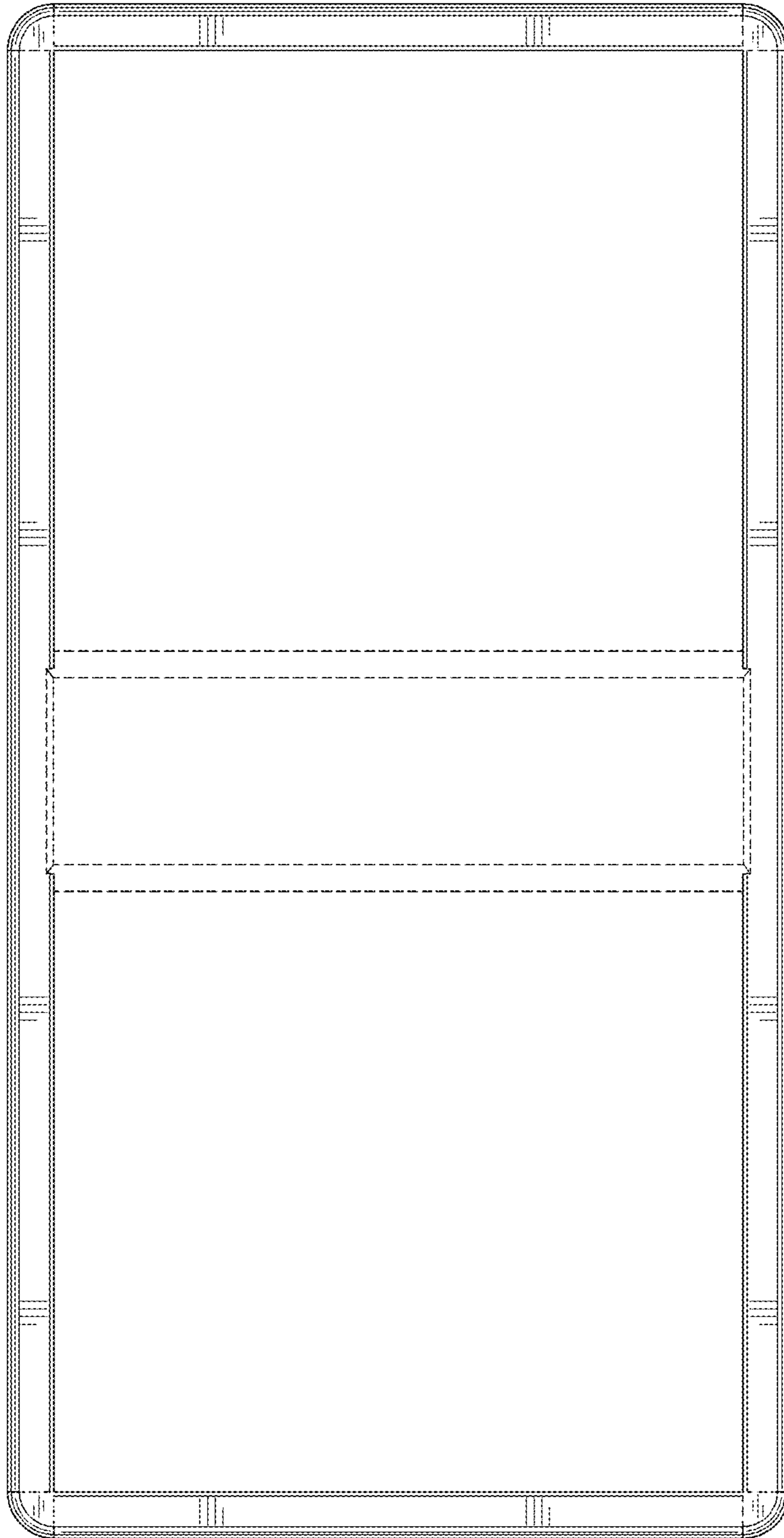


FIG. 5



FIG. 6

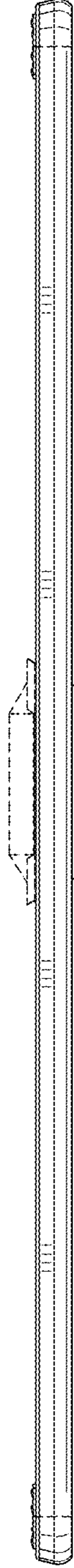


FIG. 7

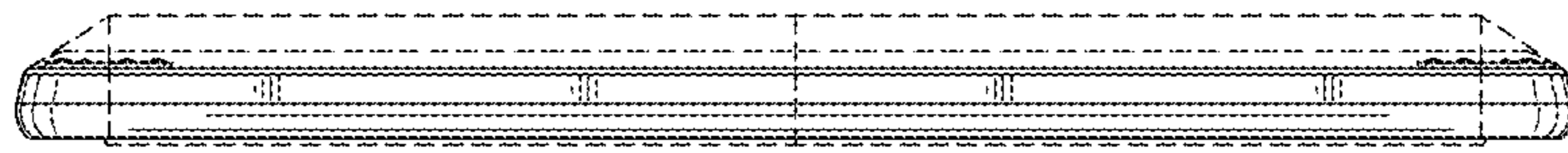


FIG. 8

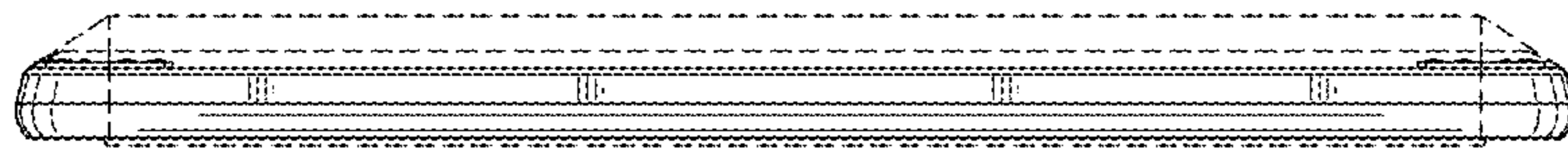


FIG. 9