



US00D776326S

(12) **United States Design Patent**  
**Van Winkle**

(10) **Patent No.:** **US D776,326 S**

(45) **Date of Patent:** **\*\* Jan. 10, 2017**

(54) **LED LIGHT FIXTURE**

(71) Applicant: **ETi Solid State Lighting Inc.**, Vernon Hills, IL (US)

(72) Inventor: **Gary Van Winkle**, Chagrin Falls, OH (US)

(73) Assignee: **ETi Solid State Lighting Inc.**, Vernon Hills, IL (US)

(\*\*) Term: **15 Years**

(21) Appl. No.: **29/549,751**

(22) Filed: **Dec. 28, 2015**

(51) **LOC (10) Cl.** ..... **26-03**

(52) **U.S. Cl.**  
USPC ..... **D26/89**

(58) **Field of Classification Search**  
USPC ..... D26/28, 67, 70, 72, 82-86, 88-91, 118,  
D26/128, 129, 132

(Continued)

(56) **References Cited**

**U.S. PATENT DOCUMENTS**

3,248,534 A 4/1966 Cahill et al.  
4,807,099 A 2/1989 Zelin

(Continued)

**FOREIGN PATENT DOCUMENTS**

CN 201547604 U 8/2010

*Primary Examiner* — Clare E Heflin

(74) *Attorney, Agent, or Firm* — Walter Haverfield LLP;  
D. Peter Hochberg; Sean F. Mellino

(57) **CLAIM**

The ornamental designs for the LED light fixture, as shown and described.

**DESCRIPTION**

FIG. 1 is a perspective bottom view of the LED light fixture according to a first embodiment of the invention;

FIG. 2 is a front side view of the LED light fixture shown in FIG. 1;

FIG. 3 is a reverse side view of the LED light fixture shown in FIG. 1, taken from the opposite side from that which FIG. 2 was taken;

FIG. 4 is a side view taken from a third side of the LED light fixture shown in FIG. 1;

FIG. 5 is a side view of the LED light fixture shown in FIG. 1, taken from the opposite side of the LED light fixture from that shown in FIG. 4;

FIG. 6 is a top view of the LED light fixture shown in FIG. 1;

FIG. 7 is a bottom view of the LED light fixture shown in FIG. 1;

FIG. 8 is a perspective bottom view of an LED light fixture according to a second embodiment of the invention;

FIG. 9 is a side view of an LED light fixture shown in FIG. 8;

FIG. 10 is a side view of the LED light fixture shown in FIG. 8, taken from the opposite side of the LED light fixture shown in FIG. 9;

FIG. 11 is a side view taken from a third side of the LED light fixture shown in FIG. 8;

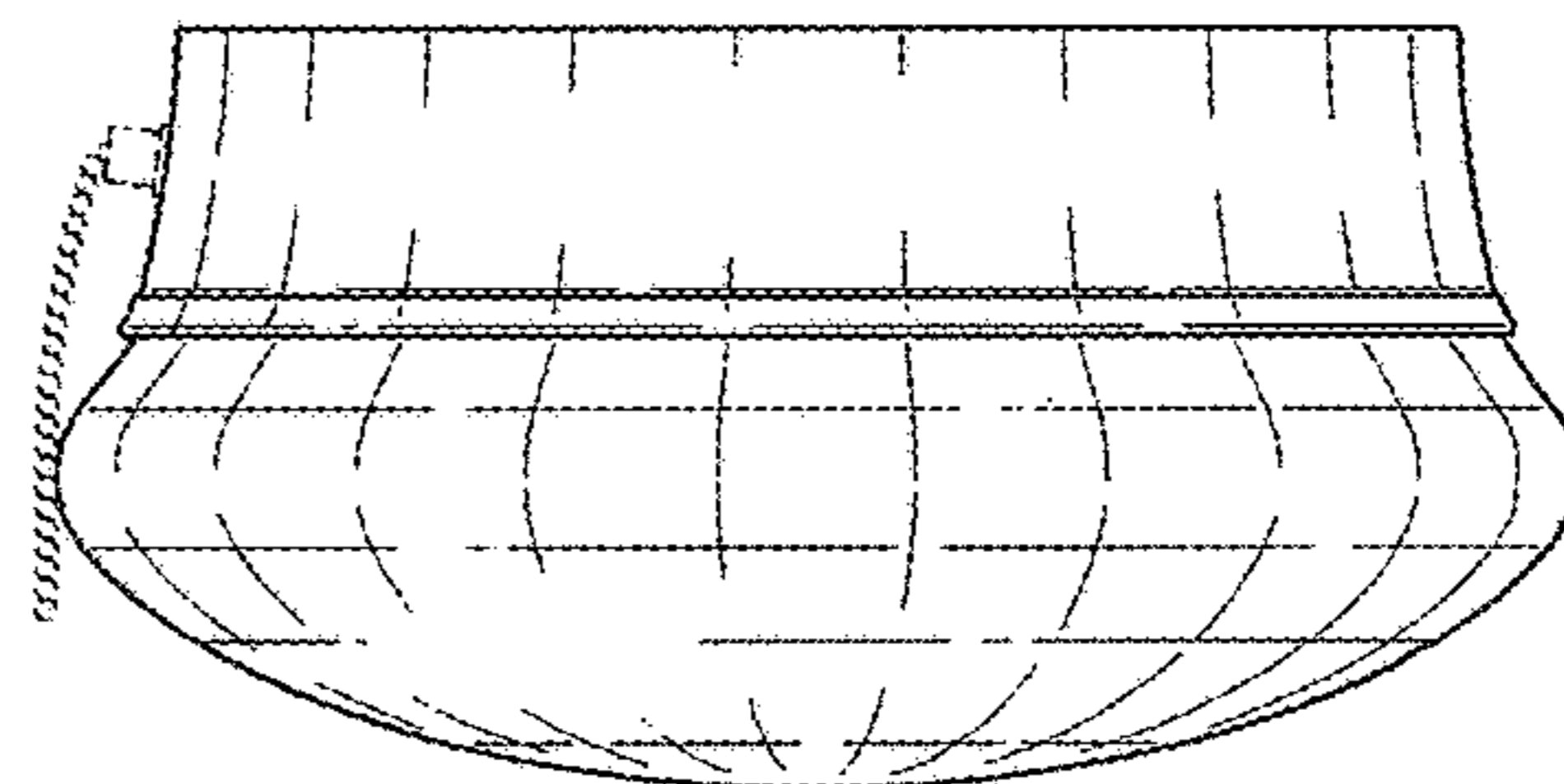
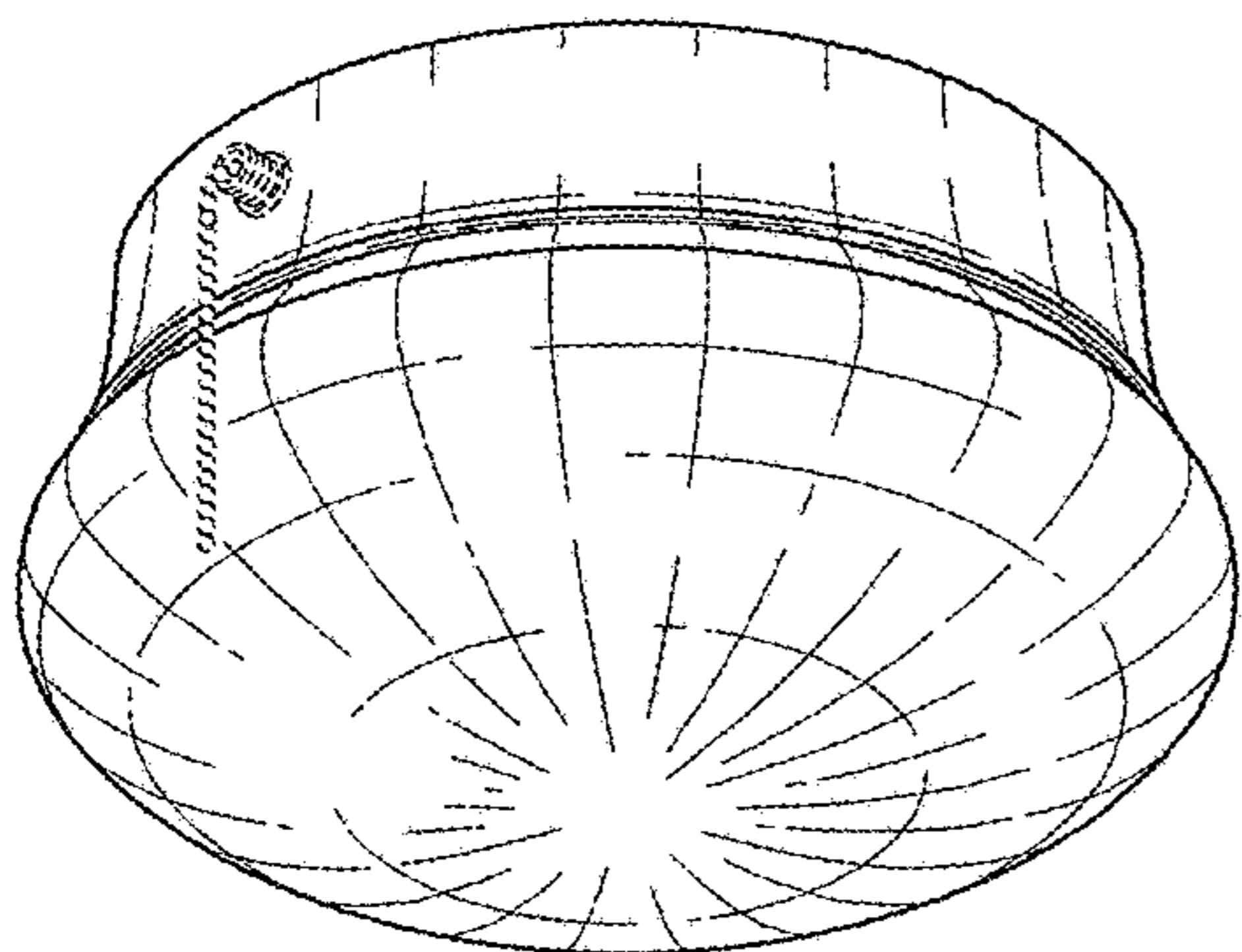
FIG. 12 is a side view of the LED light fixtures shown in FIG. 8, taken from the opposite side of the LED light fixture from that shown in FIG. 11.

FIG. 13 is a top view of the LED light fixture shown in FIG. 8; and,

FIG. 14 is a bottom view of the LED light fixture shown in FIG. 8.

The broken lines shown on the drawings depict portions of the LED lighting fixture that form no part of the claimed design.

**1 Claim, 8 Drawing Sheets**



(58) **Field of Classification Search**

CPC ..... F21S 8/06; F21S 8/061; F21S 8/063;  
F21S 8/065; F21S 8/068; F21V 3/0418;  
F21V 3/0427; F21V 3/0436; F21V  
3/0445; F21V 21/008; F21V 21/104

See application file for complete search history.

(56) **References Cited**

U.S. PATENT DOCUMENTS

D339,204	S *	9/1993	Holbrook .....	D26/85
D354,369	S *	1/1995	Pearce .....	D26/130
5,929,788	A	7/1999	Vukosic	
D461,272	S *	8/2002	Davis, Jr. ....	D26/128
D514,733	S *	2/2006	Benensohn .....	D26/89
D540,957	S	4/2007	Mama	
7,658,510	B2	2/2010	Russell	
7,703,934	B2	4/2010	Pape et al.	
7,712,925	B2	5/2010	Russell	
D698,480	S *	1/2014	Moeller .....	D26/89
8,672,496	B2	3/2014	O’Kane	
D729,970	S *	5/2015	Jepson .....	D26/89
2005/0243550	A1	11/2005	Stekelenburg	
2006/0146527	A1	7/2006	VanderSchuit	
2014/0056026	A1	2/2014	Boomgaarden et al.	
2016/0018093	A1*	1/2016	Van Winkle .....	F21V 23/006 362/311.02

\* cited by examiner

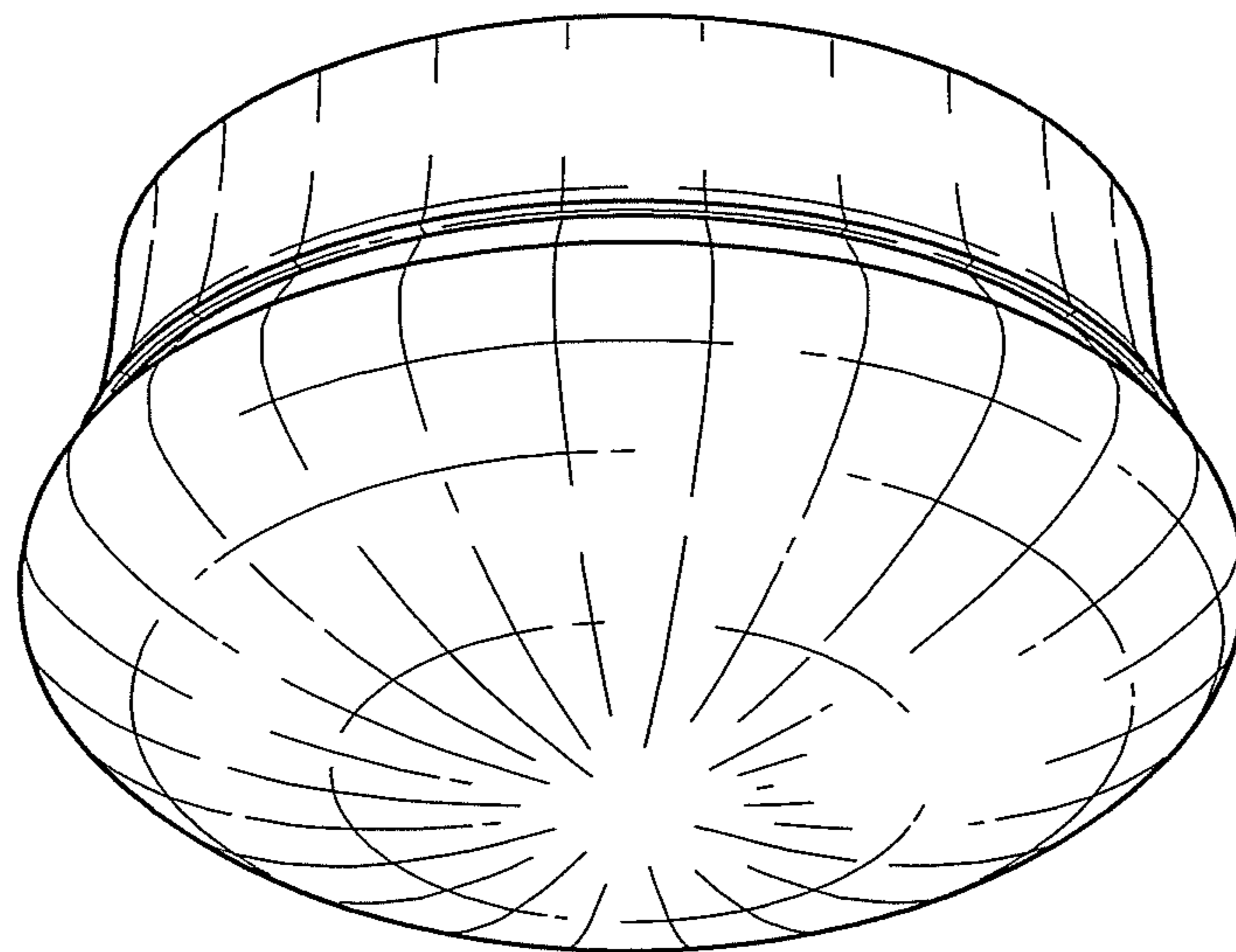


FIG. 1

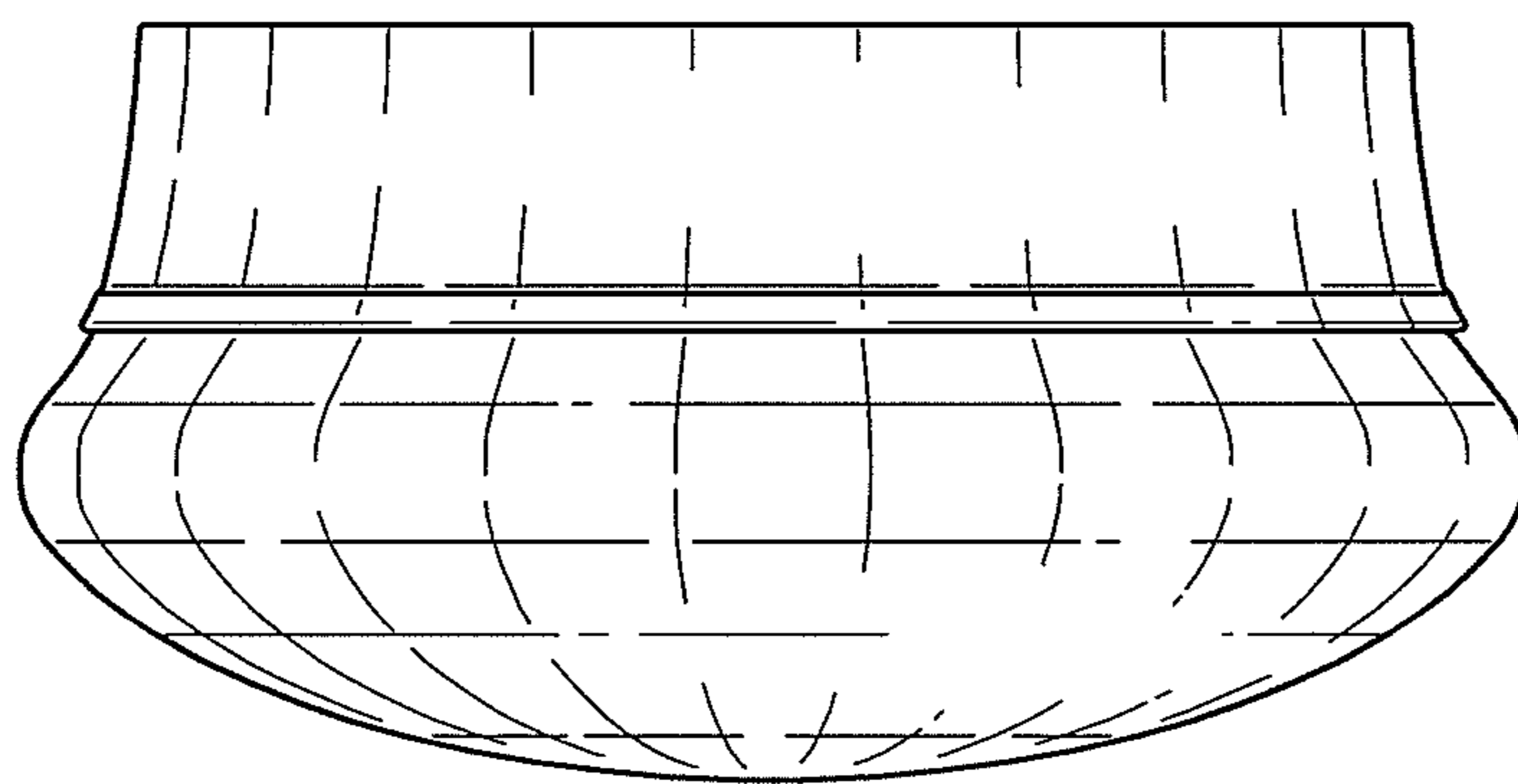


FIG. 2

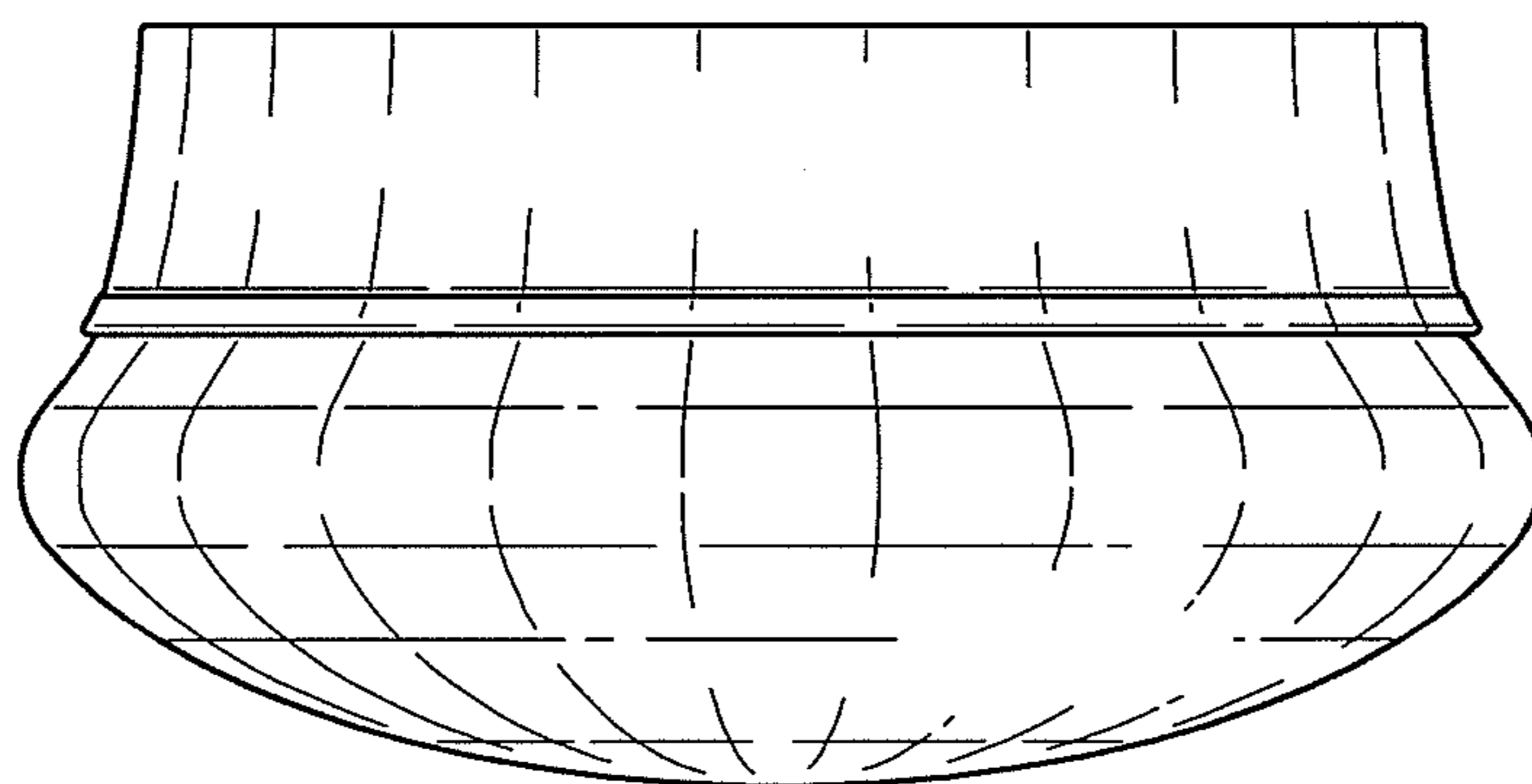


FIG. 3

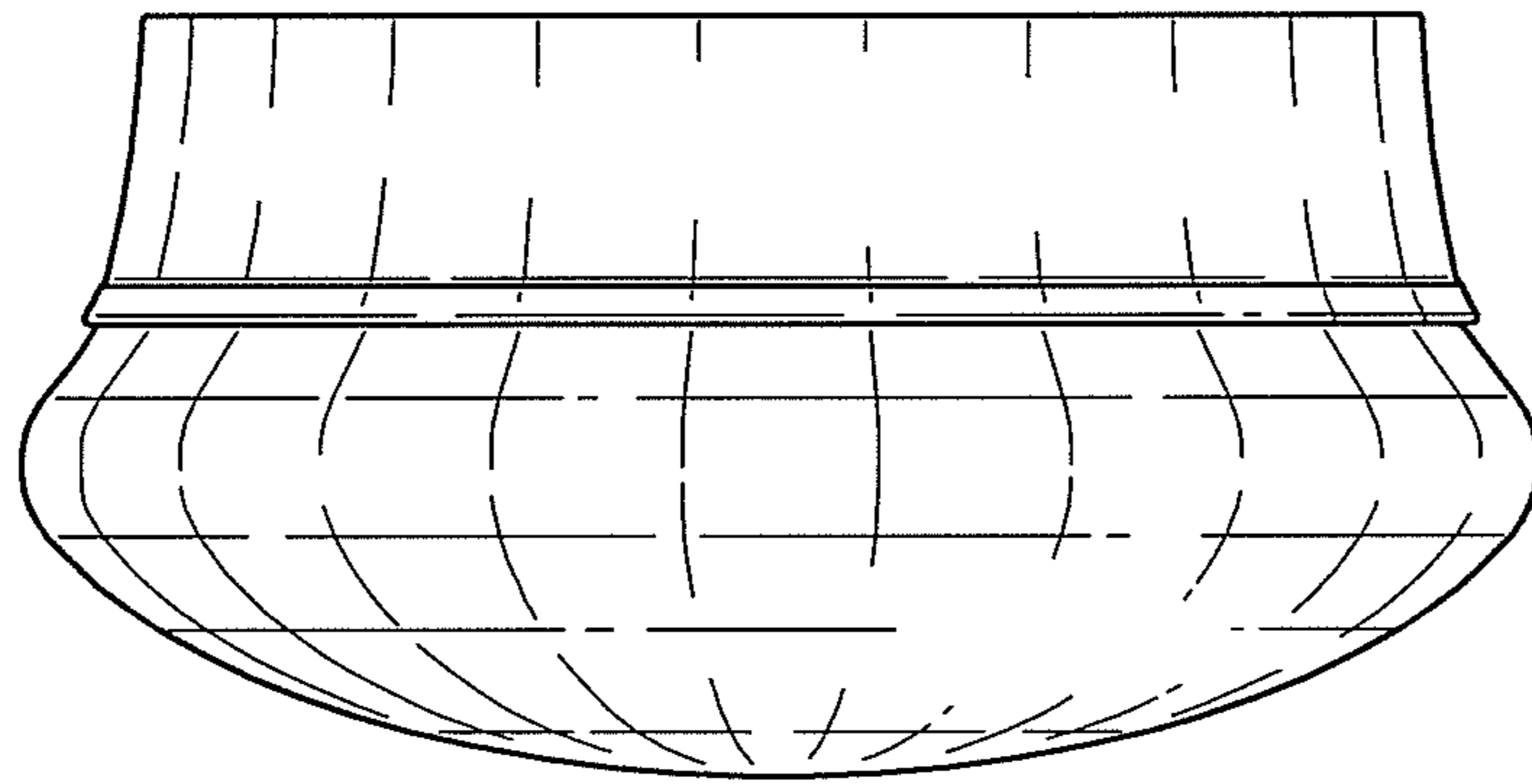


FIG. 4

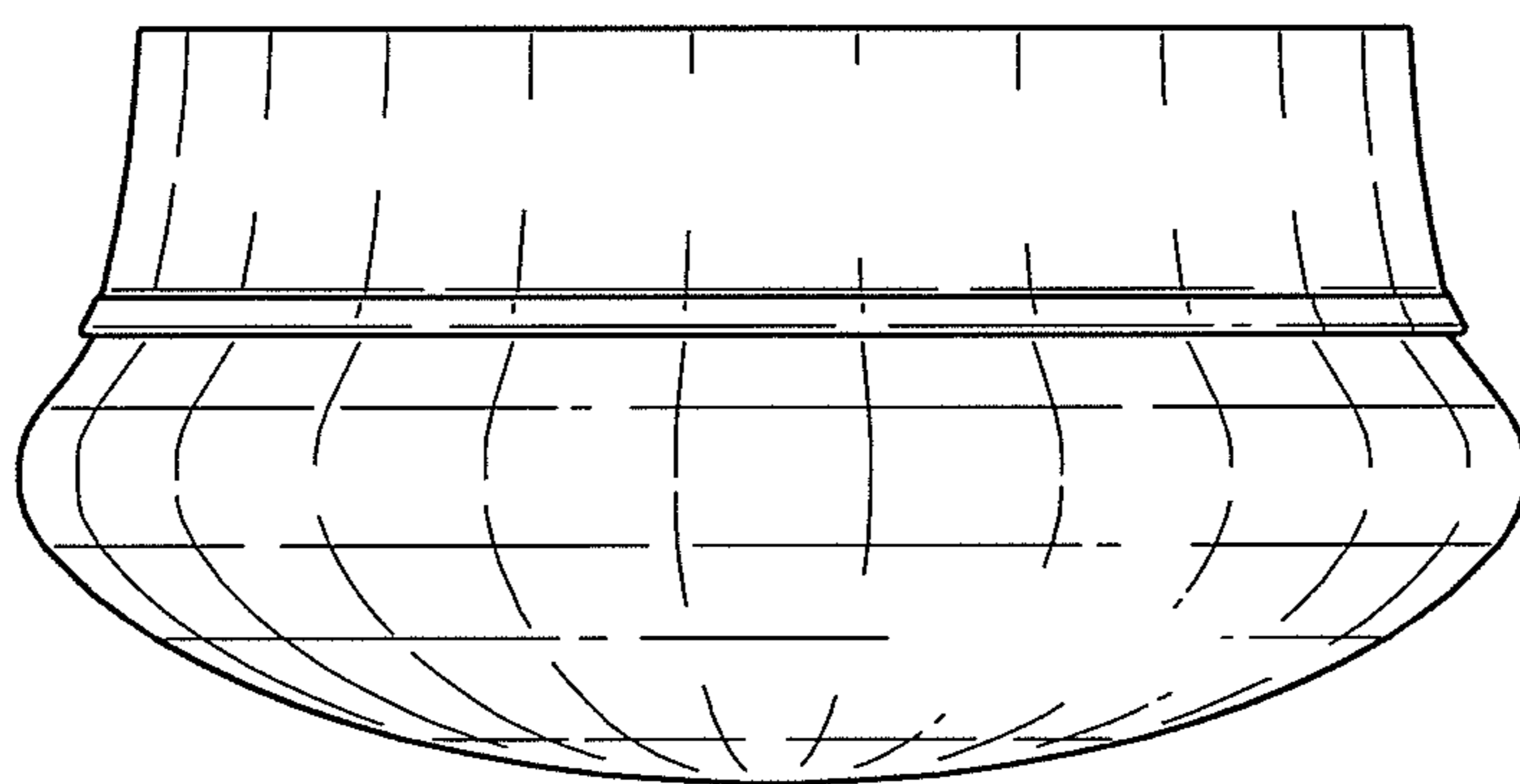


FIG. 5

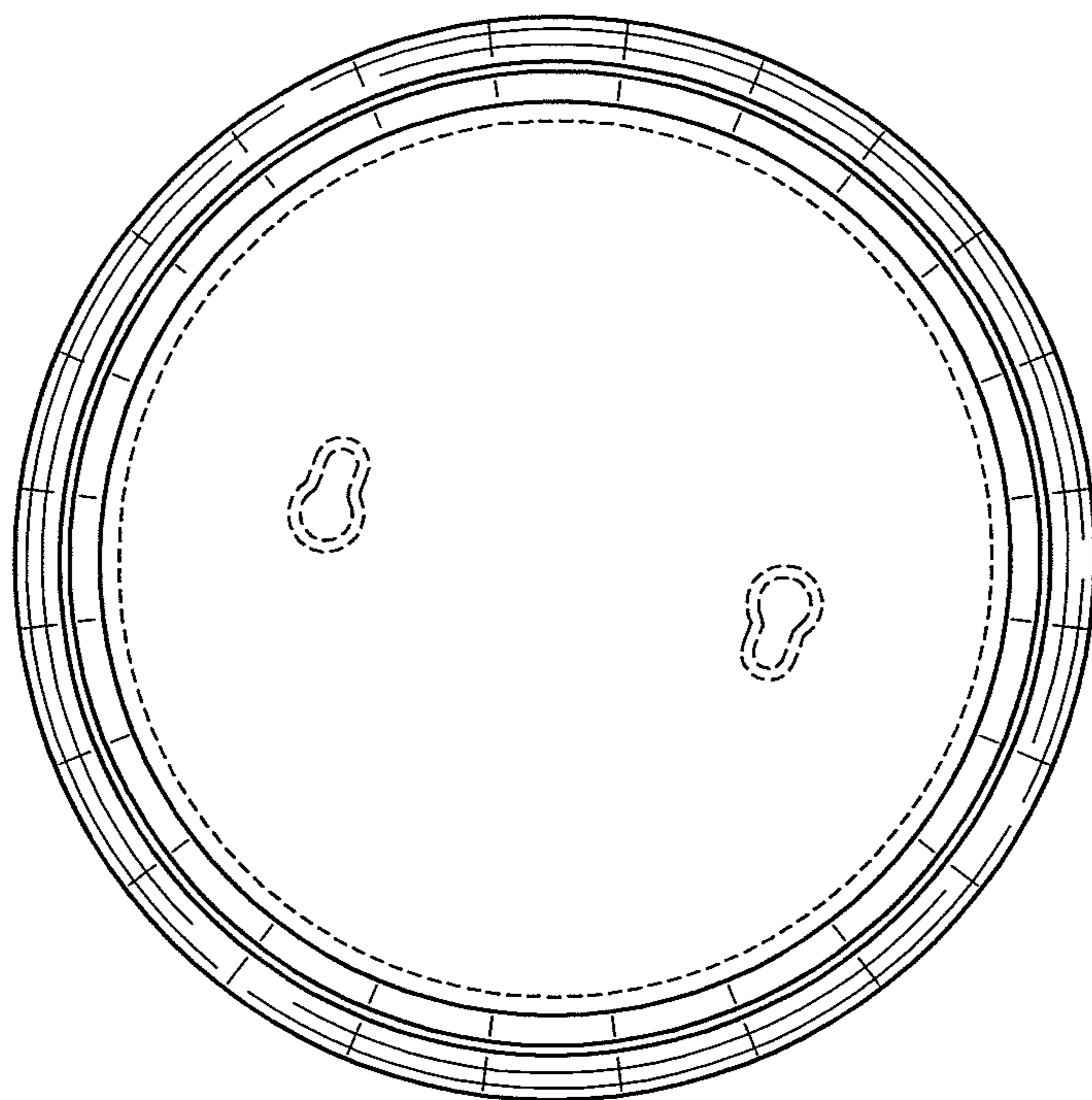


FIG. 6

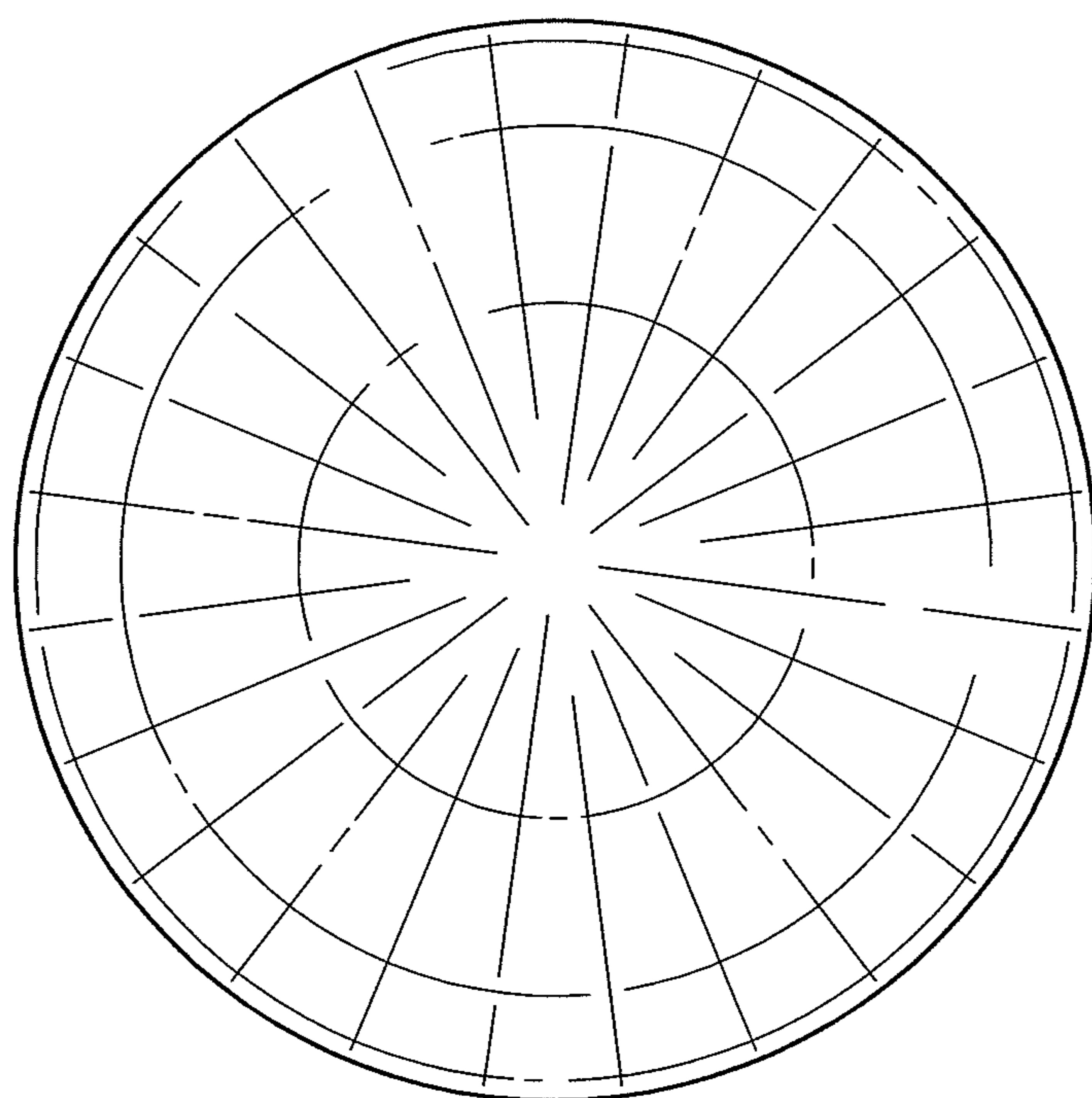


FIG. 7

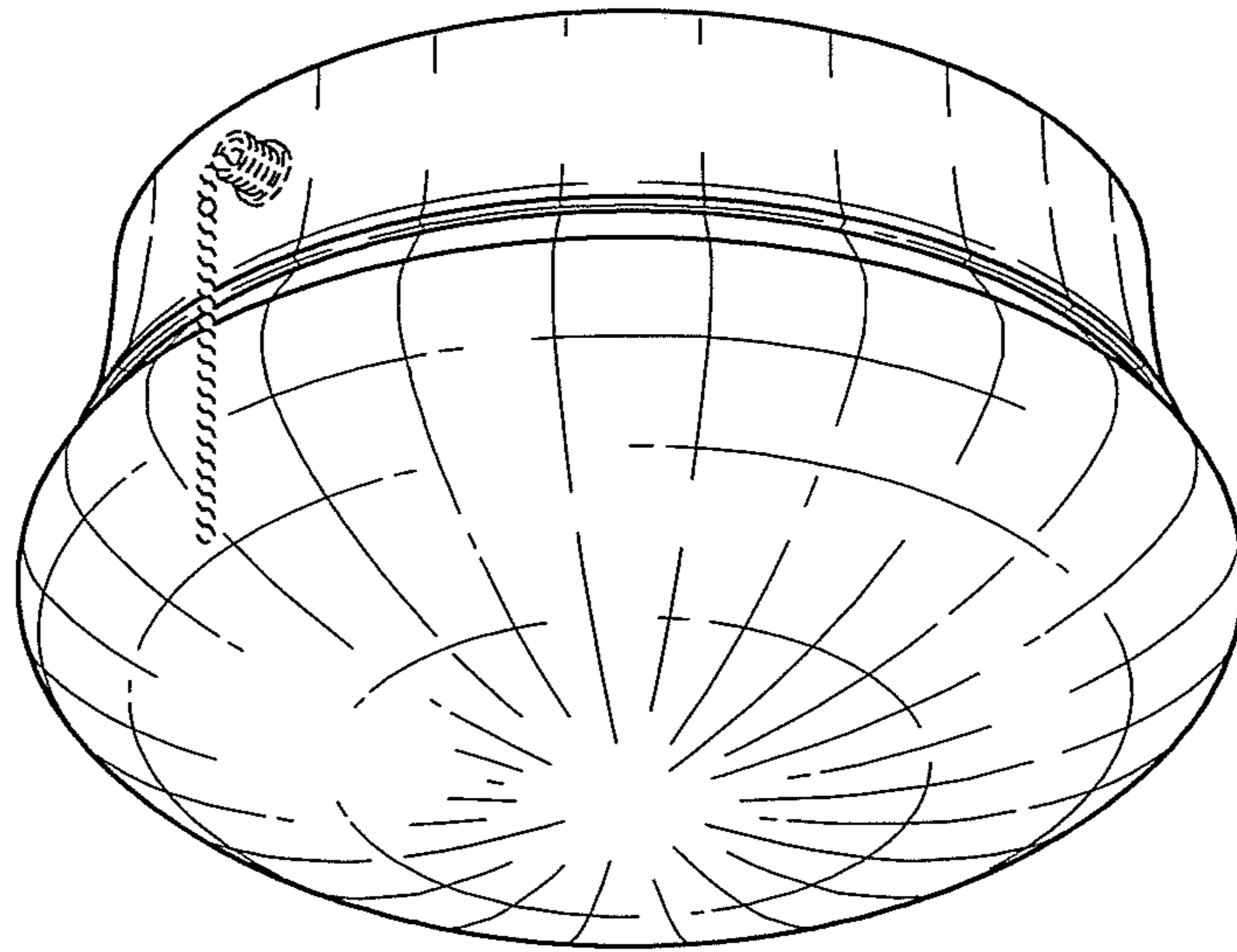


FIG. 8

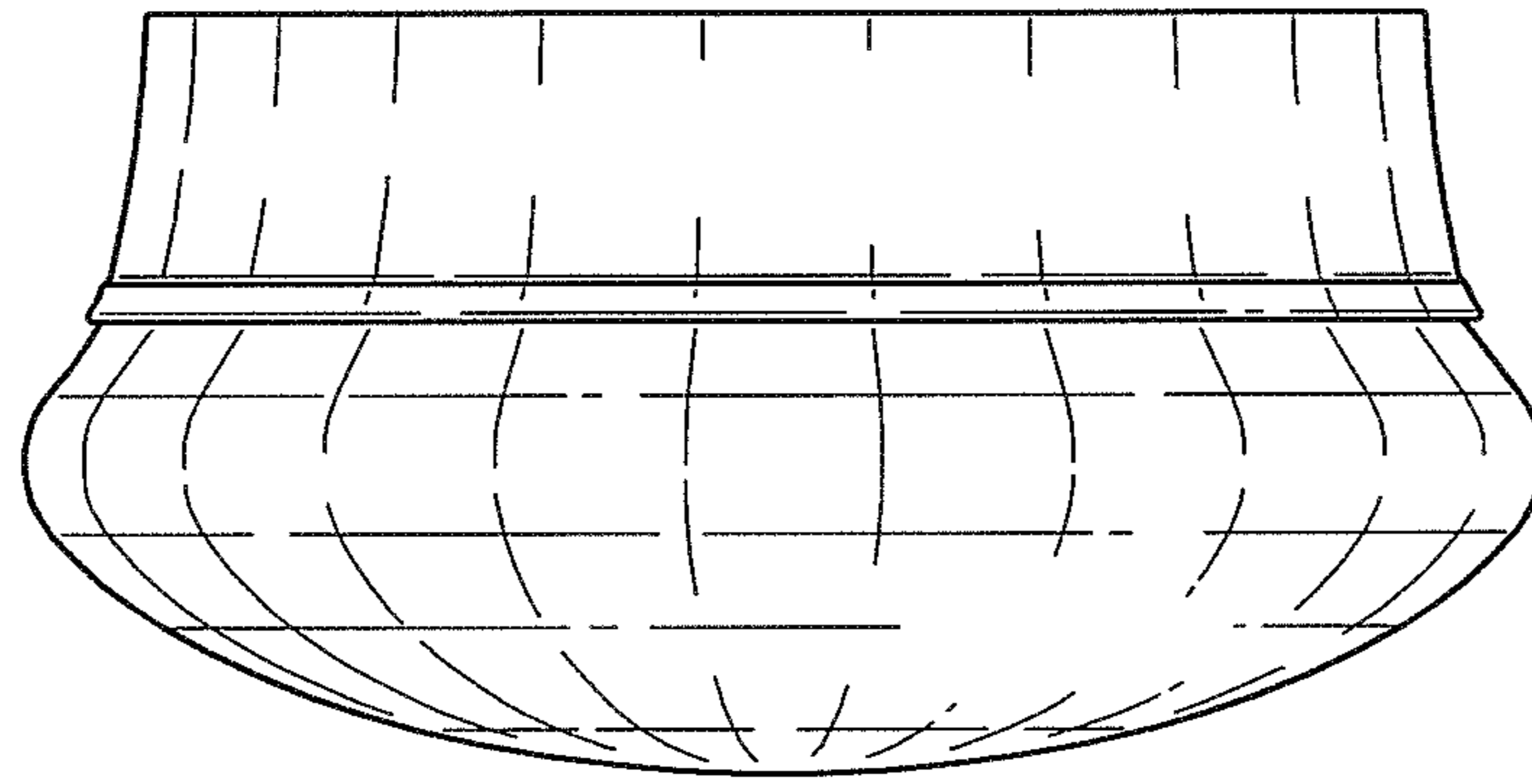


FIG. 9

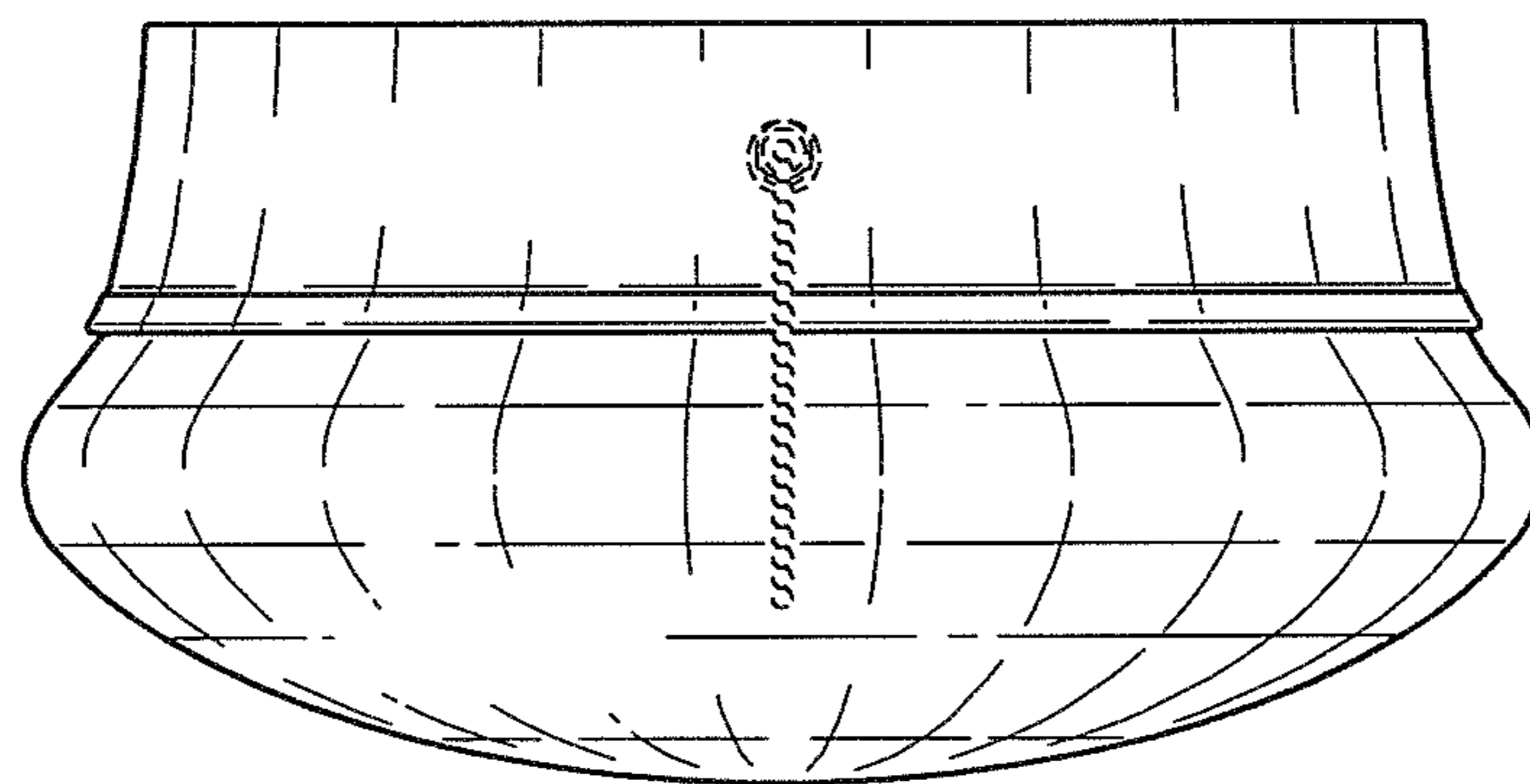


FIG. 10



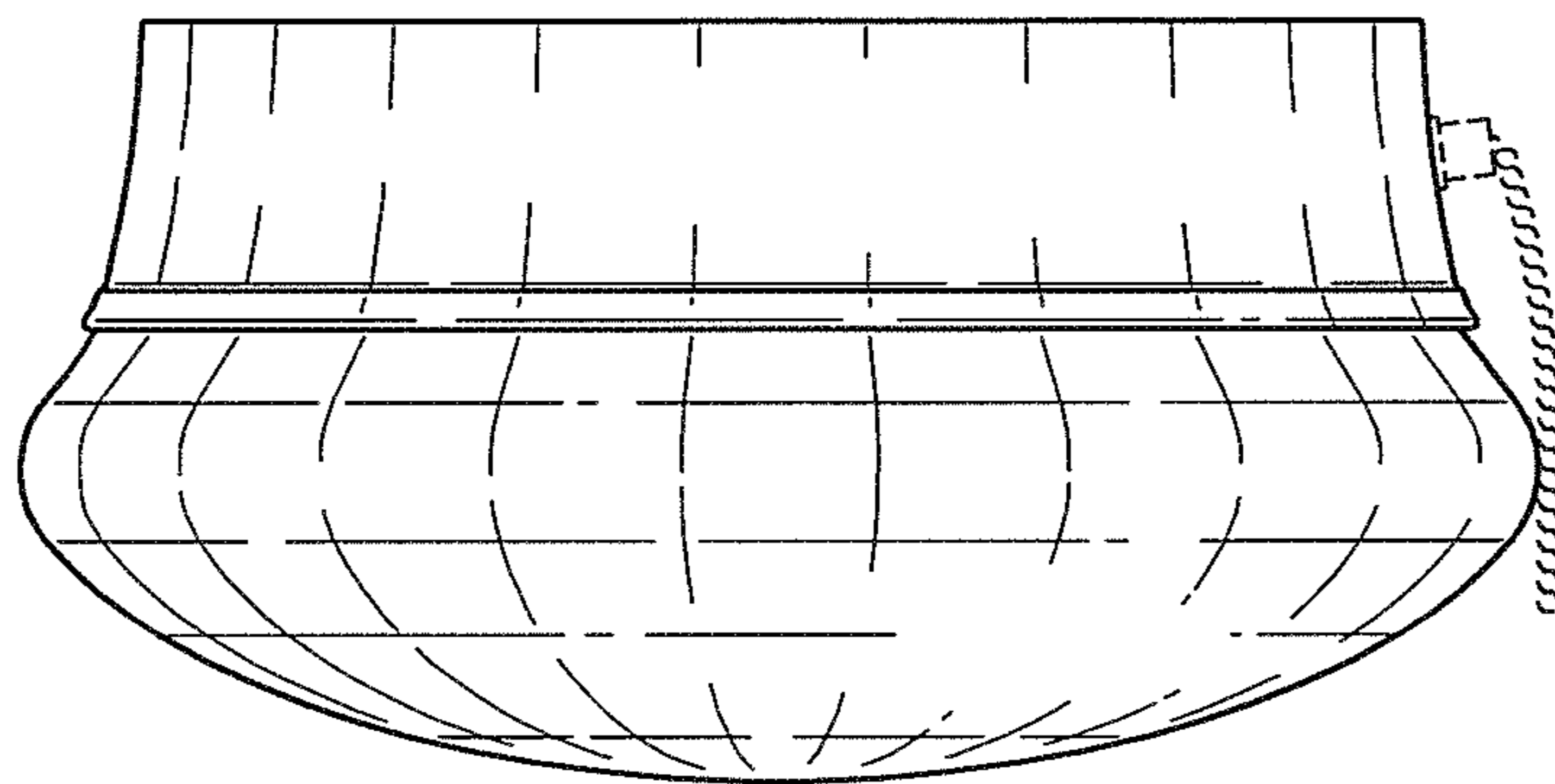


FIG. 11

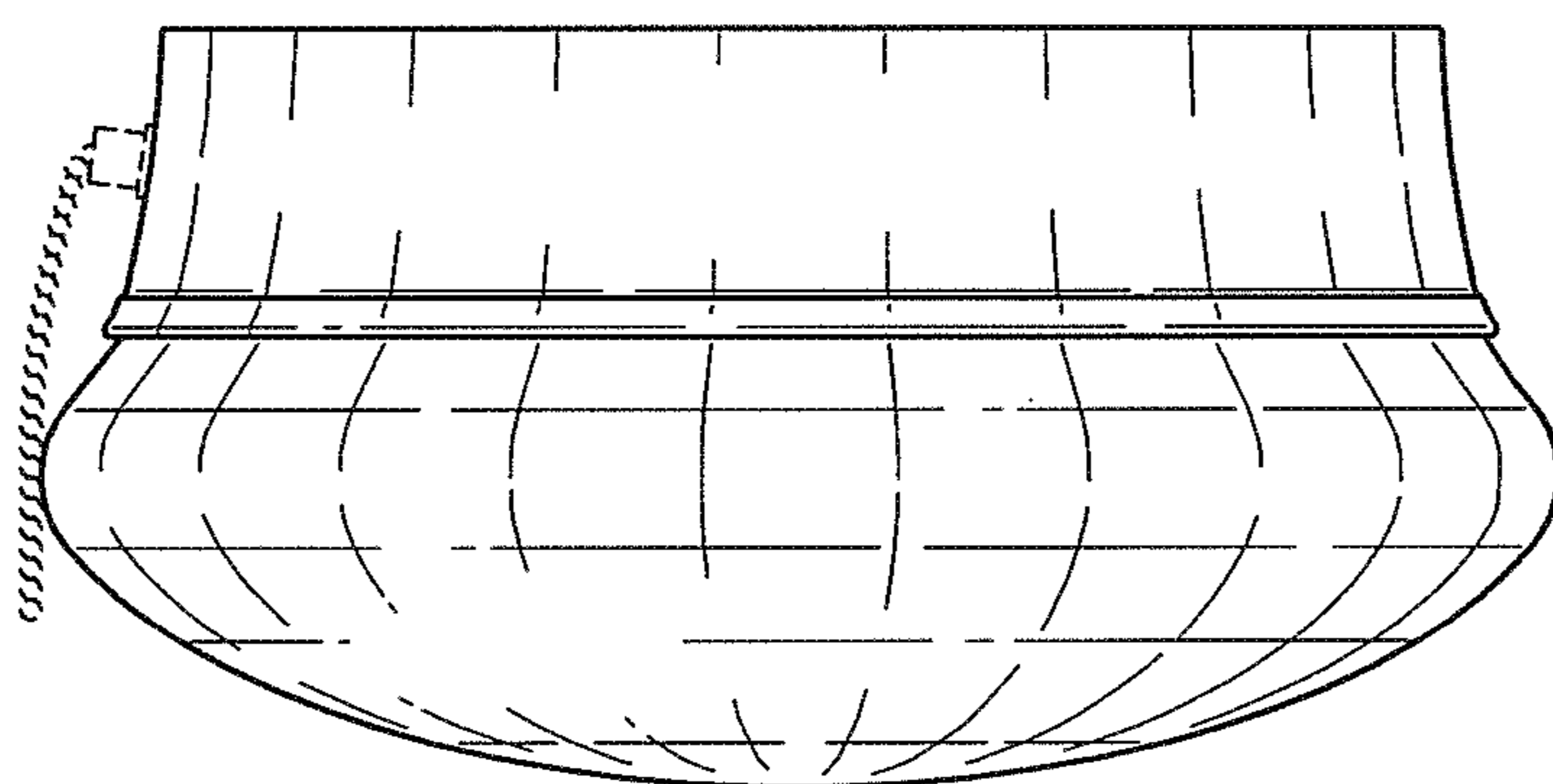


FIG. 12

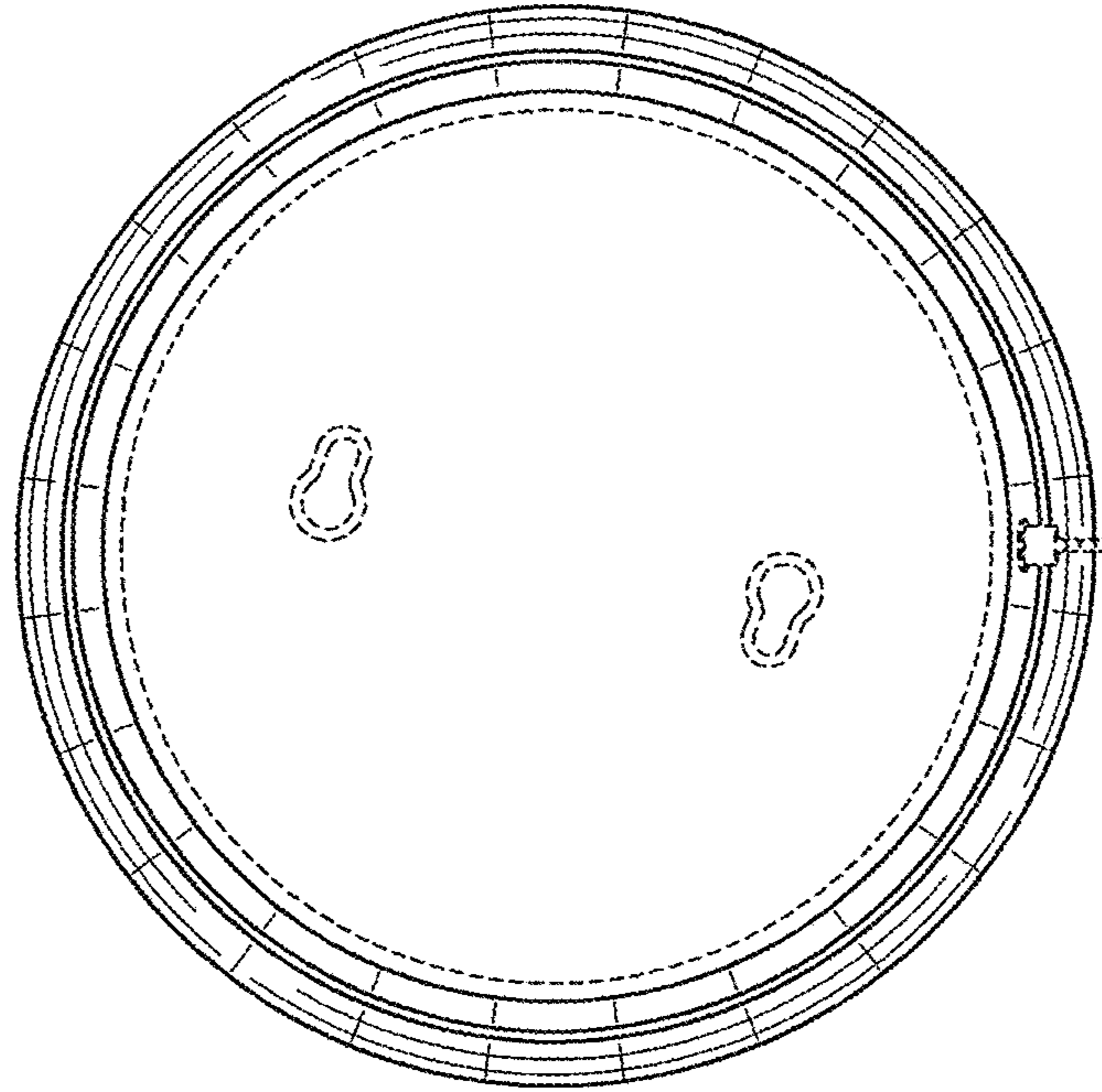


FIG. 13

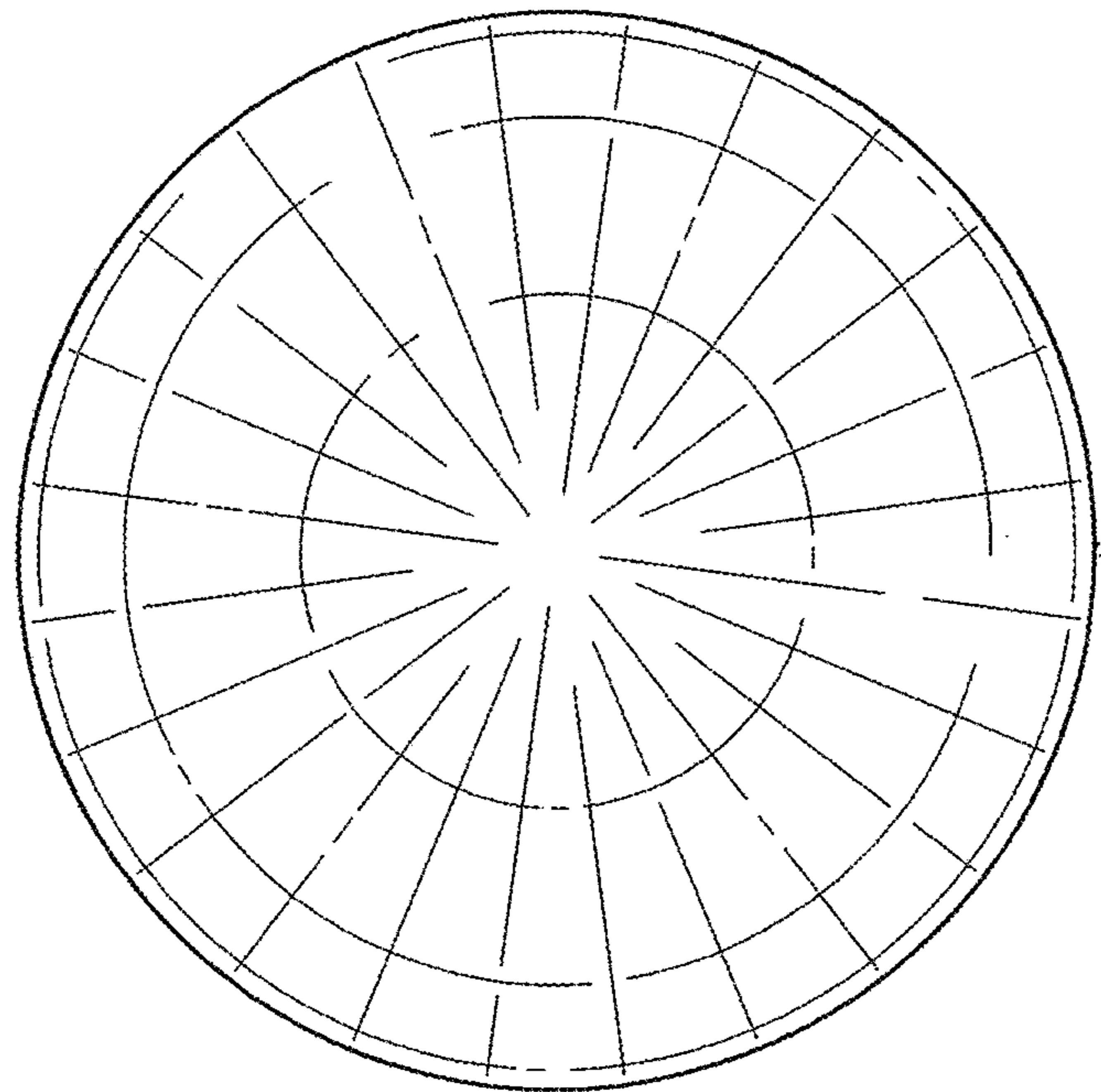


FIG. 14