



US00D776325S

(12) **United States Design Patent**
Jeswani et al.

(10) **Patent No.:** **US D776,325 S**
(45) **Date of Patent:** **** Jan. 10, 2017**

- (54) **DOWNLIGHT LUMINAIRE**
- (71) Applicant: **LEDVANCE LLC**, Wilmington, MA (US)
- (72) Inventors: **Anil Jeswani**, Beverly, MA (US);
Chenhui Long, Ningbo (CN)
- (73) Assignee: **LEDVANCE LLC**, Wilmington, MA (US)
- (**) Term: **15 Years**
- (21) Appl. No.: **29/532,703**
- (22) Filed: **Jul. 9, 2015**
- (51) **LOC (10) Cl.** **26-05**
- (52) **U.S. Cl.**
USPC **D26/74**
- (58) **Field of Classification Search**
USPC D26/74, 72, 75, 76, 77, 78, 85, 88, 89,
D26/118, 138, 141; 362/364, 365, 373,
362/145, 146, 147, 148, 150, 153, 153.1,
362/294, 296.01, 296.07, 296.08
CPC F21V 29/2262; F21V 7/06; F21V 21/044;
F21V 21/047; F21V 29/2212; F21V
29/2225; F21V 29/2256; F21V 29/225;
F21V 29/2268; F21Y 2111/002; F21S
8/02; F21S 8/026
See application file for complete search history.

D679,043 S *	3/2013	Jeswani	D26/74
D681,860 S *	5/2013	Soni	D26/74
D681,861 S *	5/2013	Soni	D26/74
D681,862 S *	5/2013	Soni	D26/74
D681,863 S *	5/2013	Chen	D26/74
D684,288 S *	6/2013	Gielen	D26/74
D686,769 S *	7/2013	Petroski	D26/74
D706,479 S *	6/2014	Jeswani	D26/74
D762,906 S *	8/2016	Jeswani	D26/74
D762,907 S *	8/2016	Jeswani	D26/74

* cited by examiner

Primary Examiner — Angela J Lee

(74) *Attorney, Agent, or Firm* — Andrew Martin

(56) **References Cited**
U.S. PATENT DOCUMENTS

D678,584 S	3/2013	Schmitt et al.	
D678,585 S *	3/2013	Schmitt D26/74

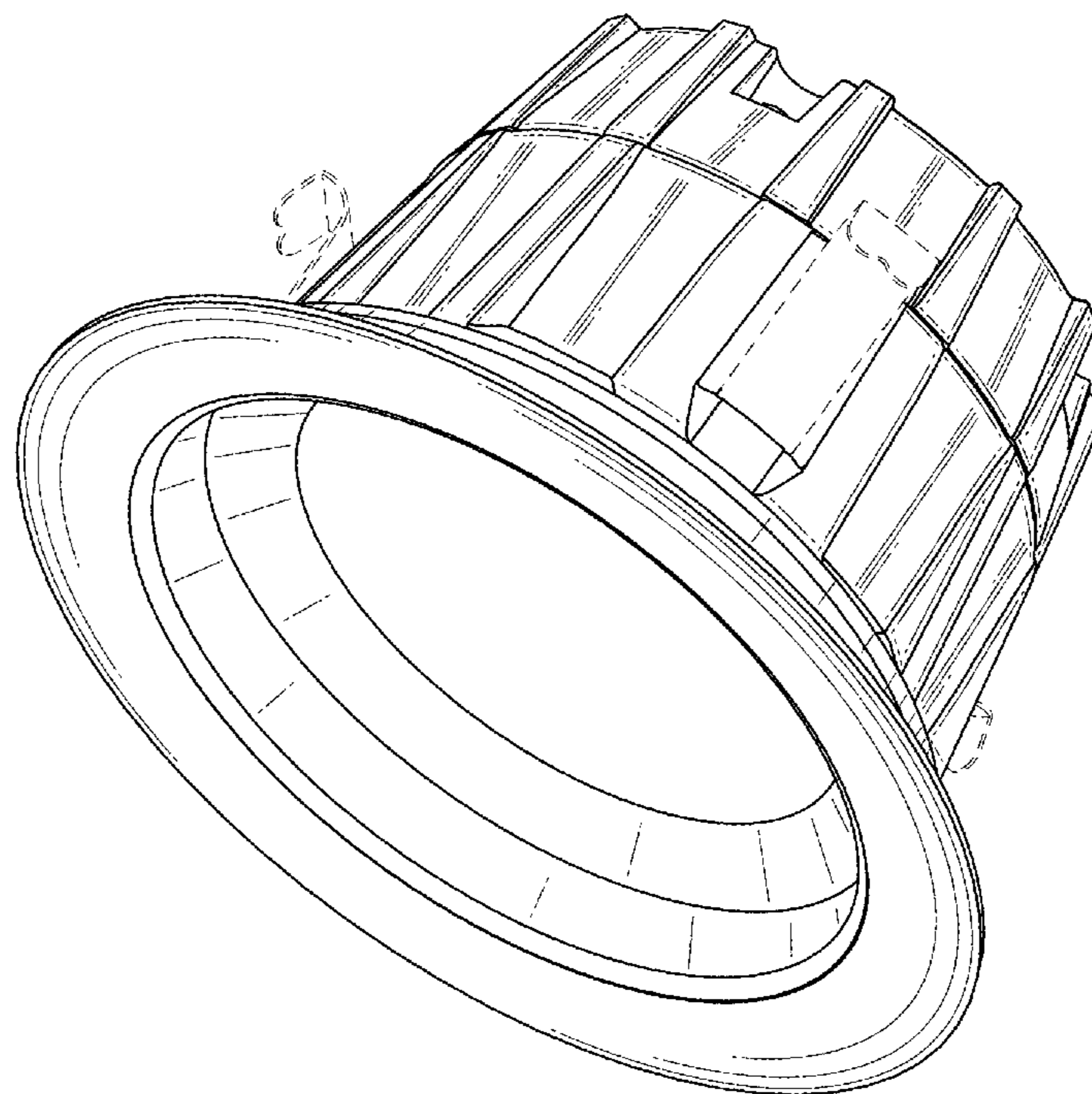
(57) **CLAIM**

The ornamental design for a downlight luminaire, as shown and described.

DESCRIPTION

FIG. 1 is a front perspective view of the ornamental design for the downlight luminaire;
 FIG. 2 is a front view thereof;
 FIG. 3 is a right side elevational view thereof;
 FIG. 4 is a first side elevational view seen rotated 45 degrees from the view of FIG. 3;
 FIG. 5 is a second side elevational view seen rotated 45 degrees from the view of FIG. 4;
 FIG. 6 is a rear view thereof; and,
 FIG. 7 is a rear perspective view thereof.
 The broken line disclosure is for environmental purposes only, and does not form a part of the claimed design.

1 Claim, 7 Drawing Sheets



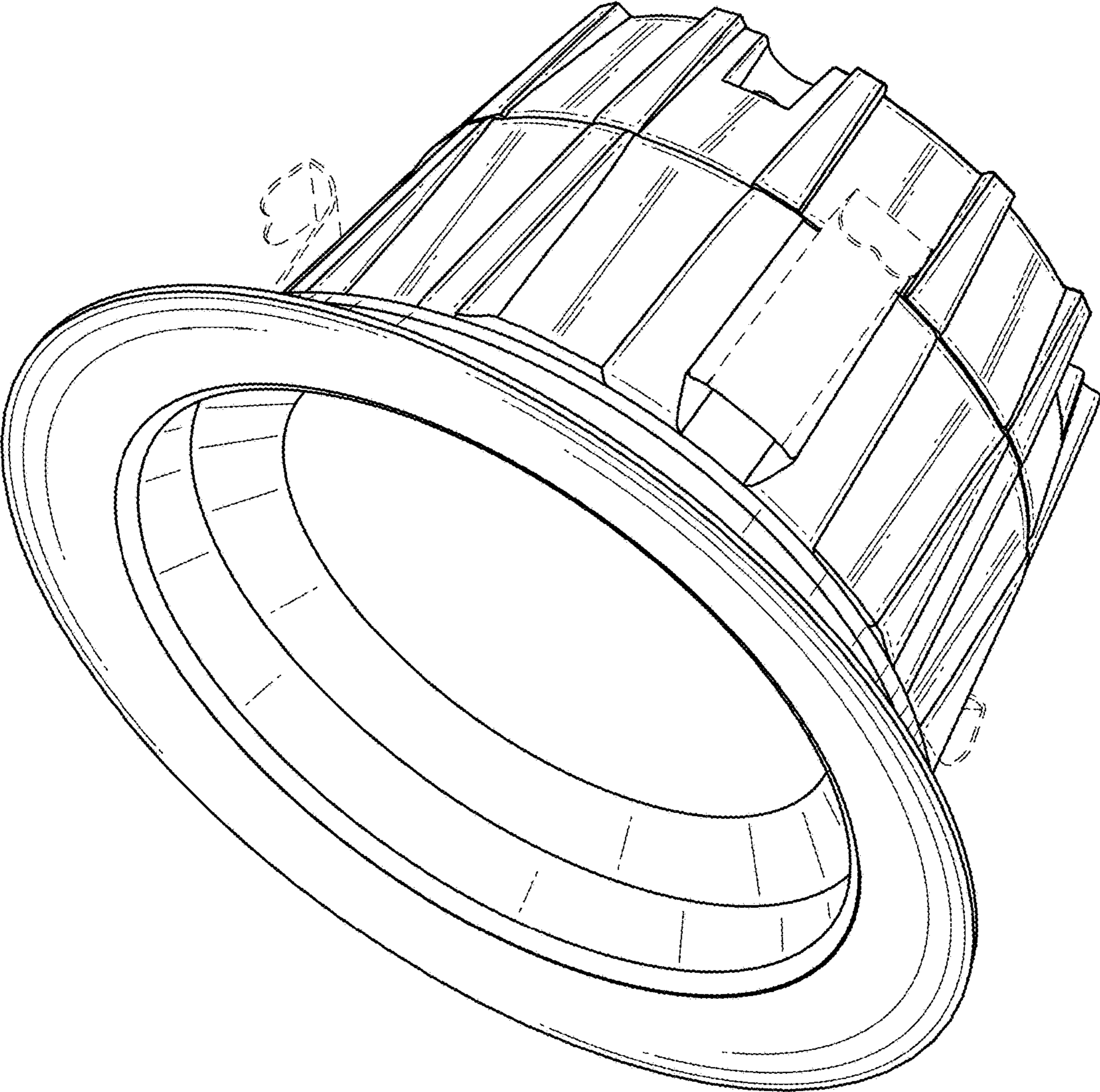


FIG. 1

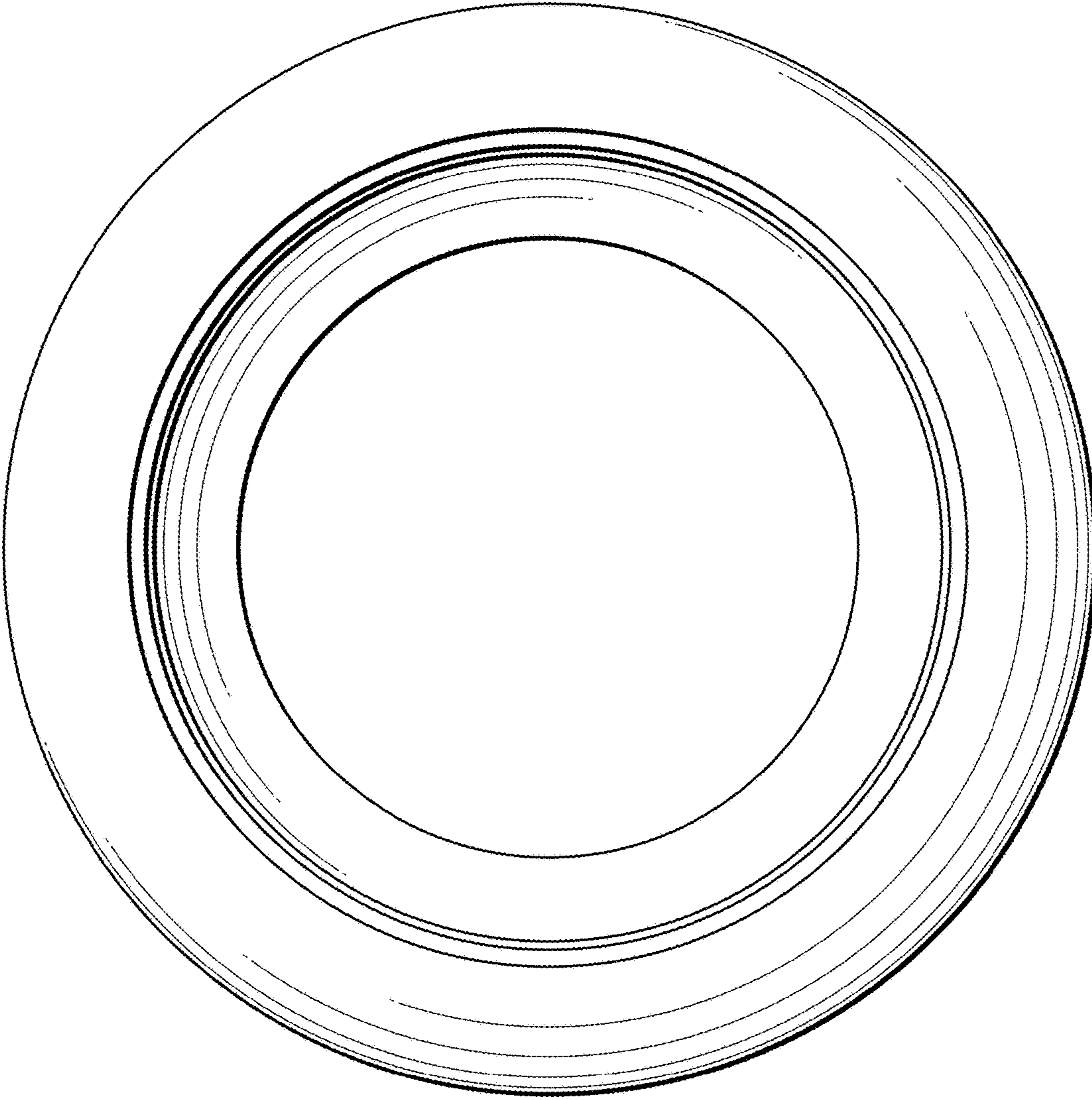


FIG. 2

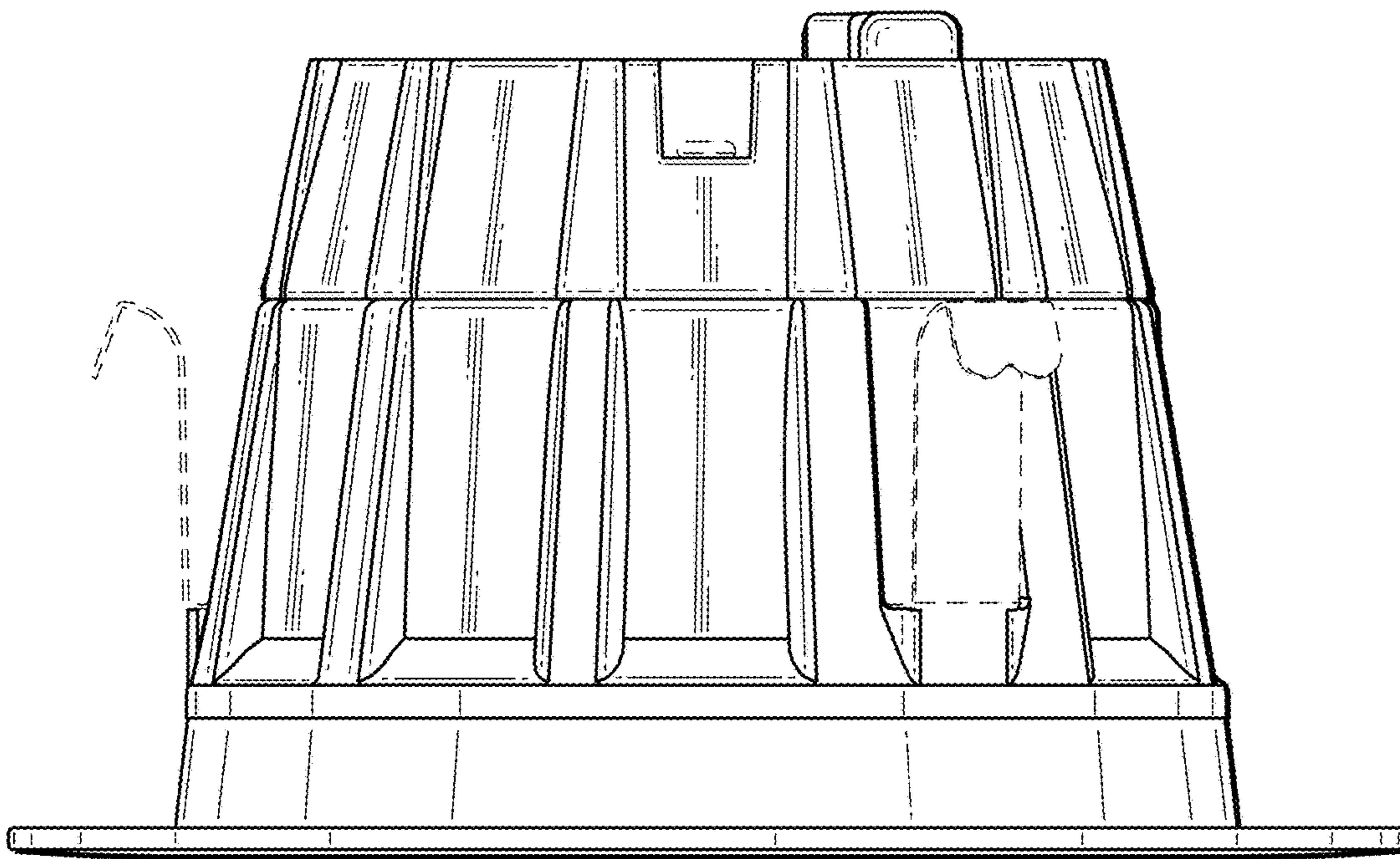


FIG. 3

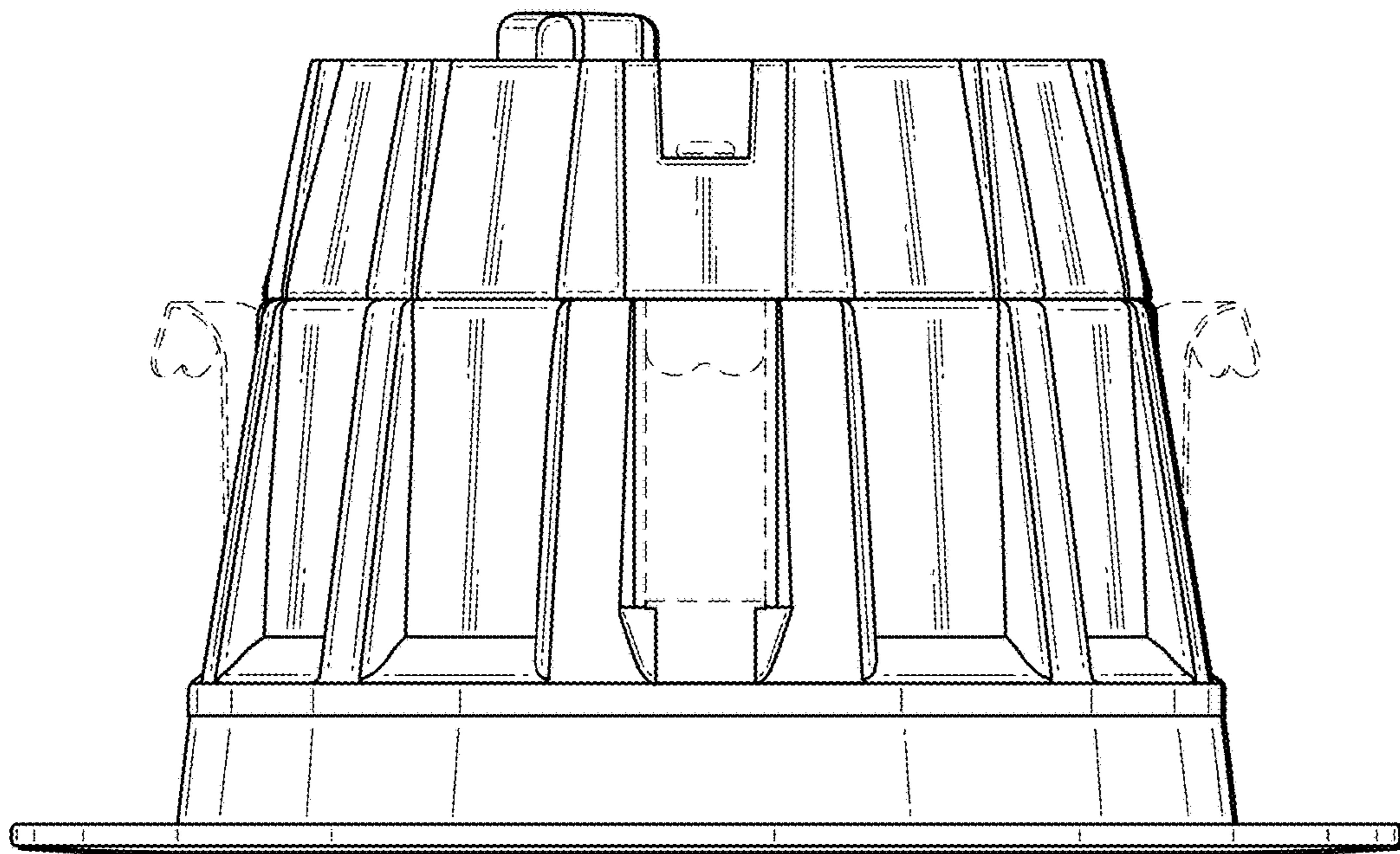


FIG. 4

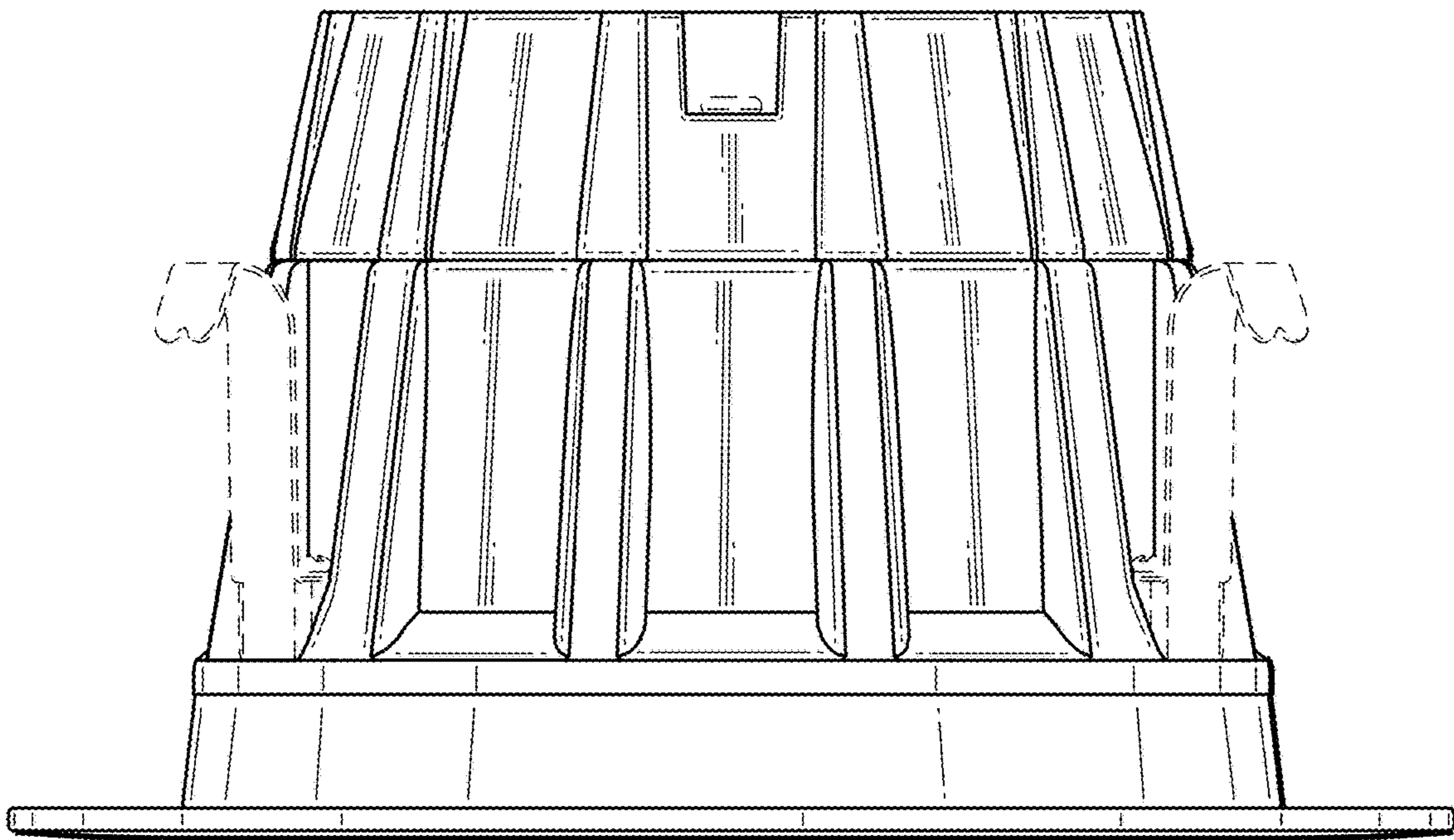


FIG. 5

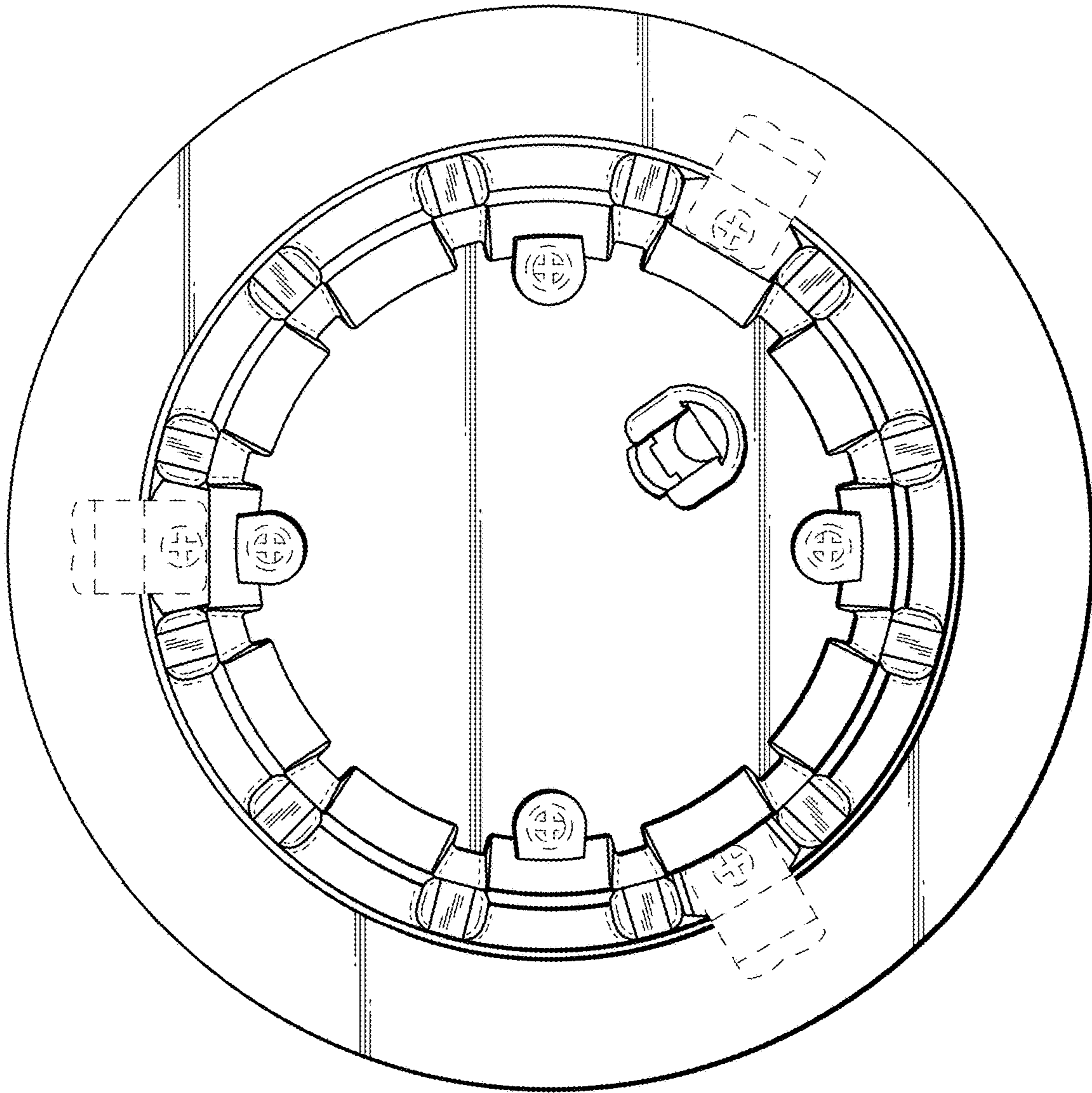


FIG. 6

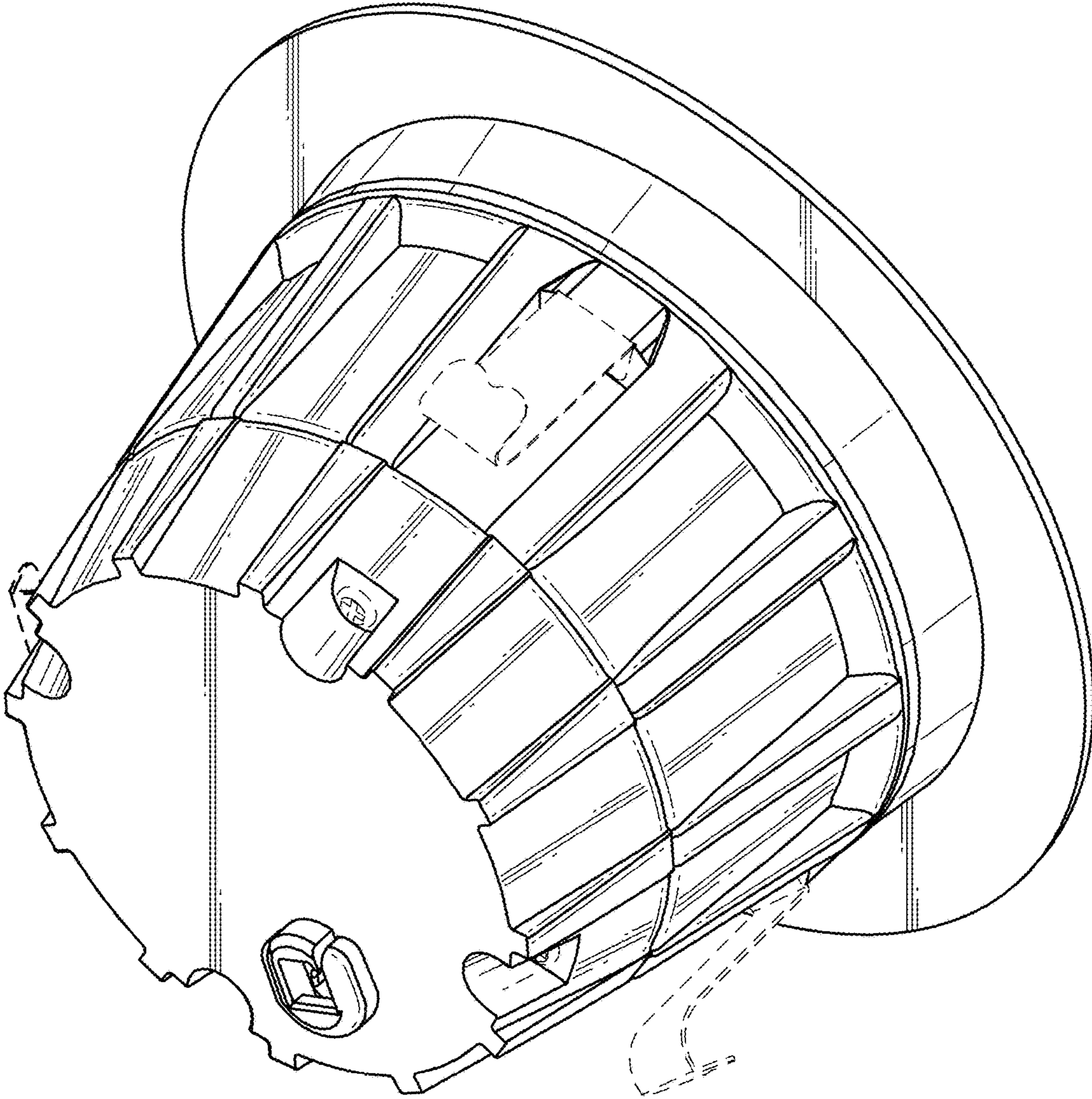


FIG. 7