



US00D776324S

(12) **United States Design Patent**
Gierl et al.

(10) **Patent No.:** **US D776,324 S**
(45) **Date of Patent:** **** Jan. 10, 2017**

(54) **LED RECESSED LIGHT APPARATUS**

(71) Applicant: **Cree, Inc.**, Durham, NC (US)

(72) Inventors: **Kevin Gierl**, Cary, NC (US); **Nathan Snell**, Raleigh, NC (US)

(73) Assignee: **Cree, Inc.**, Durham, NC (US)

(**) Term: **14 Years**

(21) Appl. No.: **29/523,265**

(22) Filed: **Apr. 8, 2015**

(51) **LOC (10) Cl.** **26-05**

(52) **U.S. Cl.**
USPC **D26/74**

(58) **Field of Classification Search**

USPC D26/74, 72, 75, 76, 77, 78, 85, 88, 89,
D26/118, 138, 141; 362/364, 365, 373,
362/145, 146, 147, 148, 150, 153, 153.1,
362/294, 296.01, 296.07, 296.08
CPC F21V 29/2262; F21V 7/06; F21V 21/044;
F21V 21/047; F21V 29/2212; F21V
29/2225; F21V 29/2256; F21V 29/225;
F21V 29/2268; F21Y 2111/002; F21S
8/02; F21S 8/026

See application file for complete search history.

(56) **References Cited**

U.S. PATENT DOCUMENTS

D326,537 S * 5/1992 Gattari D26/74
D326,729 S * 6/1992 Gattari D26/74
D591,894 S * 5/2009 Flank D26/74
D640,820 S * 6/2011 Hopper D26/74
D656,263 S * 3/2012 Ogawa D26/74
D672,899 S * 12/2012 Van De Ven D26/74
D687,585 S * 8/2013 Kim D26/72
D691,761 S * 10/2013 Pratt D26/74

D700,387 S * 2/2014 Snell D26/74
D710,047 S * 7/2014 Hildebrandt D26/74
D714,987 S * 10/2014 Saville D26/118
D726,949 S * 4/2015 Redfern D26/74
2013/0286646 A1* 10/2013 Snell F21V 13/04
362/231

* cited by examiner

Primary Examiner — Angela J Lee

(74) *Attorney, Agent, or Firm* — Myers Bigel, P.A.

(57) **CLAIM**

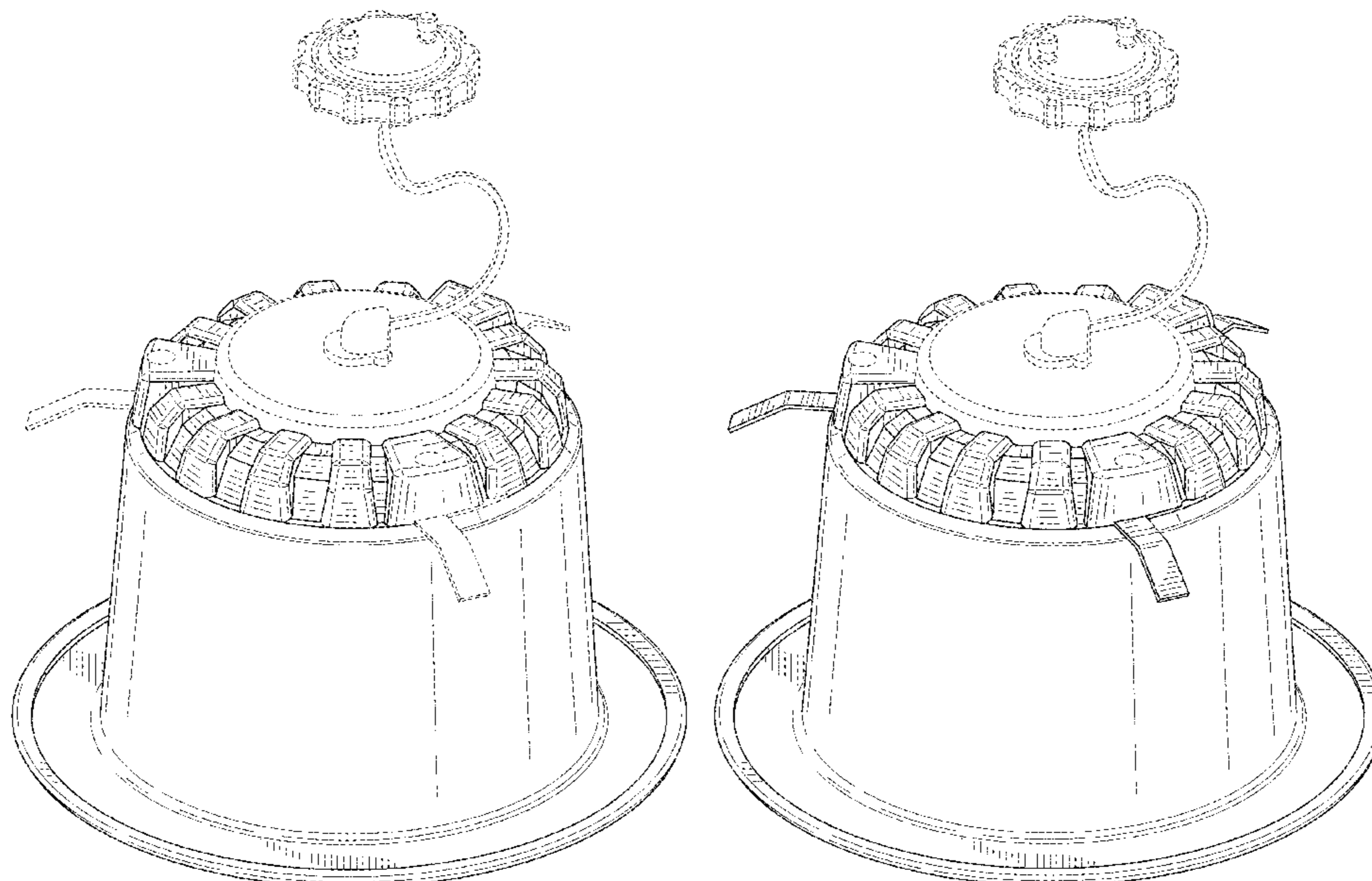
The ornamental design for a LED recessed light apparatus, as shown and described.

DESCRIPTION

FIG. 1 is a top perspective view of a LED recessed light apparatus showing our design;
FIG. 2 is a bottom perspective view thereof;
FIG. 3 is a front side view thereof;
FIG. 4 is a back side view thereof;
FIG. 5 is another side view thereof;
FIG. 6 is an opposing side view thereof;
FIG. 7 is a top view thereof;
FIG. 8 is a bottom view thereof;
FIG. 9 is a top perspective view of a LED recessed light apparatus showing our design;
FIG. 10 is a bottom perspective view thereof;
FIG. 11 is a front side view thereof;
FIG. 12 is a back side view thereof;
FIG. 13 is another side view thereof;
FIG. 14 is an opposing side view thereof;
FIG. 15 is a top view thereof; and,
FIG. 16 is a bottom view thereof.

The broken lines shown herein are for illustrative purposes only and form no part of the claimed design. The illustrated device is not limited to the scale shown.

1 Claim, 16 Drawing Sheets



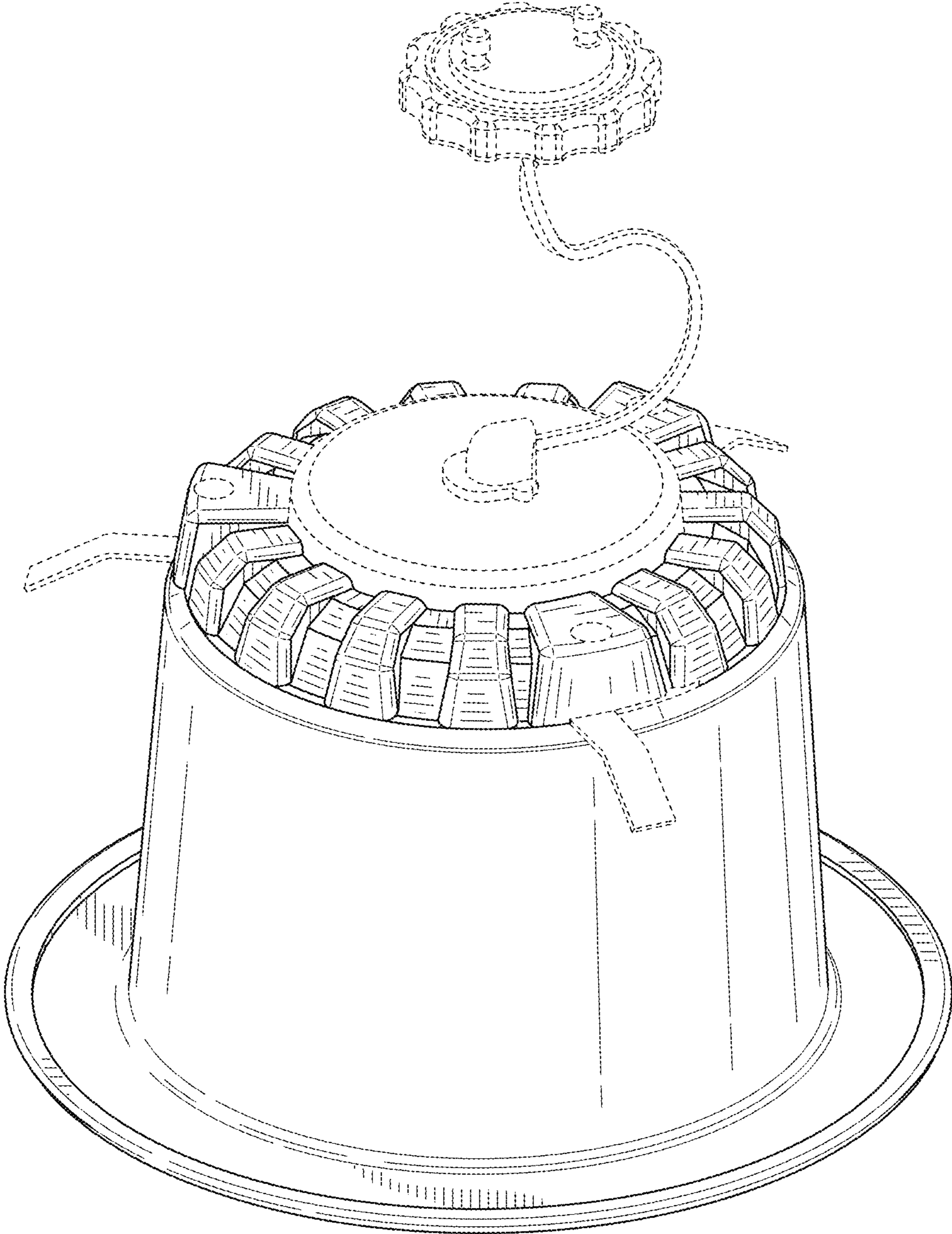


FIG. 1

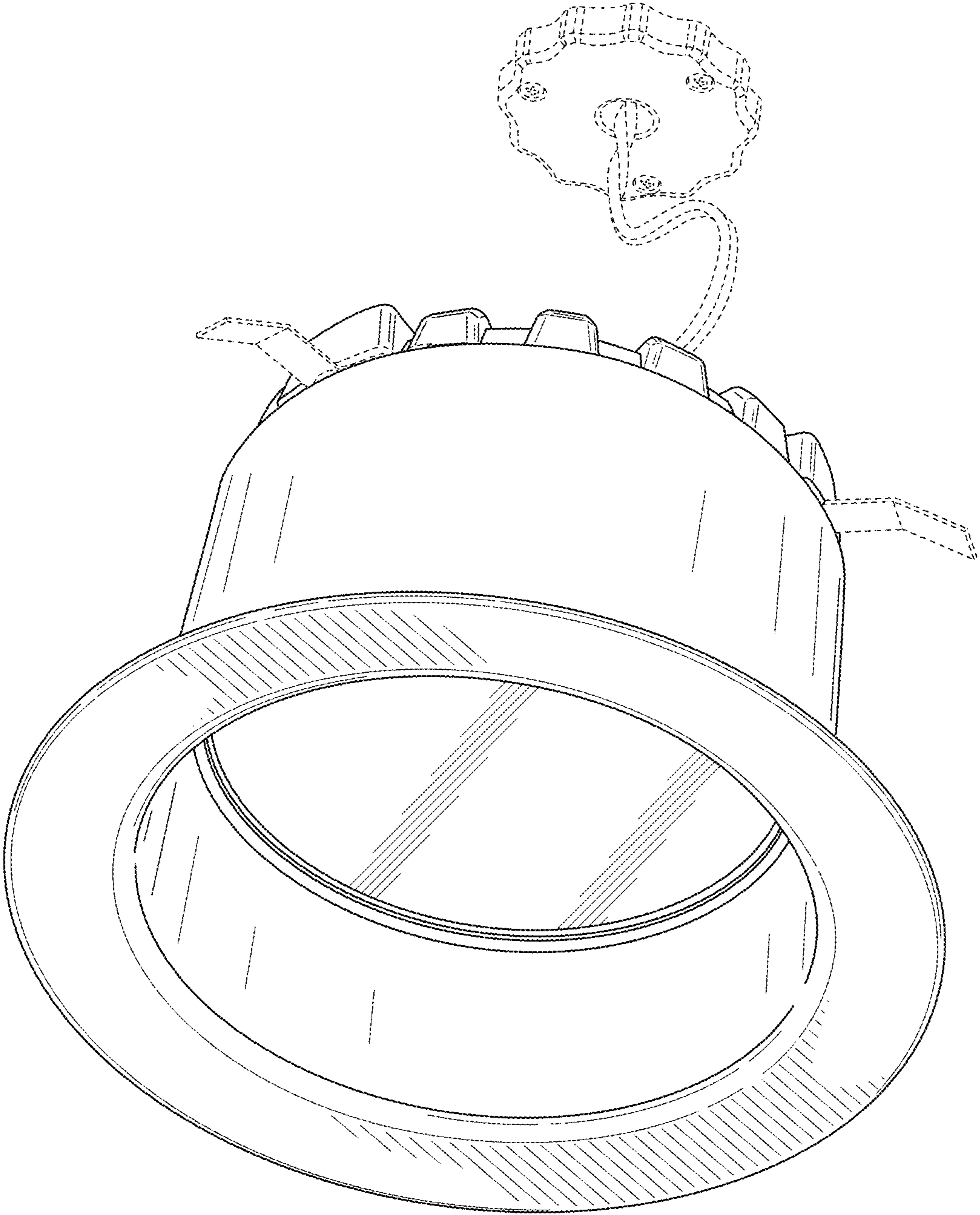


FIG. 2

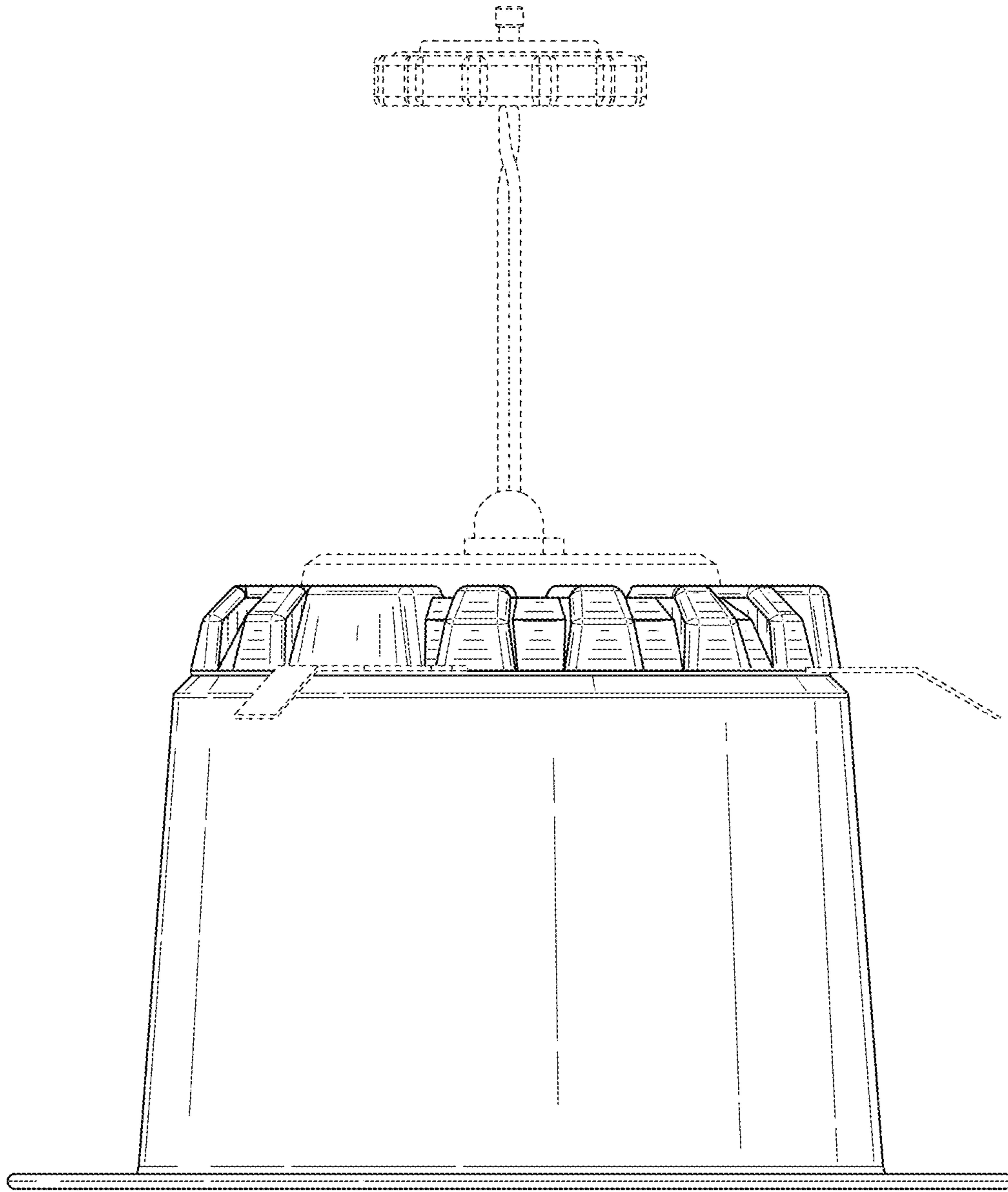


FIG. 3

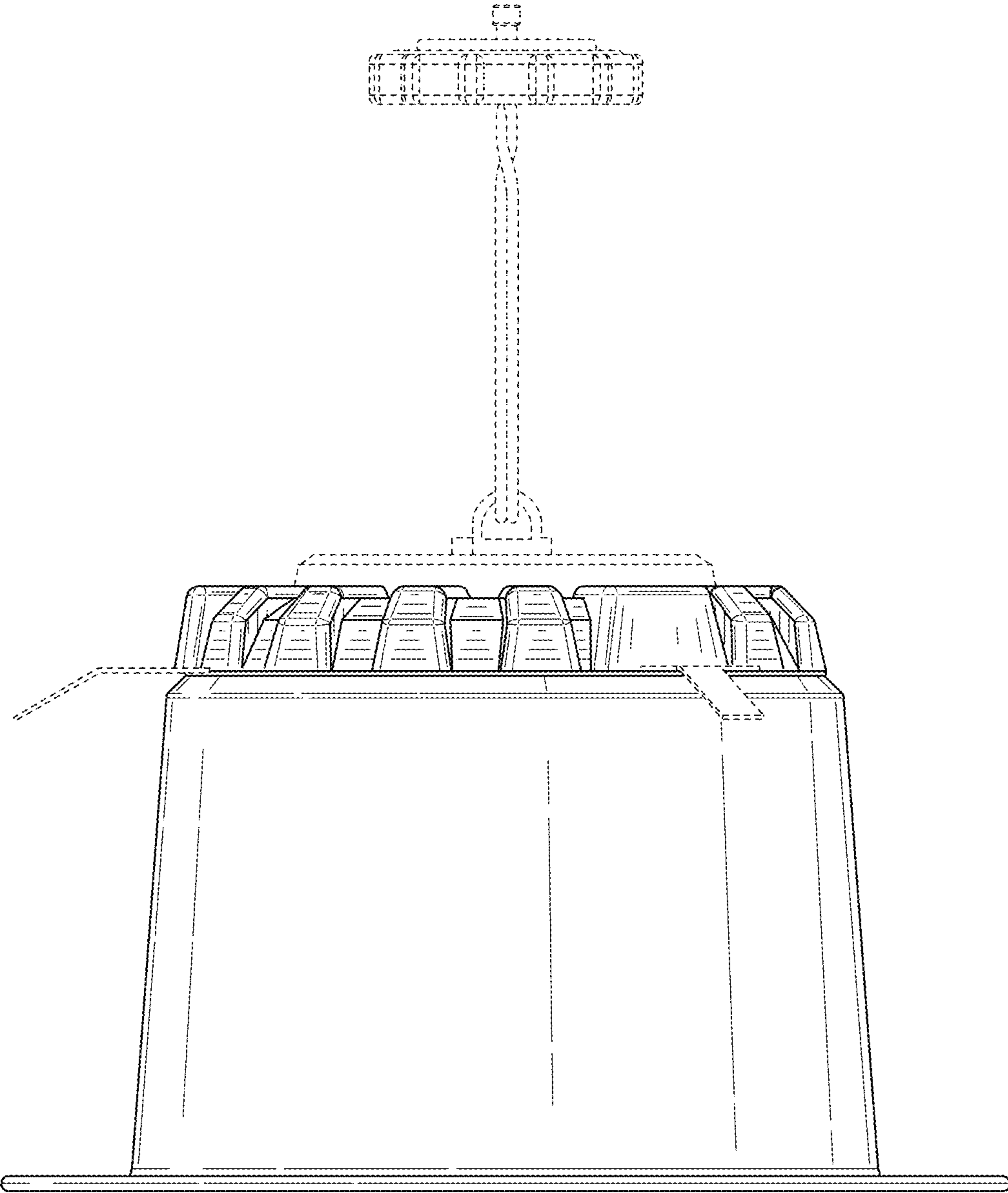


FIG. 4

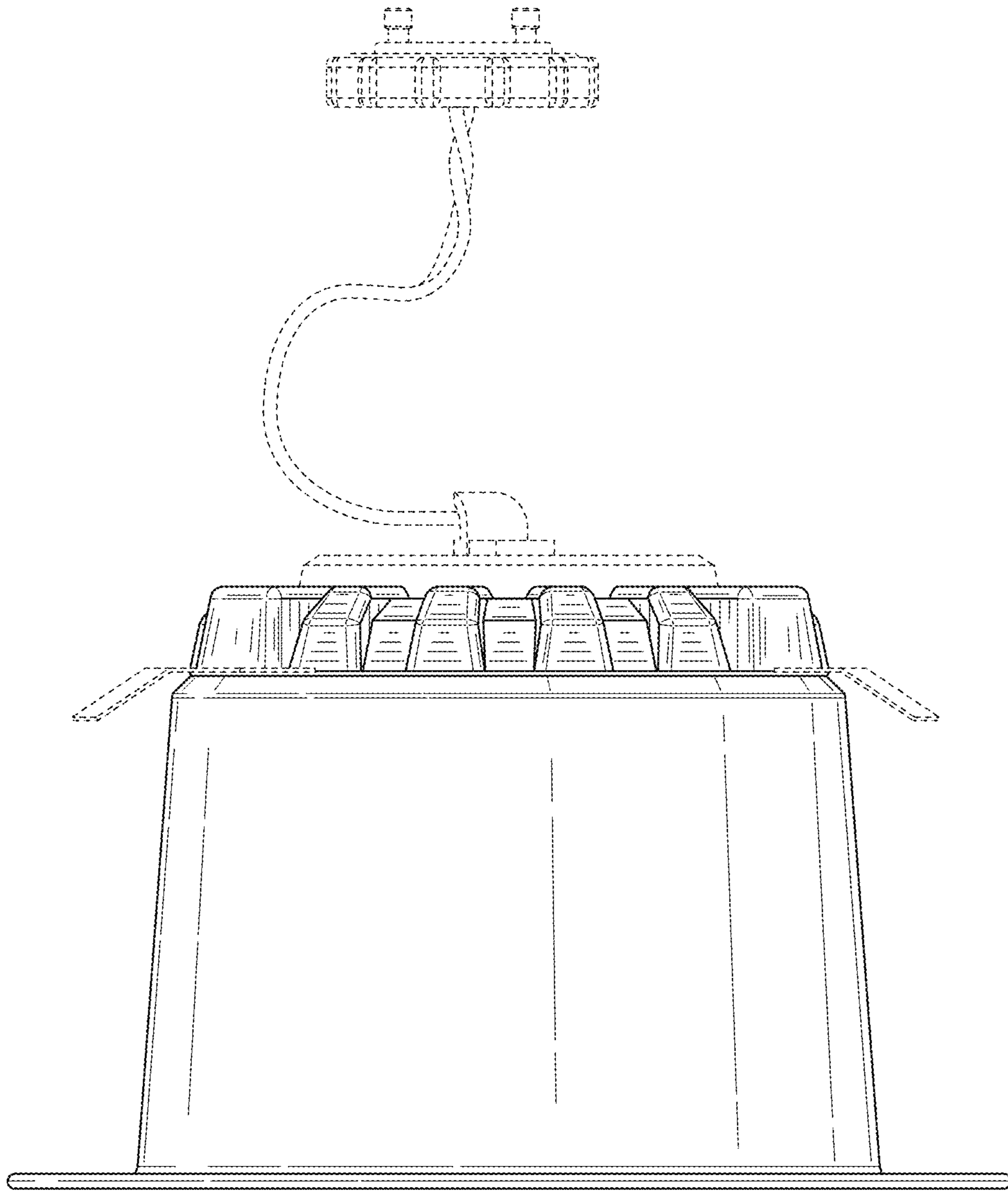


FIG. 5

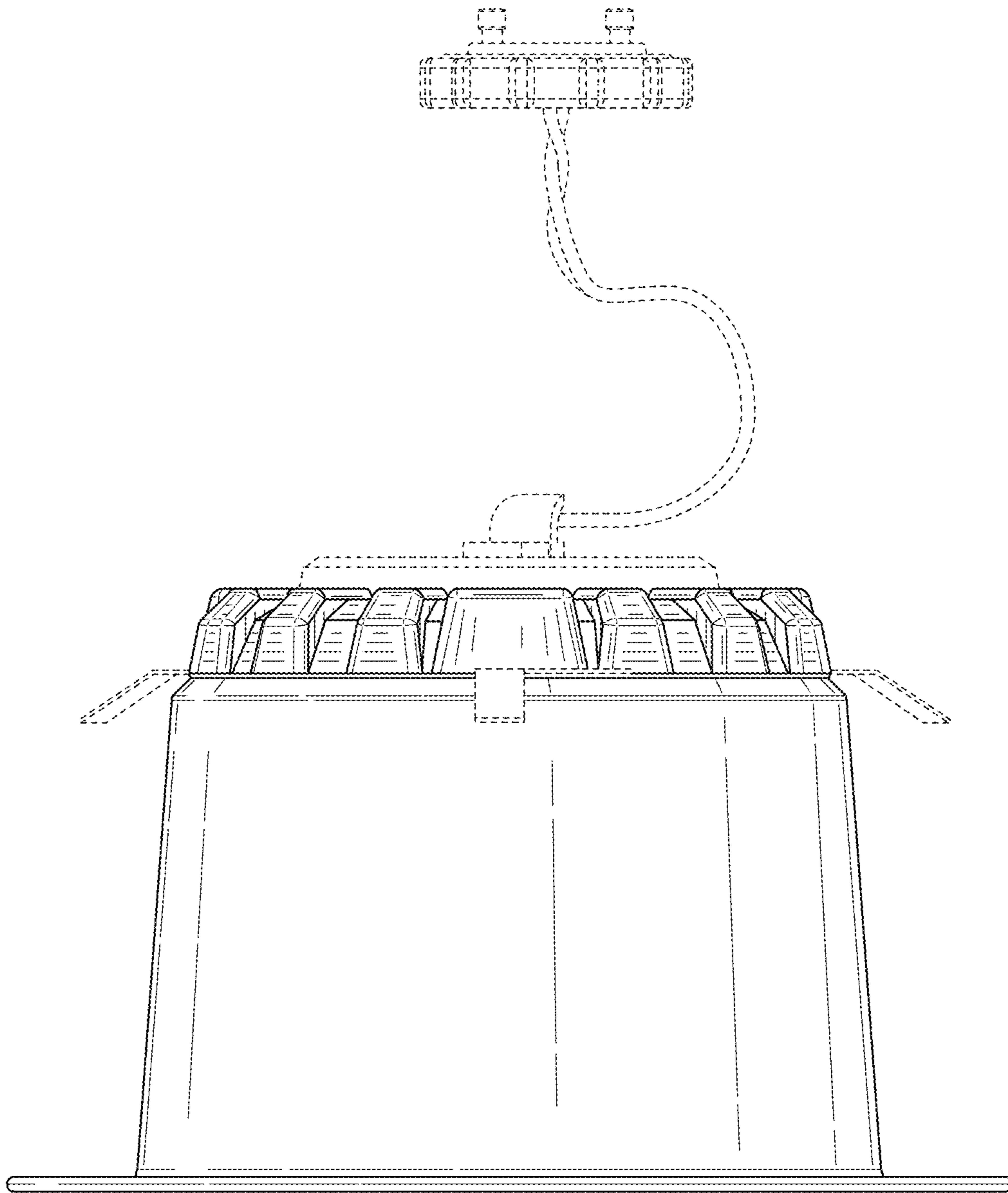


FIG. 6

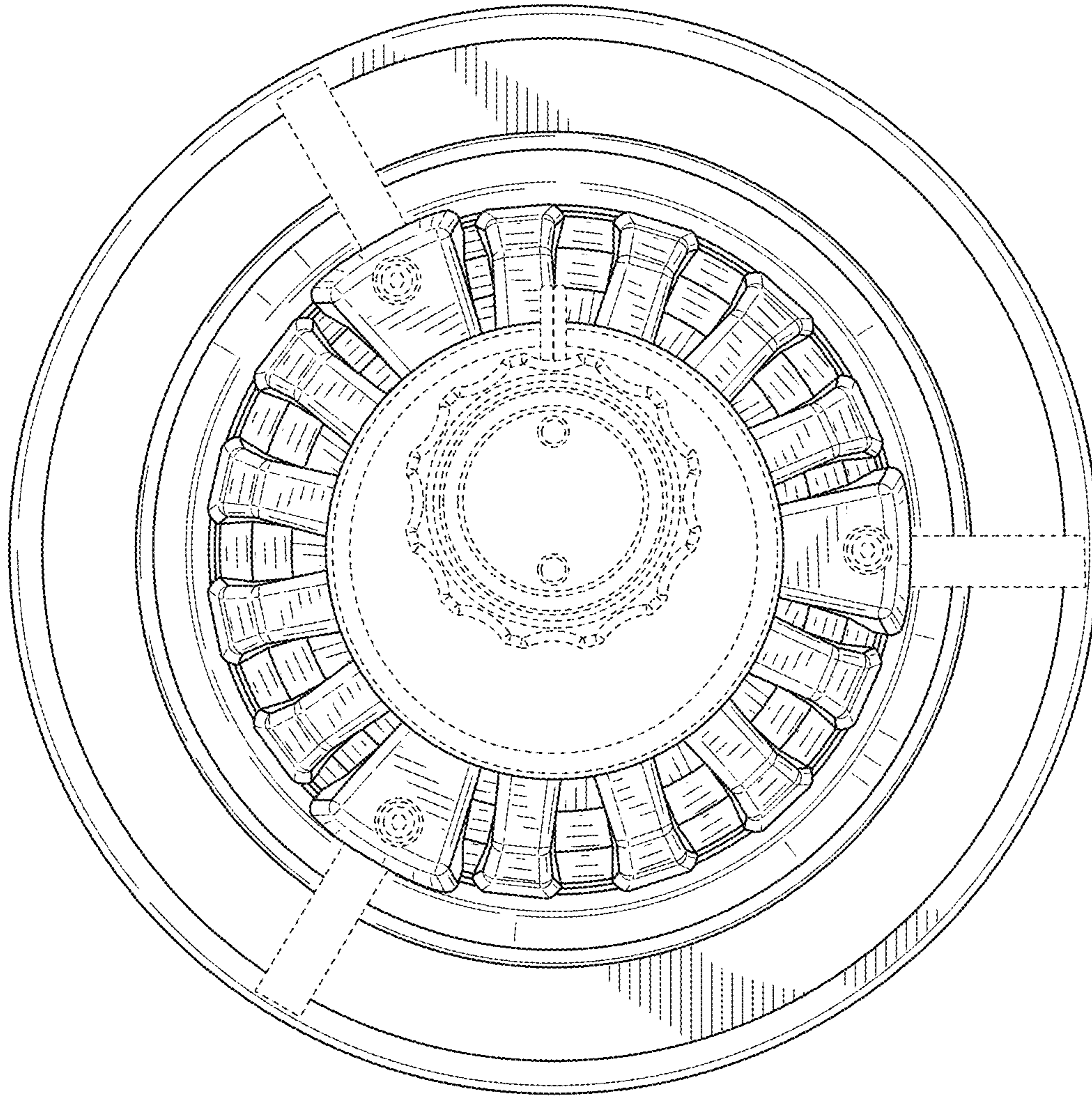


FIG. 7

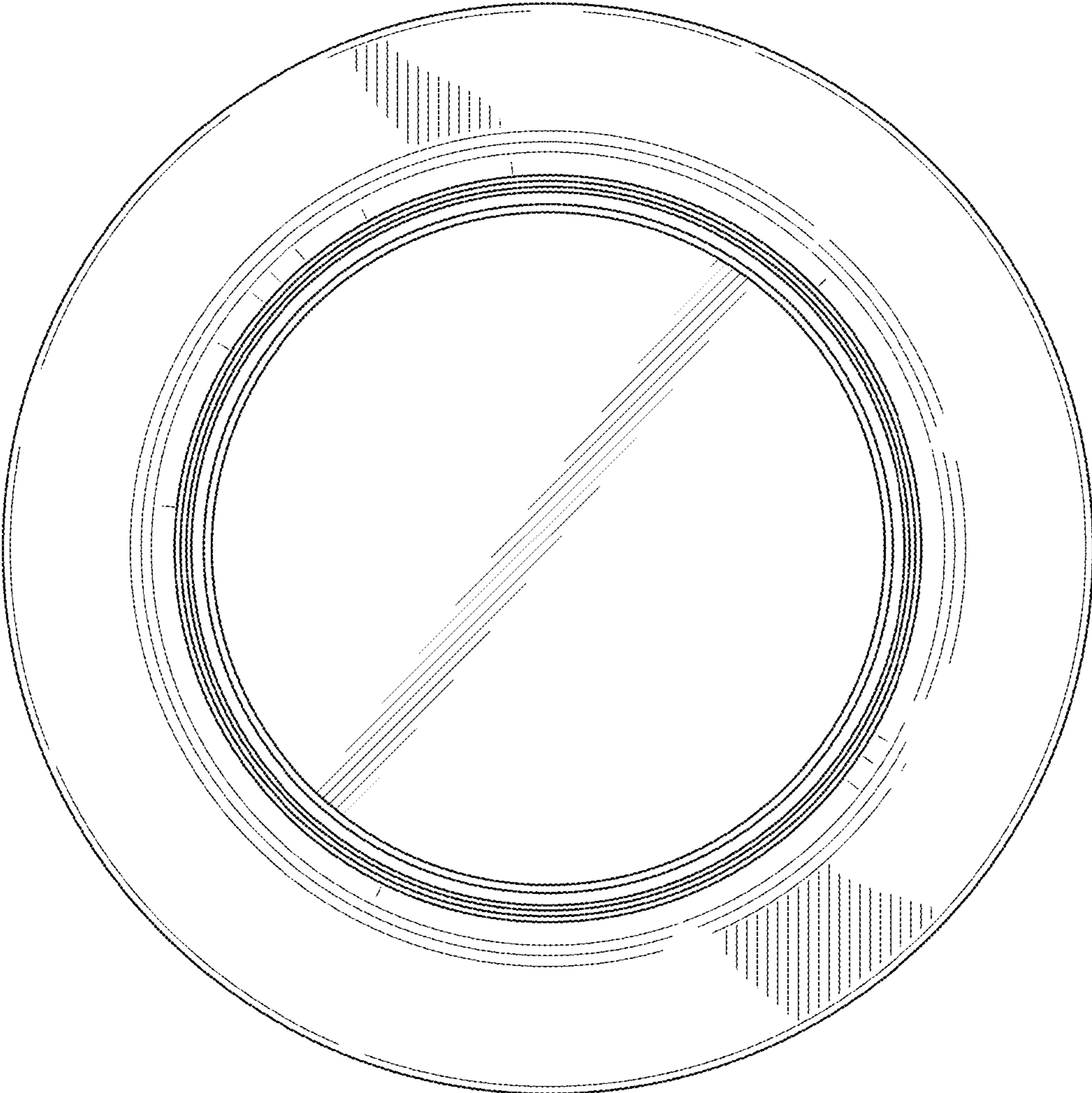


FIG. 8

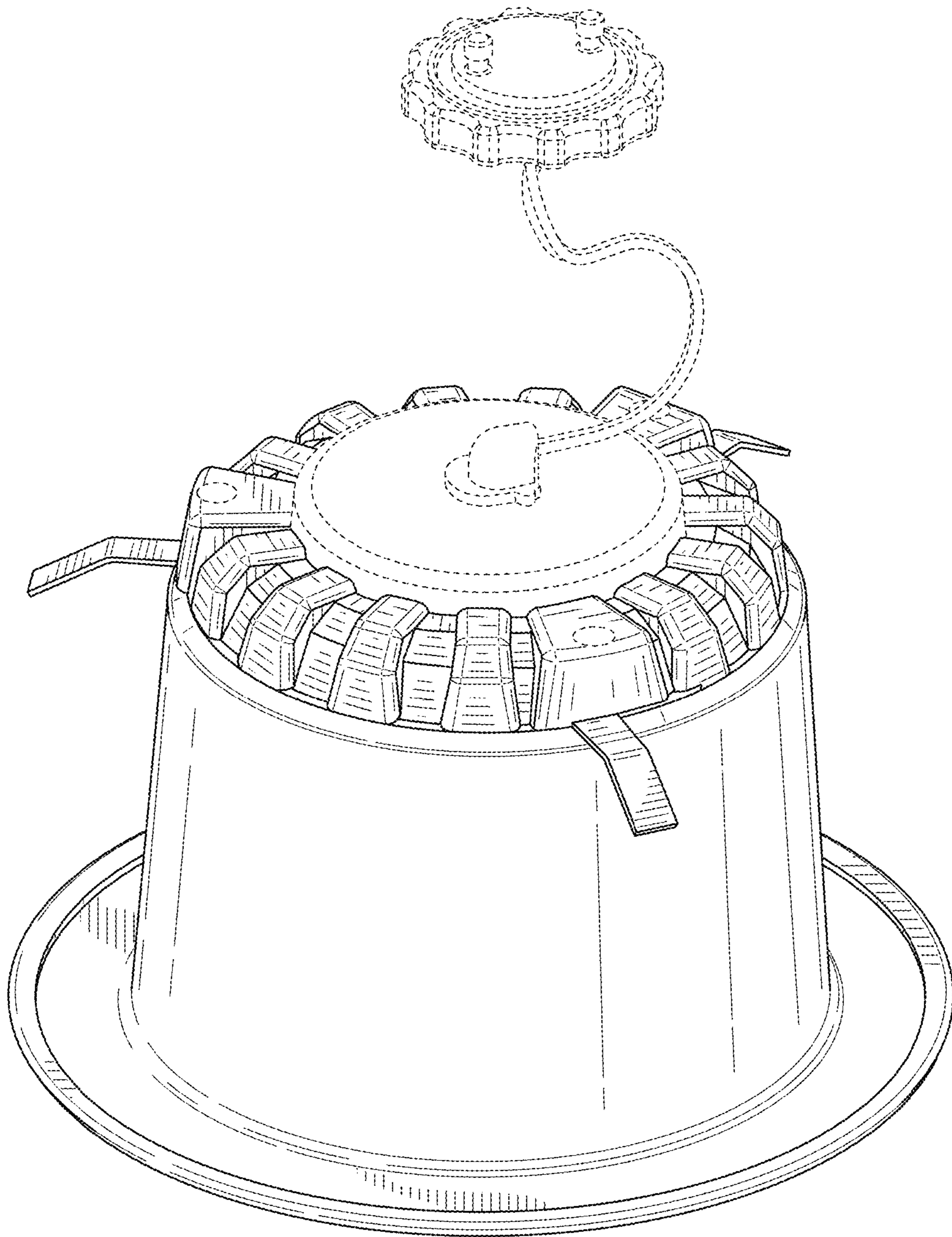


FIG. 9

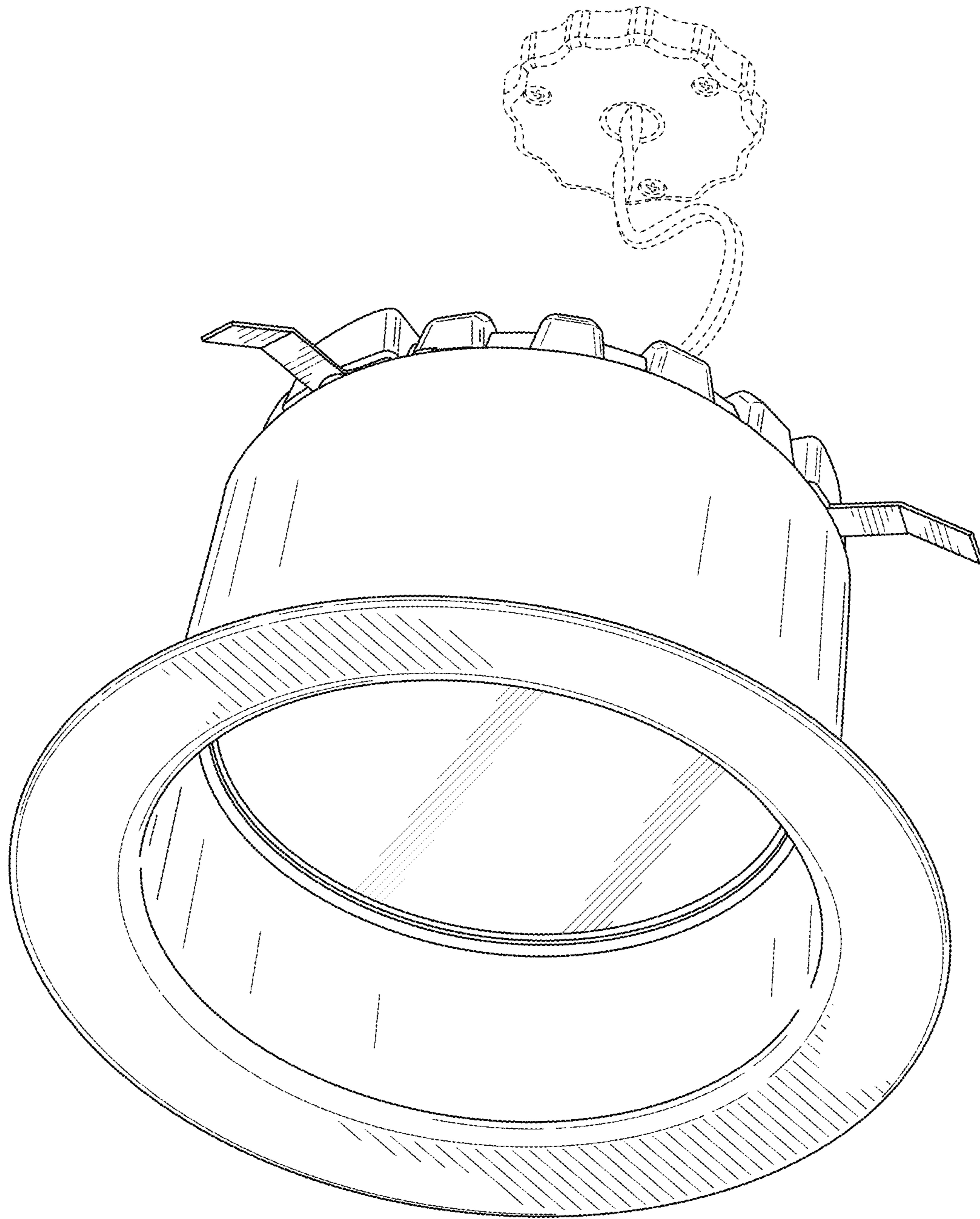


FIG. 10

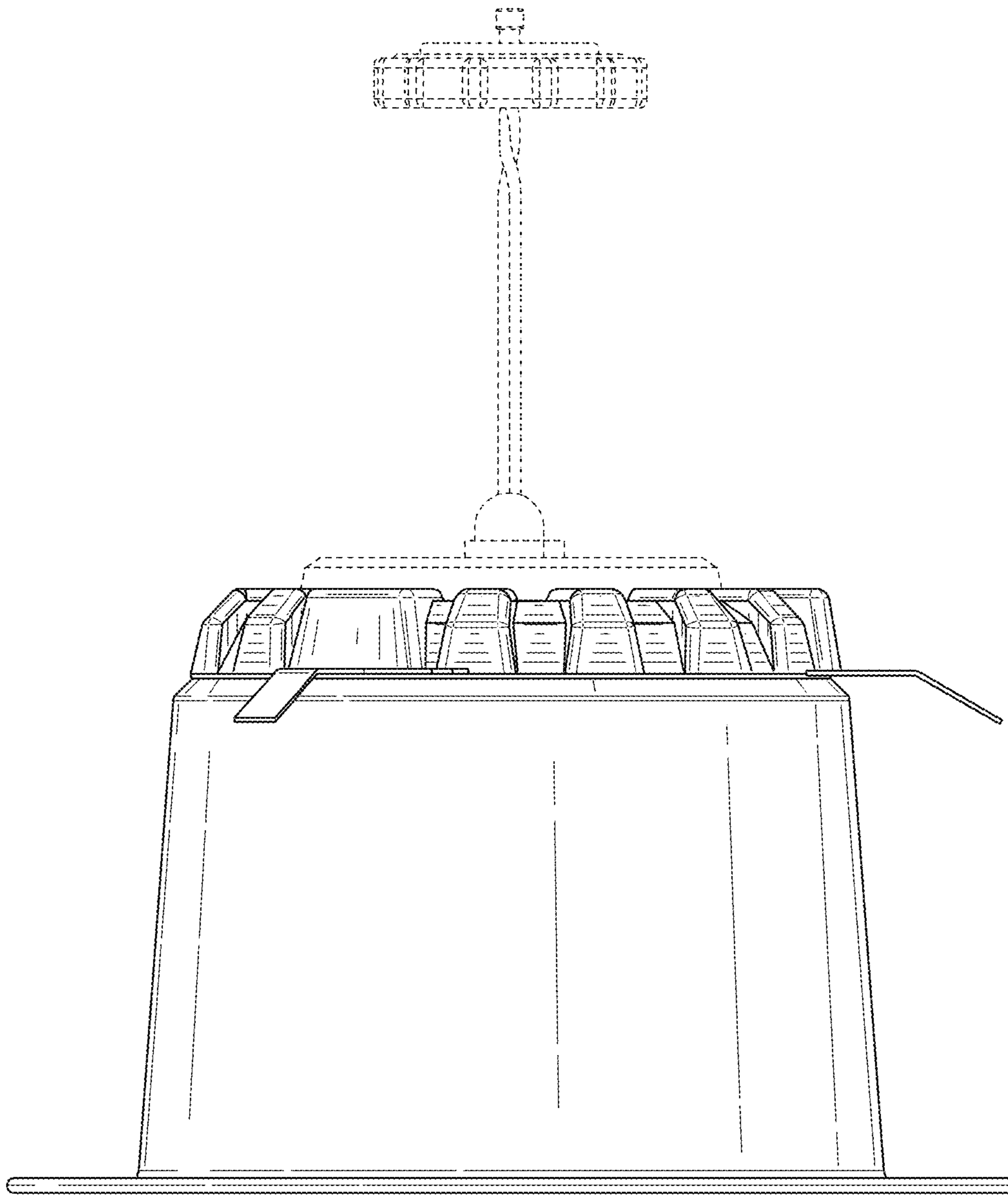


FIG. 11

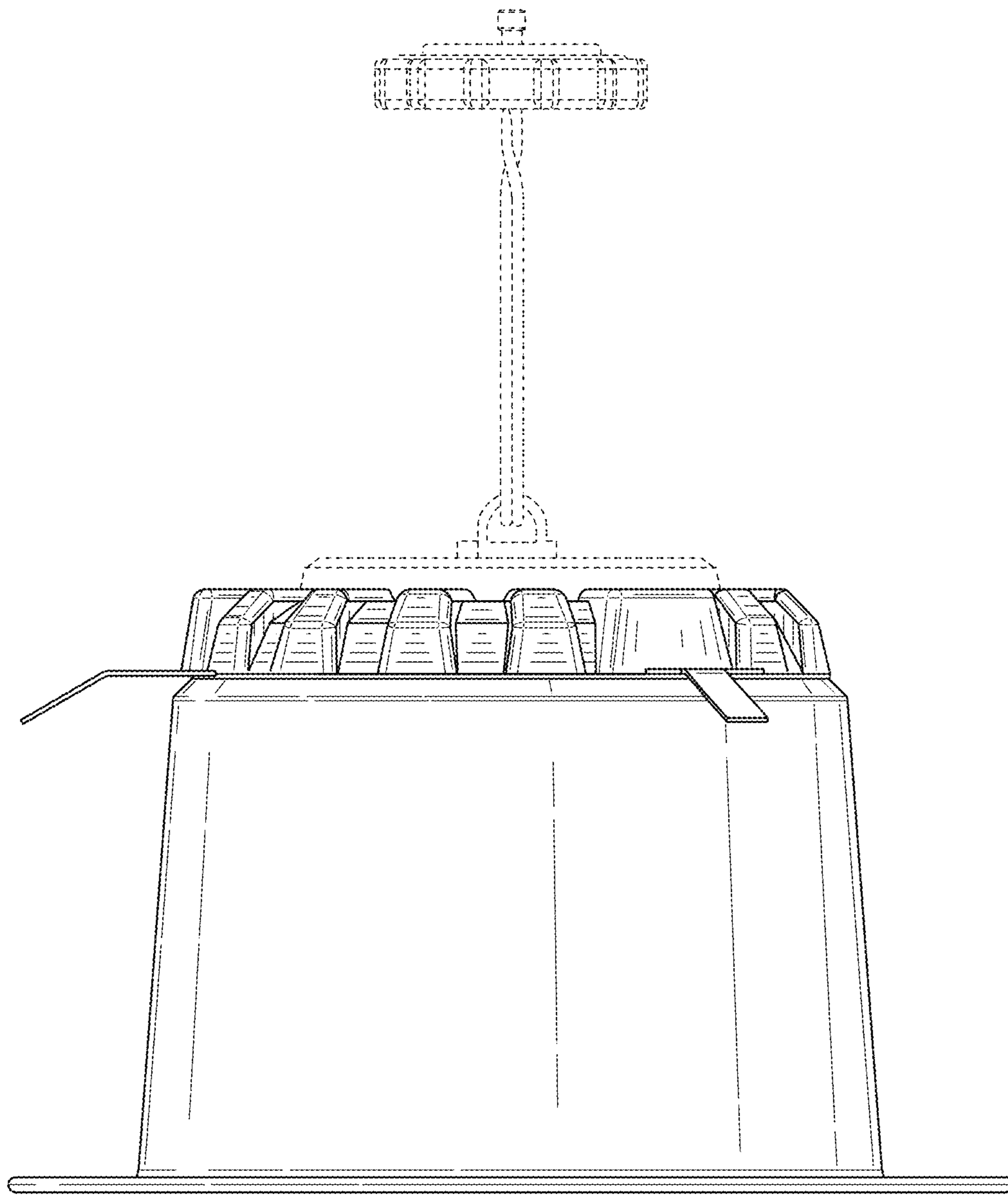


FIG. 12

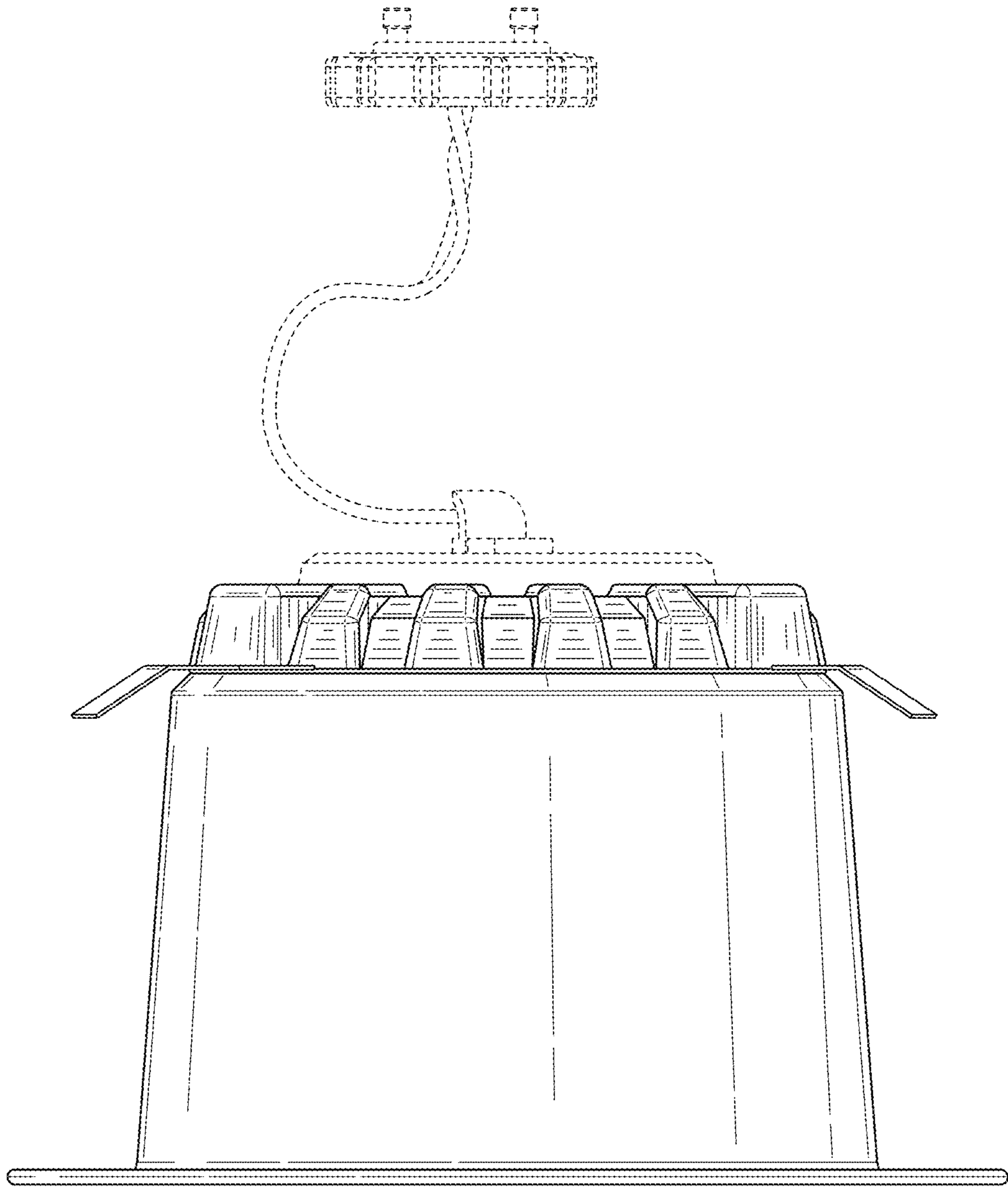


FIG. 13

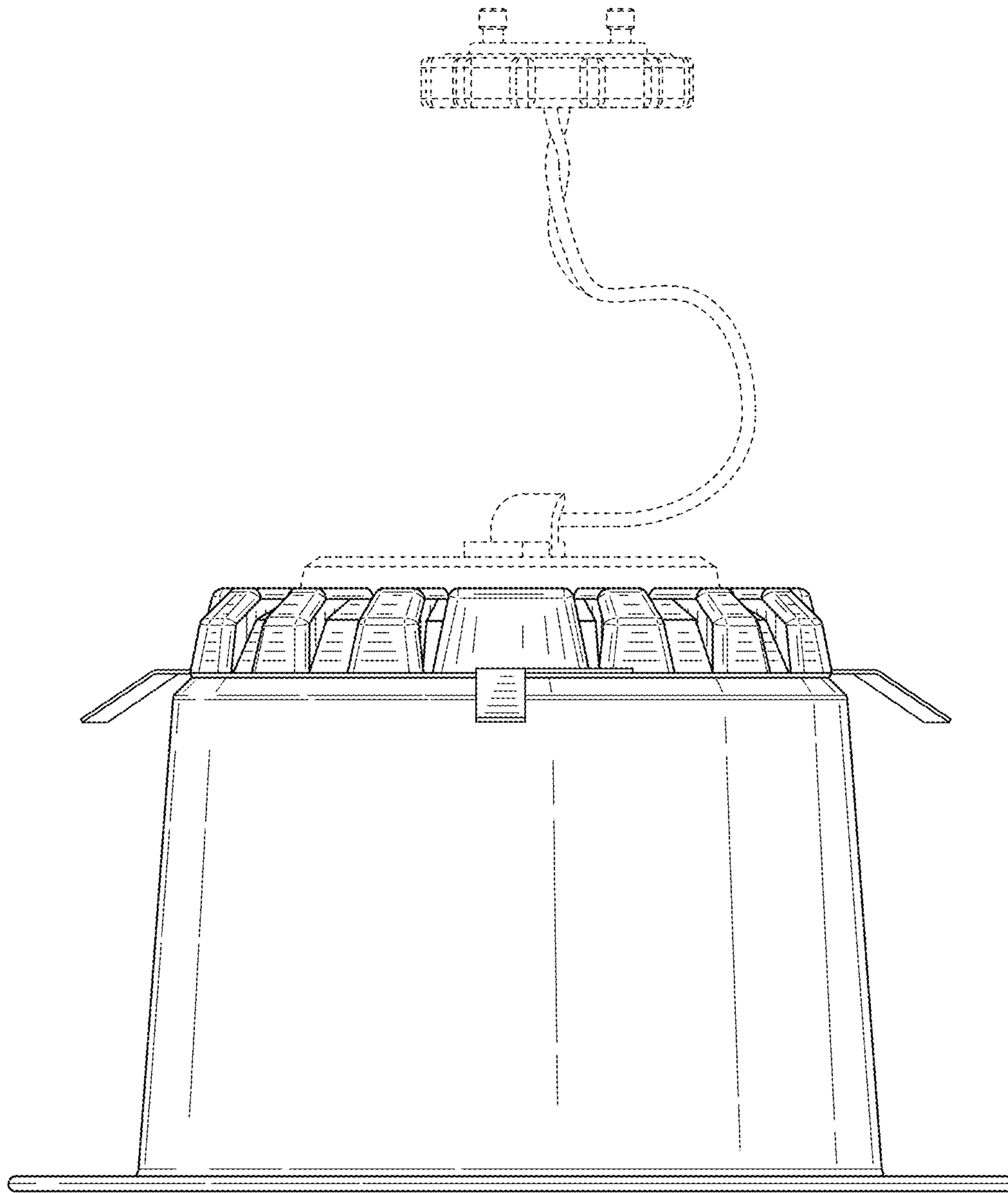


FIG. 14

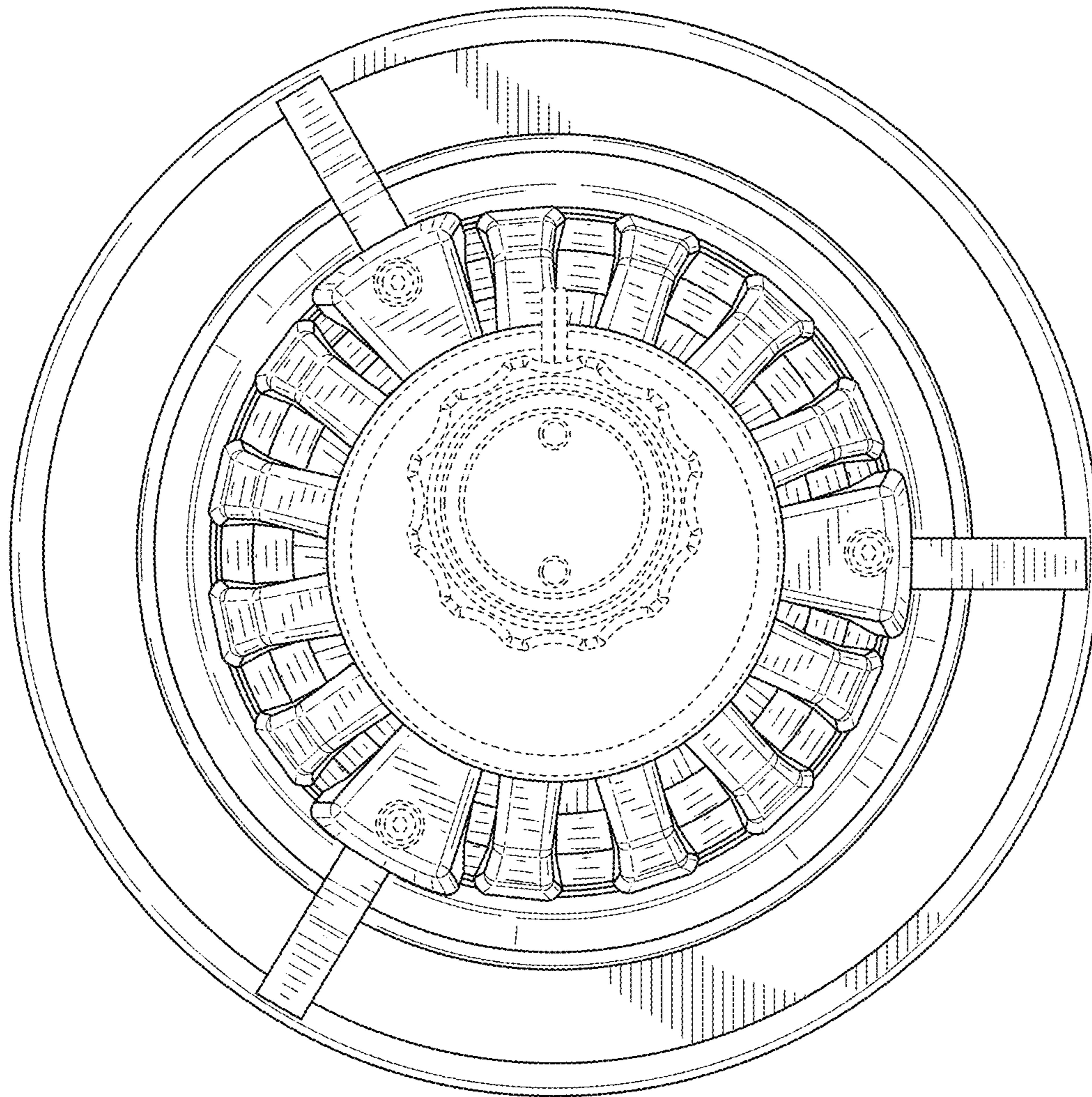


FIG. 15

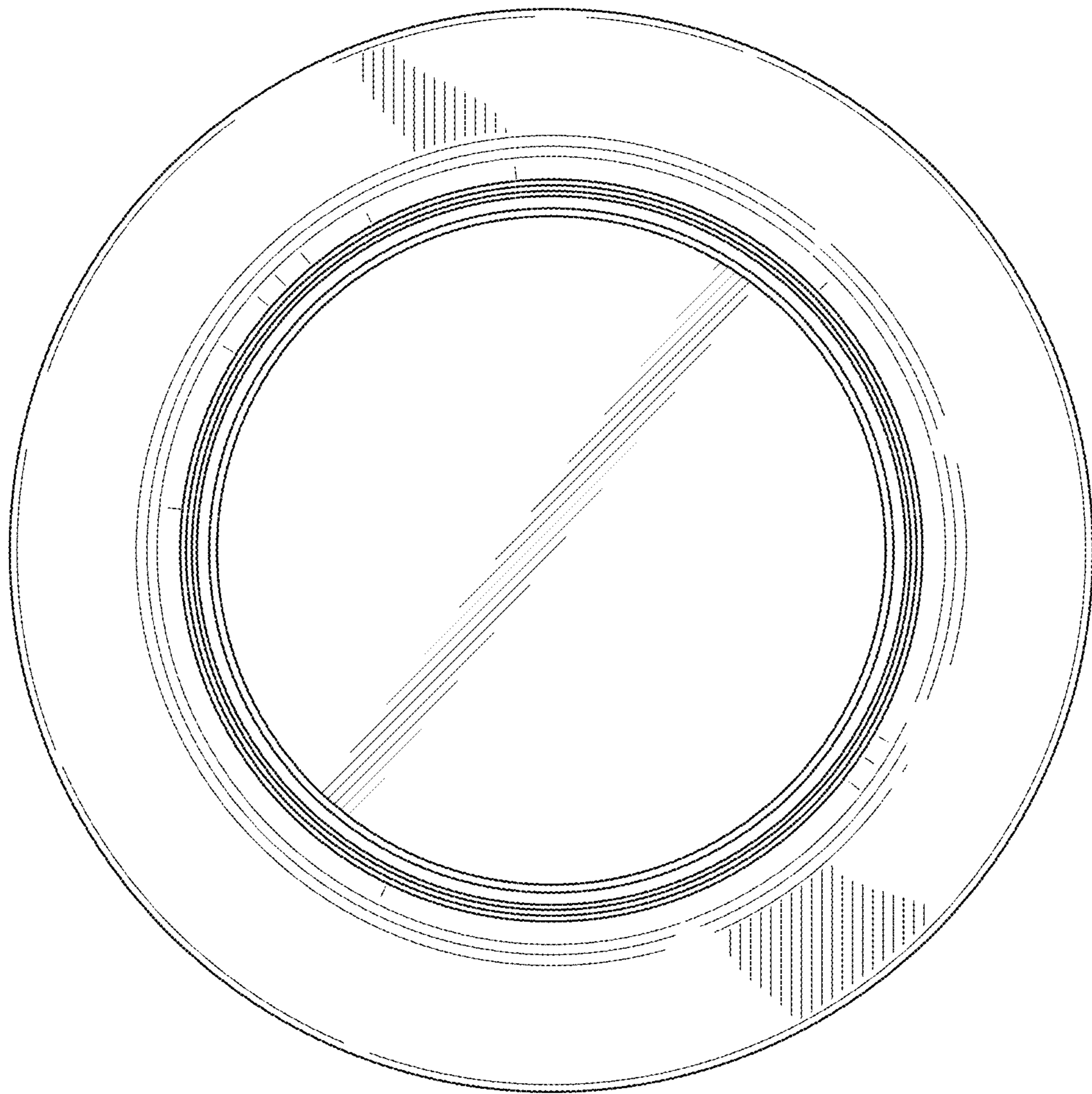


FIG. 16