



US00D776323S

(12) **United States Design Patent**
Oh

(10) **Patent No.:** **US D776,323 S**

(45) **Date of Patent:** **** Jan. 10, 2017**

(54) **SECURITY LIGHT**

(71) Applicant: **Gil Sik Oh**, Gwangju-si, Gyeonggi-do (KR)

(72) Inventor: **Byung Oh Oh**, Gwangju-si (KR)

(73) Assignee: **Gil Sik Oh**, Gwangju-si (KR)

(**) Term: **15 Years**

(21) Appl. No.: **29/543,391**

(22) Filed: **Oct. 23, 2015**

(51) **LOC (10) Cl.** **26-05**

(52) **U.S. Cl.**
USPC **D26/72; D26/70**

(58) **Field of Classification Search**
USPC D26/67, 68, 69, 70, 110, 104; D10/111, D10/114.8
CPC F21S 6/004; F21S 8/032; F21S 8/08; F21S 8/081; F21S 8/083; F21S 8/085; F21S 8/088; F21S 9/037; F21W 2131/10; F21W 2131/109
See application file for complete search history.

(56) **References Cited**

U.S. PATENT DOCUMENTS

D149,323 S * 4/1948 Trowbridge D10/111
D169,798 S * 6/1953 Anthony D26/67
D218,985 S * 10/1970 Anderson, Jr. D26/67
D231,749 S * 6/1974 Maciel D26/104

D238,960 S * 2/1976 Leung D26/104
D239,730 S * 4/1976 Thomas D10/114.8
6,227,683 B1 * 5/2001 Tukia F21S 8/088
362/298
D468,044 S * 12/2002 Lam D26/104
D556,618 S * 12/2007 Campagna D10/111
D564,687 S * 3/2008 Bucher D26/60
D573,289 S * 7/2008 Xu D26/67
D592,088 S * 5/2009 Miller D10/114.8
D738,556 S * 9/2015 Macura D26/67
D752,798 S * 3/2016 Righetto D26/67
D752,799 S * 3/2016 Righetto D26/67
2009/0046472 A1 * 2/2009 Chu F21V 9/08
362/363
2011/0310596 A1 * 12/2011 Ahmadi F21S 9/043
362/183

* cited by examiner

Primary Examiner — Clare E Heflin

(74) *Attorney, Agent, or Firm* — Sughrue Mion, PLLC

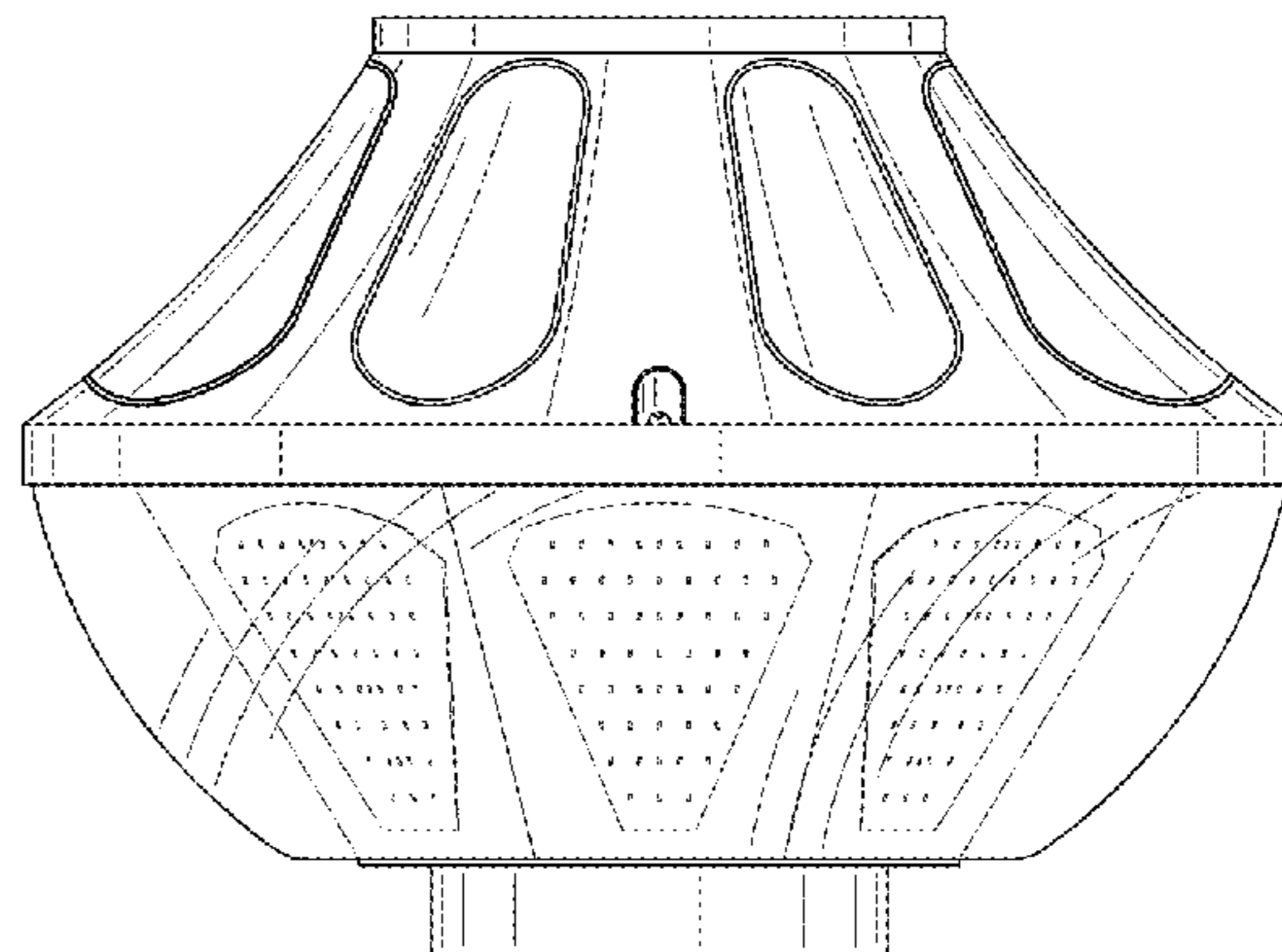
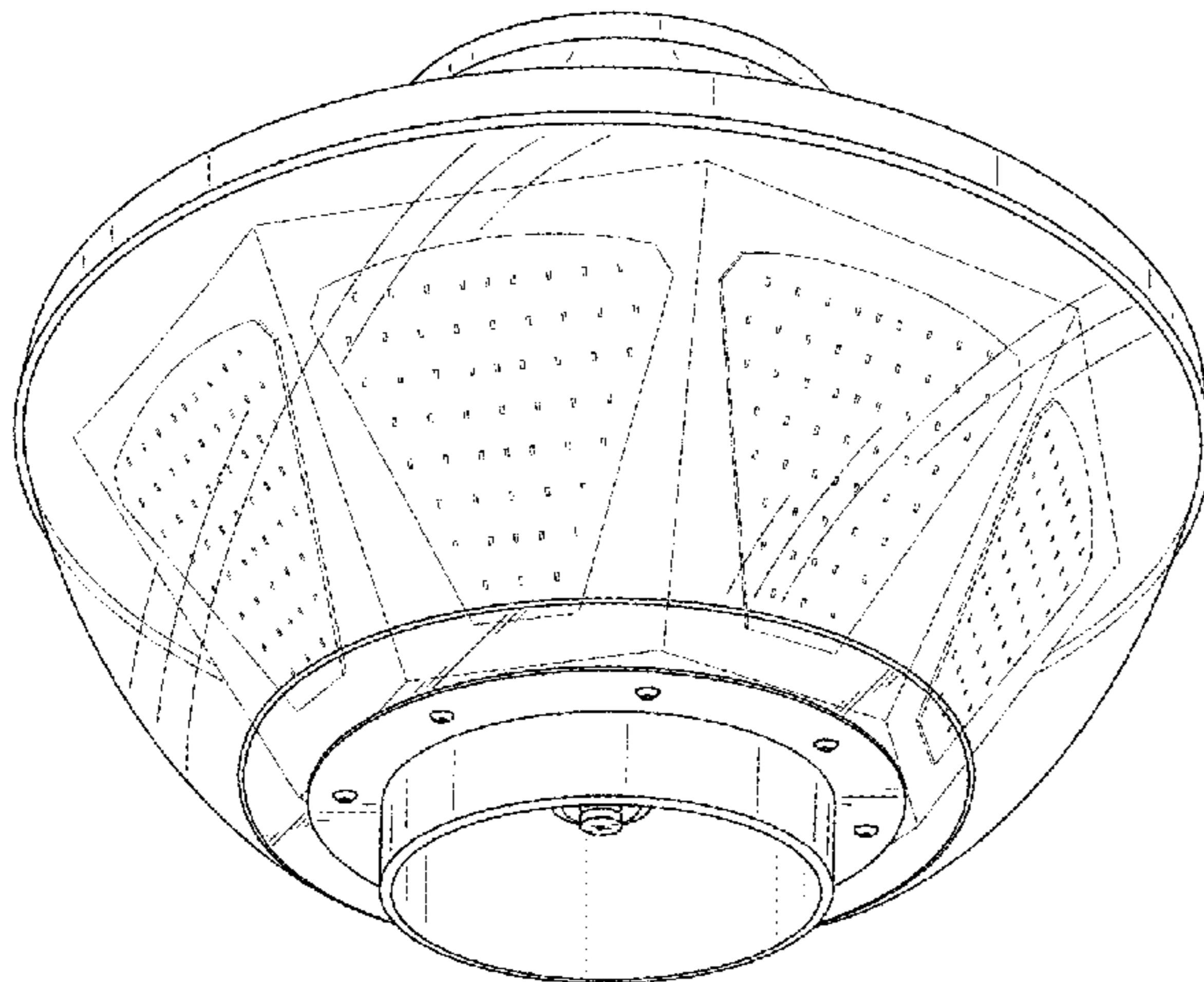
(57) **CLAIM**

I claim the ornamental design for a security light, as shown and described.

DESCRIPTION

FIG. 1 is a perspective view of security light showing my new design;
FIG. 2 is a front view thereof;
FIG. 3 is a rear view thereof;
FIG. 4 is a left-side view thereof;
FIG. 5 is a right-side view thereof;
FIG. 6 is a top plan view thereof; and,
FIG. 7 is a bottom plan view thereof.

1 Claim, 4 Drawing Sheets



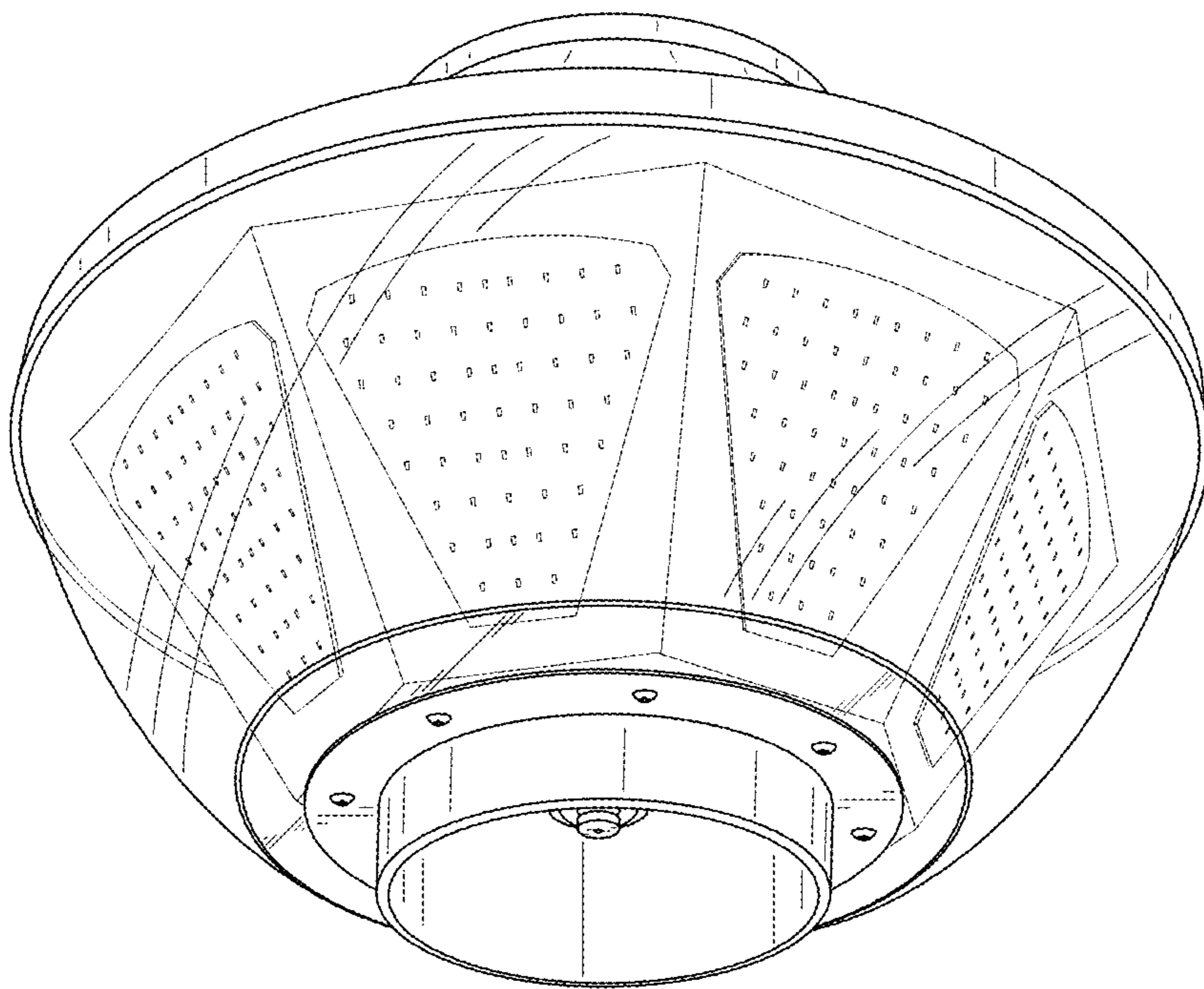


FIG. 1

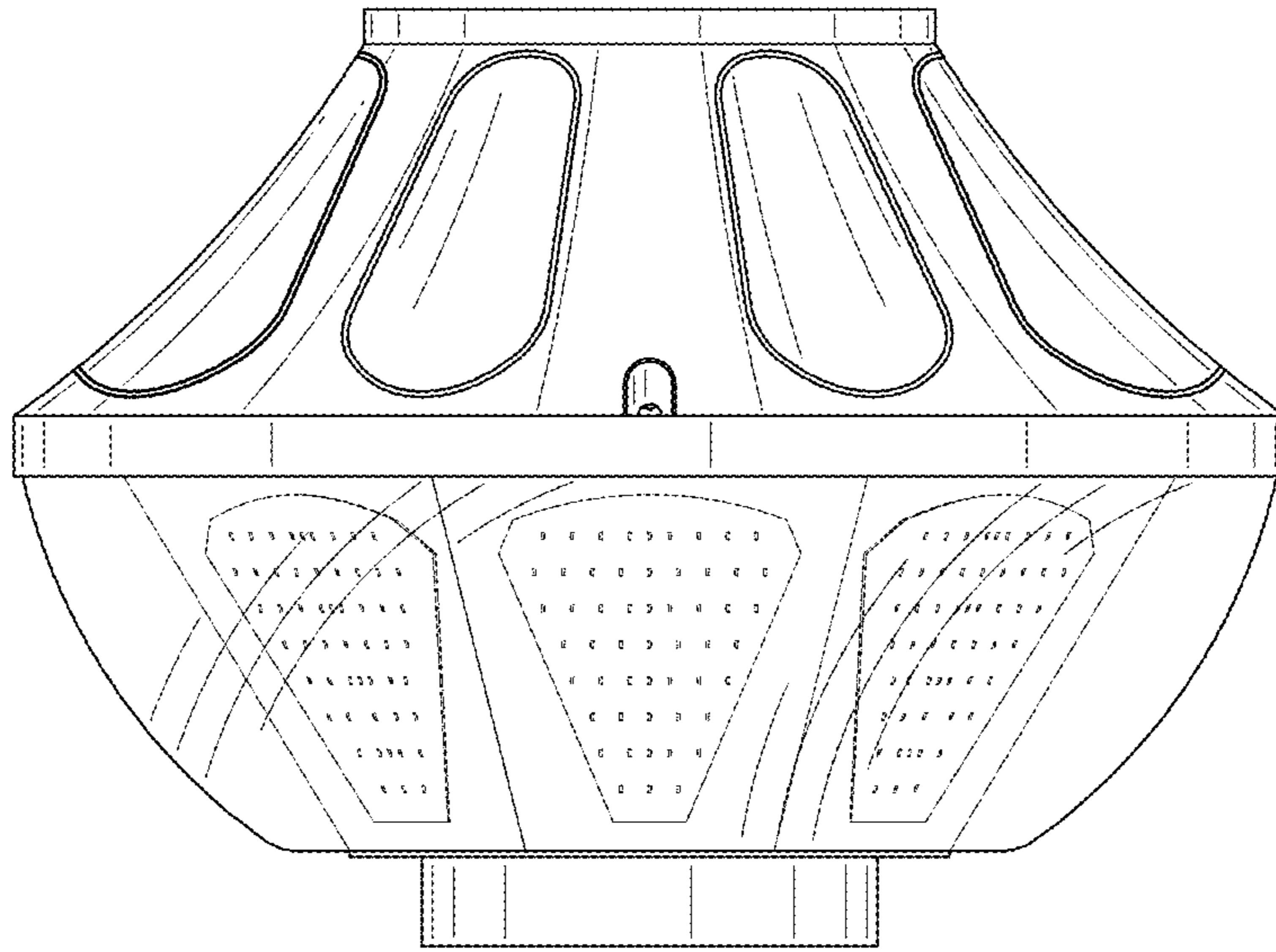


FIG. 2

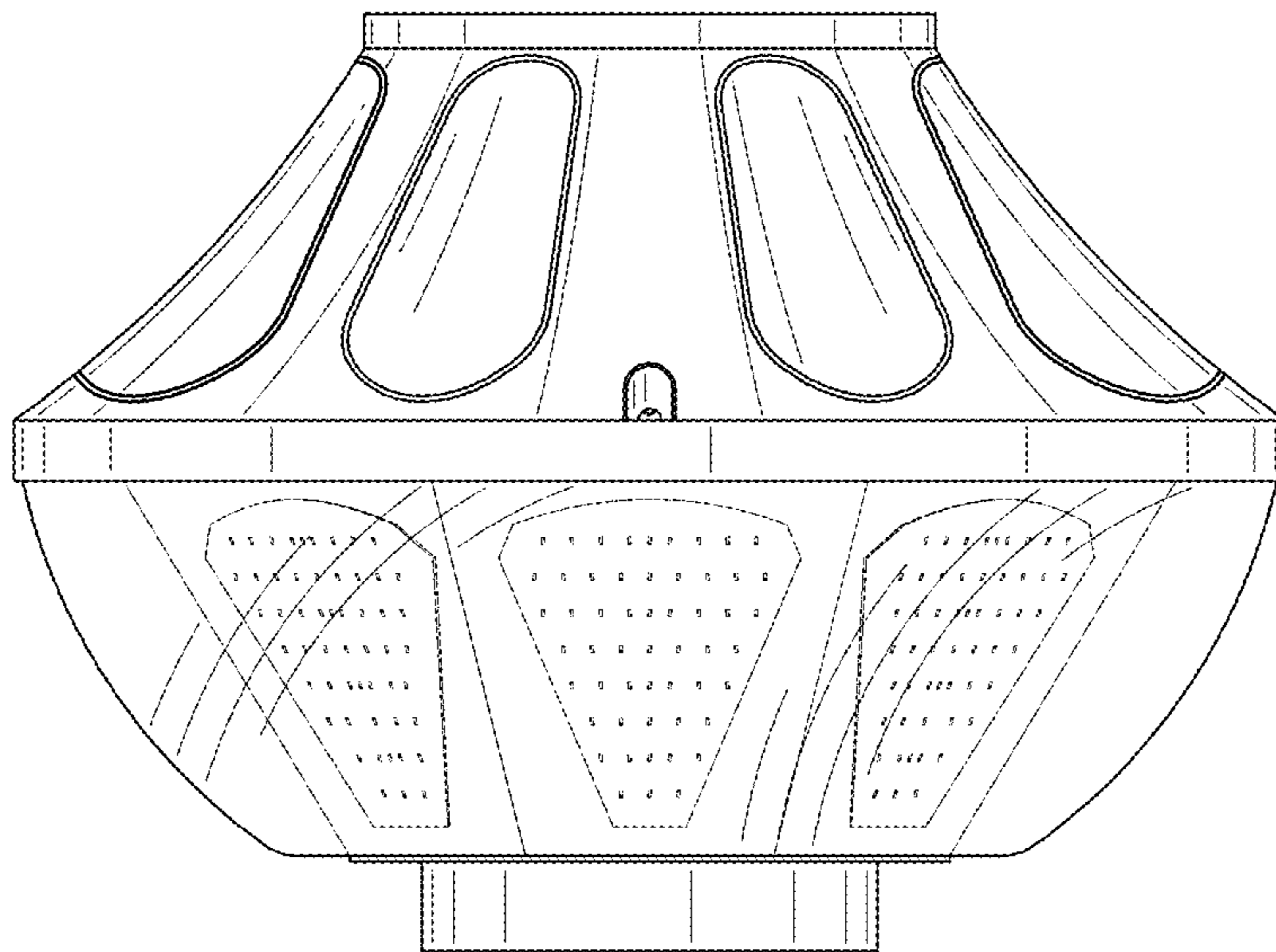


FIG. 3

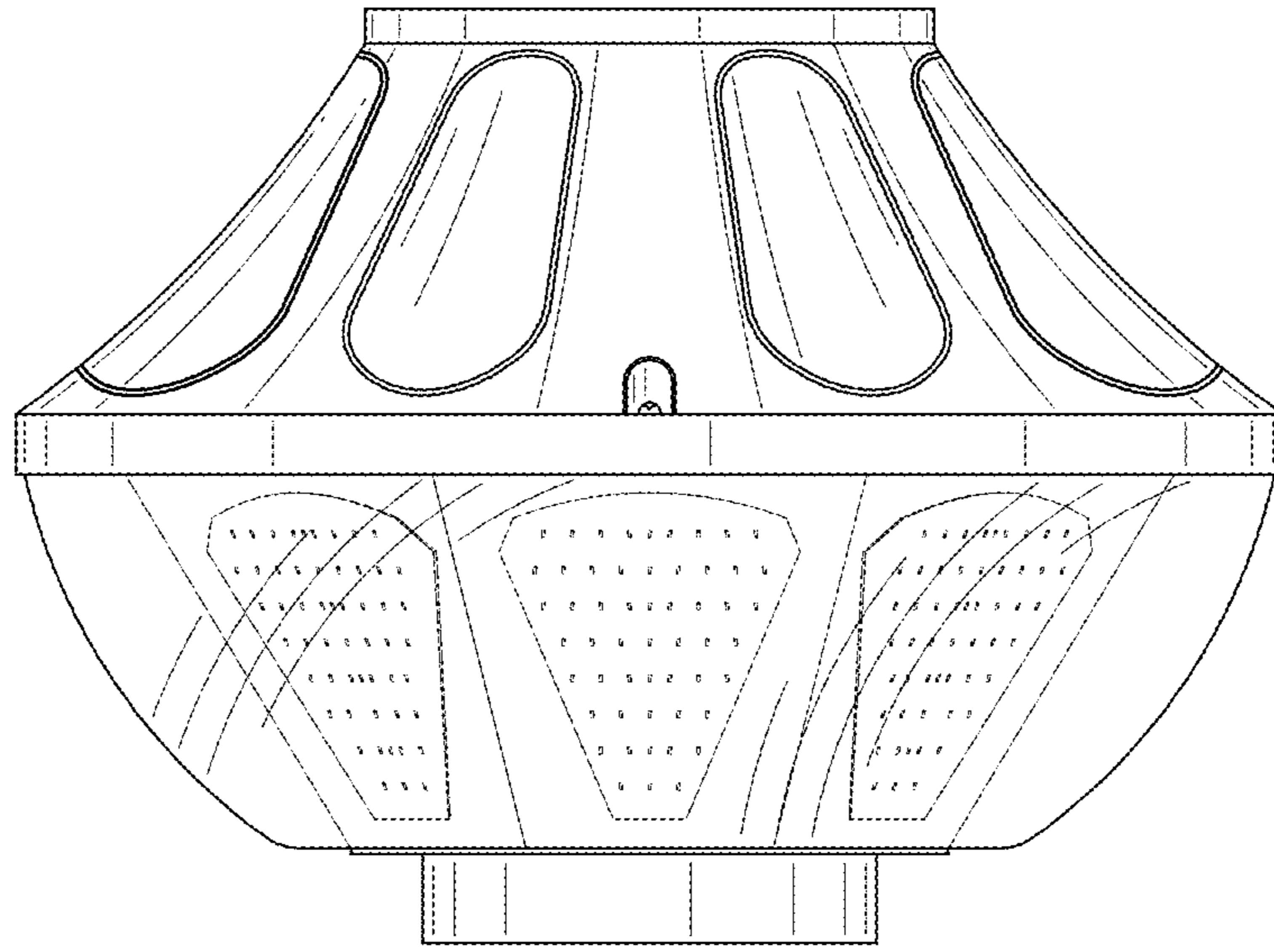


FIG. 4

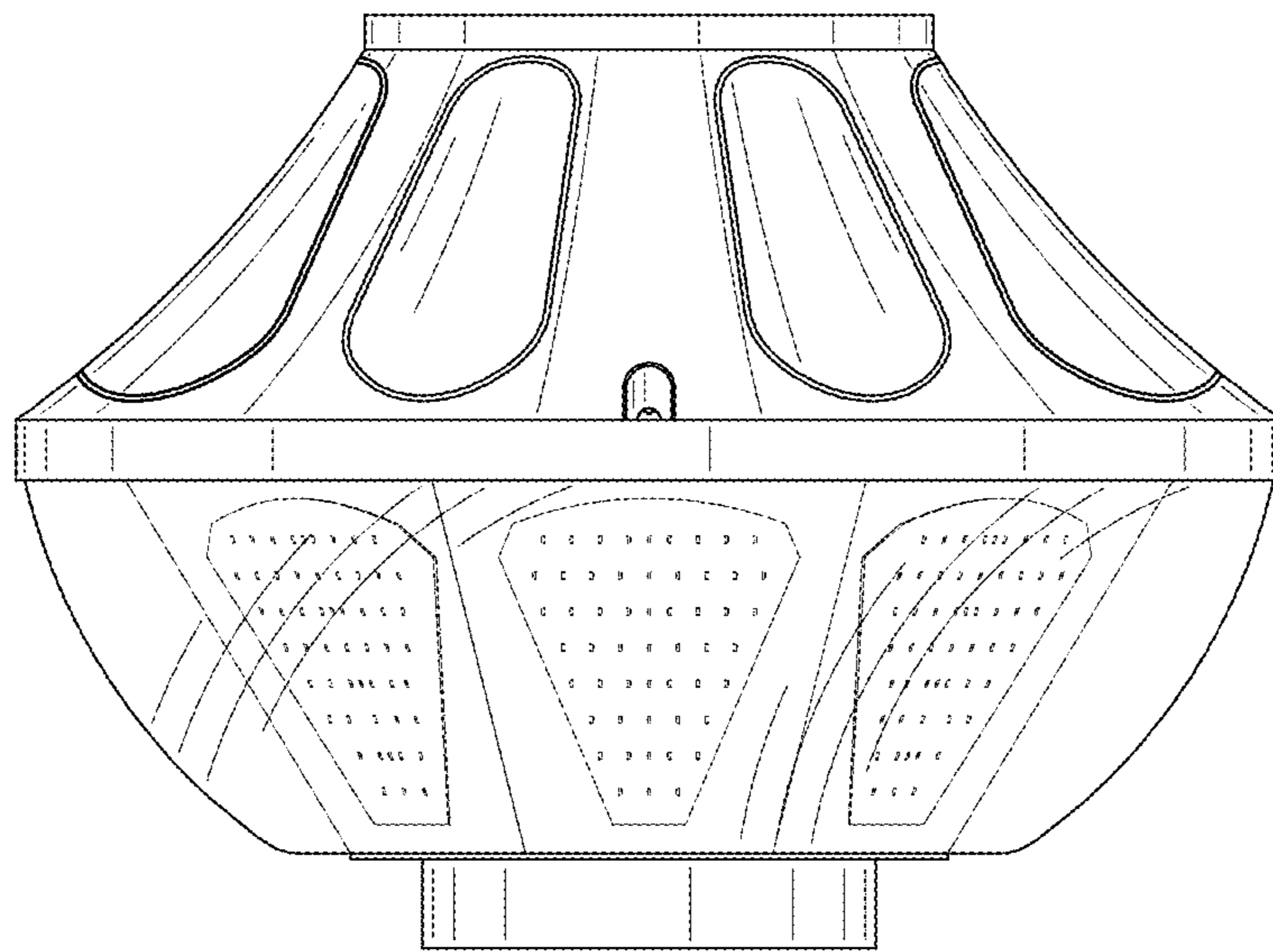


FIG. 5

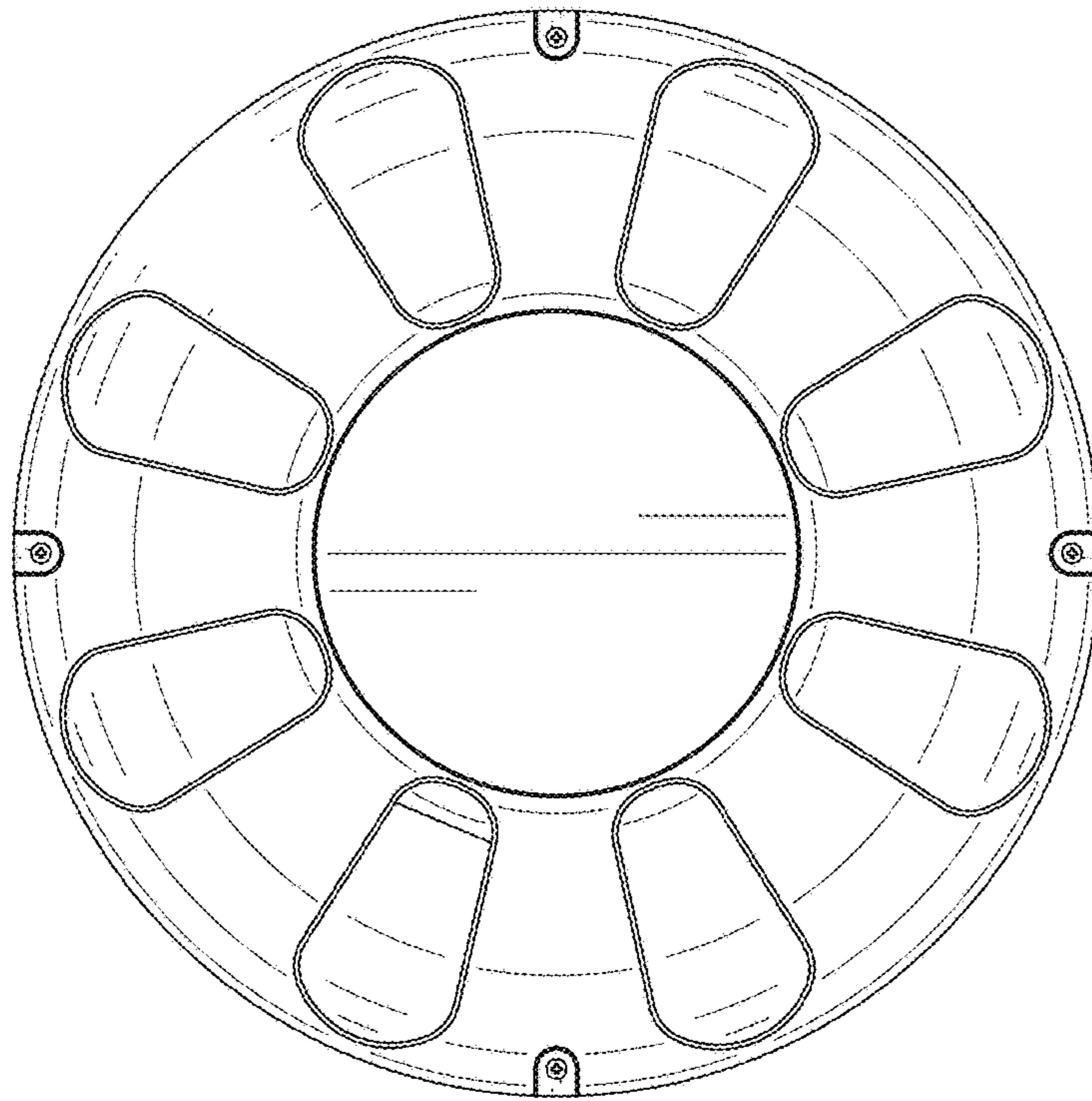


FIG. 6

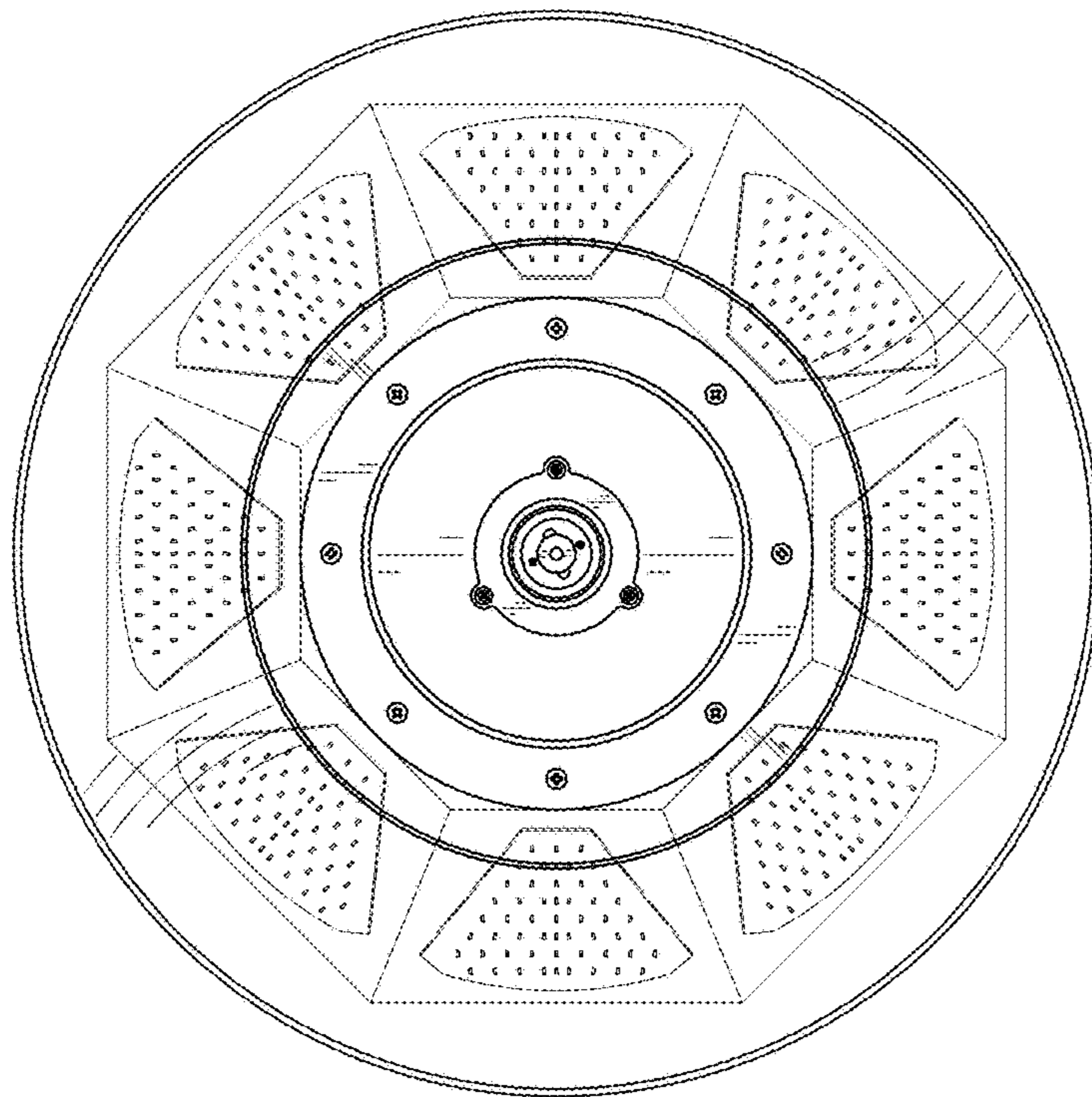


FIG. 7