



US00D776321S

(12) **United States Design Patent**
Saboo

(10) **Patent No.:** **US D776,321 S**

(45) **Date of Patent:** **** Jan. 10, 2017**

(54) **WORK LIGHT**

(71) Applicant: **Vinay Saboo**, Sherman Oaks, CA (US)

(72) Inventor: **Vinay Saboo**, Sherman Oaks, CA (US)

(73) Assignee: **WEST COAST IMPORTS, INC.**,
Commerce, CA (US)

(**) Term: **15 Years**

(21) Appl. No.: **29/552,585**

(22) Filed: **Jan. 22, 2016**

Related U.S. Application Data

(63) Continuation of application No. 29/552,583, filed on
Jan. 22, 2016.

(51) **LOC (10) Cl.** **26-03**

(52) **U.S. Cl.**
USPC **D26/63**

(58) **Field of Classification Search**
USPC D26/1, 24, 61, 63, 65, 85, 92
CPC F21V 21/14; F21V 15/01; F21V 14/02;
F21V 21/30; F21V 21/00; F21V
14/00; F21S 8/00; F21S 8/003; F21S
8/043; F21Y 2105/001

See application file for complete search history.

(56) **References Cited**

U.S. PATENT DOCUMENTS

D291,360 S *	8/1987	De Vos	D26/63
D666,345 S *	8/2012	Wang	D26/63
D699,877 S *	2/2014	Song	D26/63
D759,281 S *	6/2016	Lee	D26/63

* cited by examiner

Primary Examiner — Brian N Vinson

(74) *Attorney, Agent, or Firm* — Law Office of David
Hong

(57) **CLAIM**

The ornamental design for a work light, as shown and
described.

DESCRIPTION

FIG. 1 is a front perspective view of my new design for a
work light;

FIG. 2 is a rear perspective view thereof;

FIG. 3 is a first side elevational view thereof;

FIG. 4 is a second side elevational view thereof.

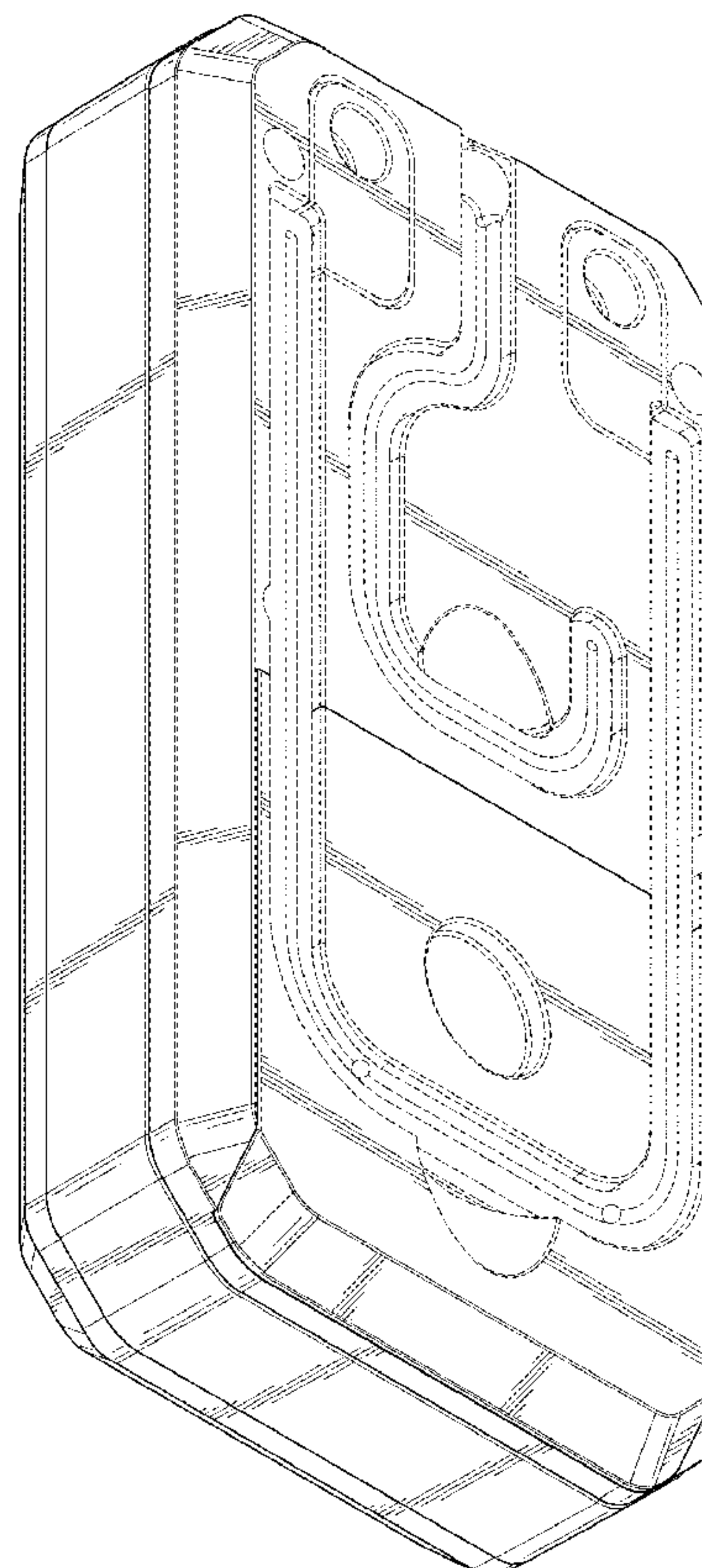
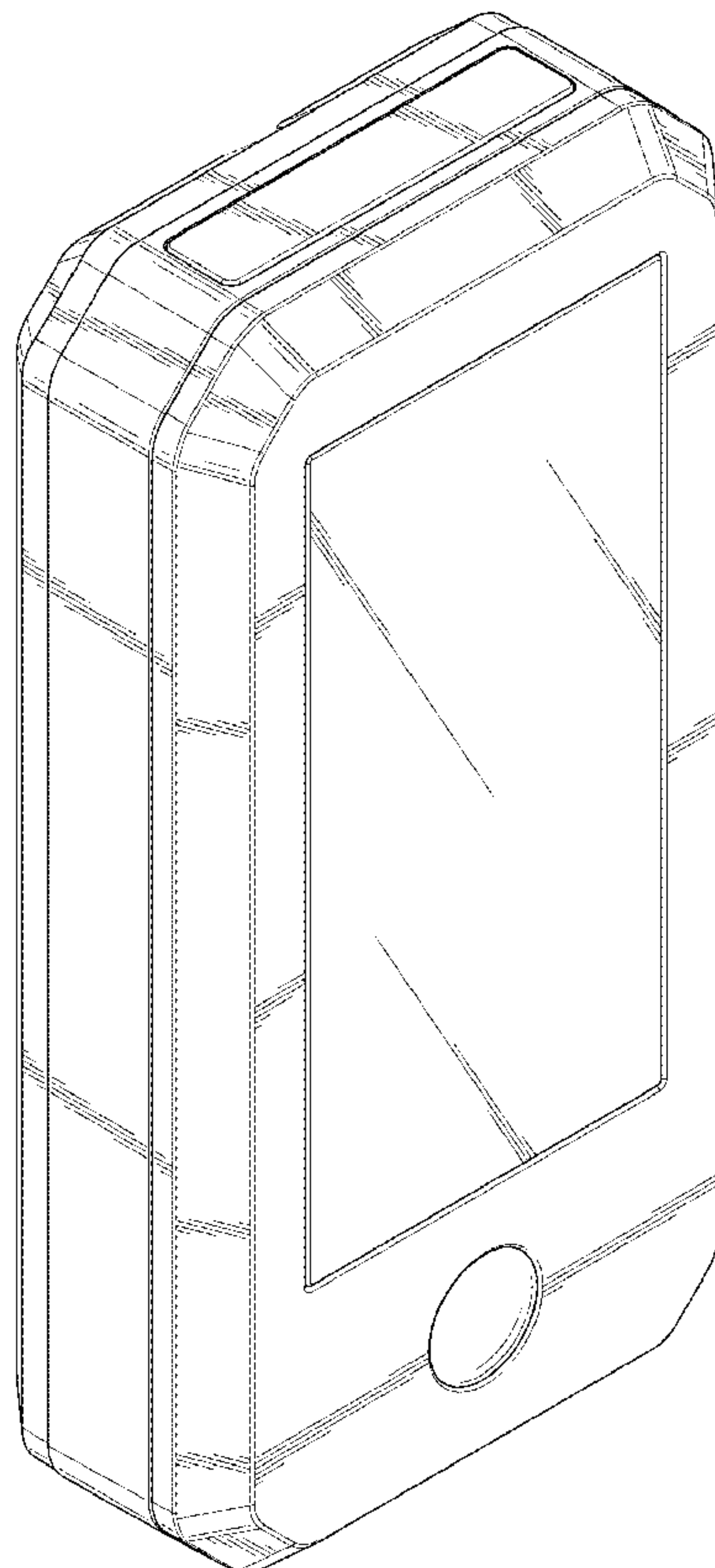
FIG. 5 is a third side elevational view thereof; the fourth side
elevational view is a mirror image of the third side eleva-
tional view thereof.

FIG. 6 is a top view thereof;

FIG. 7 is a bottom view thereof.

The broken lines represent portions of the light which form
no part of the claimed design.

1 Claim, 6 Drawing Sheets



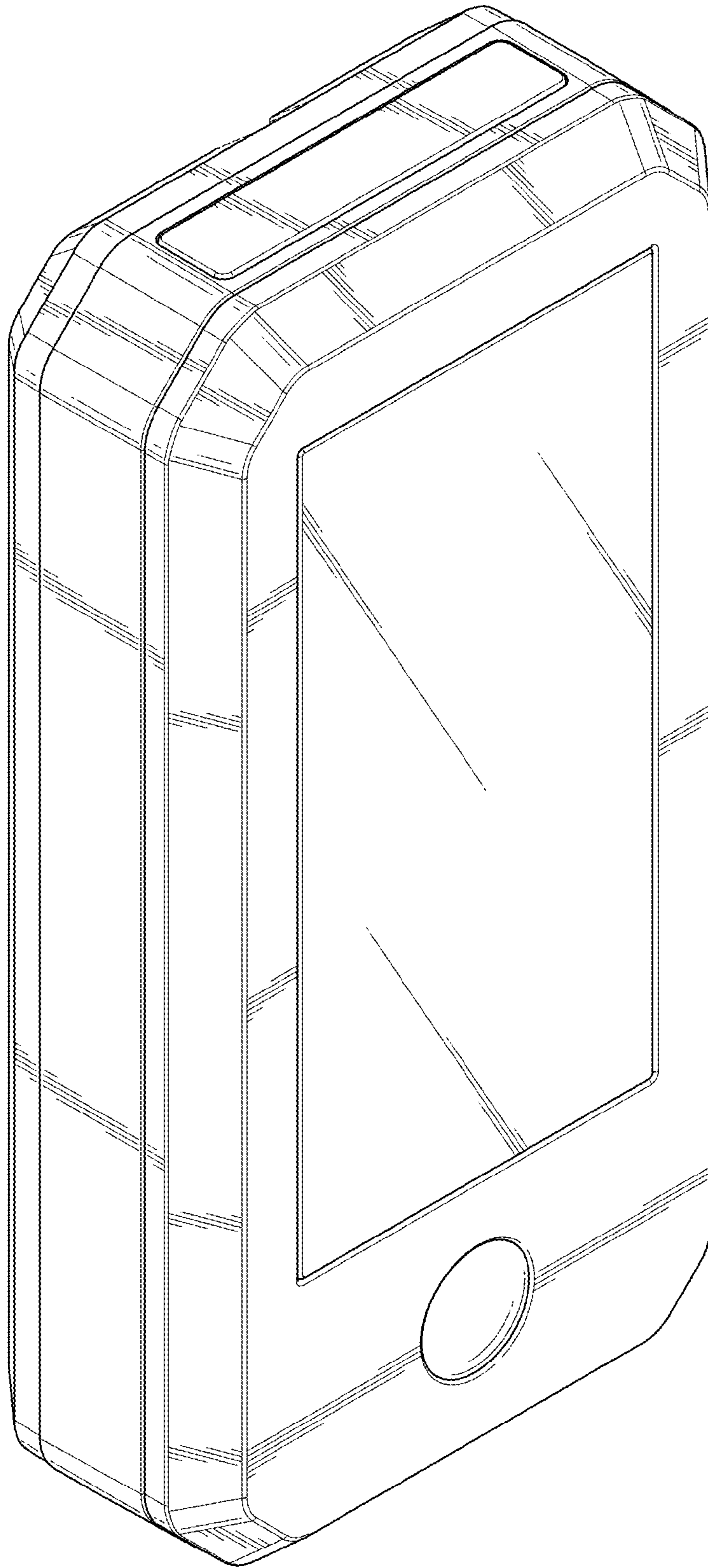


FIG. 1

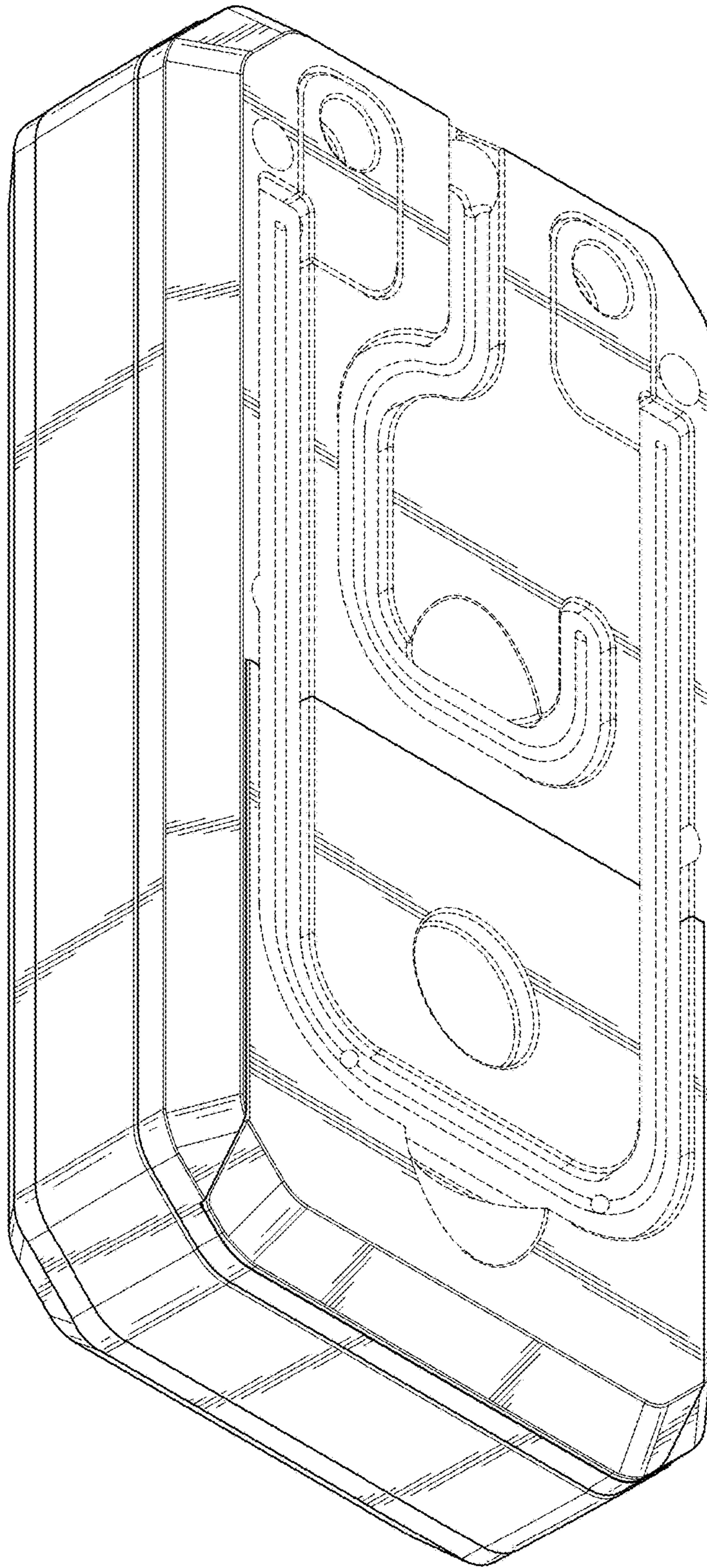


FIG. 2

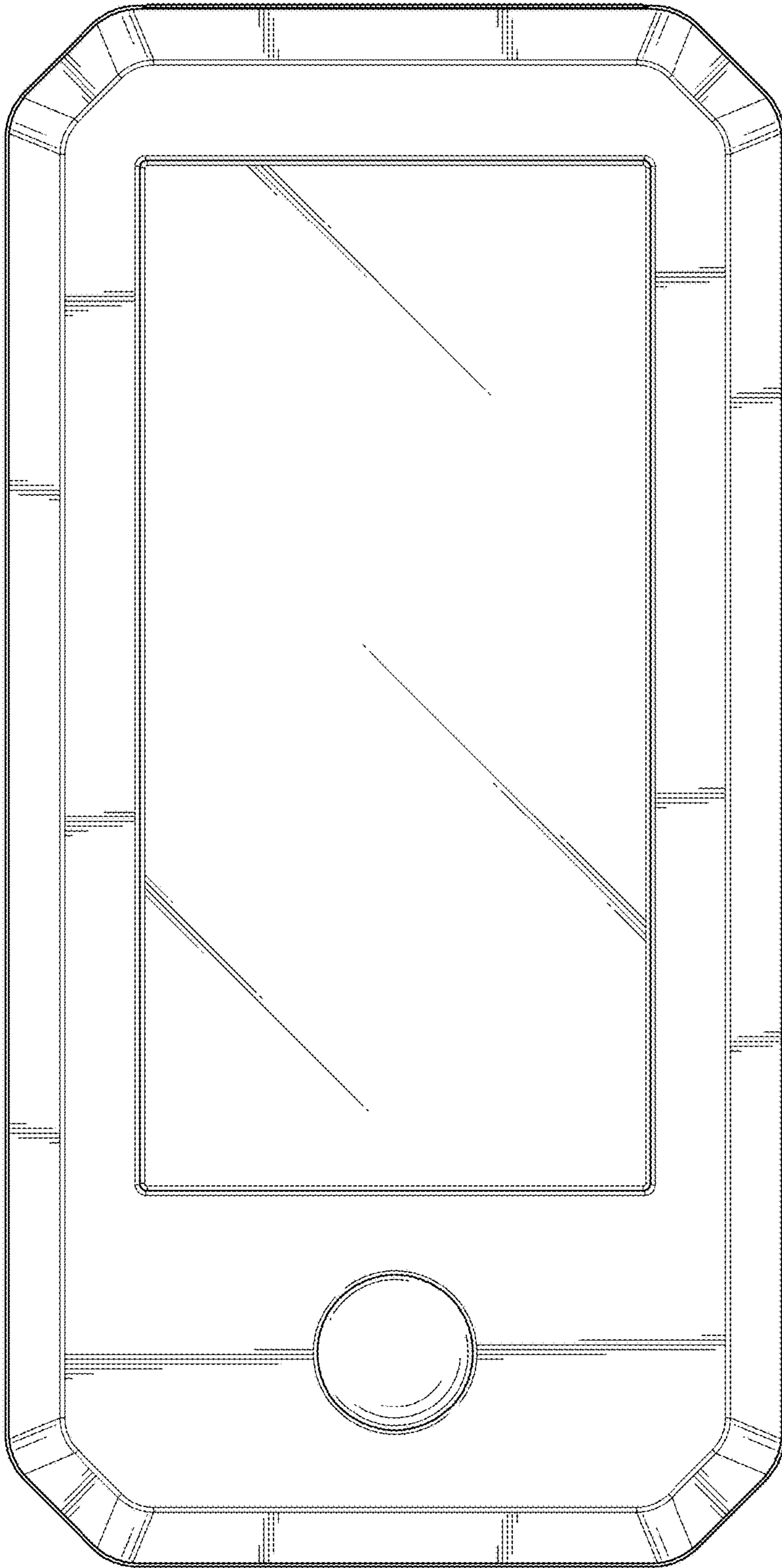


FIG. 3

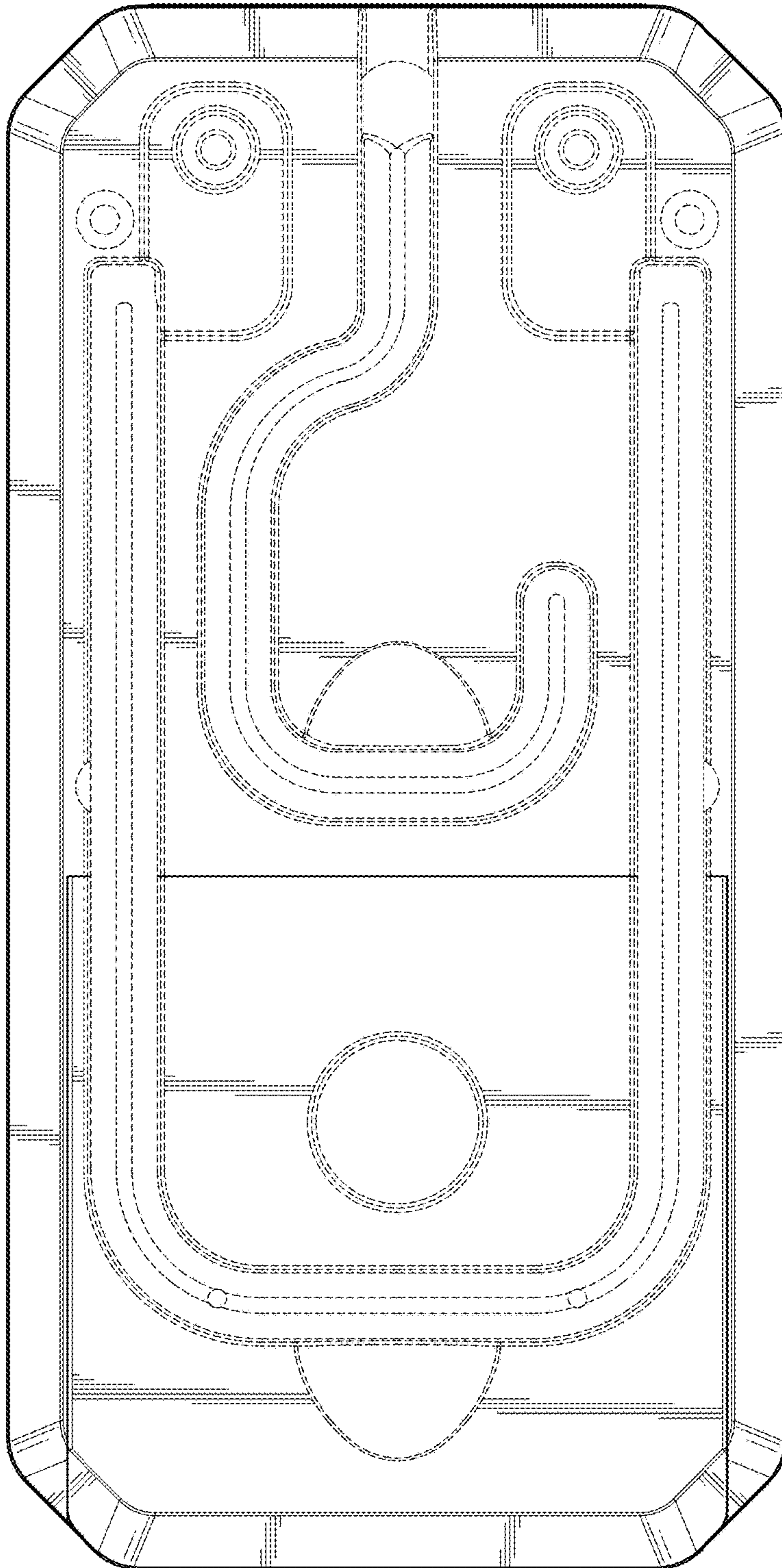


FIG. 4

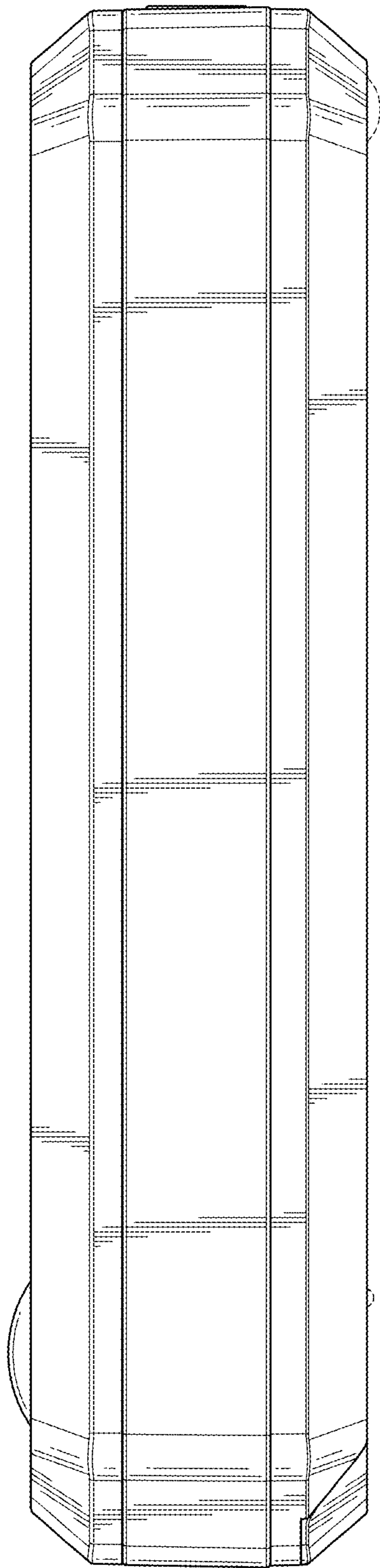


FIG. 5

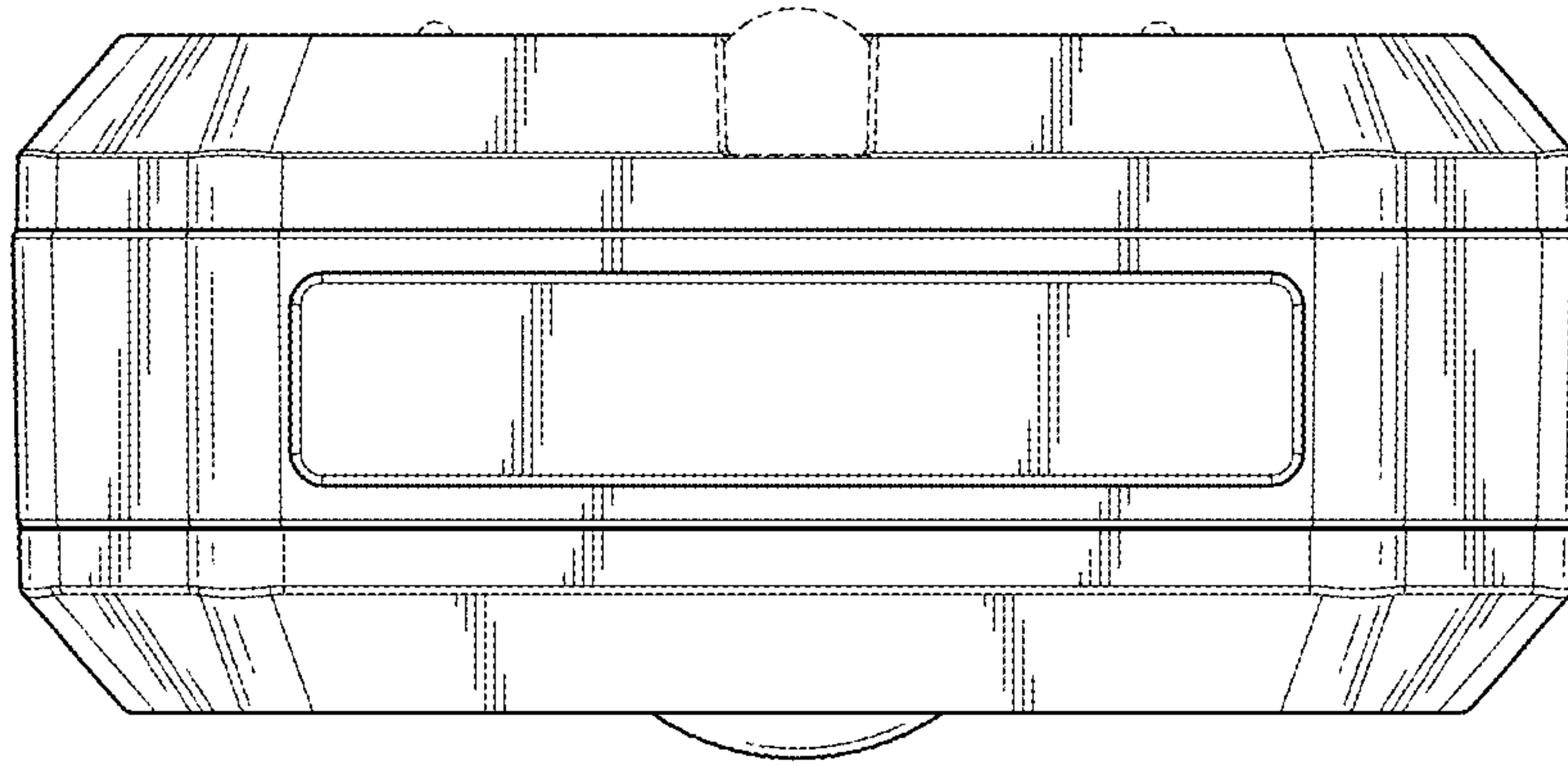


FIG. 6

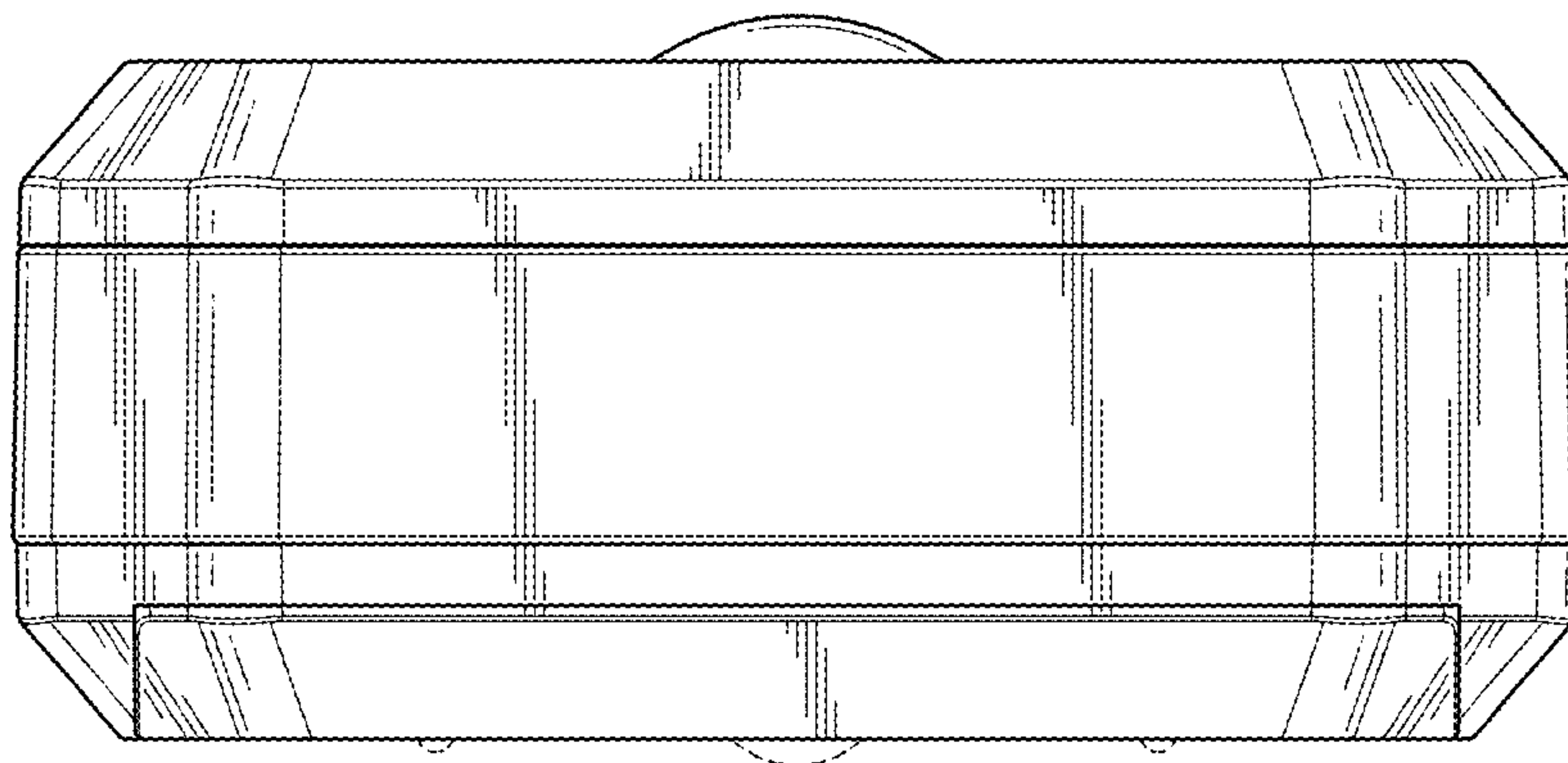


FIG. 7