



US00D776320S

(12) **United States Design Patent**
Bobel

(10) **Patent No.:** **US D776,320 S**

(45) **Date of Patent:** **** Jan. 10, 2017**

(54) **LIGHT FIXTURE**

(71) Applicant: **Neptun Light, Inc.**, Lake Forest, IL
(US)

(72) Inventor: **Andrzej Bobel**, Lake Forest, IL (US)

(73) Assignee: **Neptun Light, Inc.**, Lake Forest, IL
(US)

(**) Term: **15 Years**

(21) Appl. No.: **29/543,254**

(22) Filed: **Oct. 22, 2015**

(51) **LOC (10) Cl.** **26-03**

(52) **U.S. Cl.**
USPC **D26/63**

(58) **Field of Classification Search**
USPC D26/60-66, 72, 85, 87, 92
CPC F21K 9/00; F21V 5/007; F21V 7/005;
F21V 7/0083; F21V 11/04; F21V 11/14;
F21V 15/01; F21V 19/001; F21V 21/002;
F21V 21/06; F21V 21/0885; F21V
21/145; F21V 21/30; F21V 33/0024
See application file for complete search history.

(56) **References Cited**

U.S. PATENT DOCUMENTS

D226,020 S * 1/1973 Anderson D26/63
D625,870 S * 10/2010 Feigenbaum D26/63

D650,109 S * 12/2011 Maxik D26/63
D654,607 S * 2/2012 Kim D26/63
D689,234 S * 9/2013 Zhang D26/63
D695,435 S * 12/2013 Pedersen D26/63

* cited by examiner

Primary Examiner — Brian N Vinson

(74) *Attorney, Agent, or Firm* — Adam S. Bobel

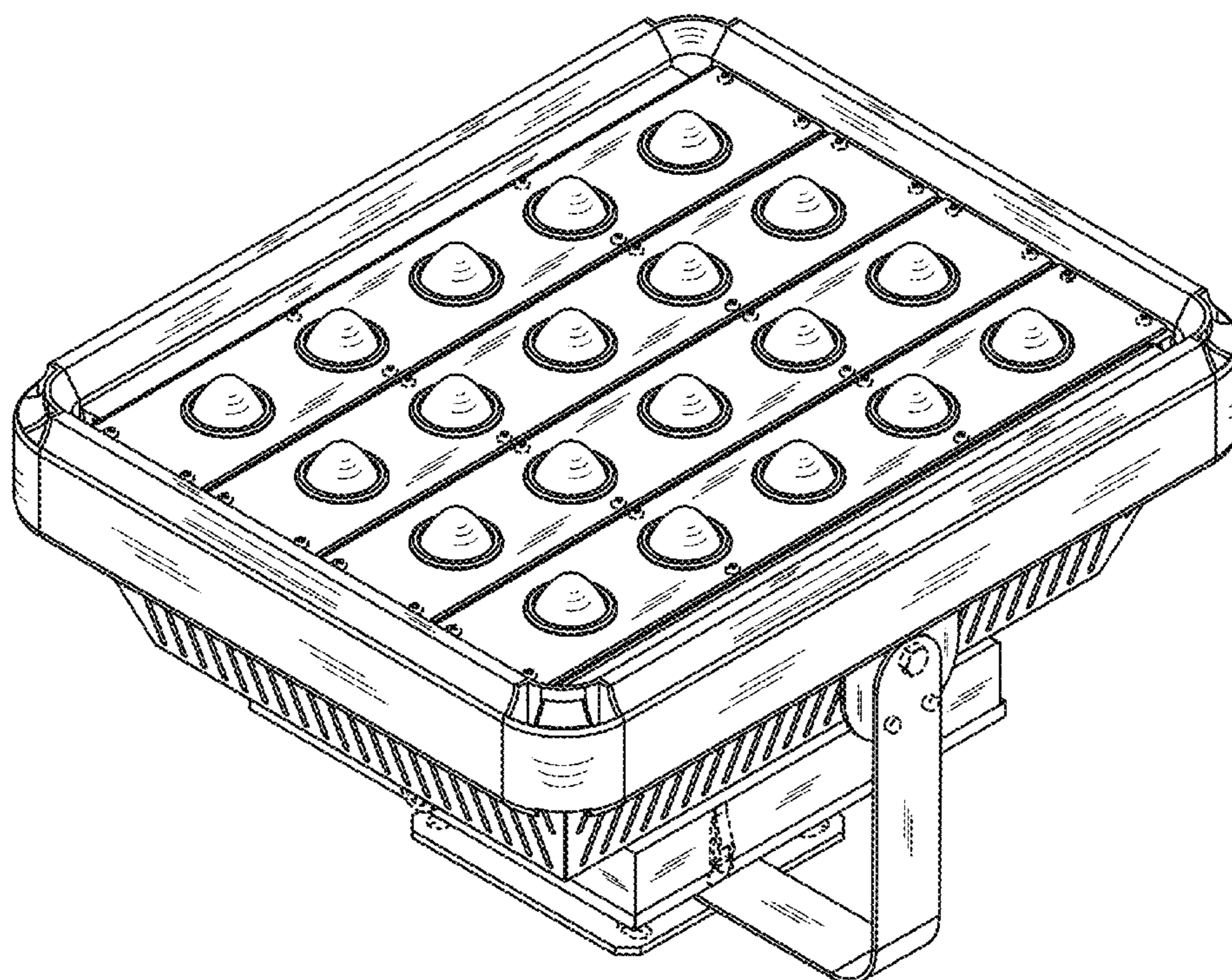
(57) **CLAIM**

The ornamental design for a light fixture, as shown and described.

DESCRIPTION

FIG. 1 is a left side view of light fixture showing the claimed design;
FIG. 2 is a front side view thereof;
FIG. 3 is a rear side view thereof;
FIG. 4 is a right side view thereof;
FIG. 5 is a top perspective view thereof;
FIG. 6 is a top side view thereof;
FIG. 7 is a bottom perspective view thereof; and,
FIG. 8 is a bottom side view thereof.
The broken line disclosure represents unclaimed portions of the light fixture.

1 Claim, 8 Drawing Sheets



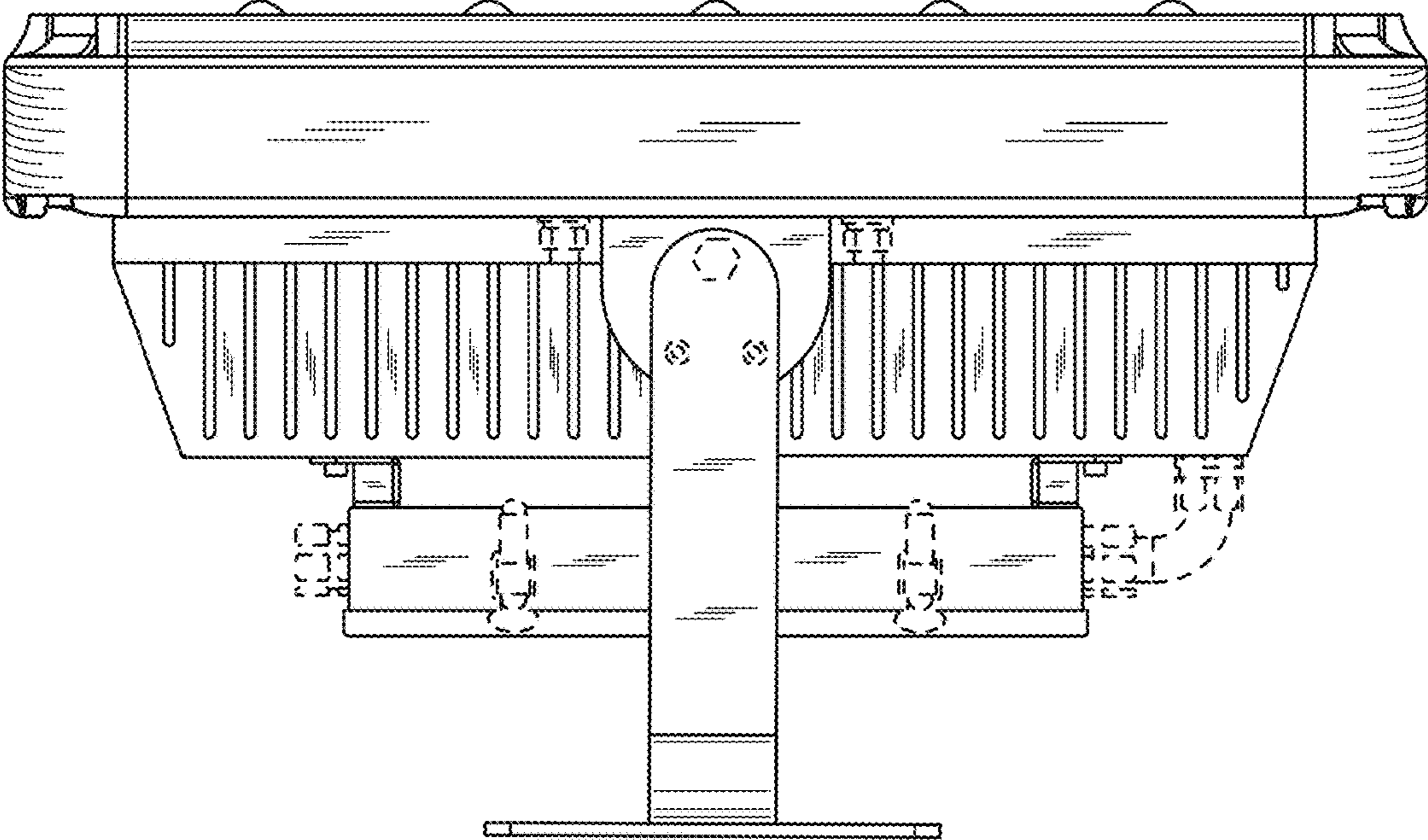


Fig. 1

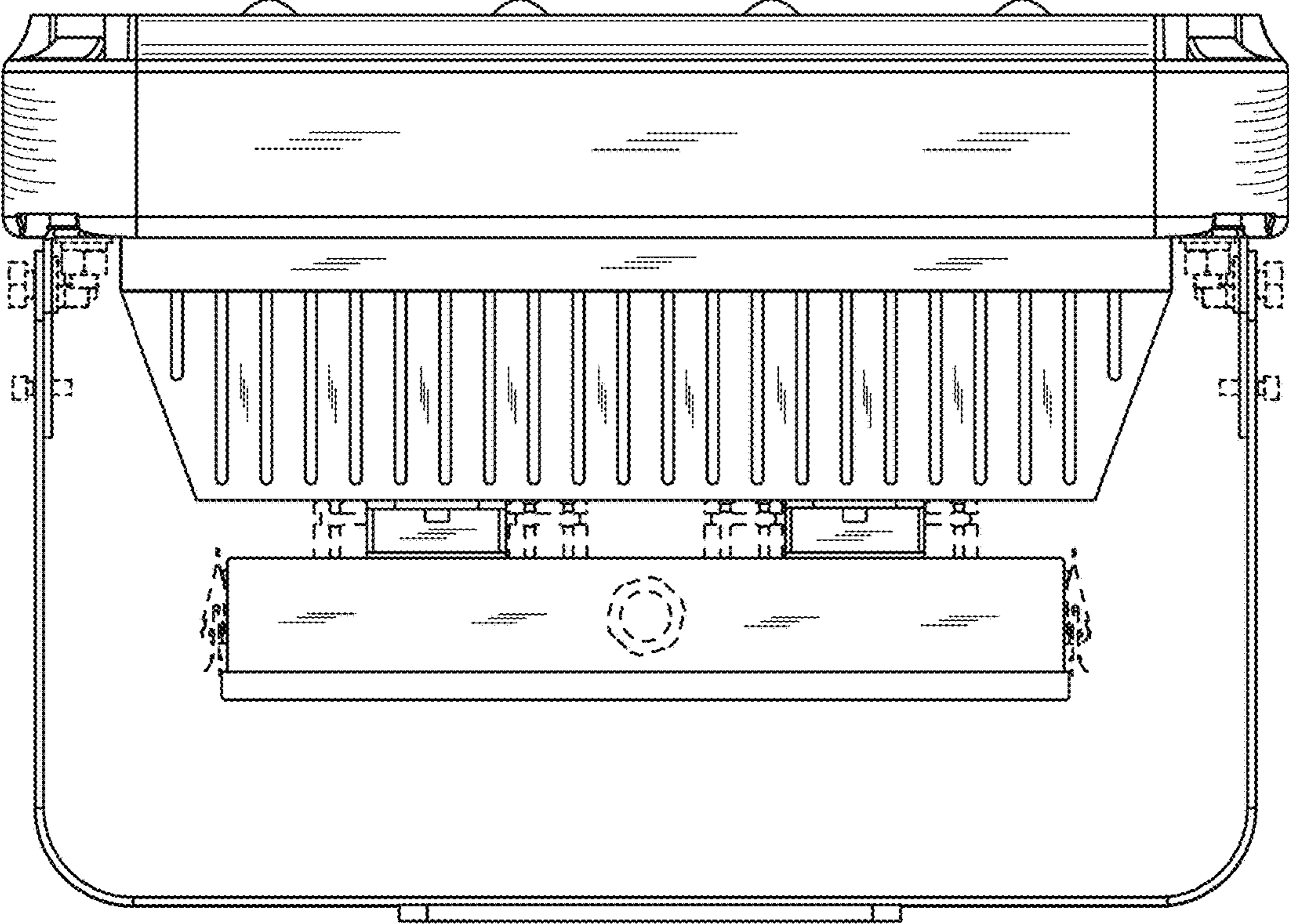


Fig. 2

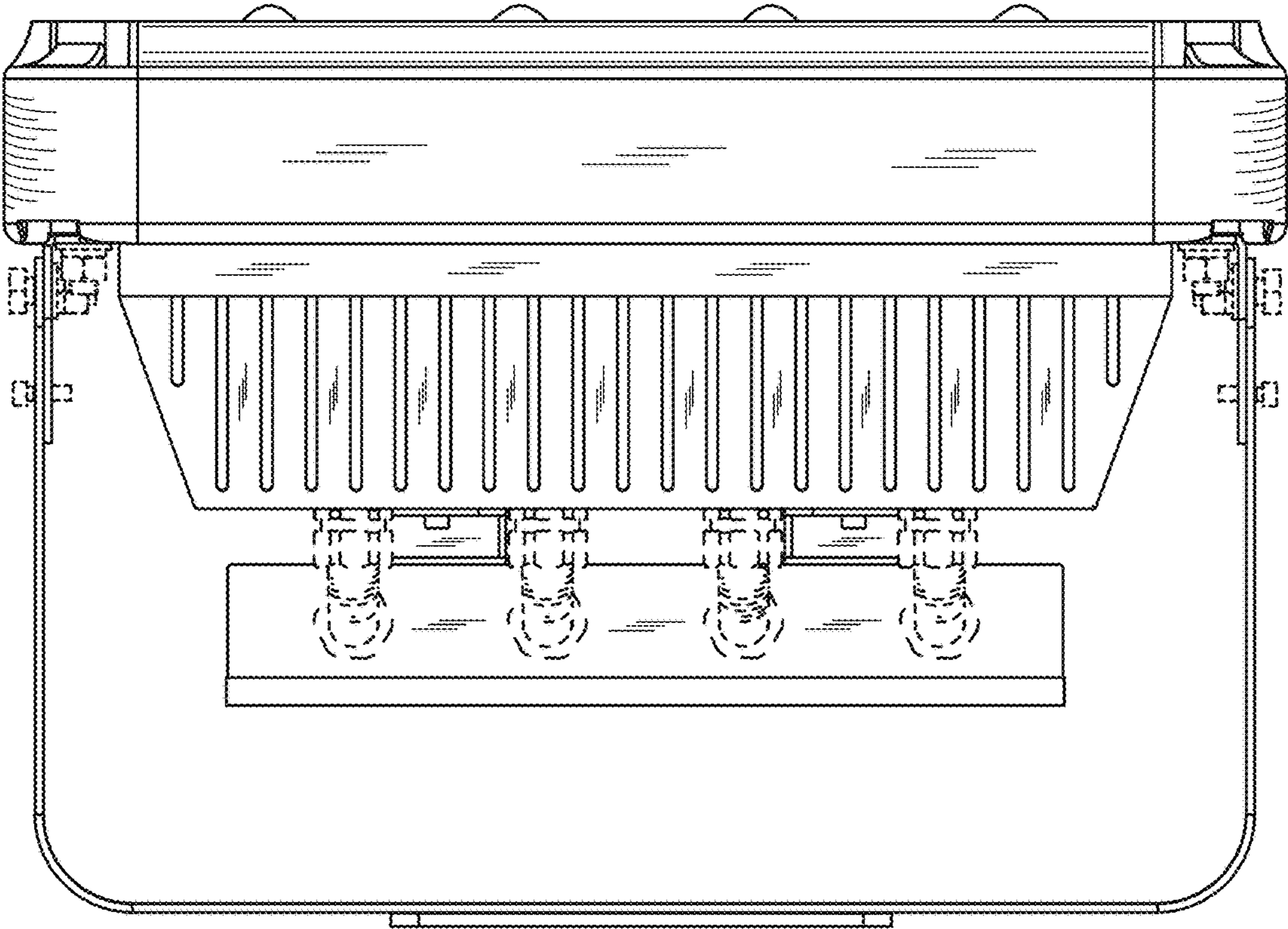


Fig. 3

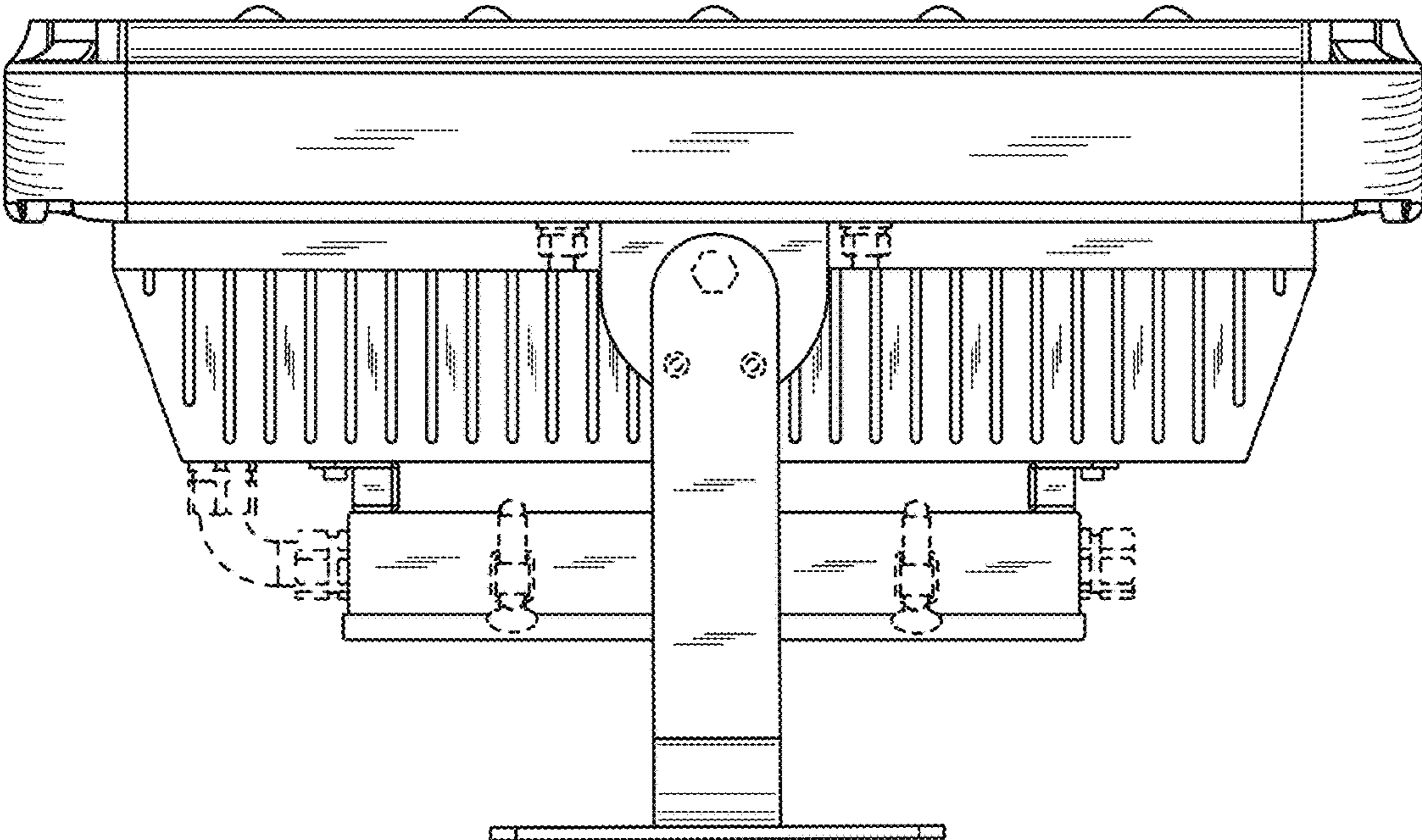


Fig. 4

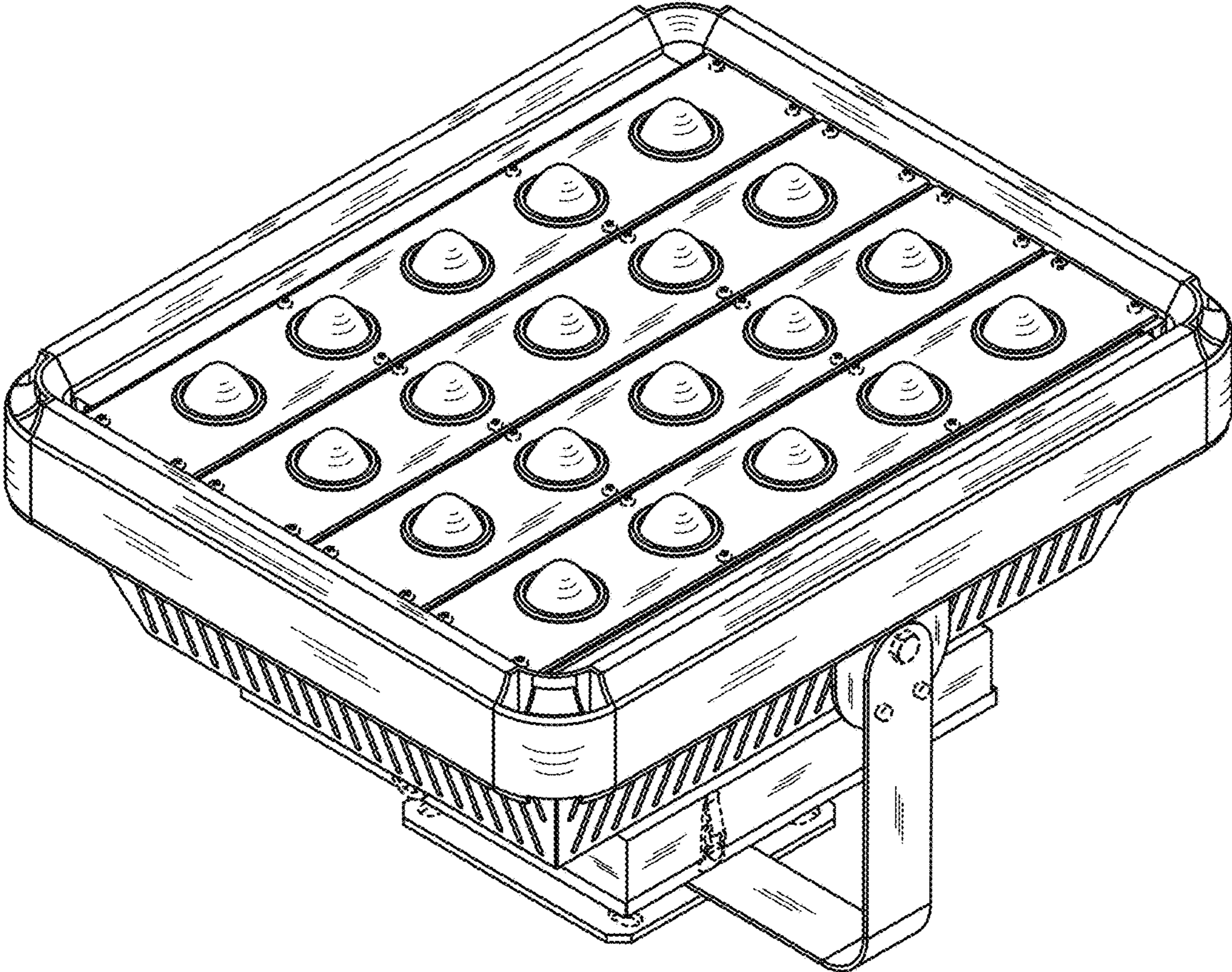


Fig. 5

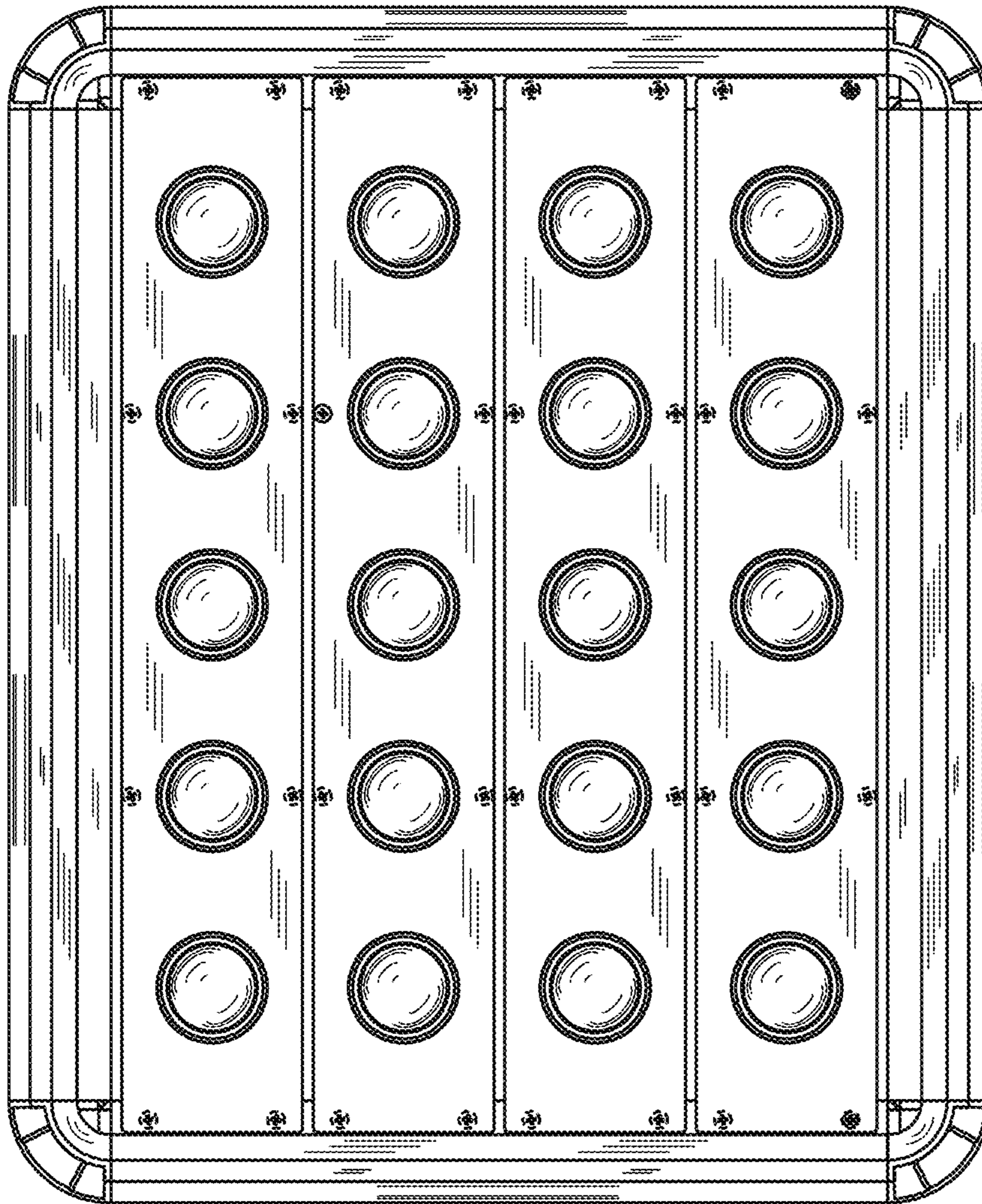


Fig. 6

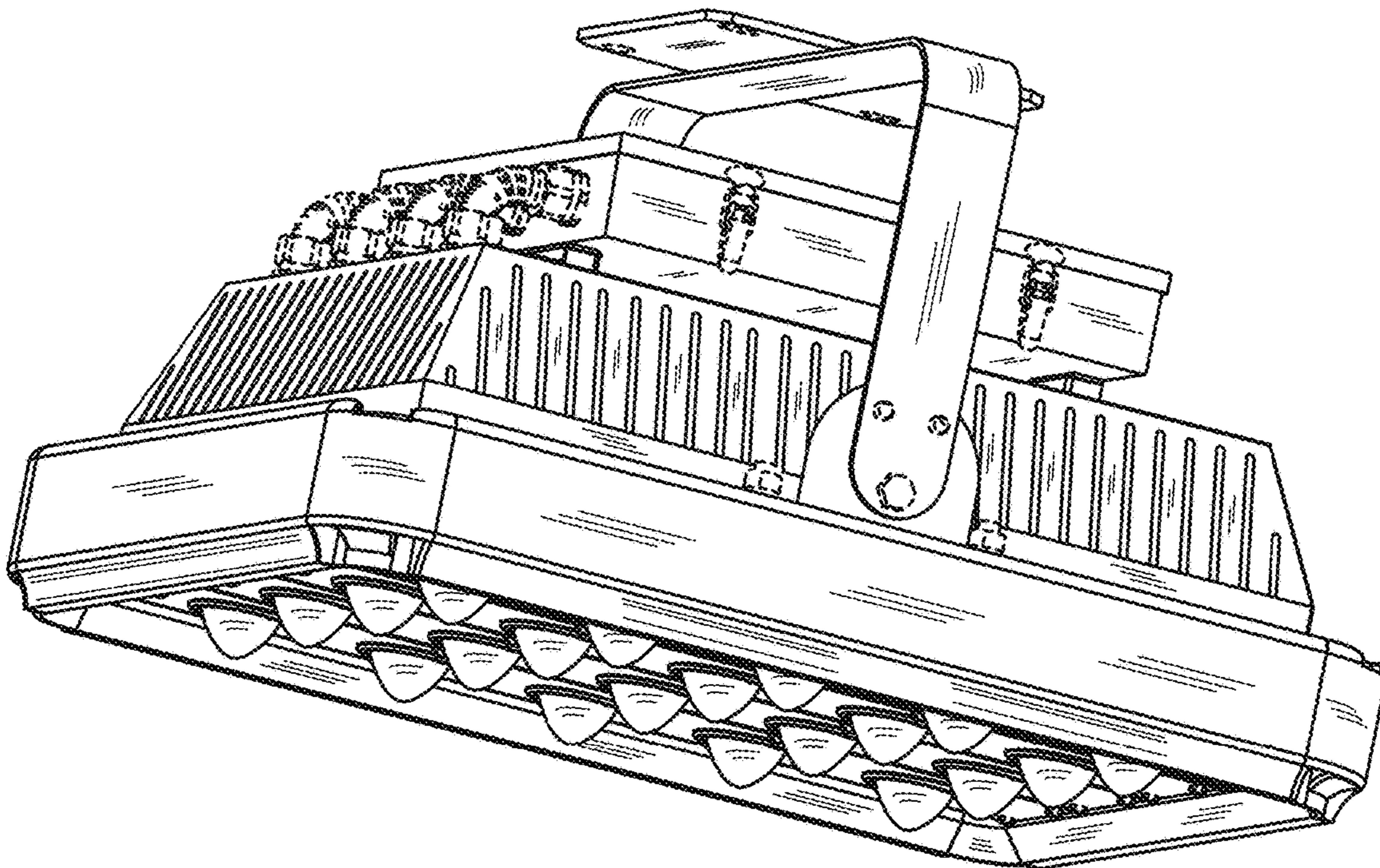


Fig. 7

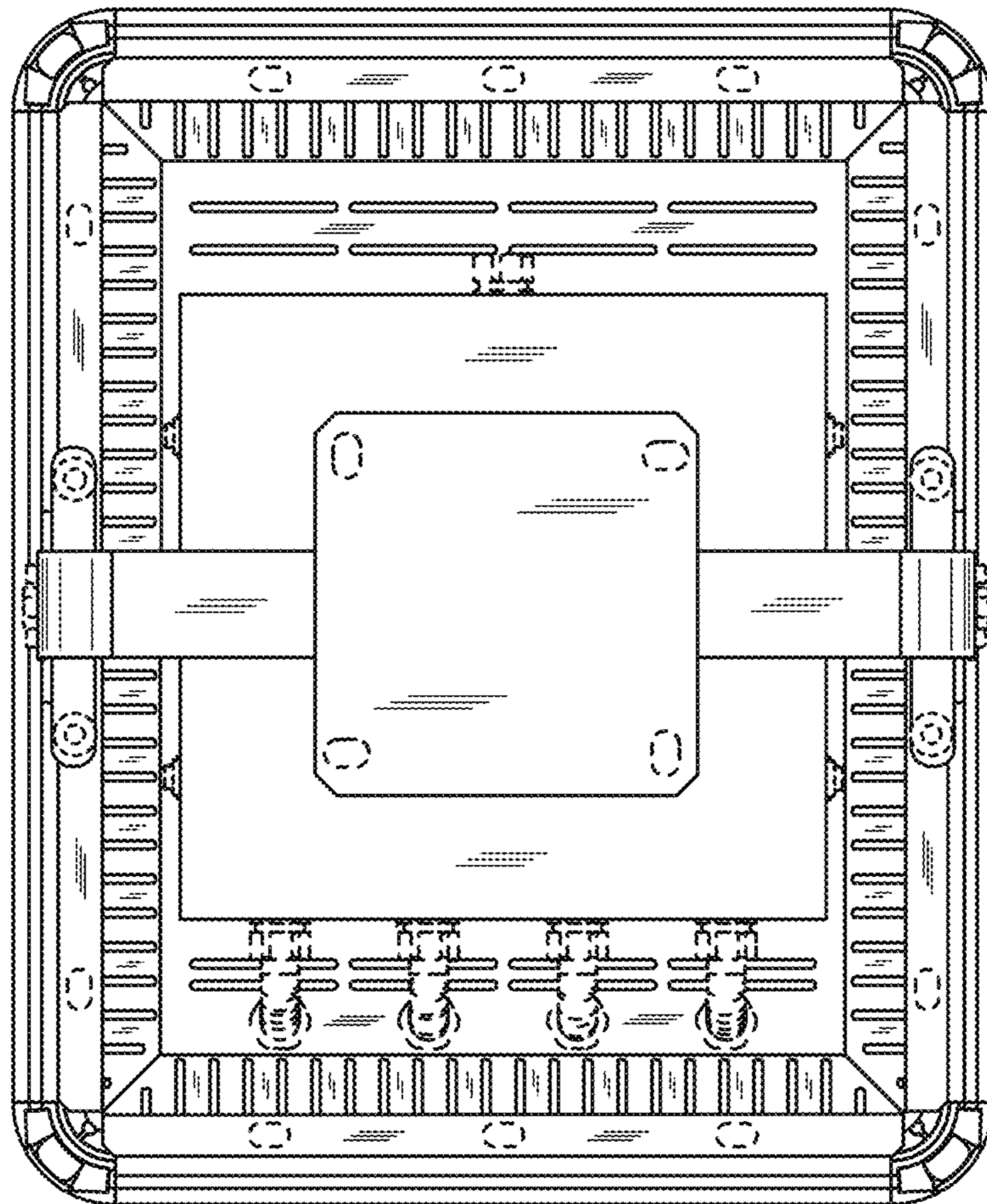


Fig. 8