



US00D776319S

(12) **United States Design Patent** (10) **Patent No.:** **US D776,319 S**  
**Sato** (45) **Date of Patent:** **\*\* Jan. 10, 2017**

(54) **LAMP**

(71) Applicant: **Louis Poulsen A/S**, Copenhagen K (DK)

(72) Inventor: **Oki Sato**, Tokyo (JP)

(73) Assignee: **Louis Poulsen A/S**, Copenhagen (DK)

(\*\*) Term: **15 Years**

(21) Appl. No.: **29/528,140**

(22) Filed: **May 26, 2015**

(30) **Foreign Application Priority Data**

Nov. 26, 2014 (EM) ..... 002585711

(51) **LOC (10) Cl.** ..... **26-03**

(52) **U.S. Cl.**  
USPC ..... **D26/63**

(58) **Field of Classification Search**

USPC ..... D26/1, 24, 61, 63, 65, 85, 93, 106, 107  
CPC ..... F21V 21/14; F21V 15/01; F21V 14/02;  
F21V 21/30; F21V 21/00; F21V  
14/00; F21S 8/00; F21S 8/003; F21S  
8/043; F21Y 2105/001

See application file for complete search history.

(56) **References Cited**

**U.S. PATENT DOCUMENTS**

D310,886 S \* 9/1990 Gismondi ..... D26/65  
D330,266 S \* 10/1992 Lin ..... D26/65

D588,737 S \* 3/2009 Fu ..... D26/63  
D599,930 S \* 9/2009 Huang ..... D26/63  
D628,729 S \* 12/2010 Citterio ..... D26/65  
D690,858 S \* 10/2013 Citterio ..... D26/63  
D744,683 S \* 12/2015 Fukasawa ..... D26/63

\* cited by examiner

*Primary Examiner* — Brian N Vinson

(74) *Attorney, Agent, or Firm* — Flener IP Law, LLC;  
Zareefa B. Flener

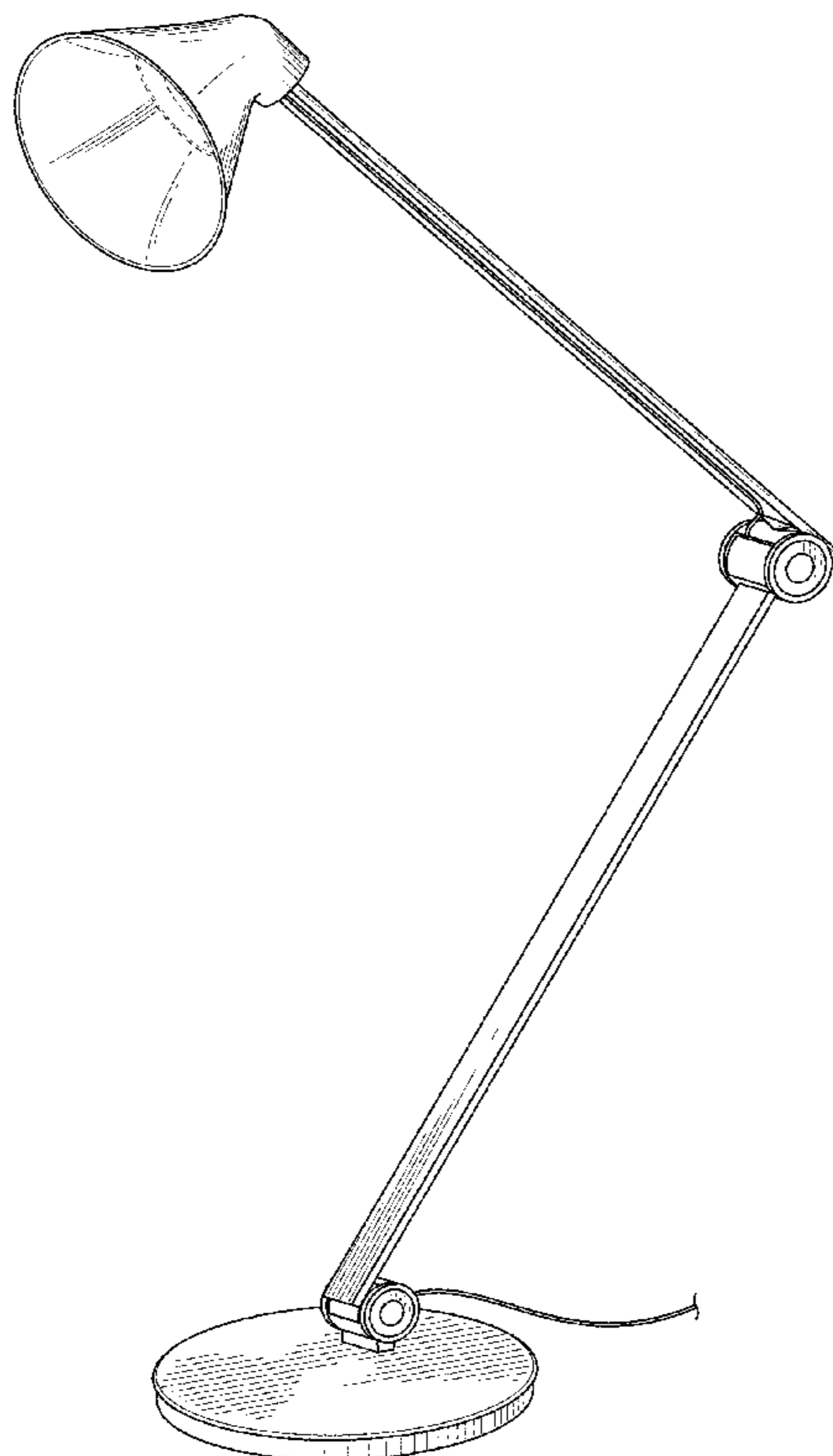
(57) **CLAIM**

An ornamental design for a lamp, as shown and described.

**DESCRIPTION**

FIG. 1 is a front perspective view of a lamp showing our design;  
FIG. 2 is a left side elevational view thereof;  
FIG. 3 is a right side elevational view thereof;  
FIG. 4 is a front elevational view thereof;  
FIG. 5 is a rear elevational view thereof;  
FIG. 6 is a top plan view thereof;  
FIG. 7 is a bottom plan view thereof; and,  
FIG. 8 is a rear perspective view thereof.  
The broken lines shown in the drawings represent unclaimed portions of the lamp and form no part of the lamp.

**1 Claim, 6 Drawing Sheets**



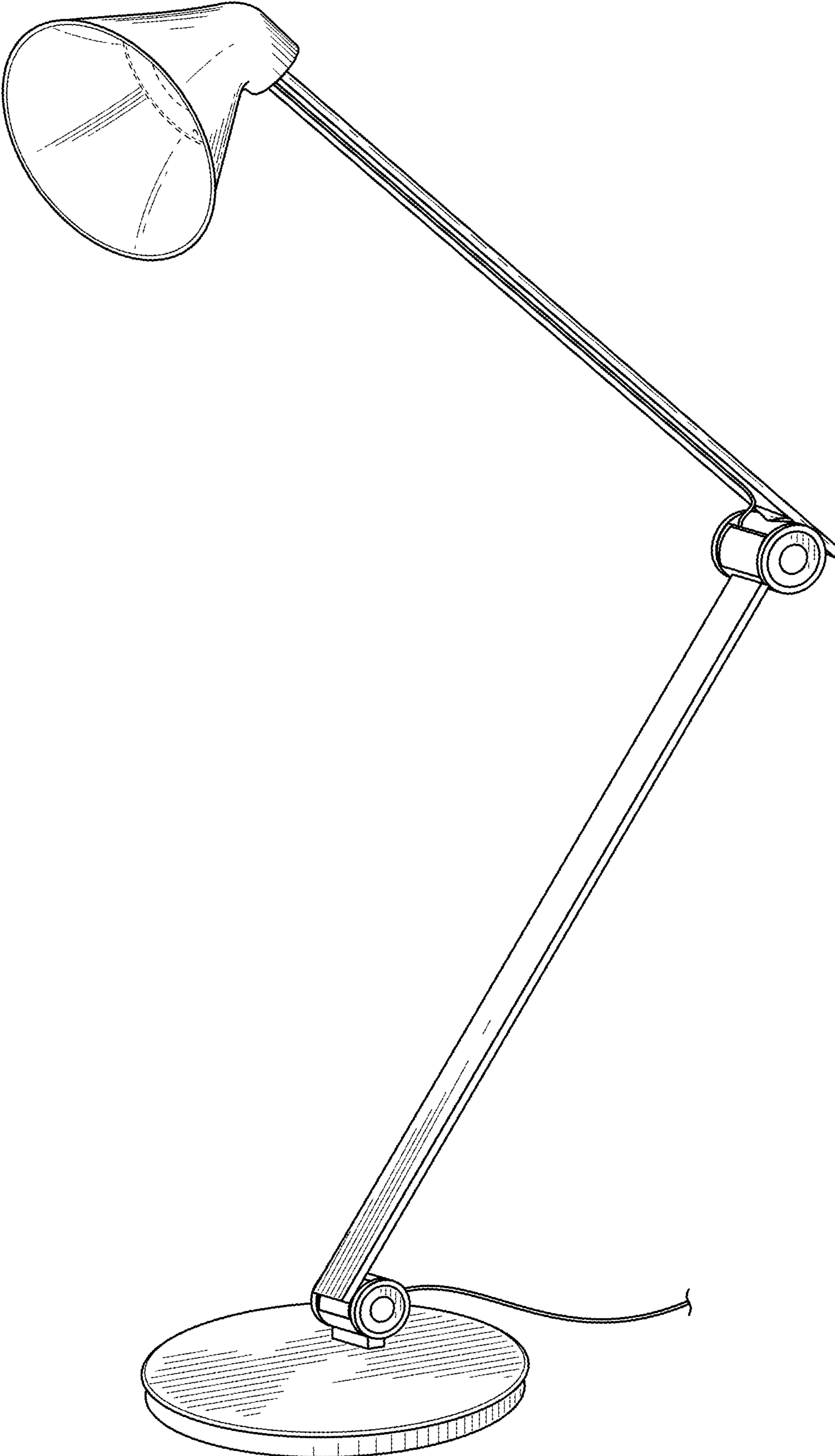


FIG. 1

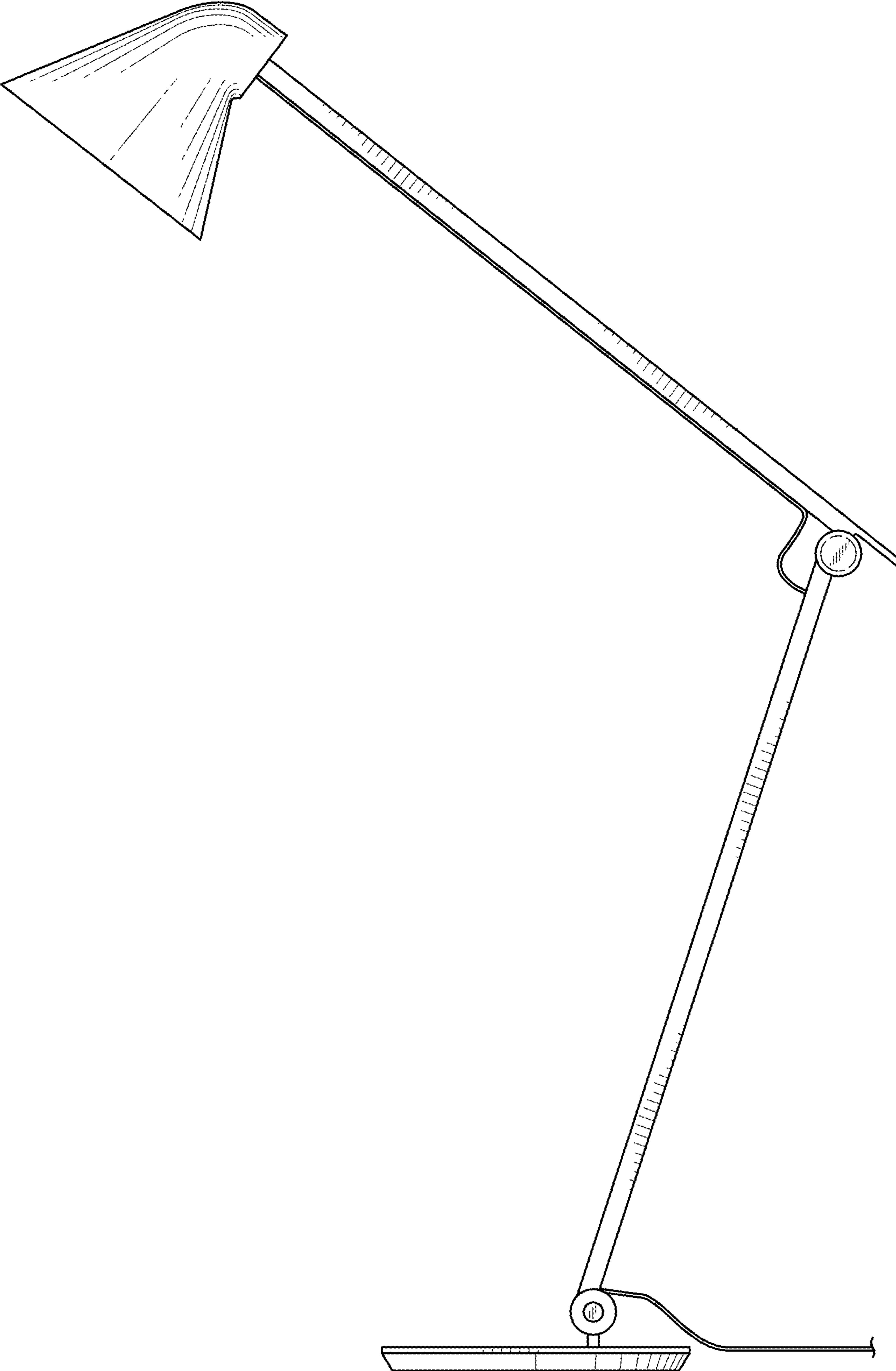


FIG. 2

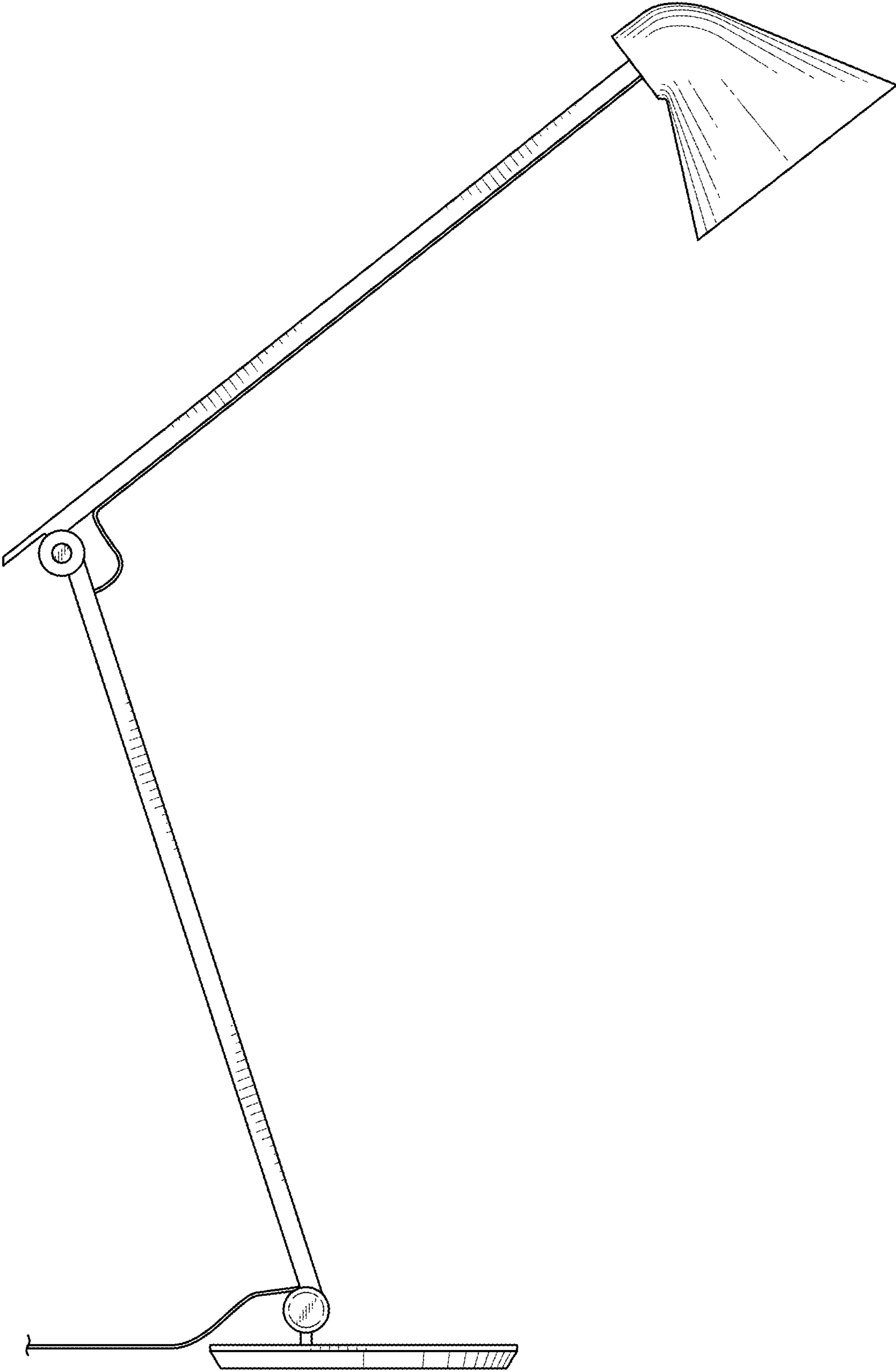


FIG. 3

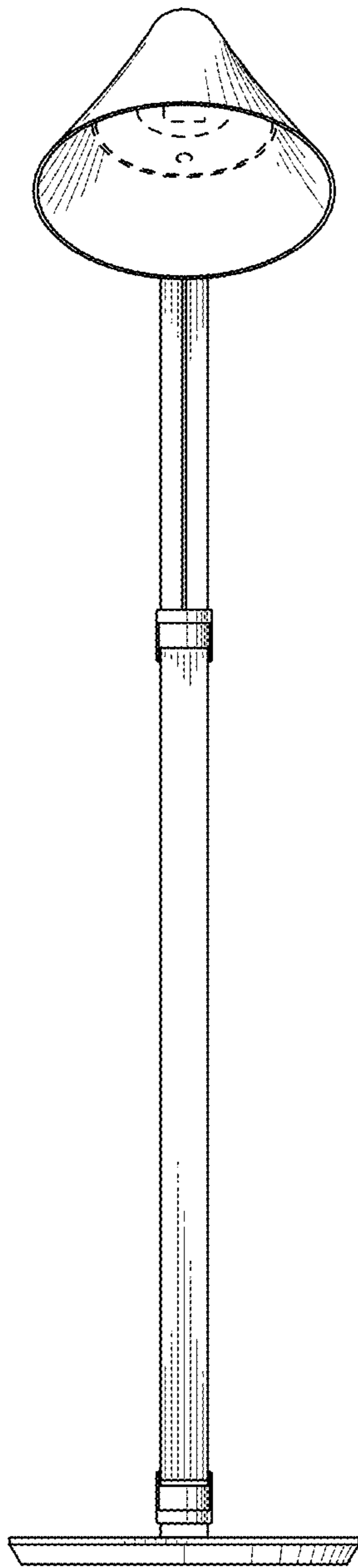


FIG. 4

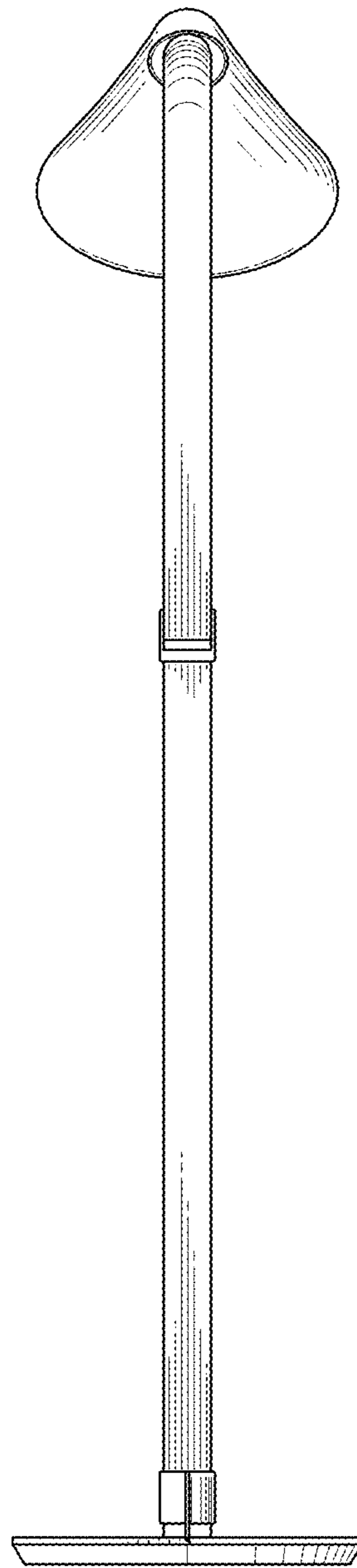


FIG. 5

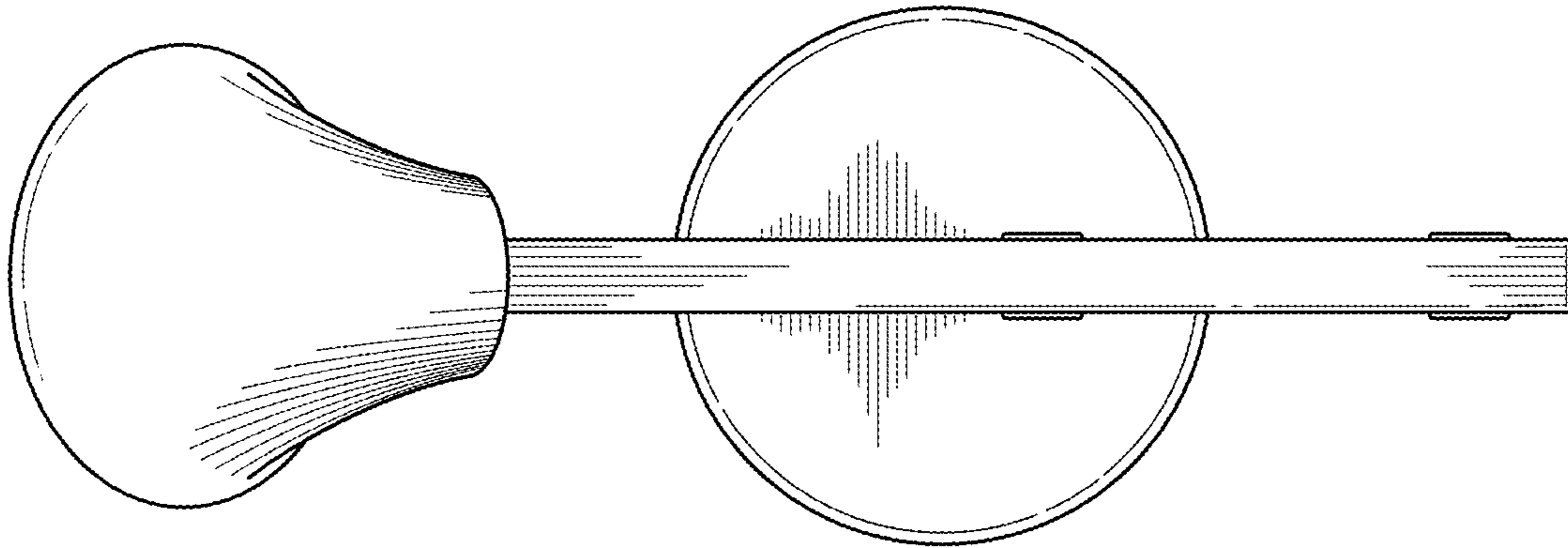


FIG. 6

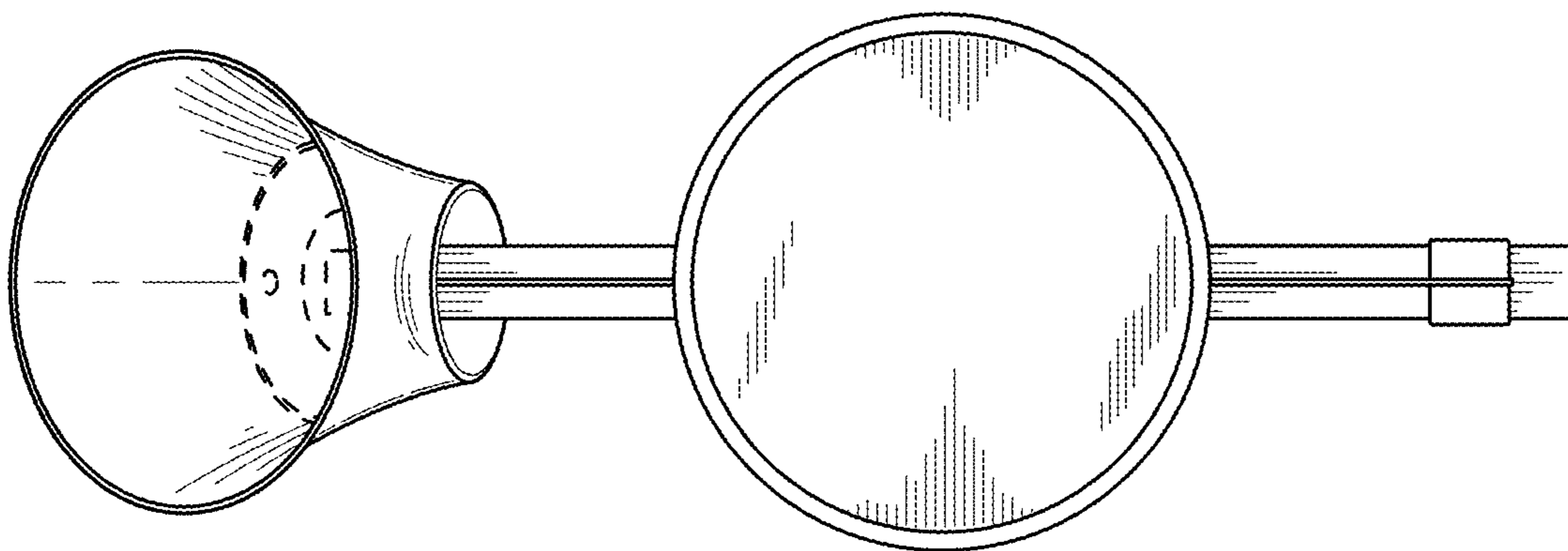


FIG. 7

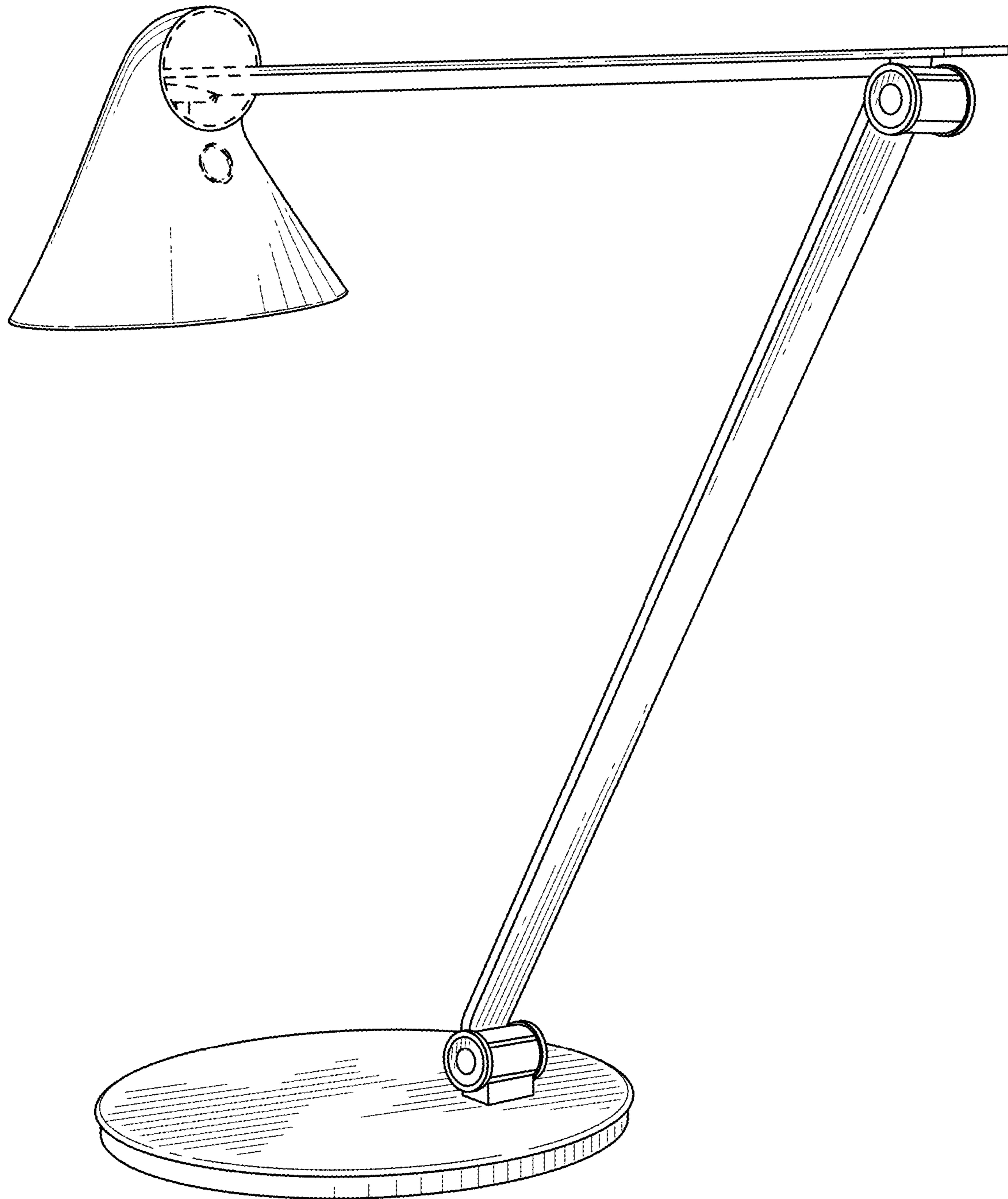


FIG. 8