



US00D776318S

(12) **United States Design Patent** (10) **Patent No.:** **US D776,318 S**
Ye (45) **Date of Patent:** **** Jan. 10, 2017**

(54) **TABLE LAMP**
(71) Applicant: **Xiaolin Ye**, Shenzhen (CN)
(72) Inventor: **Xiaolin Ye**, Shenzhen (CN)
(73) Assignee: **Xiao-Lin Ye**, Shenzhen (CN)
(**) Term: **14 Years**
(21) Appl. No.: **29/520,663**
(22) Filed: **Mar. 17, 2015**
(51) **LOC (10) Cl.** **26-03**
(52) **U.S. Cl.**
USPC **D26/63**
(58) **Field of Classification Search**
USPC D26/1, 24, 61, 63, 65, 85, 93, 106, 107
CPC F21V 21/14; F21V 15/01; F21V 14/02;
F21V 21/30; F21V 21/00; F21V
14/00; F21S 8/00; F21S 8/003; F21S
8/043; F21Y 2105/001
See application file for complete search history.

(56) **References Cited**
U.S. PATENT DOCUMENTS
D269,297 S * 6/1983 Lebowitz D26/60
D588,737 S * 3/2009 Fu D26/63

D599,930 S * 9/2009 Huang D26/63
D628,729 S * 12/2010 Citterio D26/65
D674,531 S * 1/2013 Yuen D26/93
D690,858 S * 10/2013 Citterio D26/63

* cited by examiner

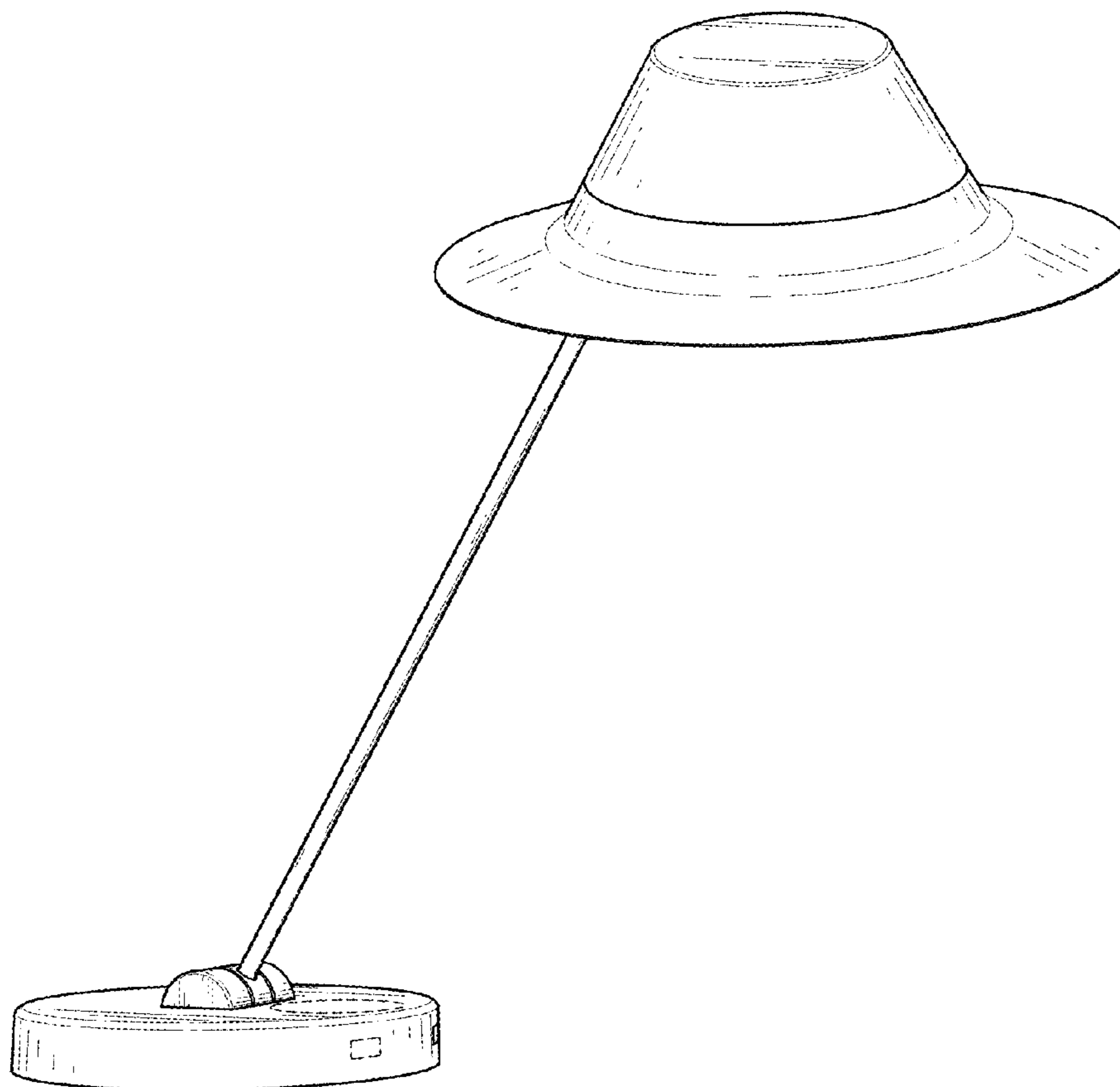
Primary Examiner — Brian N Vinson
(74) *Attorney, Agent, or Firm* — Zhigang Ma

(57) **CLAIM**
The ornamental design for a table lamp, as shown and described.

DESCRIPTION

FIG. 1 and is a front perspective view of a tablelamp showing my new design;
FIG. 2 is a front elevational view thereof;
FIG. 3 is a rear elevational view thereof;
FIG. 4 is a left side elevational view thereof;
FIG. 5 is a right side elevational view thereof;
FIG. 6 is a top plan view thereof; and,
FIG. 7 is a bottom plan view thereof.
The dot-dash broken lines represent the rounding surfaces of the claimed design. All other broken lines depict portions of the tablelamp that form no part of the claimed design. The broken lines and unshaded regions bounded by broken lines form no part of the claimed design.

1 Claim, 7 Drawing Sheets



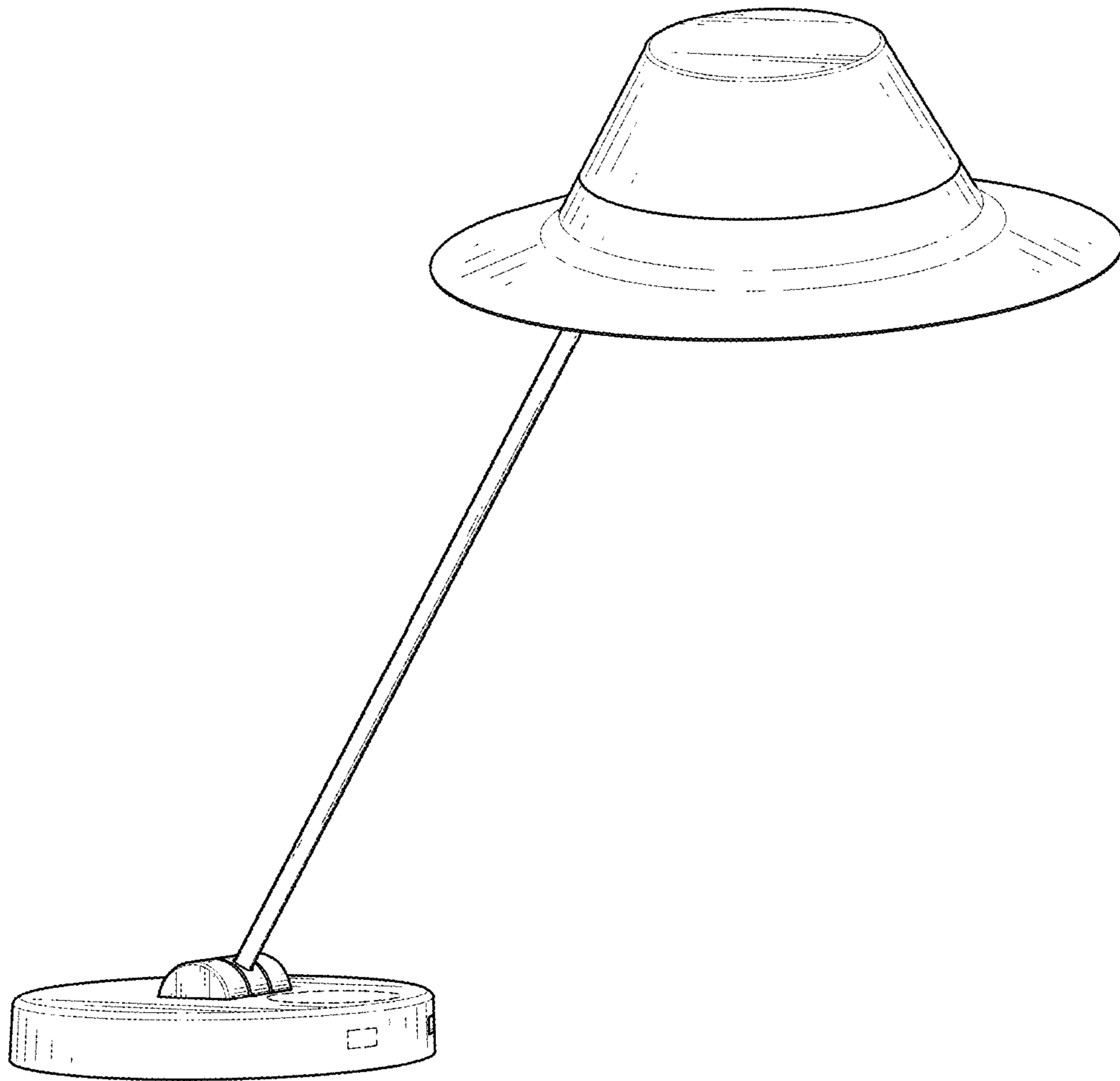


FIG. 1

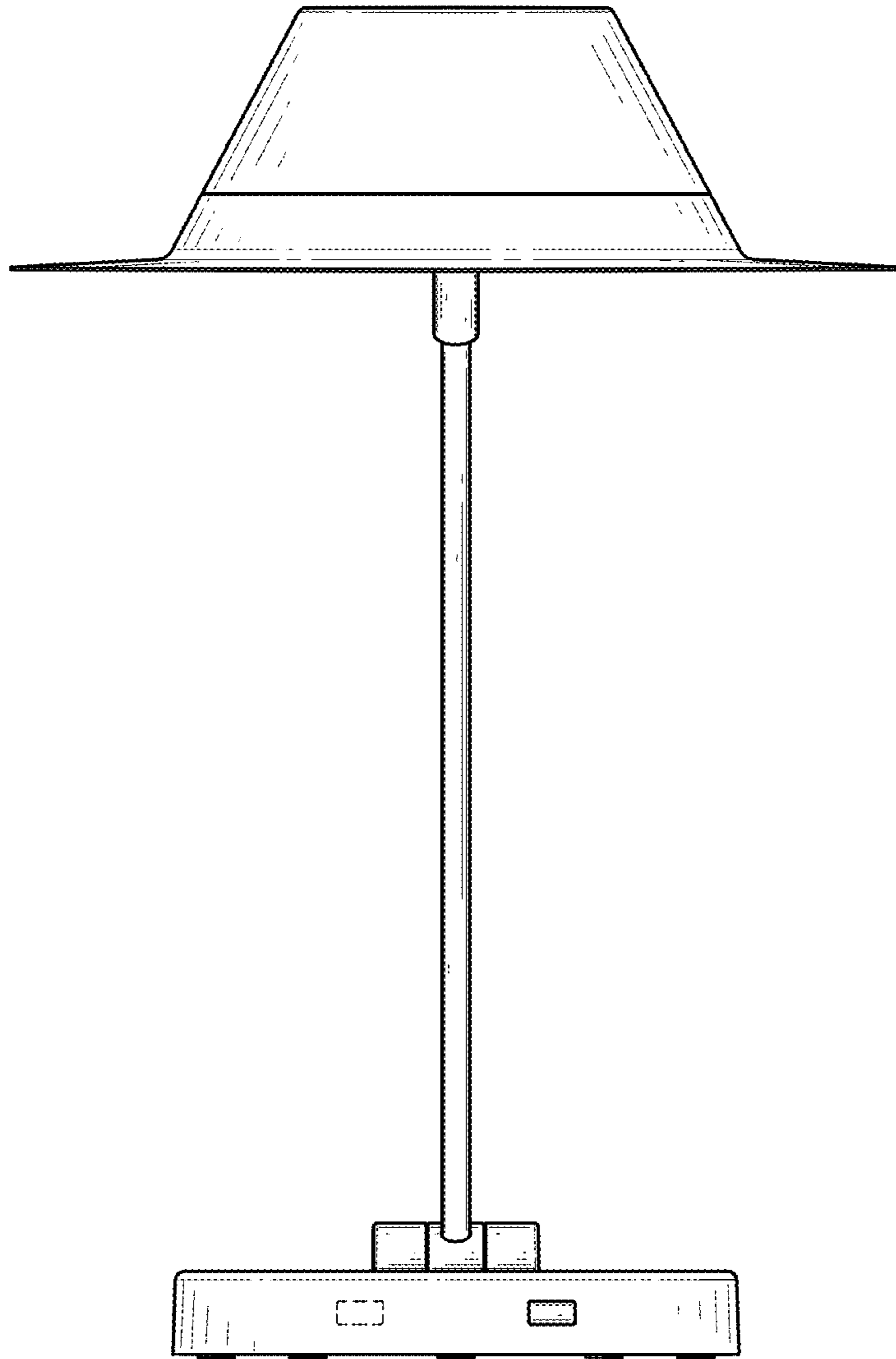


FIG. 2

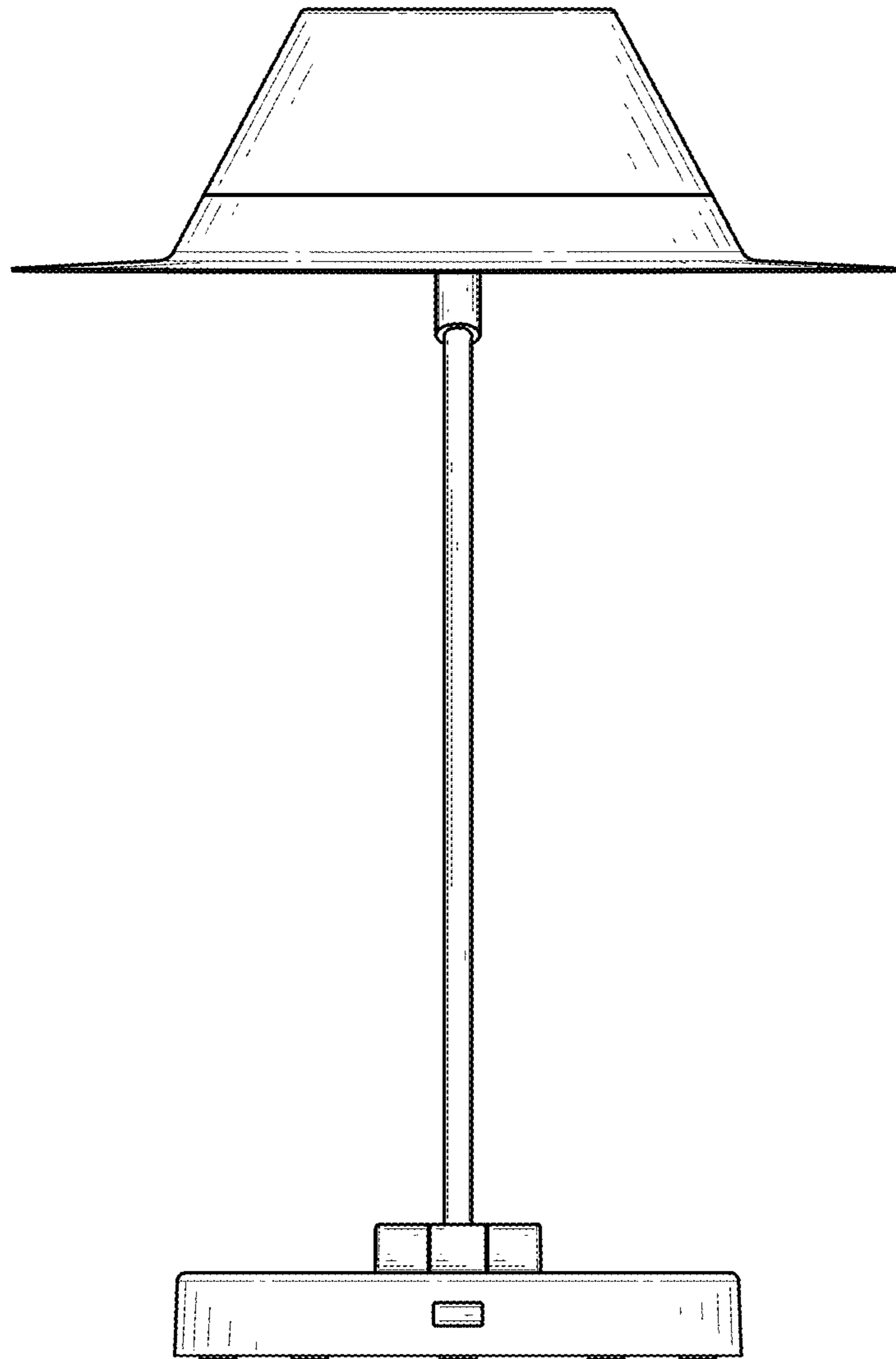


FIG. 3

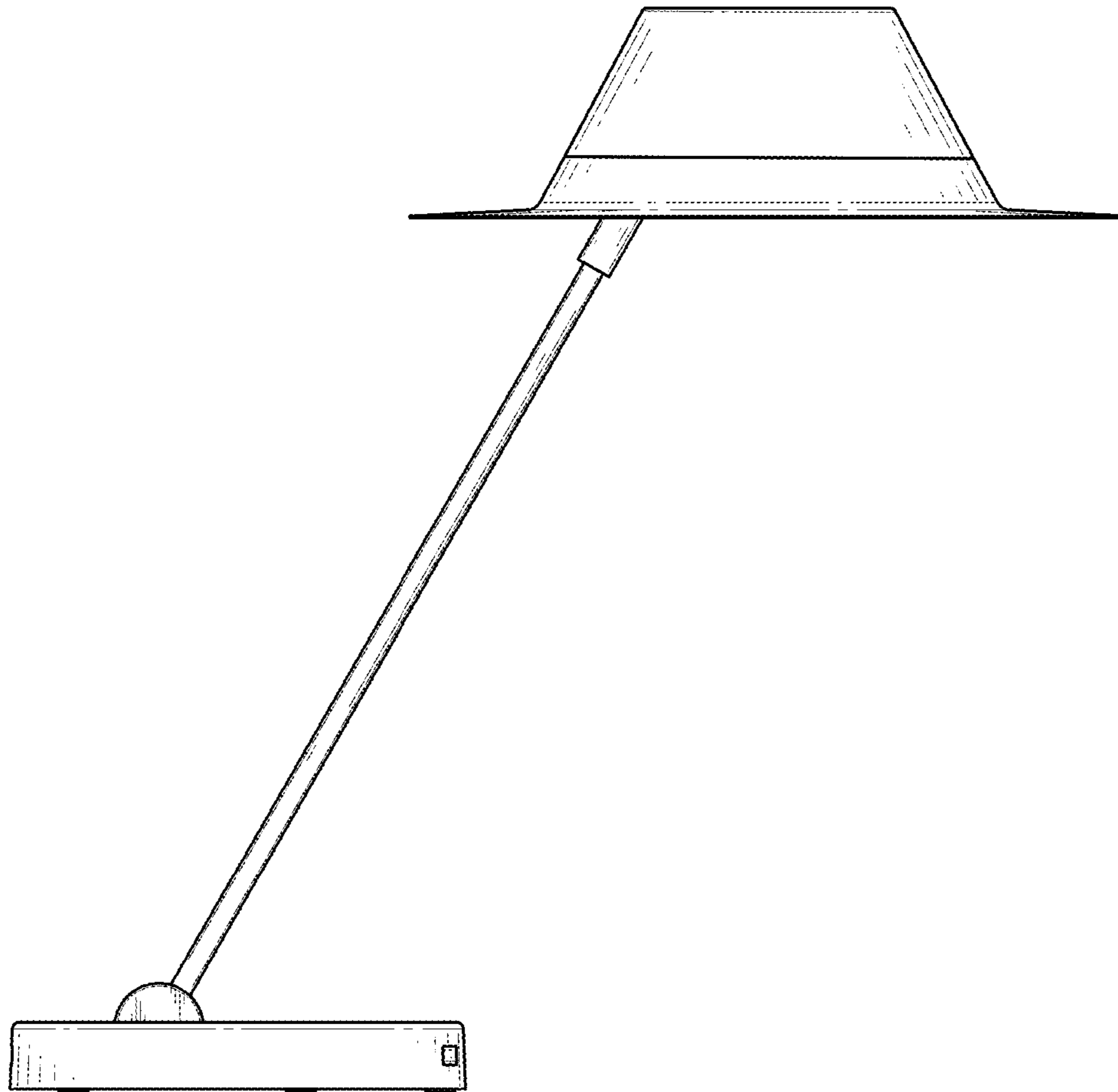


FIG. 4

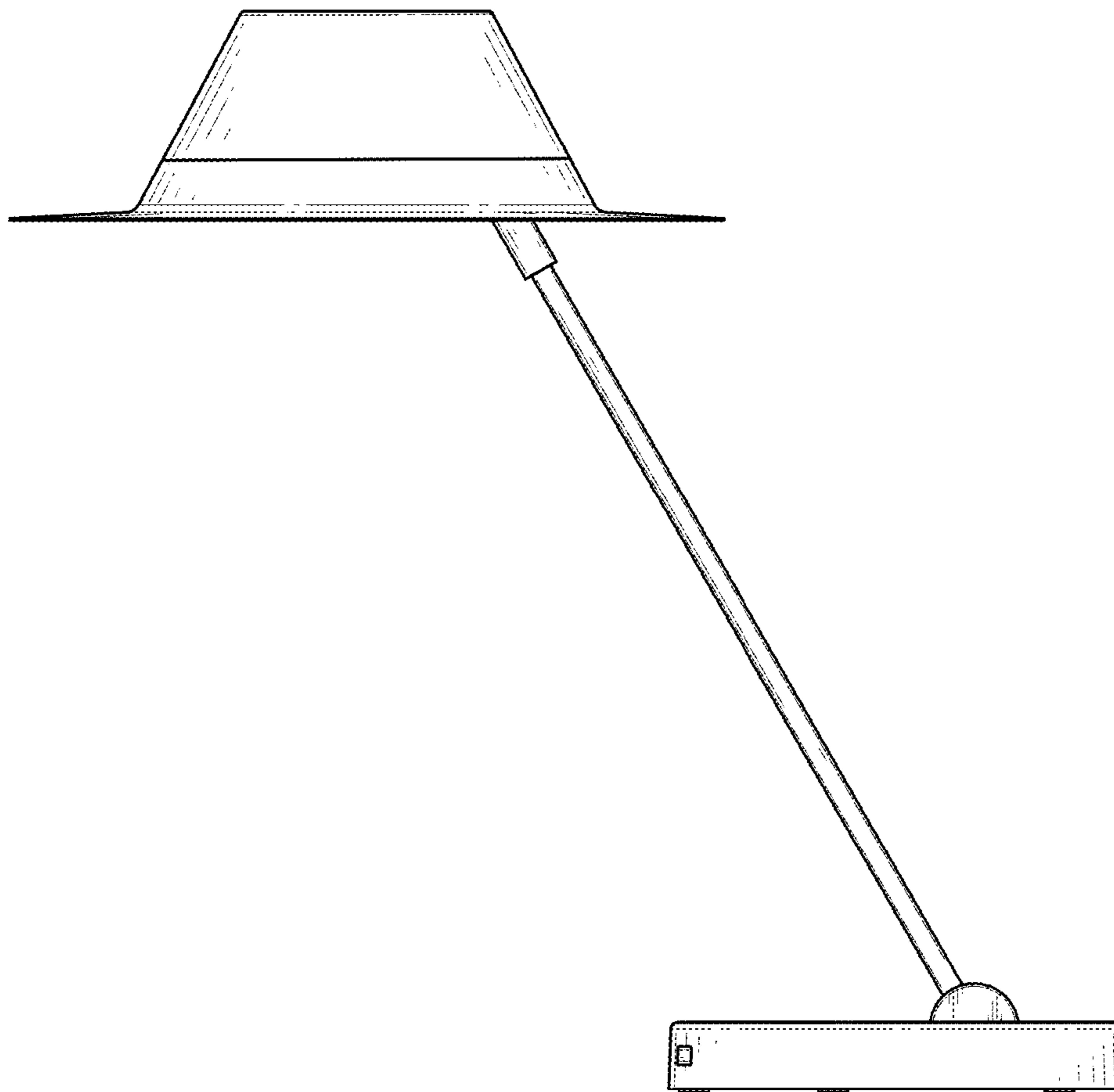


FIG. 5

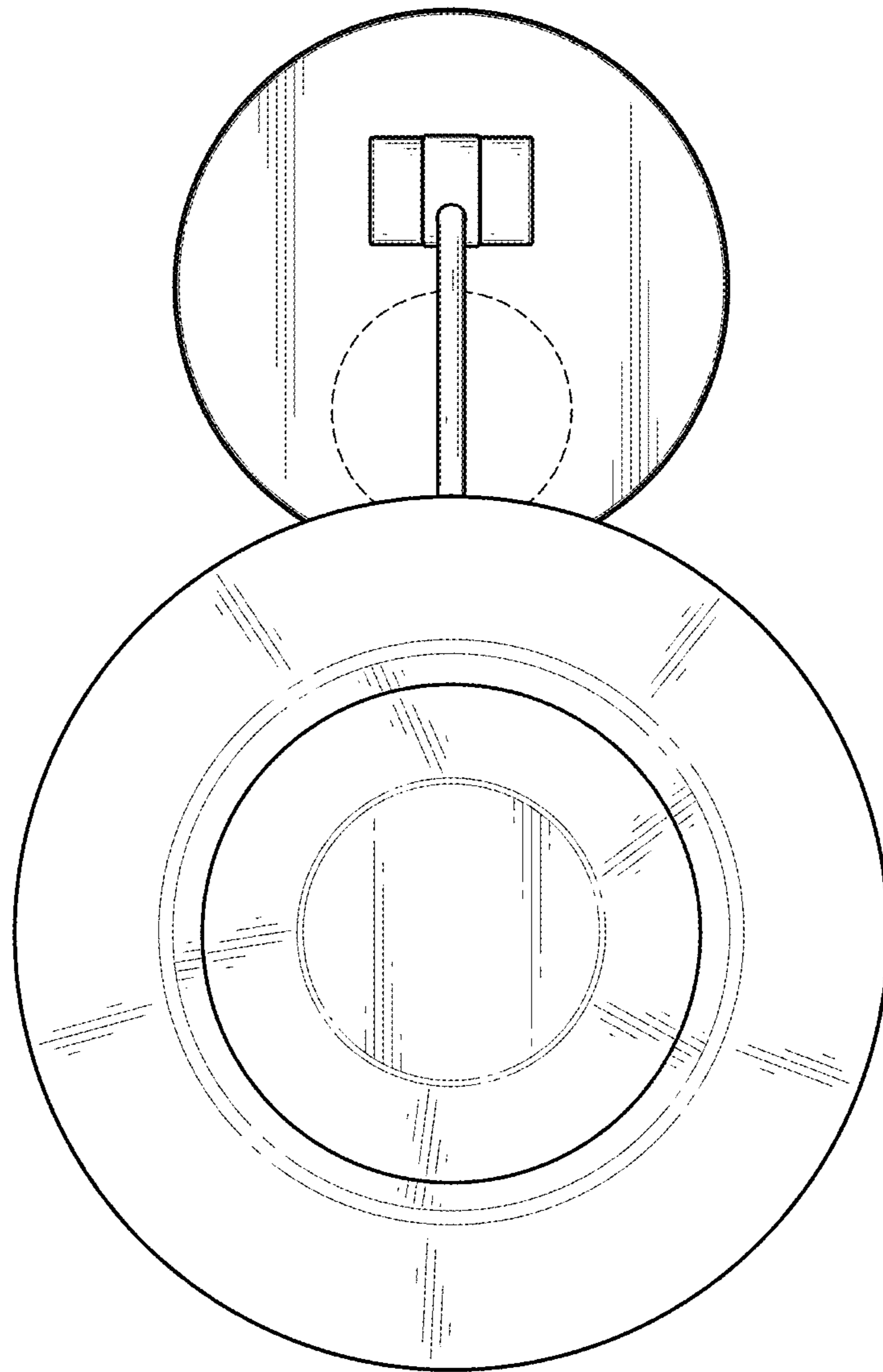


FIG. 6

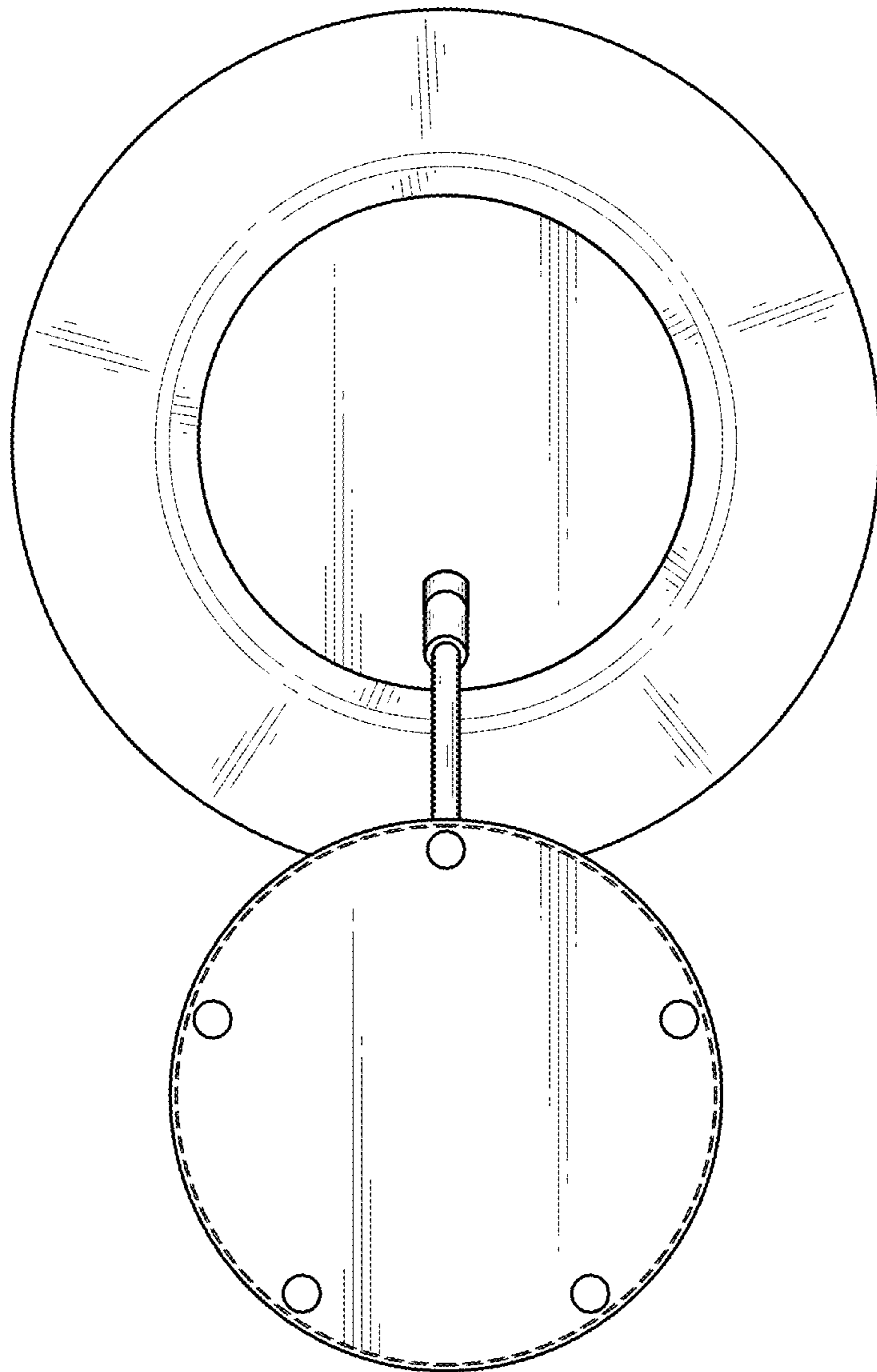


FIG. 7