



US00D776316S

(12) **United States Design Patent**
Kim

(10) **Patent No.:** **US D776,316 S**

(45) **Date of Patent:** **** Jan. 10, 2017**

(54) **DESK-MOUNTED MIRROR WITH LED LIGHT**

(71) Applicant: **Star Corporation**, Seoul (KR)

(72) Inventor: **Young Suk Kim**, Seoul (KR)

(73) Assignee: **STAR CORPORATION**, Seoul (KR)

(**) Term: **14 Years**

(21) Appl. No.: **29/522,436**

(22) Filed: **Mar. 31, 2015**

(51) **LOC (10) Cl.** **26-05**

(52) **U.S. Cl.**
USPC **D26/51**

(58) **Field of Classification Search**
USPC D26/37, 38, 40, 41, 46, 50, 51, 56;
362/157, 158, 183, 184, 194-196,
362/202-208; D6/308-312
CPC F21L 2003/00; F21L 4/00; F21L 4/005;
F21L 4/02; F21L 4/025; F21L
4/027; F21L 4/04; F21L 4/08; F21L
2005/00; F21L 7/00; F21L 11/00; F21L
13/00; F21L 13/04; F21L 13/08; F21L
14/02; F21L 17/00; F21L 19/00
See application file for complete search history.

(56) **References Cited**

U.S. PATENT DOCUMENTS

| | | | | |
|--------------|--------|---------|-------|--------|
| D208,233 S * | 8/1967 | Ely | | D6/308 |
| D234,222 S * | 1/1975 | Oakley | | D26/41 |
| D425,313 S * | 5/2000 | Zadro | | D6/309 |
| D437,492 S * | 2/2001 | Wai | | D6/309 |
| D468,466 S * | 1/2003 | Krieger | | D26/40 |

| | | | | |
|----------------|---------|-----------|-------|-----------------------|
| D485,630 S * | 1/2004 | Chue | | D26/38 |
| D509,369 S * | 9/2005 | Snell | | D6/310 |
| 7,048,406 B1 * | 5/2006 | Shih | | A45D 42/10 362/135 |
| D524,469 S * | 7/2006 | Pitot | | D26/37 |
| D549,968 S * | 9/2007 | Pitot | | D6/312 |
| D573,799 S * | 7/2008 | Pitot | | D6/308 |
| D657,576 S * | 4/2012 | Pitot | | D6/309 |
| D679,101 S * | 4/2013 | Pitot | | D6/309 |
| D707,454 S * | 6/2014 | Pitot | | D6/309 |
| D727,630 S * | 4/2015 | Zadro | | D6/310 |
| D729,527 S * | 5/2015 | Tsai | | D6/310 |
| D738,118 S * | 9/2015 | Gyanendra | | D6/300 |
| D740,474 S * | 10/2015 | Pineau | | D26/37 |

* cited by examiner

Primary Examiner — Ian Simmons

Assistant Examiner — Carissa C Fitts

(74) *Attorney, Agent, or Firm* — Lex IP Meister, PLLC

(57) **CLAIM**

The ornamental design for a desk-mounted mirror with LED light, as shown and described.

DESCRIPTION

FIG. 1 is a perspective view of a desk-mounted mirror with LED light showing my new design;
FIG. 2 is a front elevational view thereof;
FIG. 3 is a rear elevational view thereof;
FIG. 4 is a left side elevational view thereof;
FIG. 5 is a right side elevational view thereof;
FIG. 6 is a top plan view thereof; and,
FIG. 7 is a bottom plan view thereof.
The broken lines depict unclaimed subject matter only and form no part of the claimed design.

1 Claim, 7 Drawing Sheets

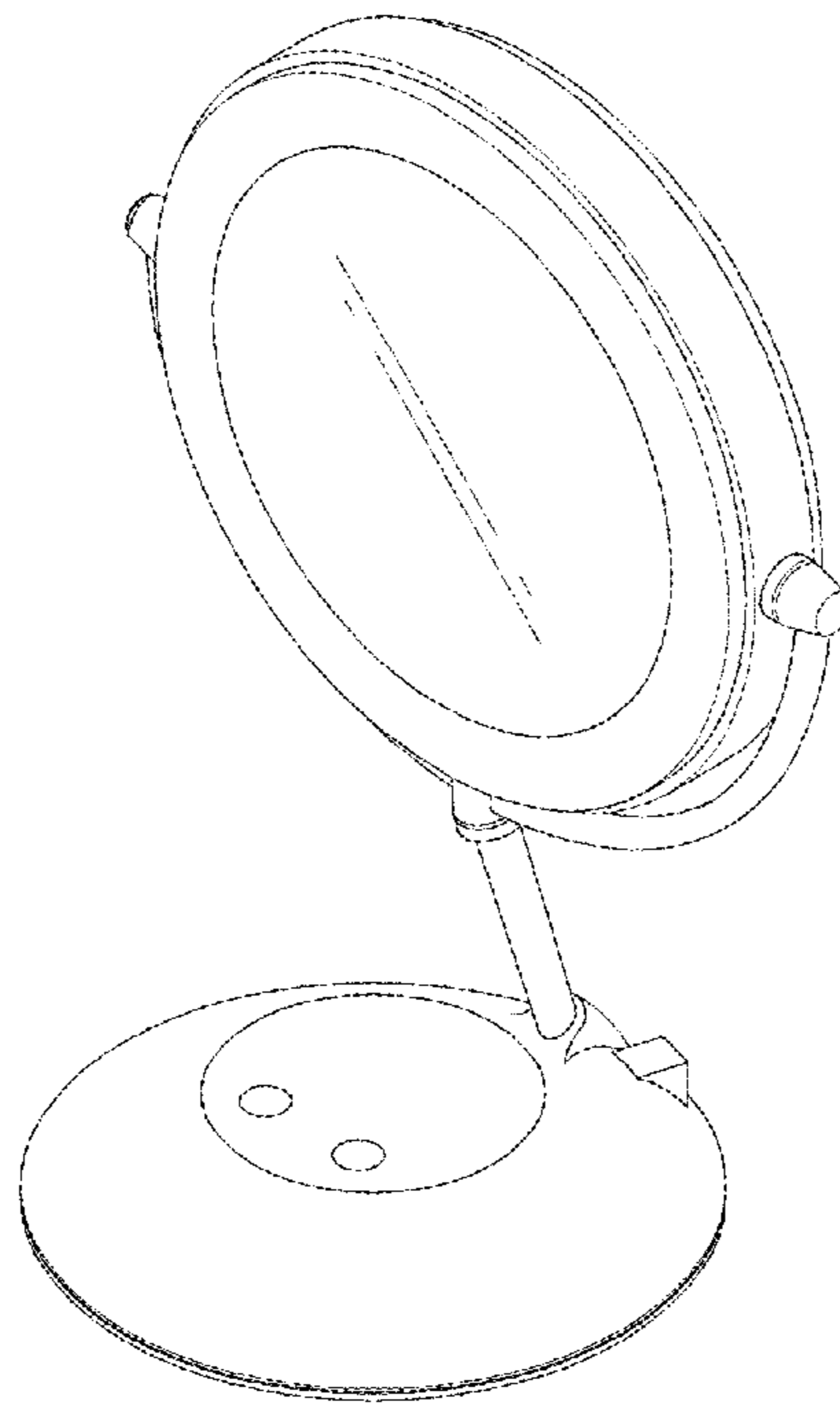


FIG. 1

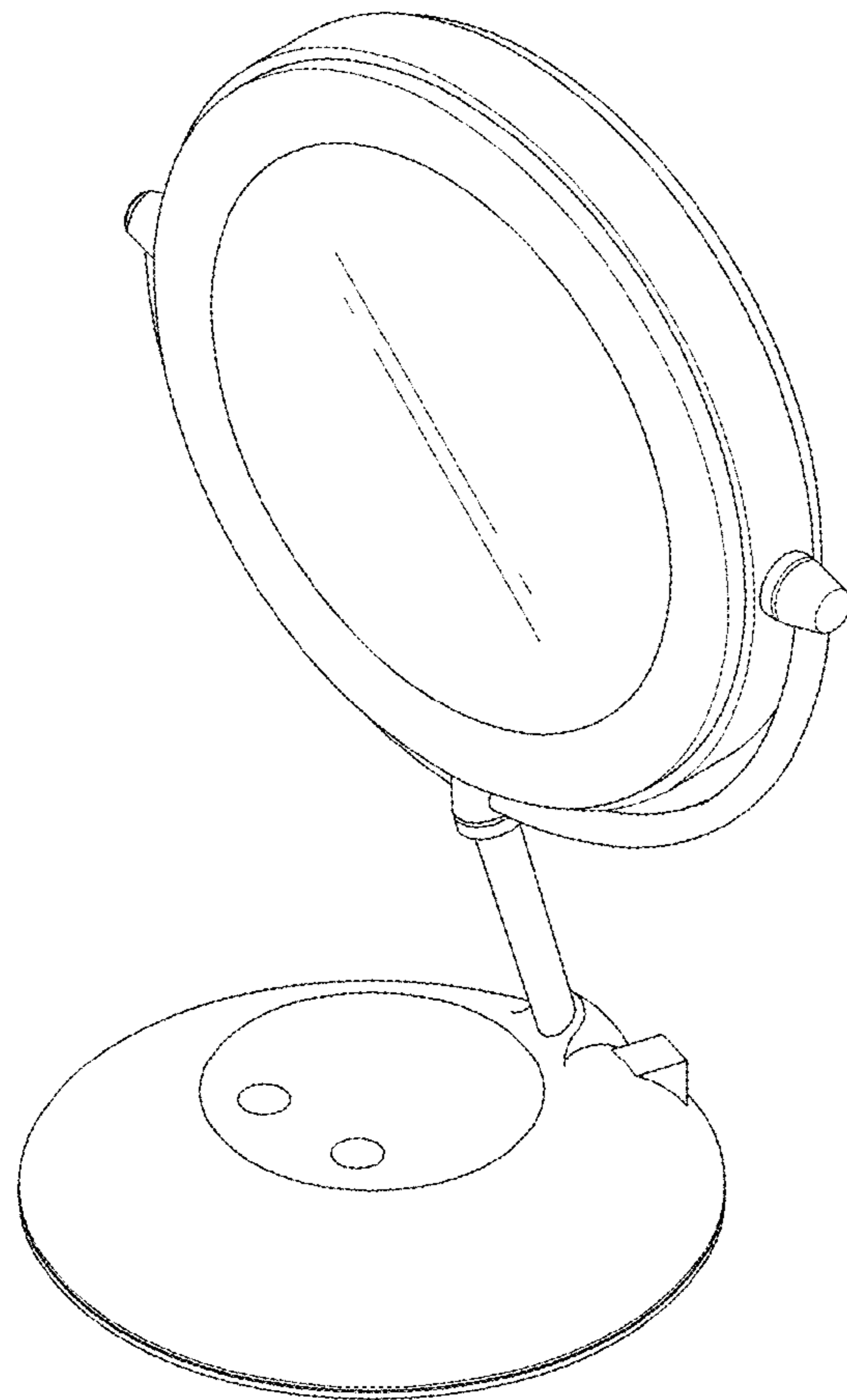


FIG. 2

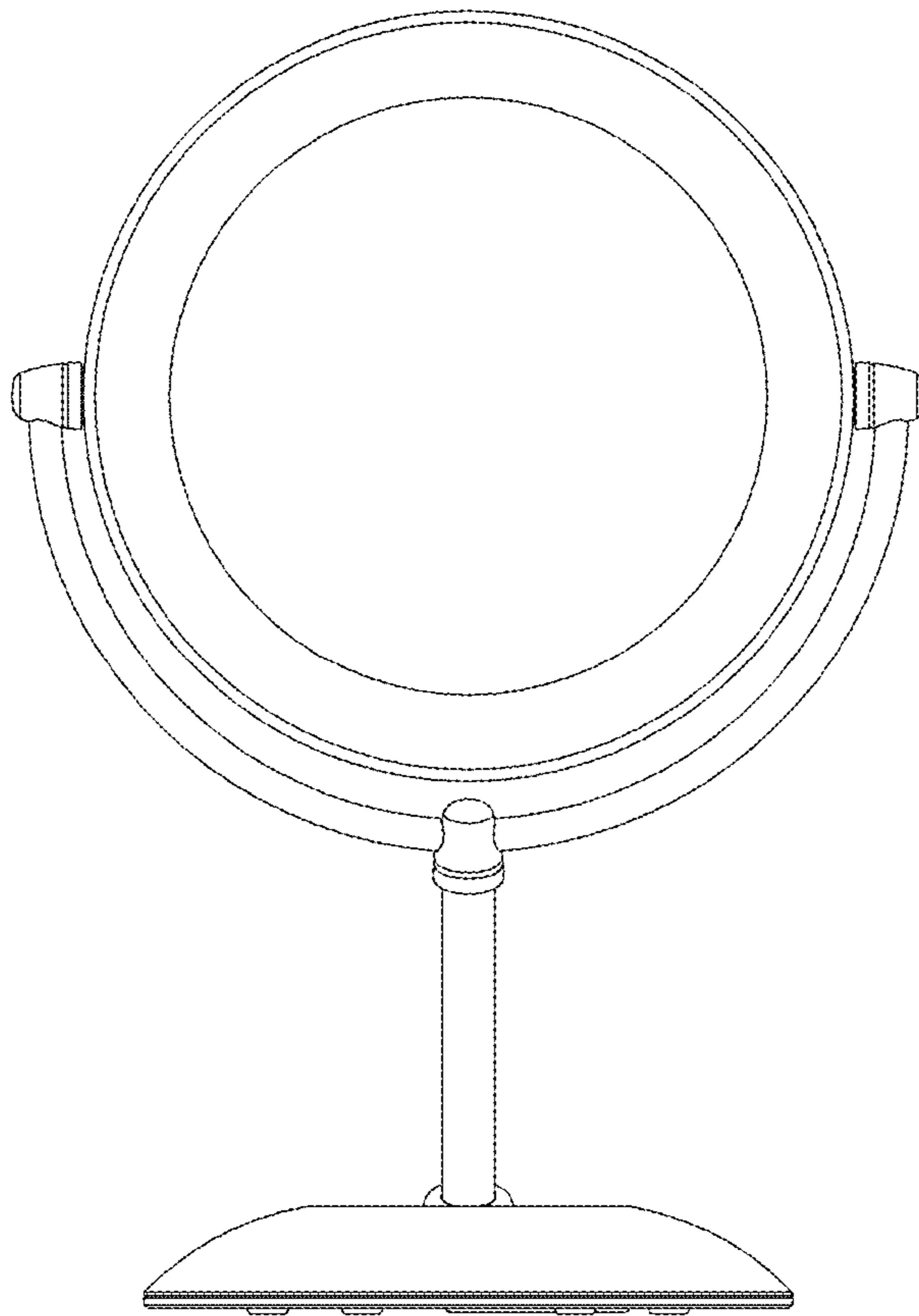


FIG. 3

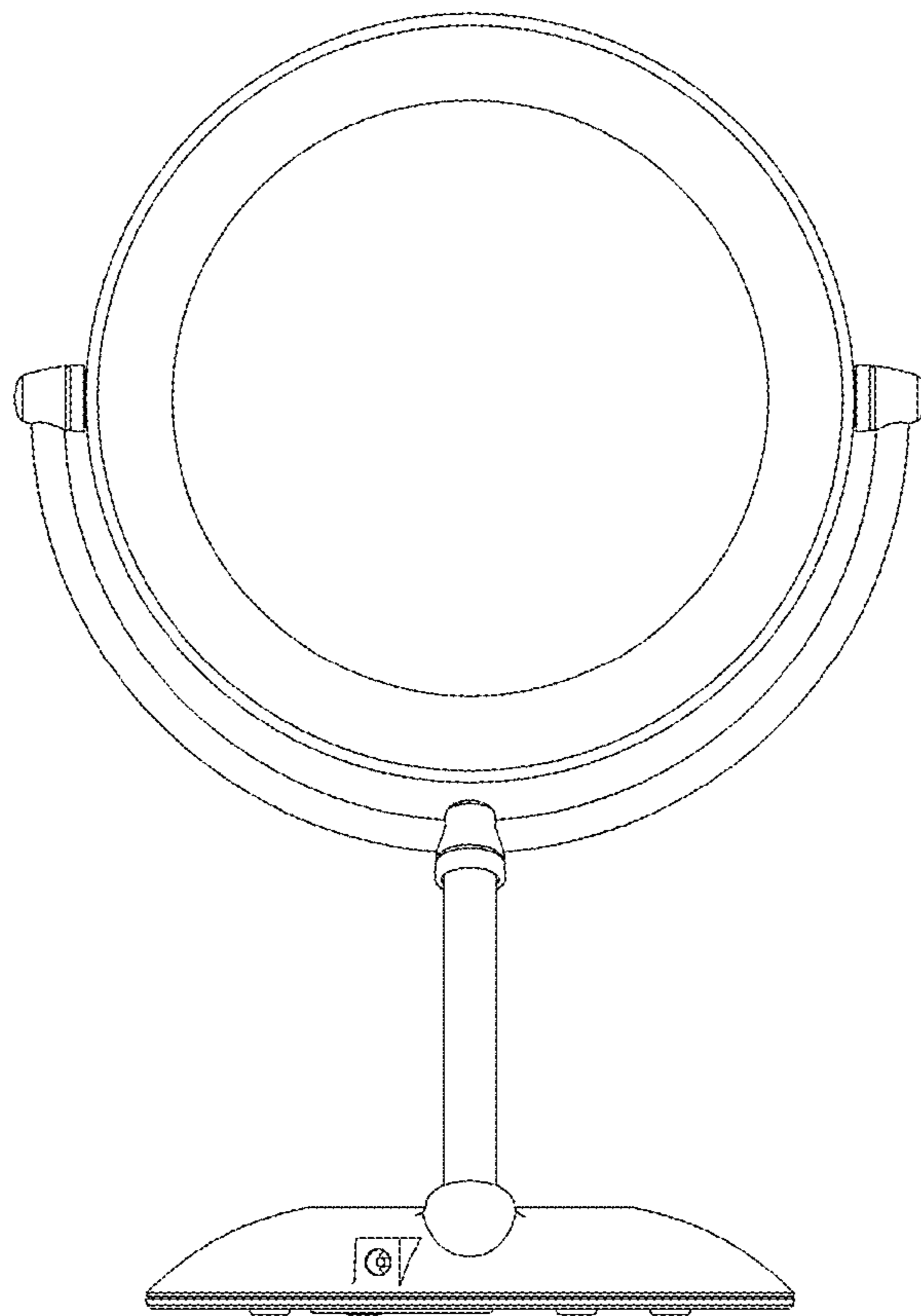


FIG. 4

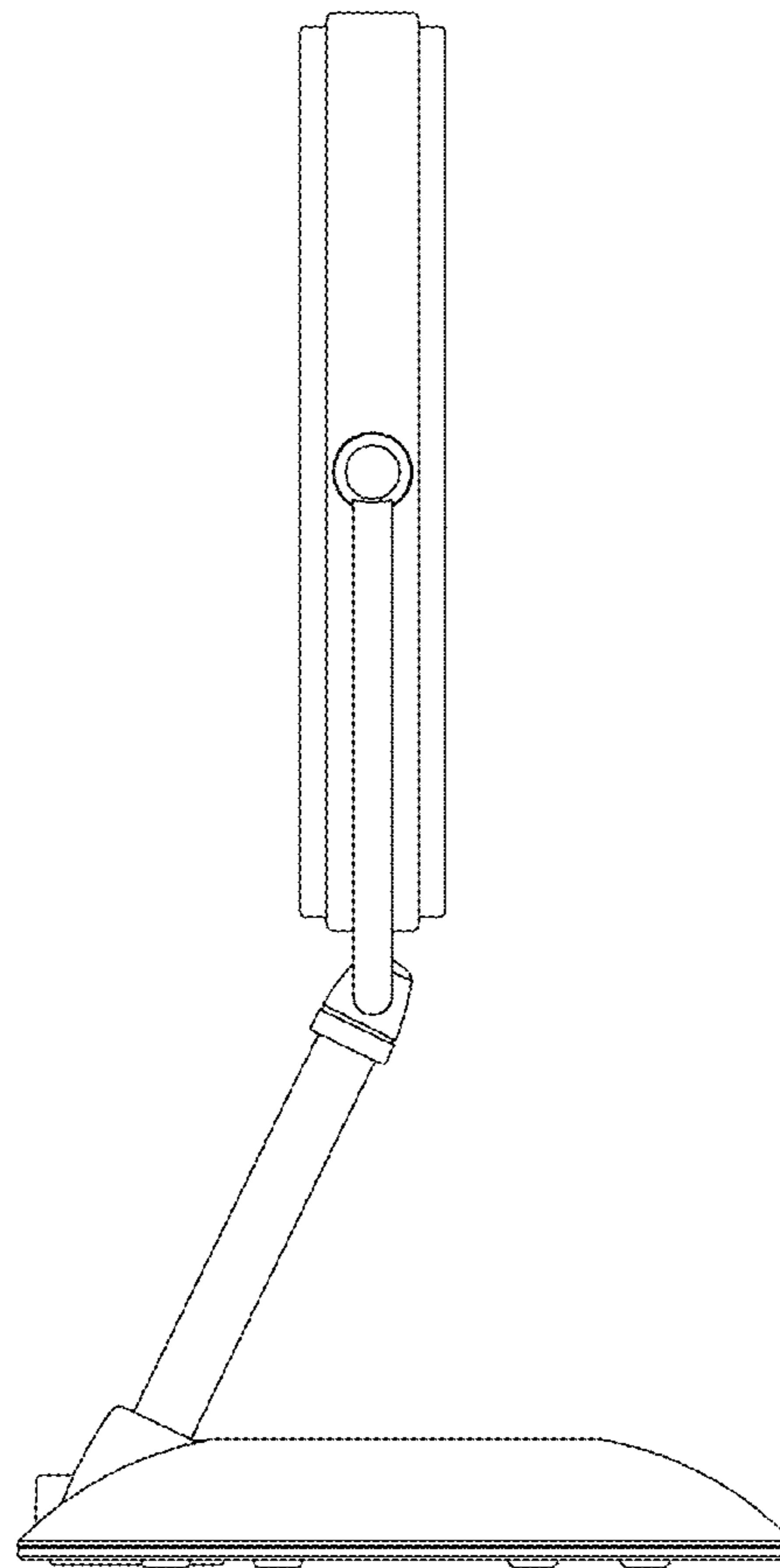


FIG. 5

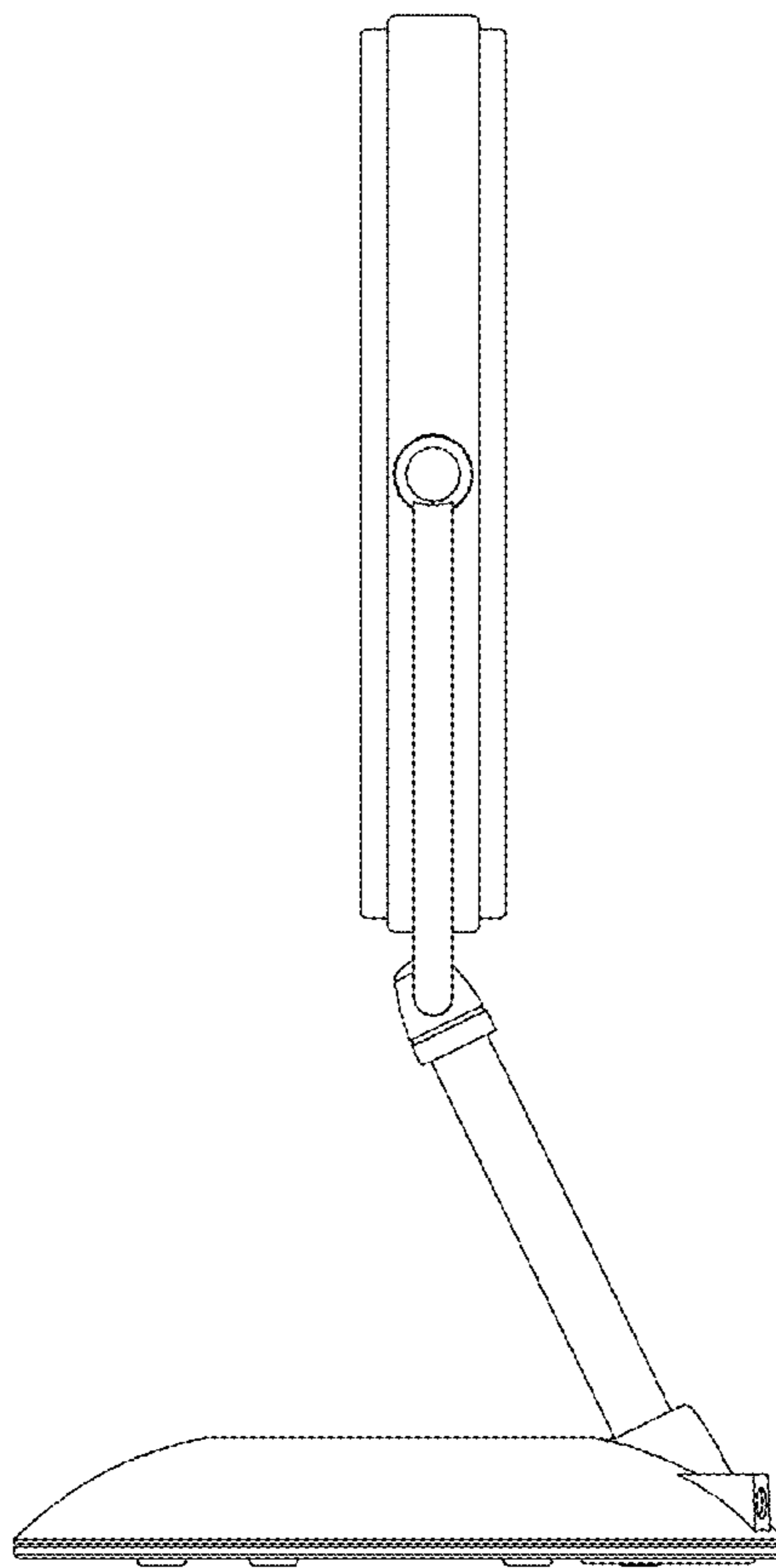


FIG. 6

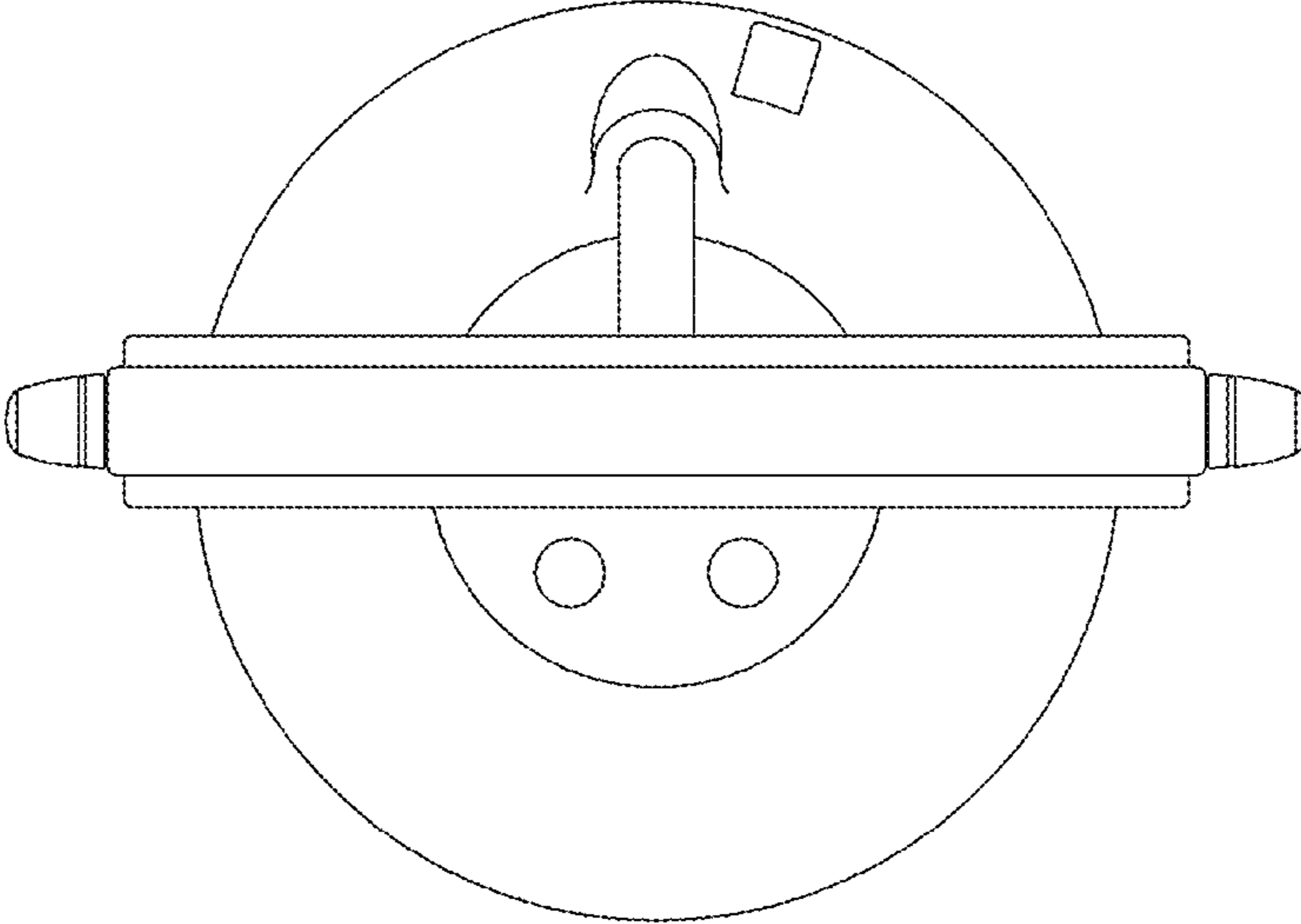


FIG. 7

