



US00D776314S

(12) **United States Design Patent** (10) **Patent No.:** **US D776,314 S**
Aho (45) **Date of Patent:** **** Jan. 10, 2017**

(54) **LIGHT BAR**
(71) Applicant: **Engo Industries, LLC**, Vancouver, WA (US)
(72) Inventor: **Drew V. Aho**, Vancouver, WA (US)
(73) Assignee: **Engo Industries, LLC**, Vancouver, WA (US)
(**) Term: **15 Years**
(21) Appl. No.: **29/535,678**
(22) Filed: **Aug. 10, 2015**
(51) **LOC (10) Cl.** **26-06**
(52) **U.S. Cl.**
USPC **D26/31; D10/114.4**
(58) **Field of Classification Search**
USPC D10/114.4, 115; D12/317, 345, 106, 114;
D22/139, 199; D26/1, 2, 3, 25, 28, 35,
D26/64, 69, 72, 76
CPC F21V 23/04; F21K 99/00; B60Q 3/02;
B60Q 1/52
See application file for complete search history.

8,979,303 B2 3/2015 Adams
D729,677 S * 5/2015 Aho D10/114.4
D747,018 S * 1/2016 Hansen D26/28
D750,820 S * 3/2016 Packard D26/31
D751,442 S * 3/2016 Lv D10/114.4
D752,465 S * 3/2016 Sievers D10/114.4
D759,272 S * 6/2016 Fan D26/28
2008/0080203 A1* 4/2008 Neufeglise B60Q 1/52
362/540
2009/0161377 A1 6/2009 Helms et al.
2010/0085181 A1 4/2010 Brooking et al.
2010/0194556 A1 8/2010 LaRosa
2013/0278139 A1 10/2013 Sievers et al.
2013/0313972 A1 11/2013 Hulett
2015/0224923 A1* 8/2015 Neufeglise B60Q 1/268
362/546
2016/0076748 A1* 3/2016 Sievers F21S 4/28
362/231

* cited by examiner

Primary Examiner — Manpreet Matharu
Assistant Examiner — Suzanne Tisdell
(74) *Attorney, Agent, or Firm* — Luedeka Neely Group, P.C.

(57) **CLAIM**

The ornamental design for a light bar, as shown and described.

DESCRIPTION

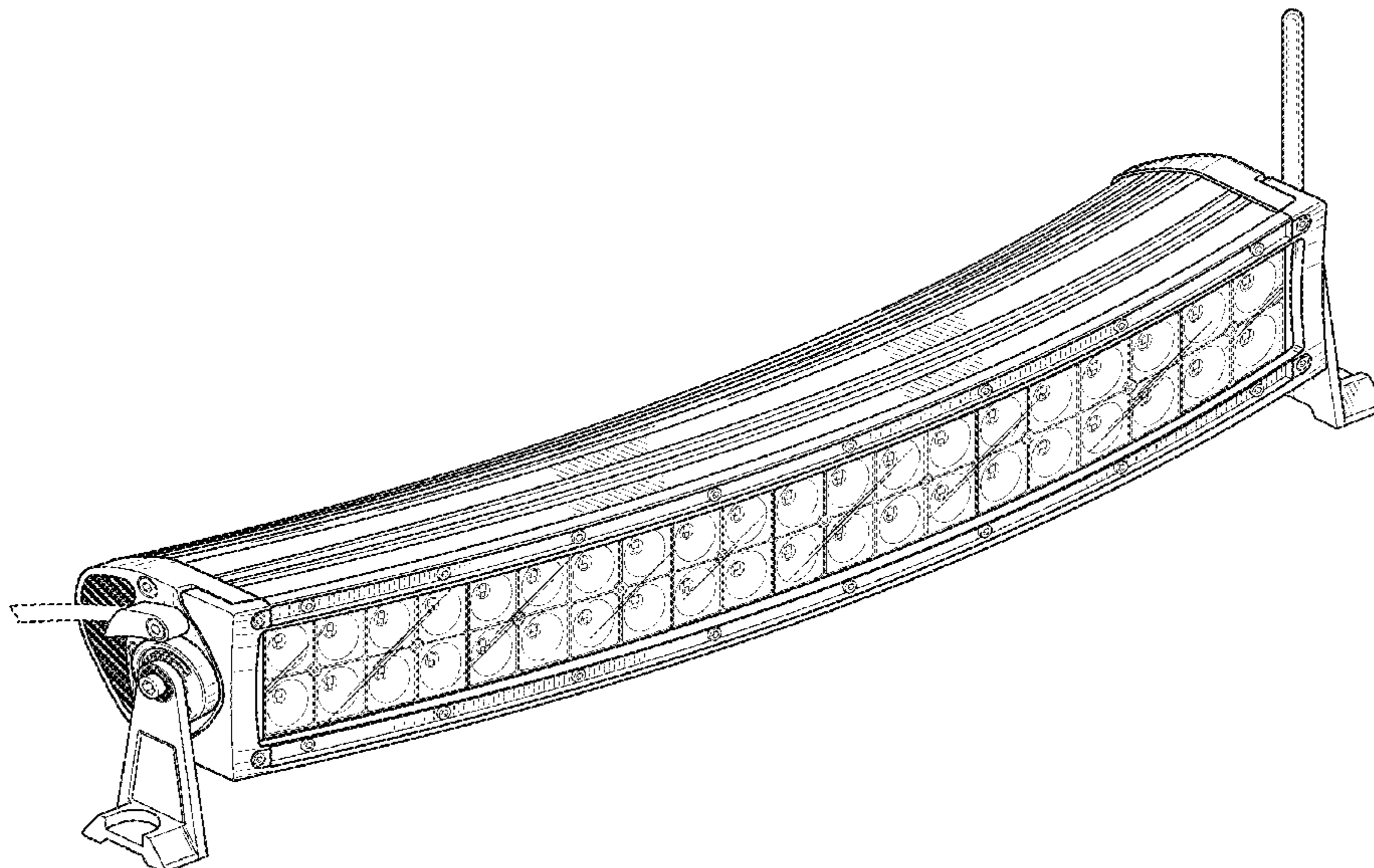
FIG. 1 is a front top perspective view of a light bar of my new design;
FIG. 2 is a rear bottom perspective view thereof;
FIG. 3 is a left side elevation view thereof;
FIG. 4 is a right side elevation view thereof;
FIG. 5 is a front elevation view thereof;
FIG. 6 is a rear elevation view thereof;
FIG. 7 is a top plan view thereof; and,
FIG. 8 is a bottom plan view thereof.

1 Claim, 5 Drawing Sheets

(56) **References Cited**

U.S. PATENT DOCUMENTS

6,986,593 B2 1/2006 Rhoads et al.
D578,683 S * 10/2008 Huang D26/28
D594,387 S * 6/2009 Seidenberg D12/106
D653,783 S 2/2012 Biro et al.
D656,258 S 3/2012 Georgitsis et al.
8,277,077 B2 10/2012 Georgitsis et al.
D676,990 S 2/2013 Adams
D683,892 S 6/2013 Chu
D695,943 S * 12/2013 Duquette D26/76
D704,372 S * 5/2014 Speier D26/122
D713,574 S 9/2014 Adams
D713,981 S 9/2014 Law et al.
D717,479 S 11/2014 Sievers et al.



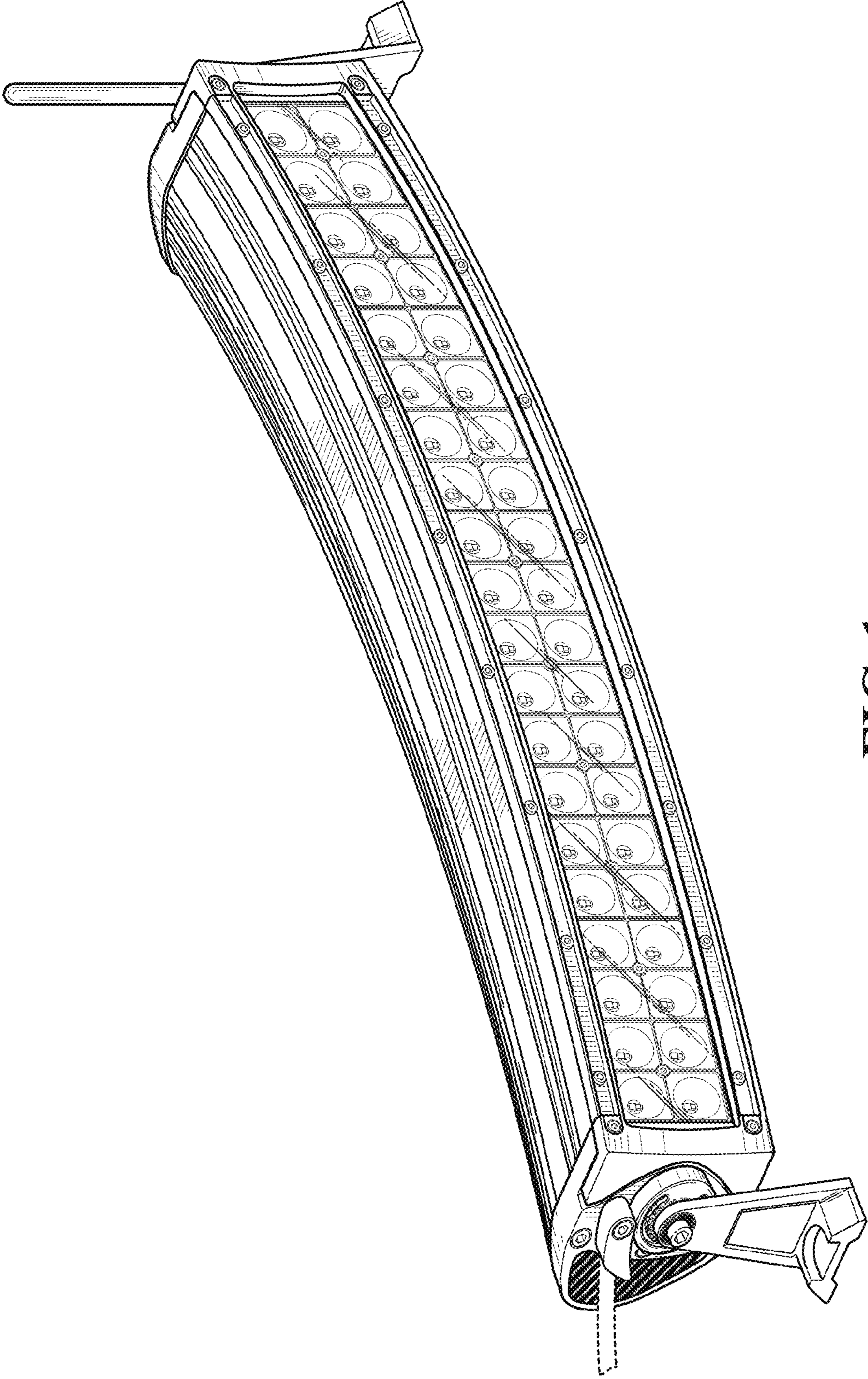


FIG. 1

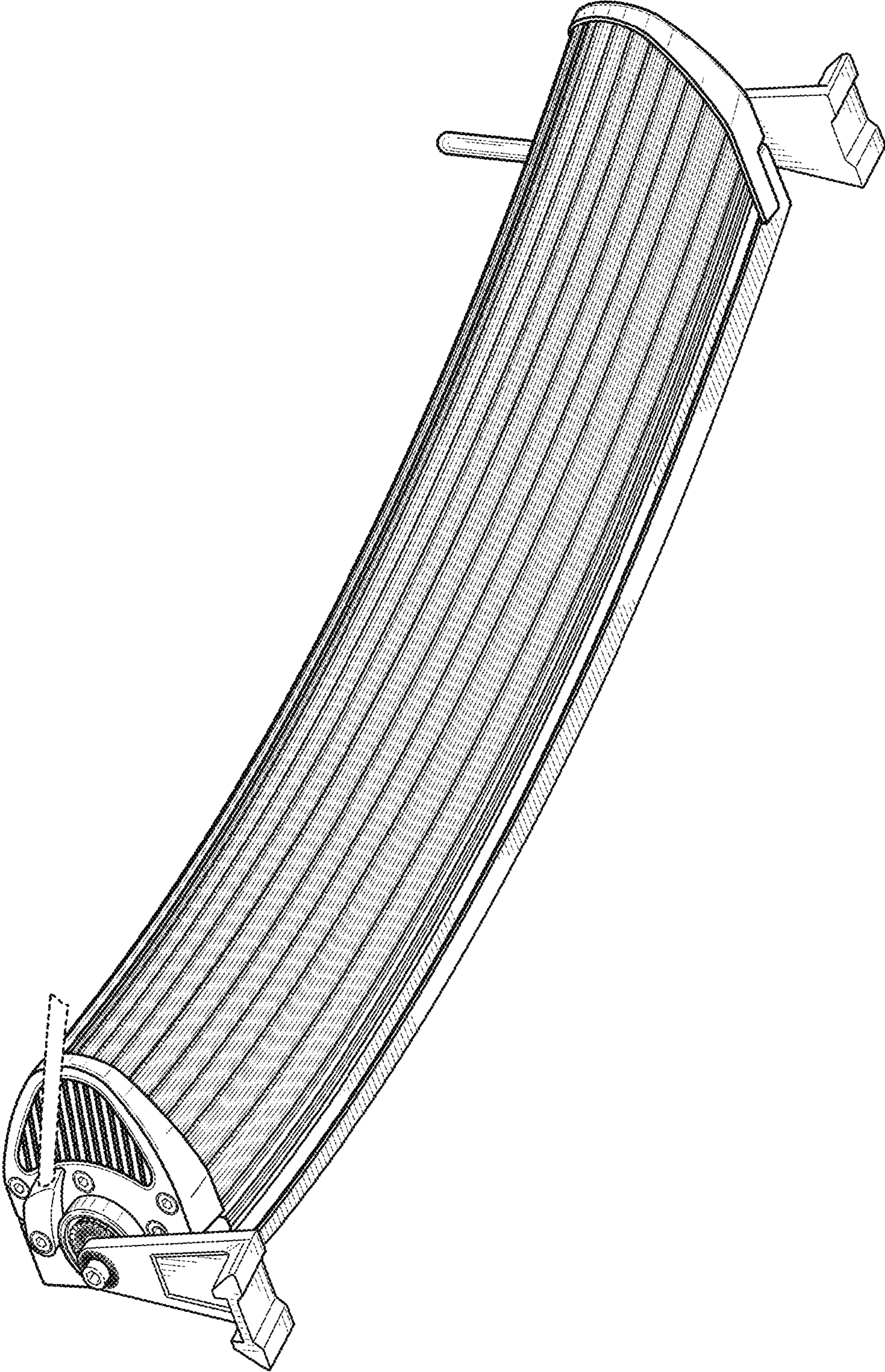


FIG. 2

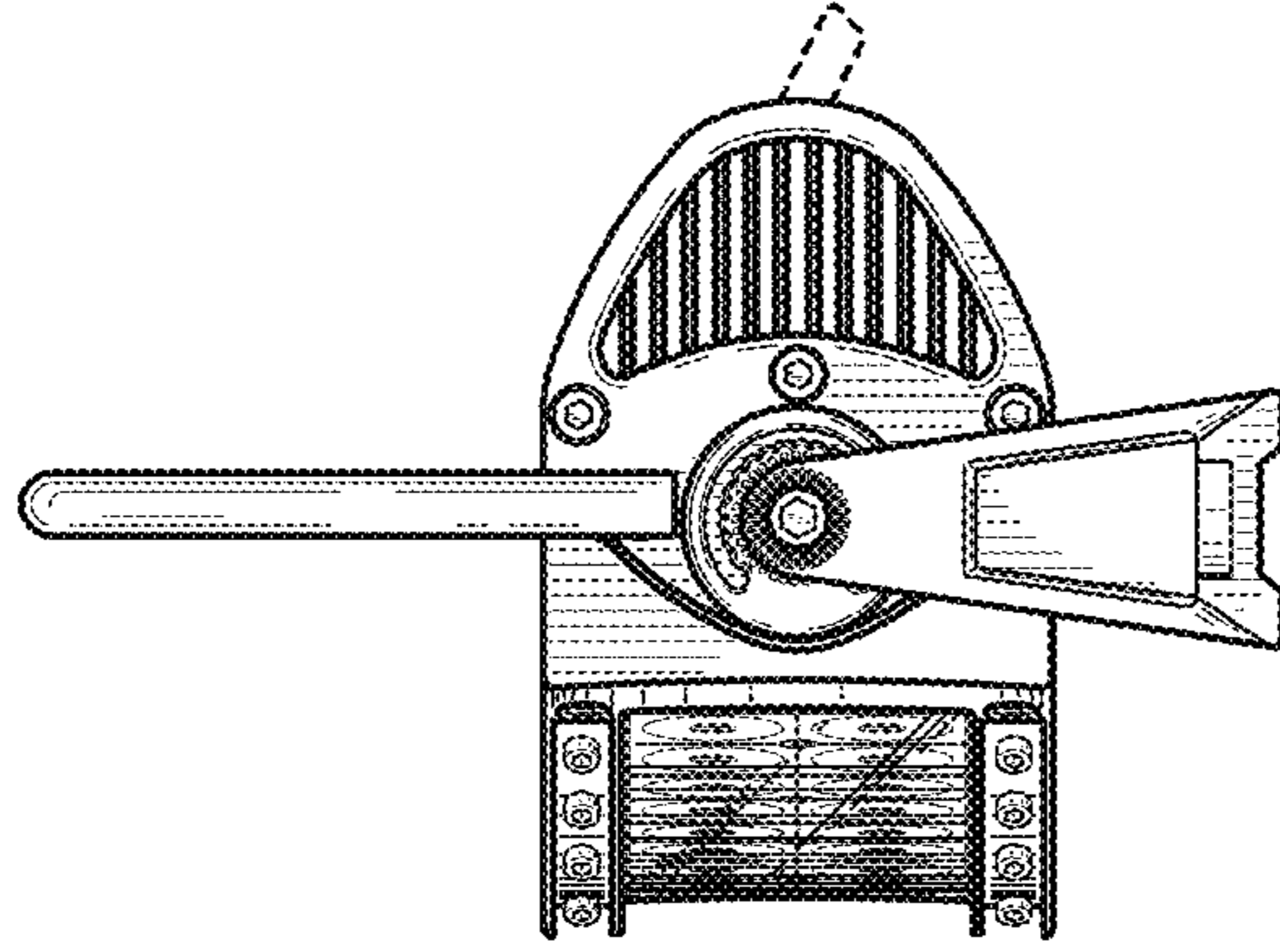


FIG. 4

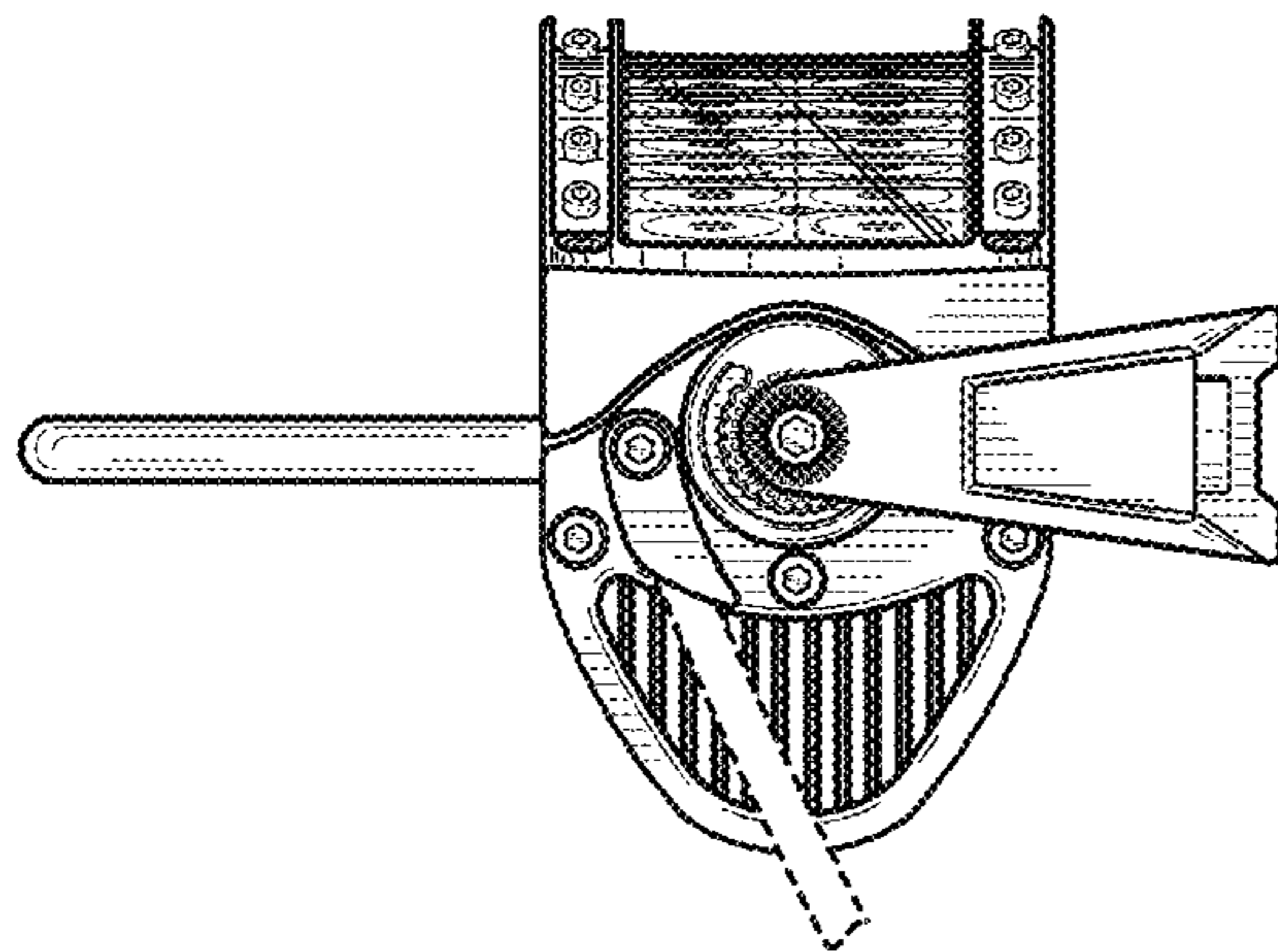


FIG. 3

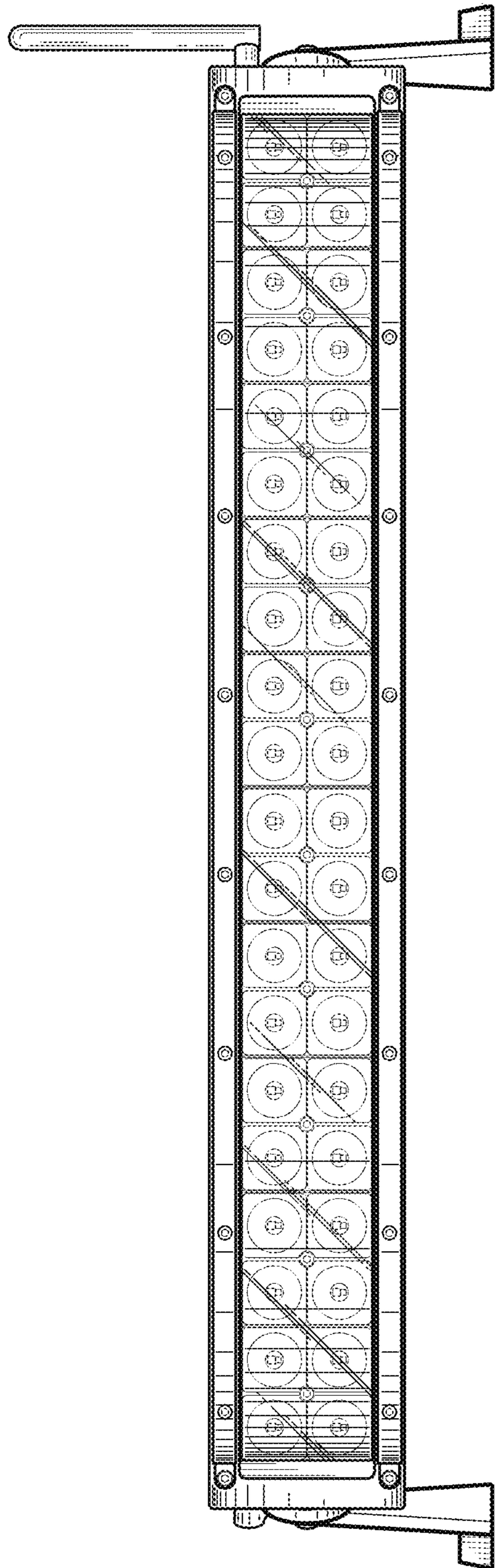


FIG. 5

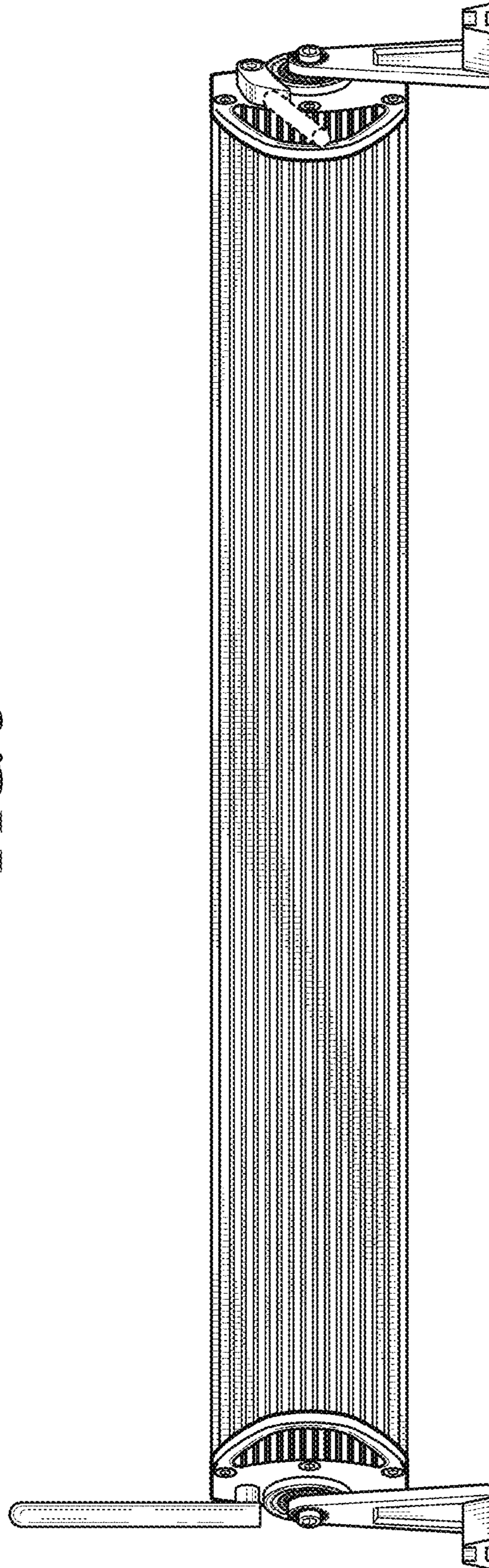


FIG. 6

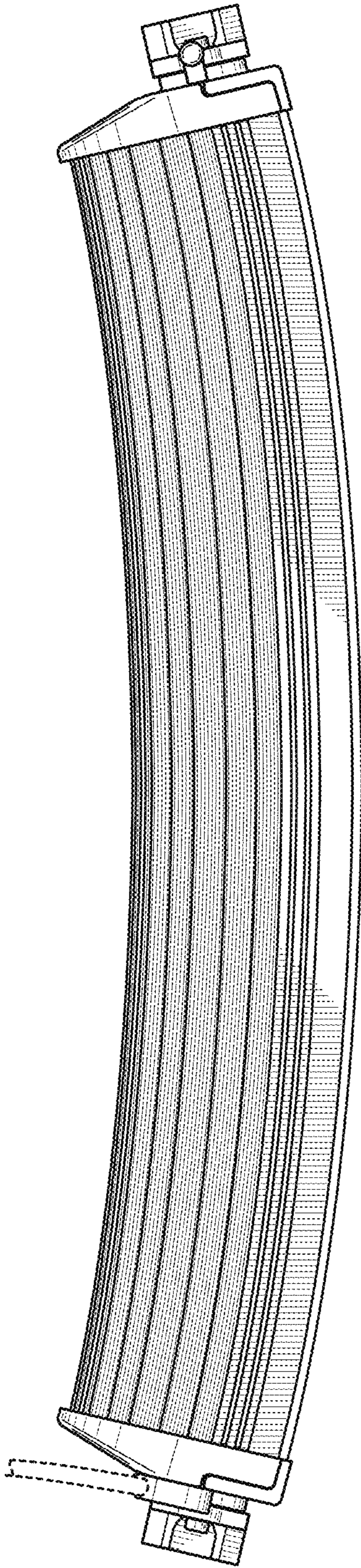


FIG. 7

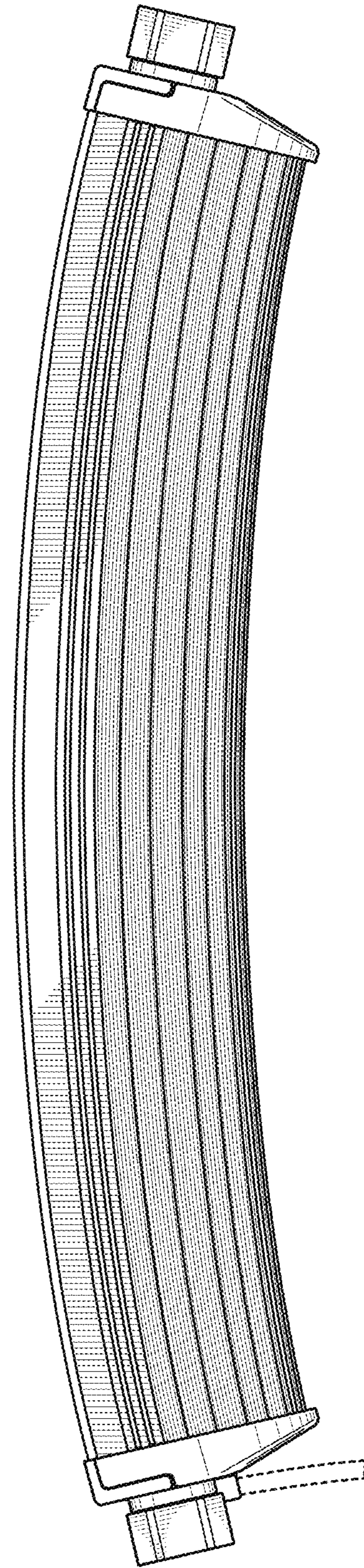


FIG. 8