



US00D776310S

(12) **United States Design Patent**
Mackay

(10) **Patent No.:** **US D776,310 S**
(45) **Date of Patent:** **** Jan. 10, 2017**

- (54) **VEHICLE HEAD LAMP**
- (71) Applicant: **GM Global Technology Operations LLC, Detroit, MI (US)**
- (72) Inventor: **Brendon C. Mackay, Shelby Township, MI (US)**
- (73) Assignee: **GM Global Technology Operations LLC, Detroit, MI (US)**
- (**) Term: **15 Years**
- (21) Appl. No.: **29/546,952**
- (22) Filed: **Nov. 30, 2015**

7,758,218 B2	7/2010	Mochizuki et al.
8,287,166 B2	10/2012	Tanaka et al.
D674,936 S	1/2013	Lai
D681,521 S	5/2013	Yamamoto et al.
D683,286 S	5/2013	Fuchigami et al.
D683,287 S	5/2013	Yoshida et al.
D685,503 S	7/2013	Gardner
D685,700 S	7/2013	Tase et al.
D687,357 S	8/2013	Weil
D694,443 S	11/2013	Mackay
D694,682 S	12/2013	Johnson
D695,169 S	12/2013	Endo
D699,642 S	2/2014	Kubota et al.
D699,643 S	2/2014	Chae
D701,807 S	4/2014	Futschik et al.
D702,164 S	4/2014	Campbell et al.
D714,979 S	10/2014	Lai
D717,982 S	11/2014	Lai
D718,479 S	11/2014	Lai
D747,515 S *	1/2016	McMahan D26/28

Related U.S. Application Data

- (63) Continuation-in-part of application No. 29/472,401, filed on Nov. 12, 2013, now abandoned, which is a continuation-in-part of application No. 29/451,018, filed on Mar. 27, 2013, now Pat. No. Des. 694,443.
- (51) **LOC (10) Cl.** **26-06**
- (52) **U.S. Cl.**
USPC **D26/28**
- (58) **Field of Classification Search**
USPC D26/28-36; 362/459-468, 475-478, 362/485-487
CPC B62J 6/02; B62J 6/00; B60Q 1/04; B60Q 1/0408; B60Q 1/28; F21S 48/00; F21S 48/10; F21S 48/1388
See application file for complete search history.

* cited by examiner

Primary Examiner — Wan Laymon
(74) *Attorney, Agent, or Firm* — Parks IP Law LLC; Mickki D. Murray, Esq.

(57) **CLAIM**

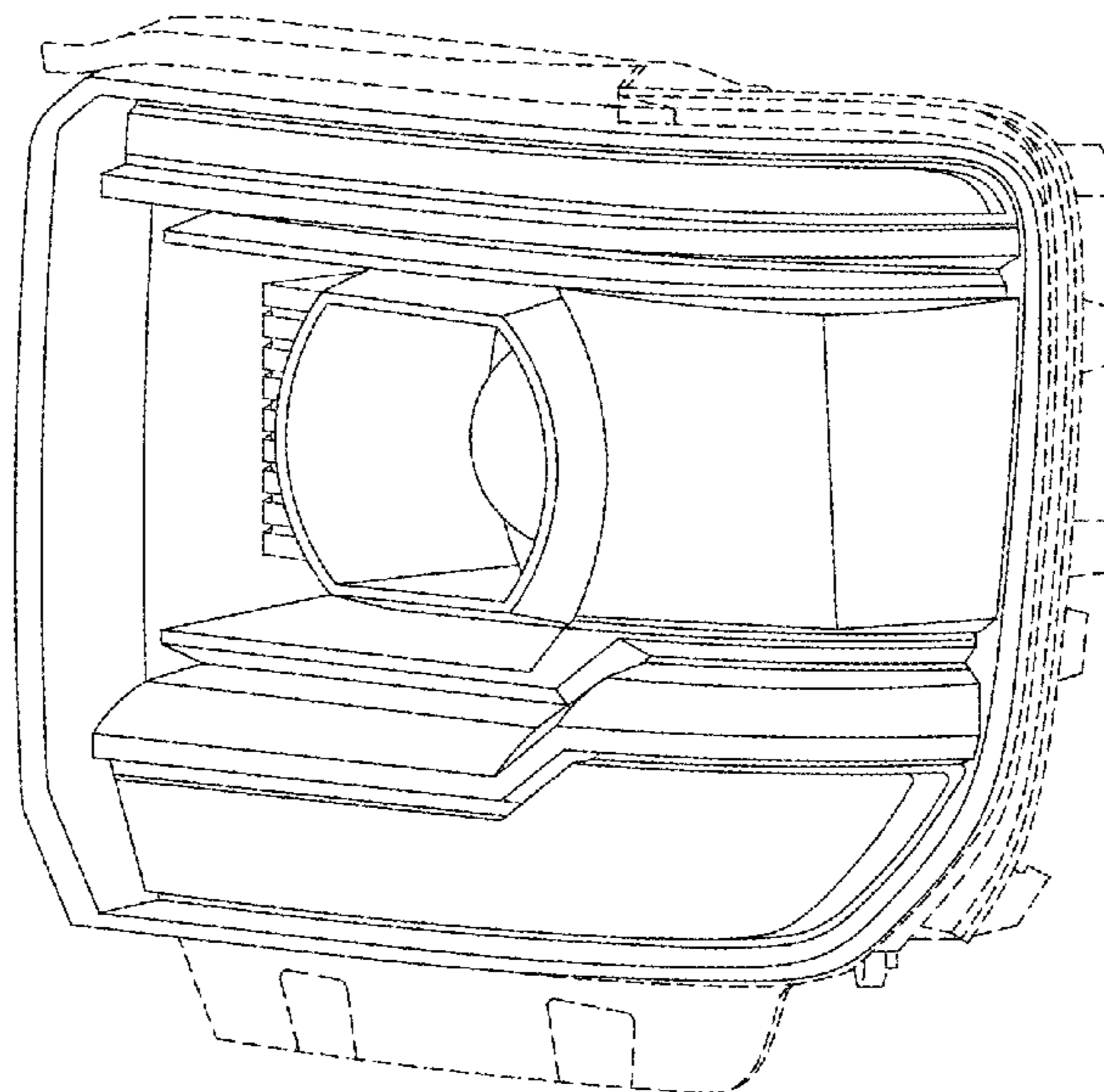
The ornamental design for a vehicle head lamp, as shown and described.

DESCRIPTION

FIG. 1 is perspective view of a vehicle head lamp showing the new design;
FIG. 2 is a side view, thereof; and,
FIG. 3 is a front view, thereof.
The broken lines shown in the figures represent portions of the vehicle head lamp that form no part of the claimed design.

- (56) **References Cited**
U.S. PATENT DOCUMENTS
D538,954 S 3/2007 Pfeiffer
D552,768 S 10/2007 Leclercq

1 Claim, 2 Drawing Sheets



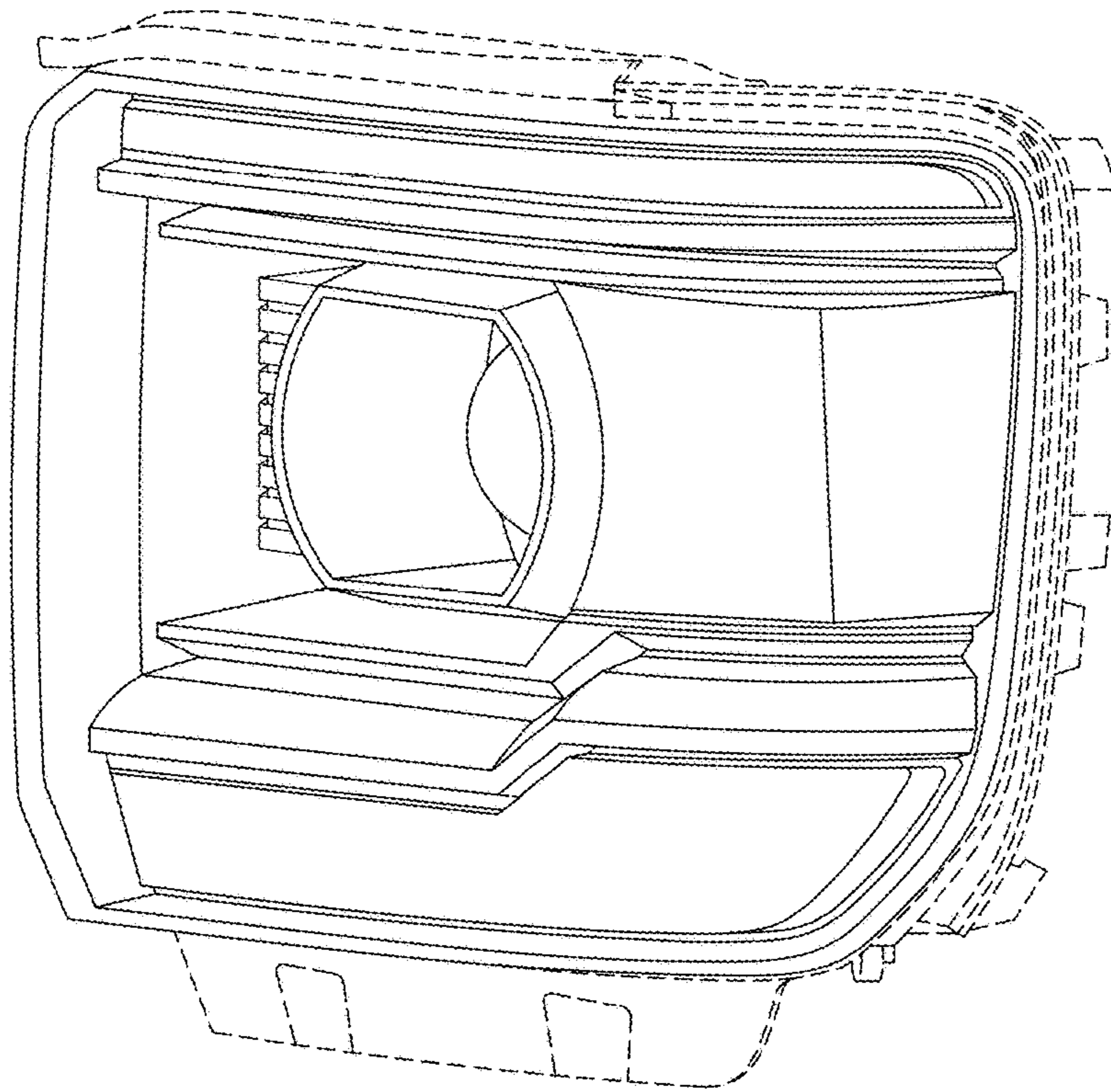


Fig-1

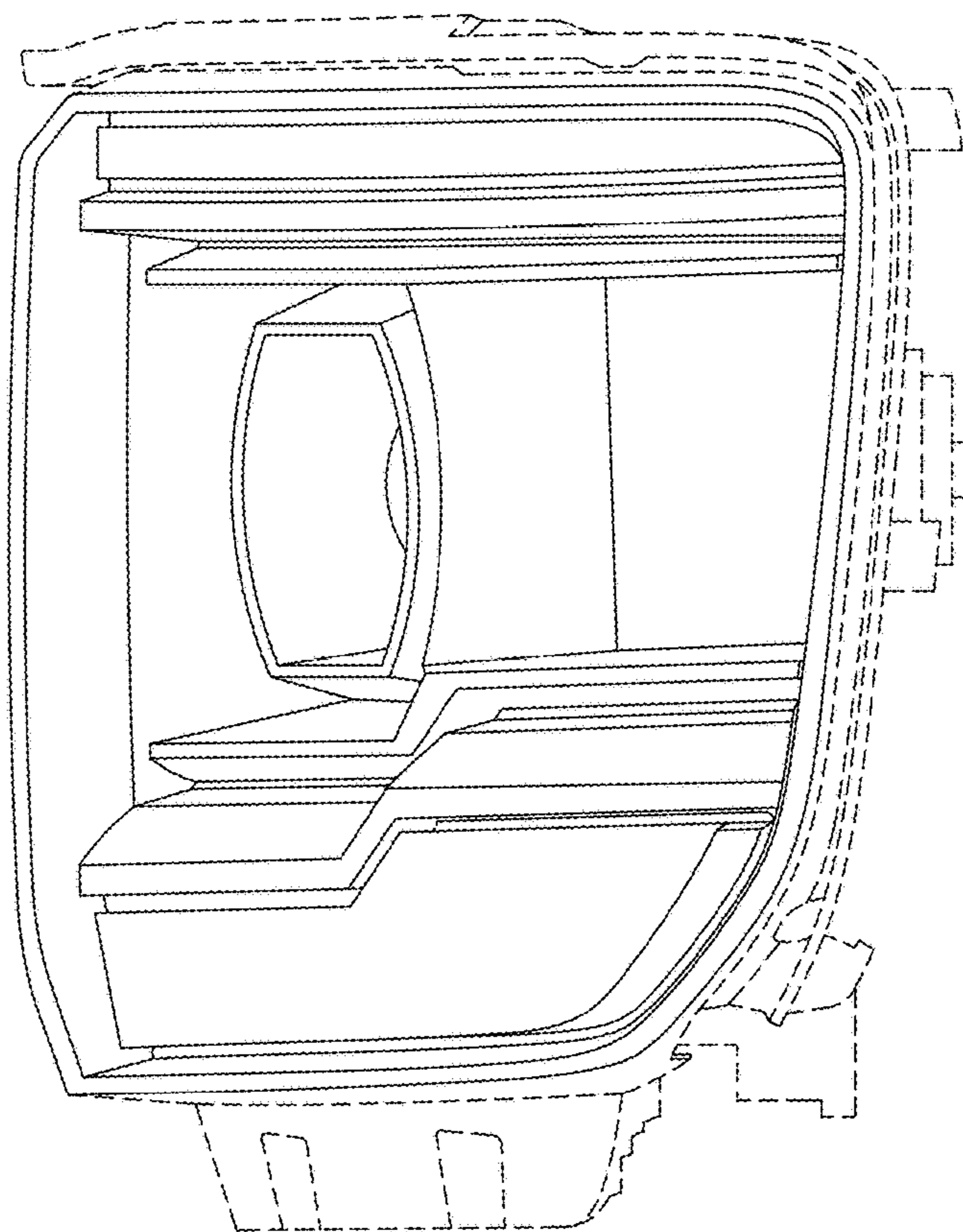


Fig-2

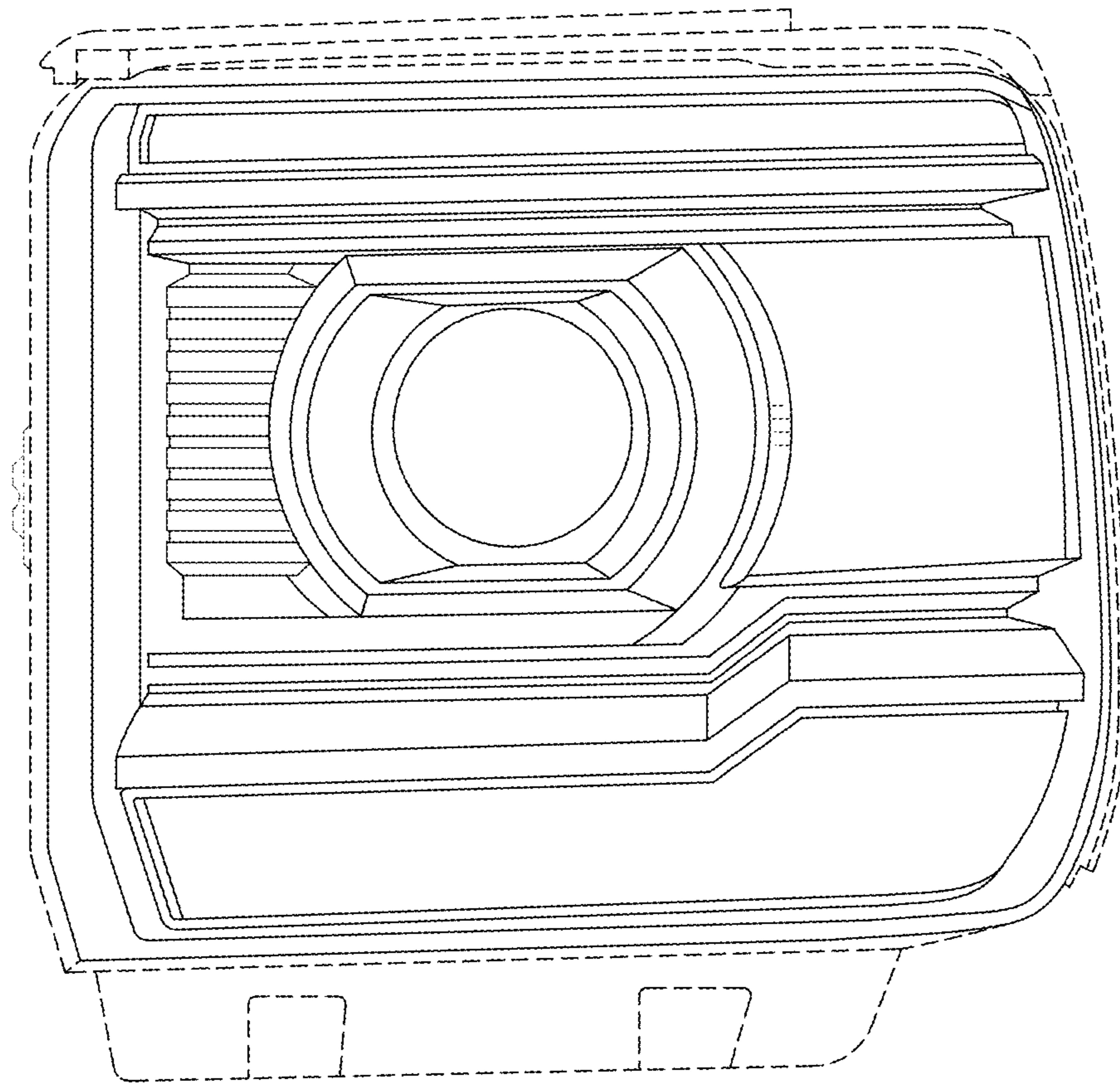


Fig-3