

US00D776304S

(12) **United States Design Patent**  
**Kuriki et al.**

(10) **Patent No.: US D776,304 S**  
(45) **Date of Patent: \*\* Jan. 10, 2017**

(54) **LIGHT SOURCE**

CPC ..... H01J 5/00; H01J 5/16; H01J 1/02;  
H01J 15/00; H01J 5/48; H01J 5/50; H01J  
19/54; F21V 5/00; H01R 5/00; H01R  
13/46; H01R 13/514; H01R 31/048; H01R  
31/02

(71) Applicants: **CITIZEN ELECTRONICS CO.,  
LTD.**, Yamanashi-ken (JP); **CITIZEN  
WATCH CO., LTD.**, Tokyo (JP)

See application file for complete search history.

(72) Inventors: **Shingo Kuriki**, Yamanashi-ken (JP); **Yu  
Kayanuma**, Yamanashi-ken (JP)

(56) **References Cited**

(73) Assignees: **CITIZEN ELECTRONICS CO.,  
LTD.**, Yamanashi-ken (JP); **CITIZEN  
WATCH CO., LTD.**, Tokyo (JP)

U.S. PATENT DOCUMENTS

(\*\*) Term: **15 Years**

D528,996 S \* 9/2006 Egawa ..... D13/180  
D573,553 S \* 7/2008 Uemoto ..... D13/180  
D577,690 S \* 9/2008 Shida ..... D13/180  
D598,401 S 8/2009 Takada et al.  
D622,876 S \* 8/2010 Takahashi ..... D26/1

(21) Appl. No.: **29/538,280**

\* cited by examiner

(22) Filed: **Sep. 2, 2015**

*Primary Examiner* — Marcus Jackson

**Related U.S. Application Data**

(62) Division of application No. 29/461,604, filed on Jul.  
25, 2013, now Pat. No. Des. 742,553.

(74) *Attorney, Agent, or Firm* — Browdy and Neimark,  
PLLC

(30) **Foreign Application Priority Data**

Jan. 27, 2013 (JP) ..... 2013-001432  
Jan. 27, 2013 (JP) ..... 2013-001433  
Jan. 27, 2013 (JP) ..... 2013-001434  
Jan. 27, 2013 (JP) ..... 2013-001435  
Jan. 27, 2013 (JP) ..... 2013-001436

(57) **CLAIM**

The ornamental design for light source, as shown and  
described.

(51) **LOC (10) Cl.** ..... **26-04**

(52) **U.S. Cl.**  
USPC ..... **D26/1; D13/180**

**DESCRIPTION**

(58) **Field of Classification Search**  
USPC ..... D26/1-4; D13/180; 313/313, 315, 316,  
313/317, 318, 493; 315/52, 53, 56, 57, 58

FIG. 1 is a top perspective view of a light source showing  
the claimed design;  
FIG. 2 is a bottom perspective view thereof;  
FIG. 3 is a front view thereof;  
FIG. 4 is a rear view thereof;  
FIG. 5 is a top plan view thereof;  
FIG. 6 is a bottom plan view thereof; and,  
FIG. 7 is a left side view thereof, a right side view opposite  
the left side view being identical to FIG. 7.

**1 Claim, 6 Drawing Sheets**

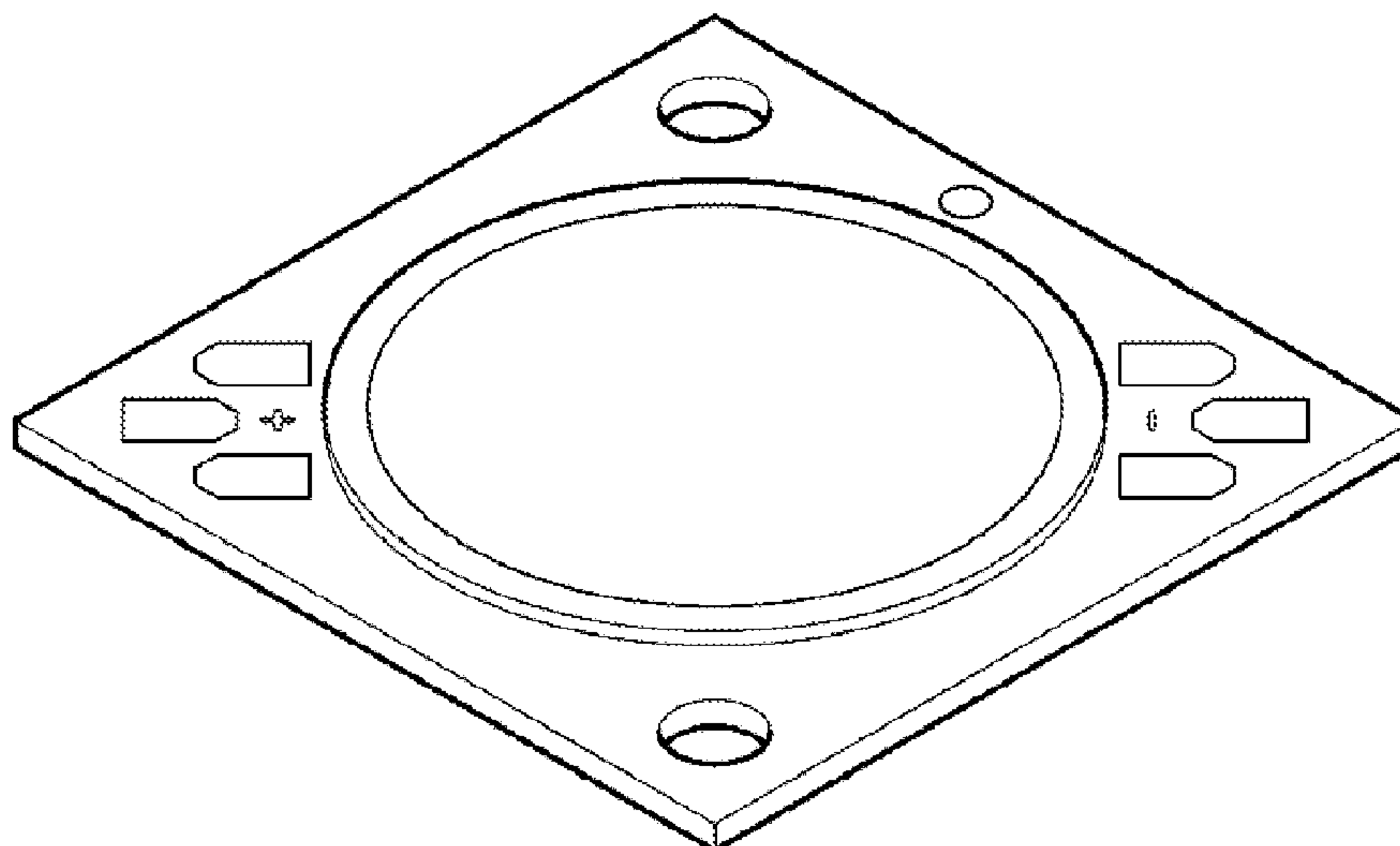


Fig. 1

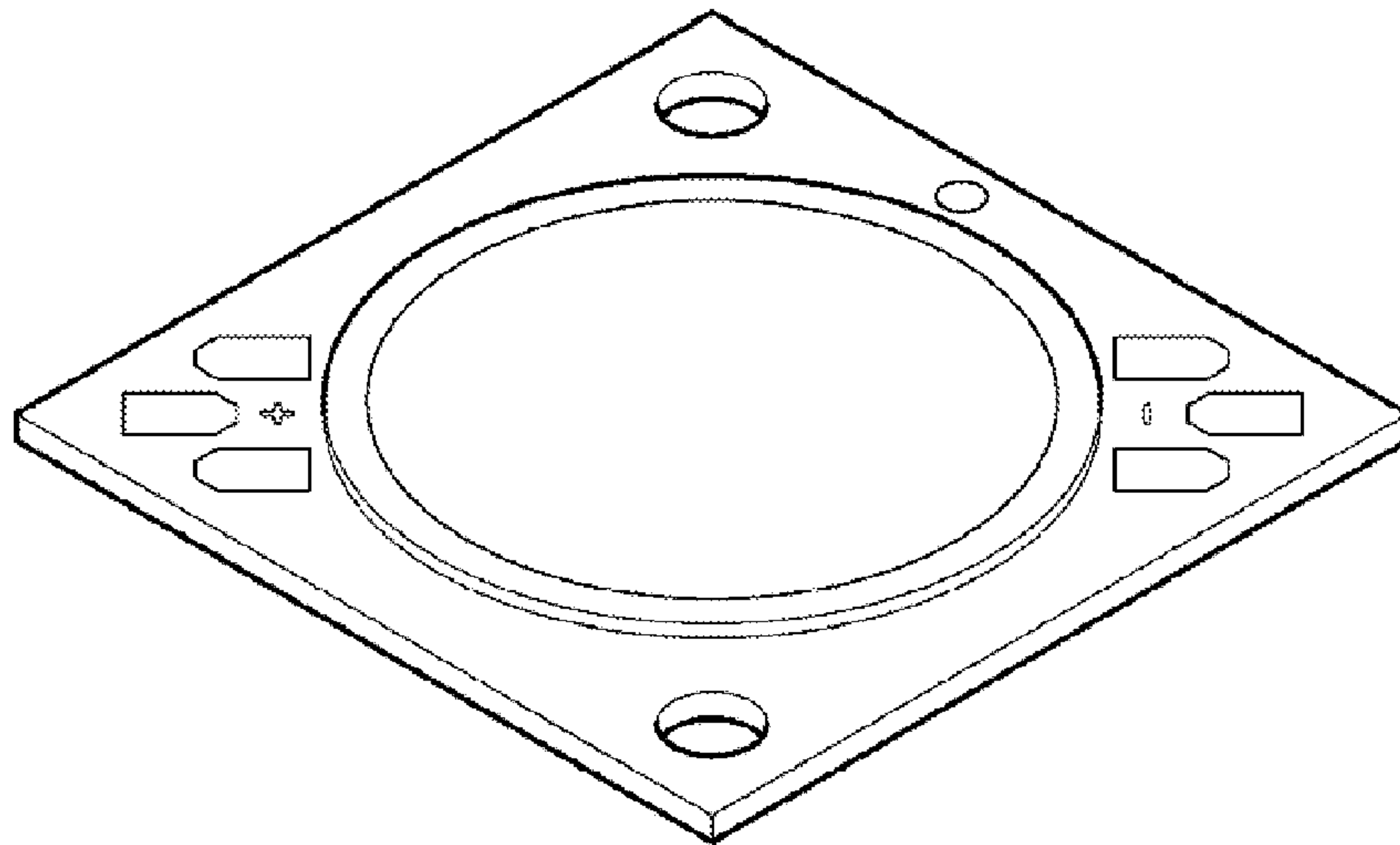


Fig. 2

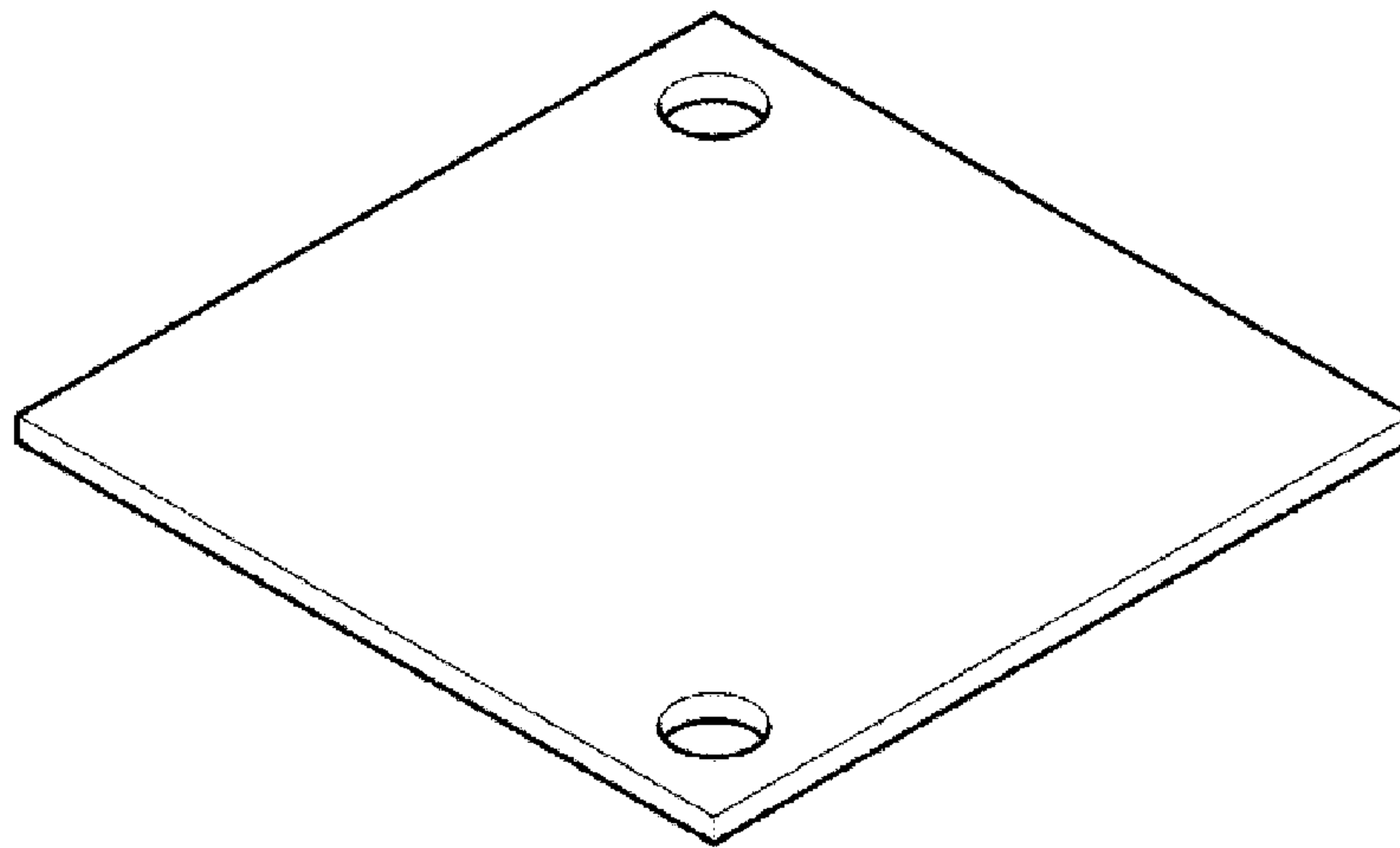


Fig. 3

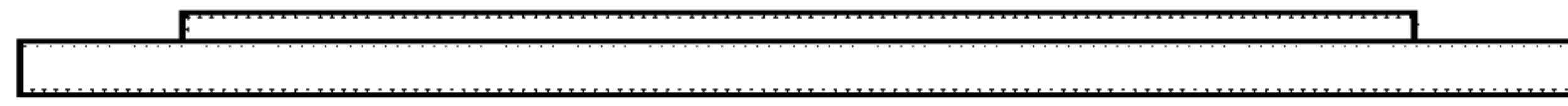


Fig. 4

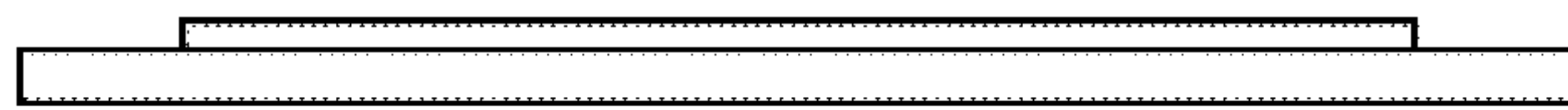


Fig. 5

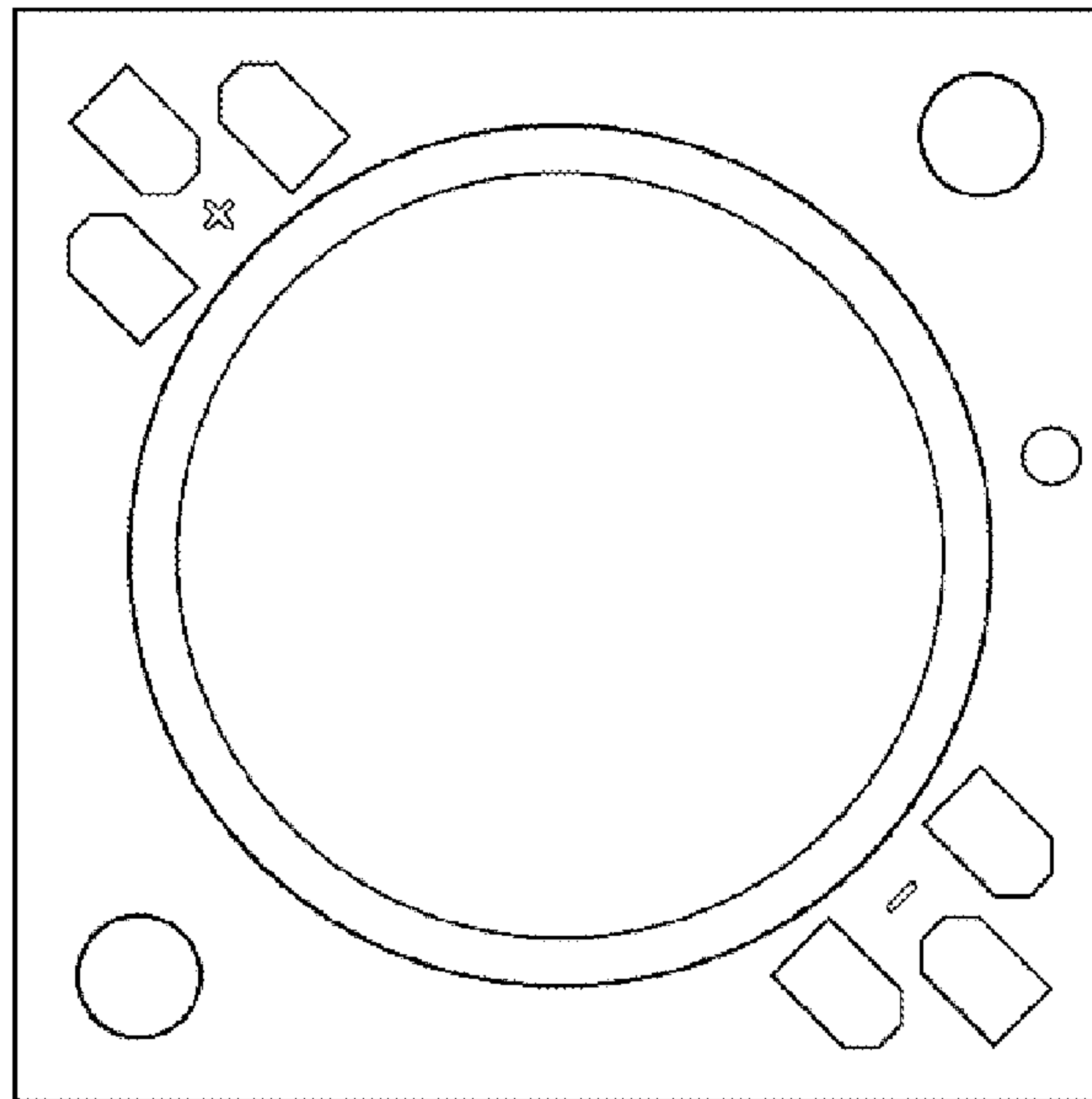


Fig. 6

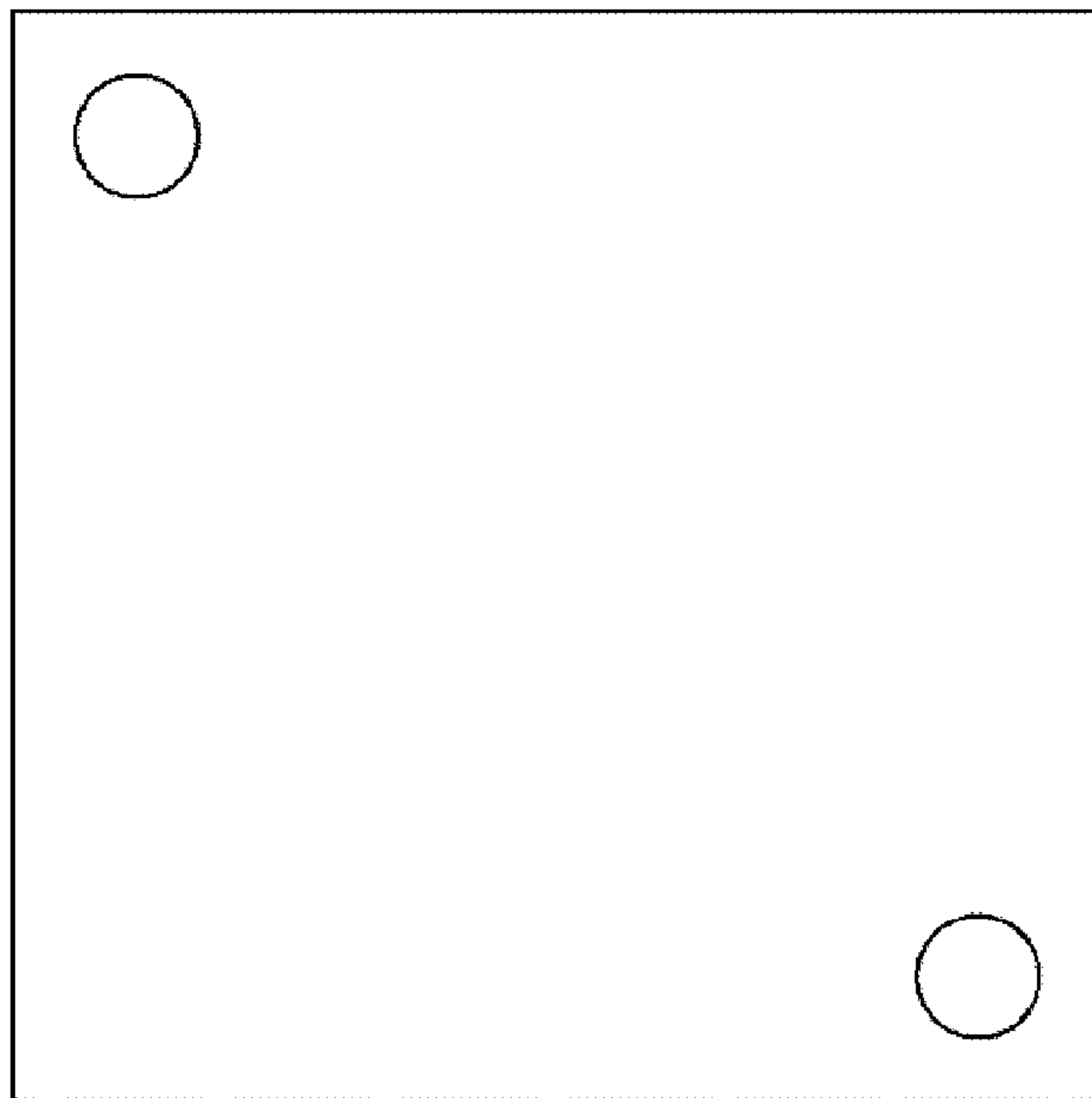


Fig. 7

