



US00D776302S

(12) **United States Design Patent**
Baker et al.

(10) **Patent No.:** **US D776,302 S**
(45) **Date of Patent:** **** Jan. 10, 2017**

- (54) **DRYWALL SHADOW MOLDING**
- (71) Applicant: **USG Interiors, LLC**, Chicago, IL (US)
- (72) Inventors: **Chris C. Baker**, North Aurora, IL (US); **James J. Lehane**, McHenry, IL (US); **Peder J. Gulbrandsen**, Aurora, IL (US)
- (73) Assignee: **USG INTERIORS, LLC**, Chicago, IL (US)
- (**) Term: **15 Years**
- (21) Appl. No.: **29/537,326**
- (22) Filed: **Aug. 25, 2015**
- (51) **LOC (10) Cl.** **25-01**
- (52) **U.S. Cl.**
USPC **D25/136**
- (58) **Field of Classification Search**
USPC D8/403; D23/267; D25/119-125, 136, D25/138, 164, 386, 393, 60-61
CPC E04F 19/022; E04F 19/0228; E04F 19/04; E04F 19/026; E04F 13/06; E04F 13/147; E04B 9/18; E04B 9/28; E04B 9/008; E04B 9/068; E04B 9/067; E04B 9/241; E04B 9/245; E04B 2002/867; E04B 2002/0297; E04B 1/6804; E04C 3/07; E04C 3/32; E04D 1/30; B44C 7/022; B60J 10/02; B60J 10/04; B32B 17/10302
See application file for complete search history.

D711,554 S * 8/2014 Singh D25/119
 D742,547 S * 11/2015 Singh D25/119
 D742,548 S * 11/2015 Singh D25/119
 9,234,348 B1 * 1/2016 Lehane E04B 9/245
 2012/0110936 A1 * 5/2012 Egan E04F 13/073
 52/255

(Continued)

Primary Examiner — Eric Goodman
Assistant Examiner — Amy Wierenga
 (74) *Attorney, Agent, or Firm* — Pearne & Gordon LLP

(57) **CLAIM**

The ornamental design for a drywall shadow molding, as shown and described.

DESCRIPTION

FIG. 1 is a fragmentary perspective view of a drywall shadow molding of our new design;
 FIG. 2 is a side view thereof;
 FIG. 3 is a top view thereof;
 FIG. 4 is an end view thereof, the opposite end being a mirror image;
 FIG. 5 is a side view opposite that of FIG. 2;
 FIG. 6 is a bottom view thereof;
 FIG. 7 is a perspective view of the drywall shadow molding of our new design showing an exemplary environment;
 FIG. 8 is a side view thereof;
 FIG. 9 is a top view thereof;
 FIG. 10 is an end view thereof, the opposite end being a mirror image;
 FIG. 11 is a side view opposite that of FIG. 8; and,
 FIG. 12 is a bottom view thereof.

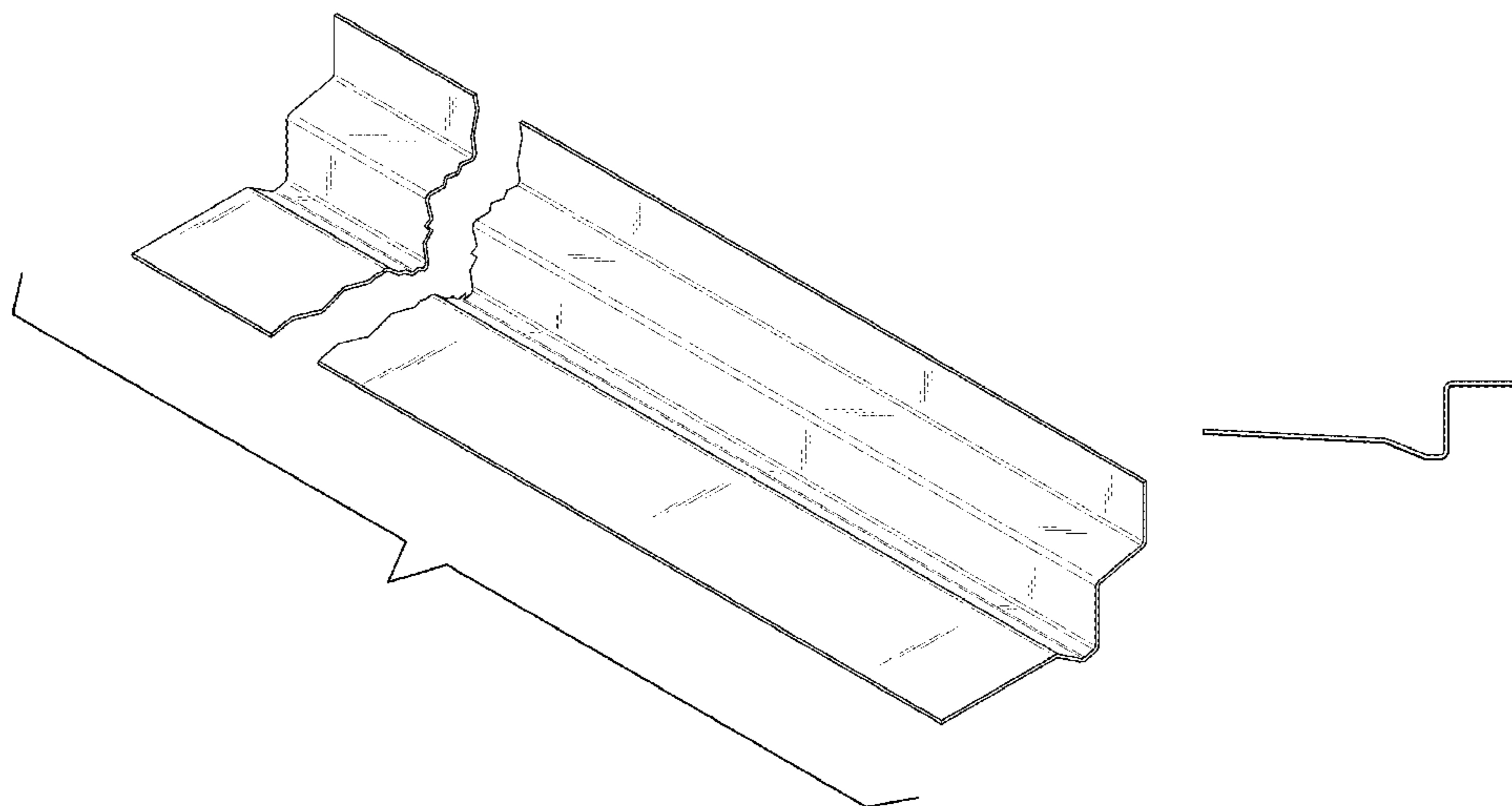
The broken lines shown in the figures represent portions of the drywall shadow molding that forms no part of the claim. The drywall shadow molding is shown with a symbolic break in its length in FIGS. 1-3, 5-9, and 11-12. The appearance of any portion of the article between the break lines forms no part of the claim.

1 Claim, 6 Drawing Sheets

(56) **References Cited**

U.S. PATENT DOCUMENTS

- D425,605 S * 5/2000 Palmisano D23/267
- D479,751 S * 9/2003 Schofield D23/267
- D616,113 S * 5/2010 Budzik D25/121
- D652,955 S * 1/2012 Budzik D25/121
- D656,603 S * 3/2012 Egan D23/393



(56)

References Cited

U.S. PATENT DOCUMENTS

2013/0205696 A1* 8/2013 Little E04F 13/06
52/255
2015/0259929 A1* 9/2015 Koenig, Jr. E04F 19/022
52/287.1

* cited by examiner

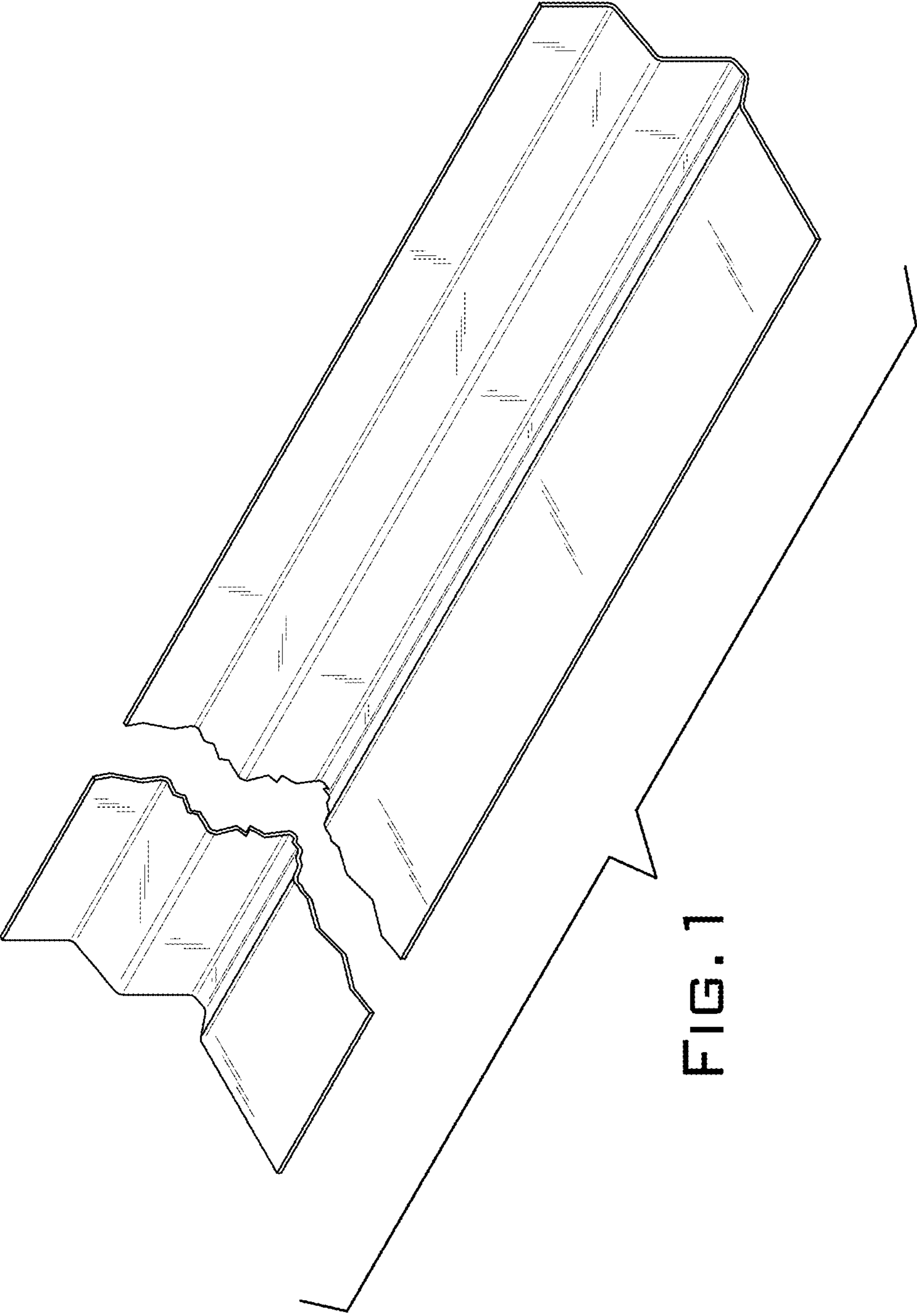


FIG. 1

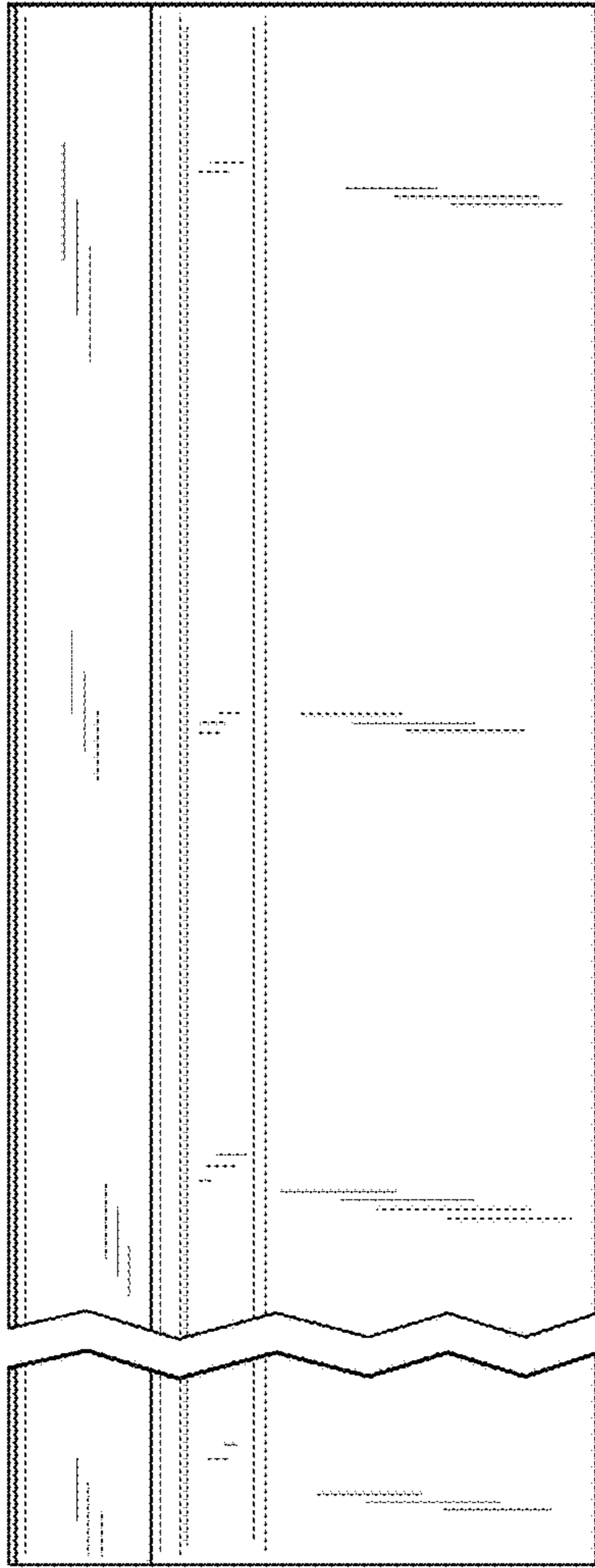


FIG. 3

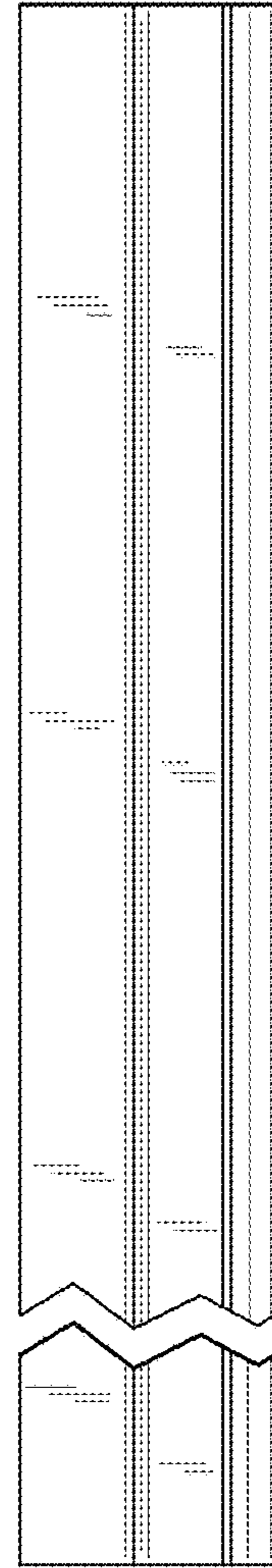


FIG. 2



FIG. 4

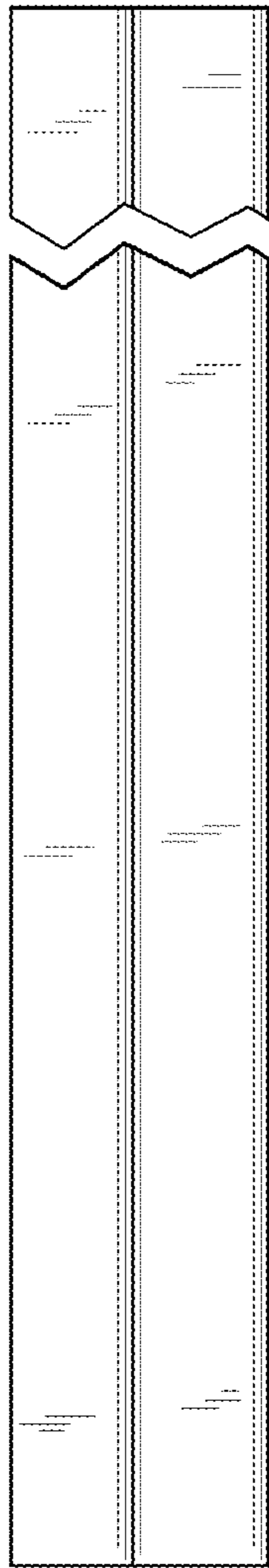


FIG. 5

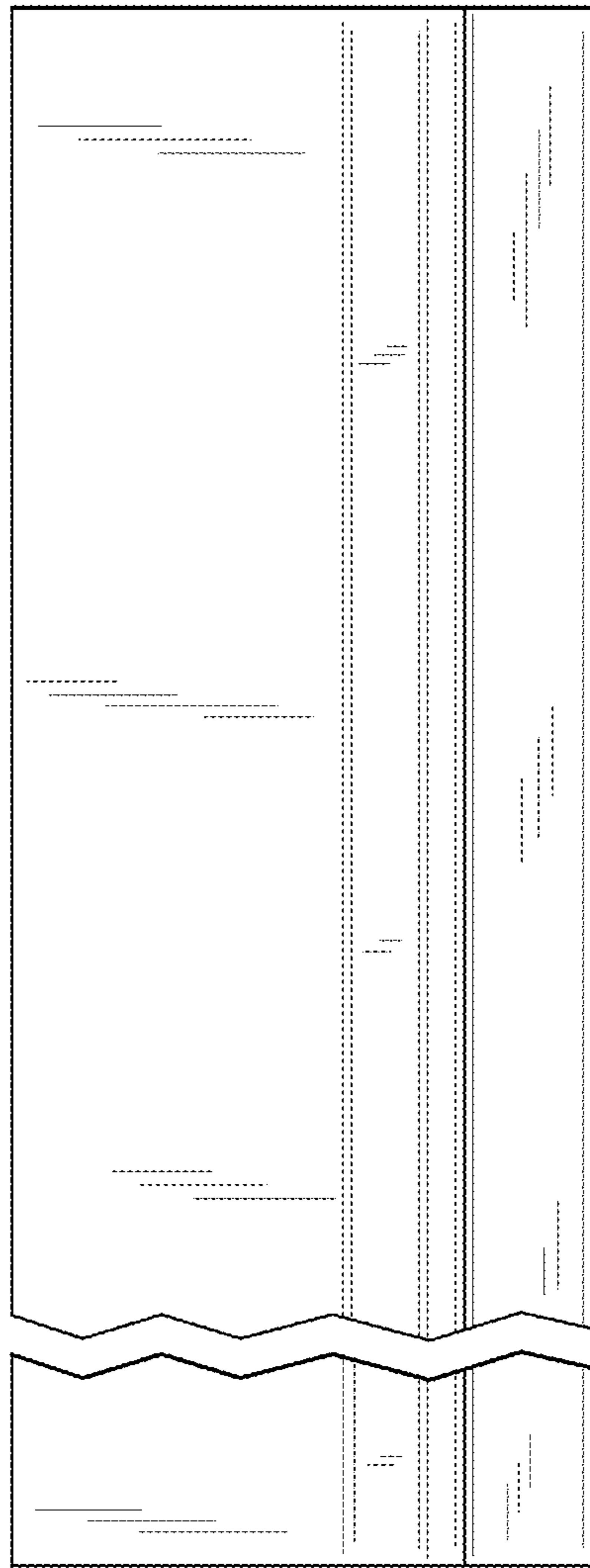


FIG. 6

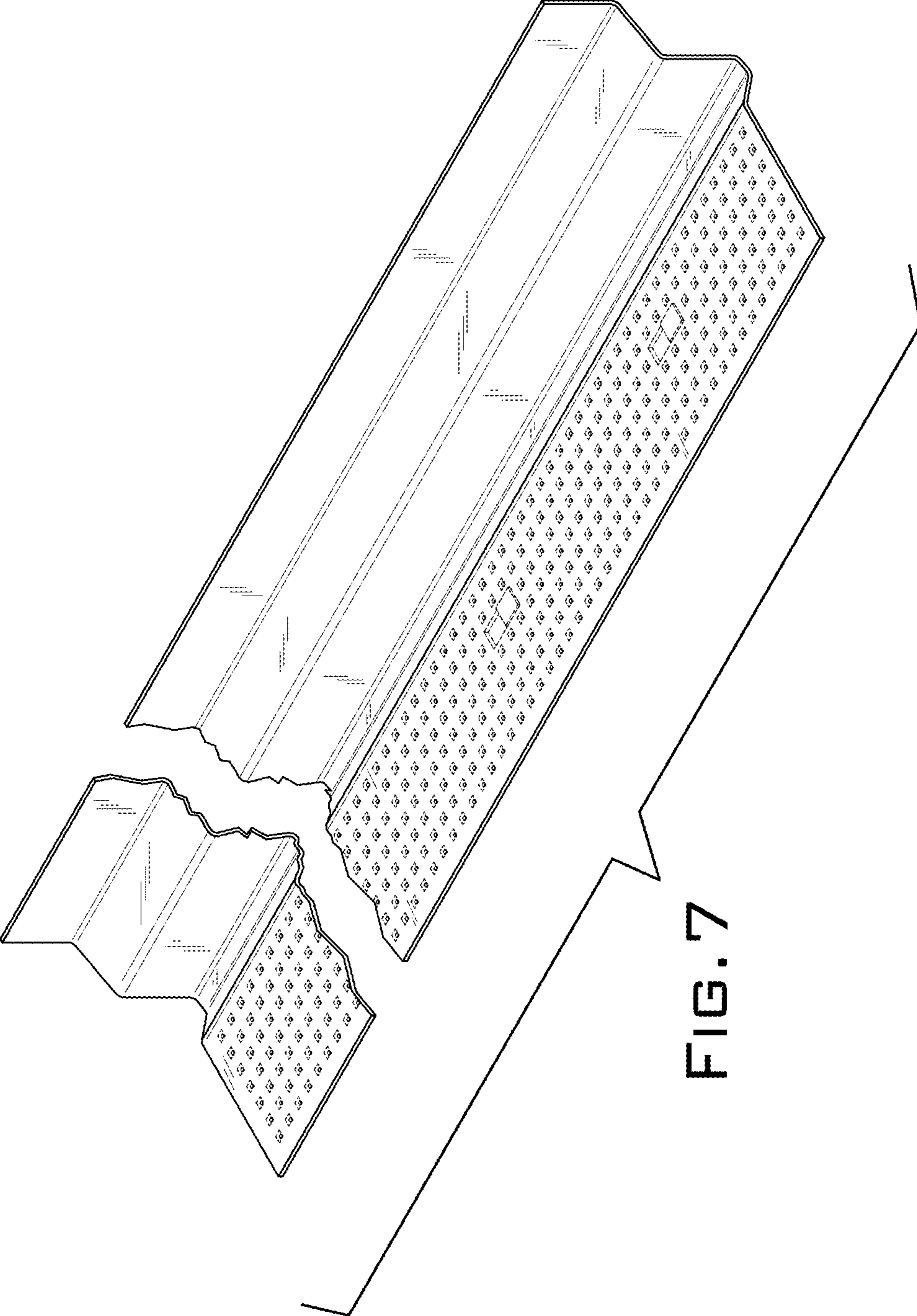


FIG. 7

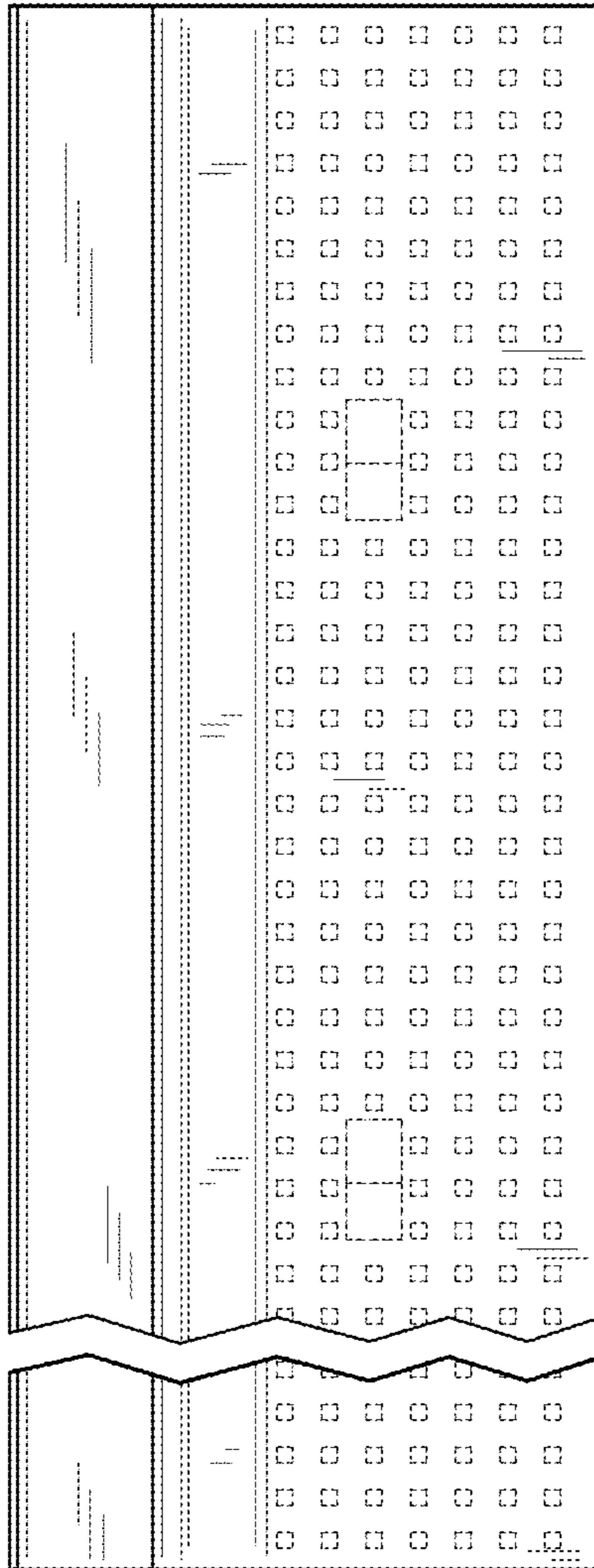


FIG. 9

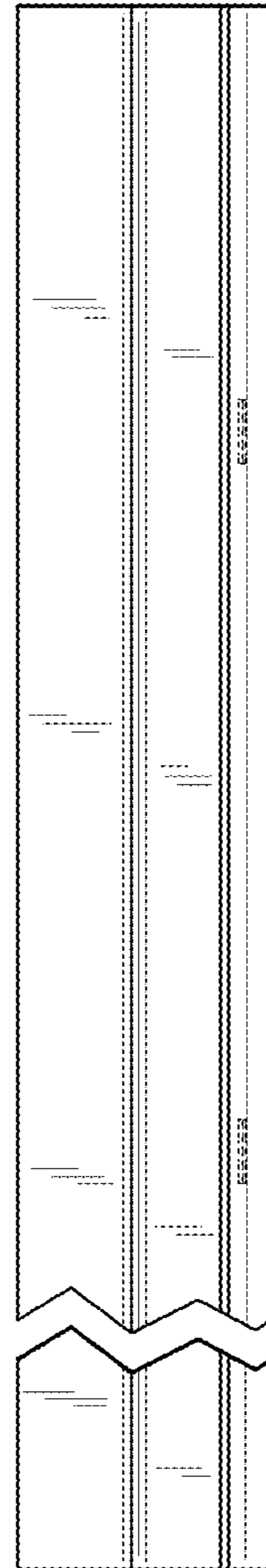


FIG. 8



FIG. 10

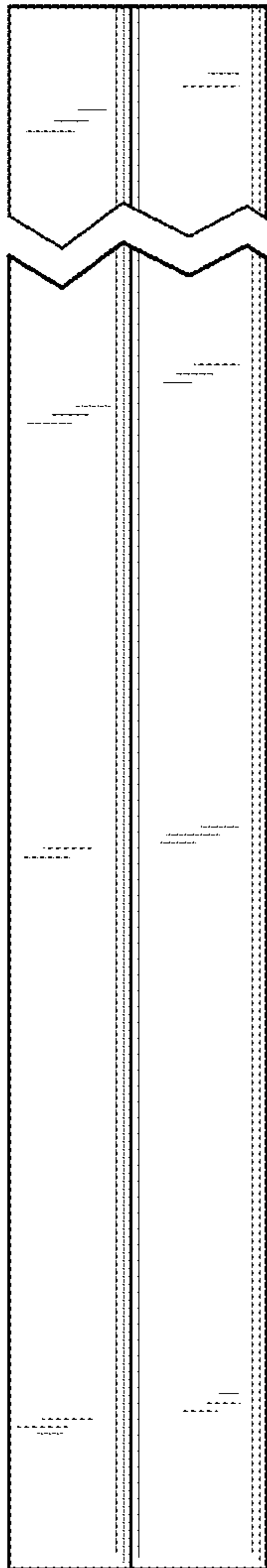


FIG. 11

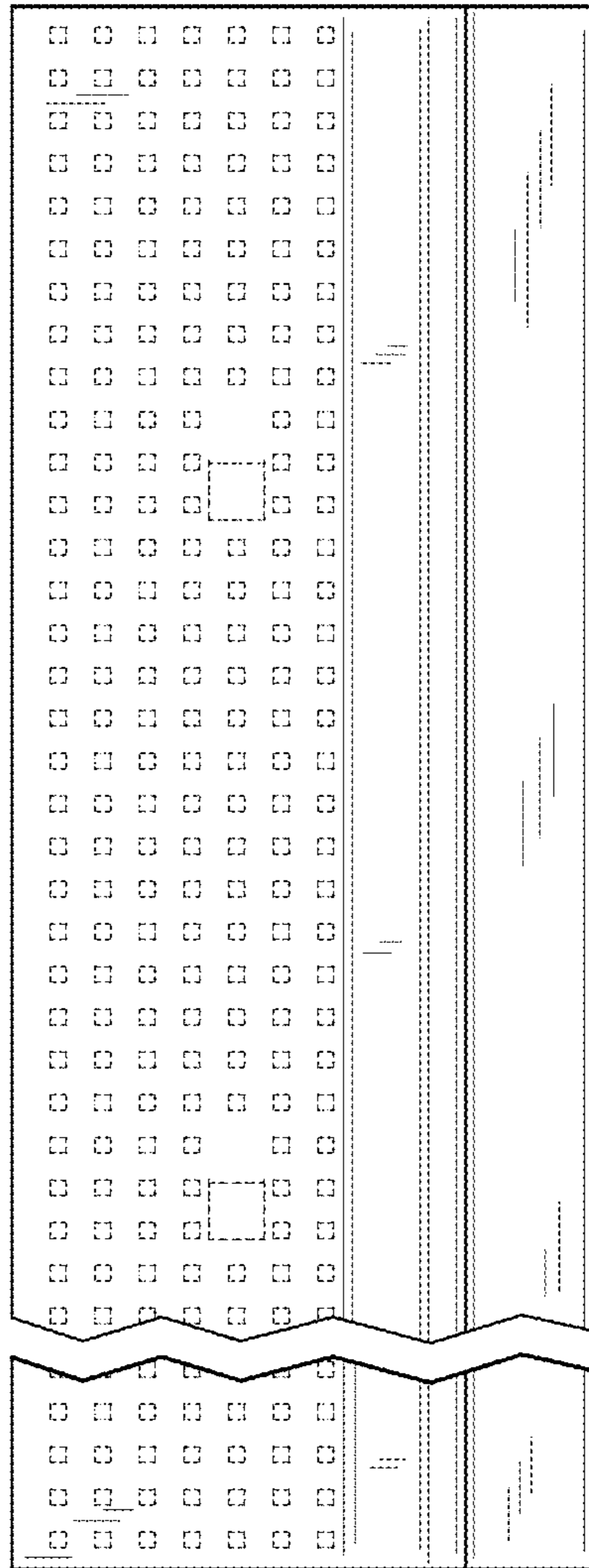


FIG. 12