



US00D776301S

(12) **United States Design Patent**  
**Lamberts**

(10) **Patent No.:** **US D776,301 S**  
(45) **Date of Patent:** **\*\* Jan. 10, 2017**

(54) **BUILDING GLASS**  
(71) Applicant: **Glasfabrik Lamberts GmbH & Co. KG**, Wunsiedel-Holenbrunn (DE)  
(72) Inventor: **Christoph Lamberts**, München (DE)  
(73) Assignee: **Glasfabrik Lamberts GmbH & Co. KG**, Wunsiedel-Holenbrunn (DE)  
(\*\*) Term: **14 Years**

(21) Appl. No.: **29/521,581**  
(22) Filed: **Mar. 25, 2015**

(30) **Foreign Application Priority Data**  
Sep. 26, 2014 (EP) ..... 002545822  
(51) **LOC (10) Cl.** ..... **25-01**  
(52) **U.S. Cl.**  
USPC ..... **D25/125**  
(58) **Field of Classification Search**  
USPC .... D25/103-135, 47.1, 48, 49, 50, 48.7, 60;  
52/201, 204.5, 204.54, 208, 306, 307,  
52/308; 160/104, 201, 202, 235  
See application file for complete search history.

(56) **References Cited**  
U.S. PATENT DOCUMENTS  
1,899,912 A \* 2/1933 Masters ..... E04D 3/28  
52/394  
4,443,987 A \* 4/1984 Erb ..... E04C 2/543  
126/669

D448,495 S \* 9/2001 Lamberts ..... D25/109  
D637,313 S \* 5/2011 Lamberts ..... D25/103  
D647,635 S \* 10/2011 Seehof ..... D25/125  
D698,946 S \* 2/2014 Griffiths ..... D25/125  
D698,947 S \* 2/2014 Griffiths ..... D25/125  
2009/0100773 A1\* 4/2009 Flynn ..... B29C 67/0044  
52/306  
2011/0120031 A1\* 5/2011 Scherba ..... E04C 2/543  
52/202  
2014/0115990 A1\* 5/2014 Brodowski ..... E04B 5/38  
52/306

\* cited by examiner

*Primary Examiner* — Garth Rademaker  
*Assistant Examiner* — Samantha Q Lawrence  
(74) *Attorney, Agent, or Firm* — Global IP Counselors, LLP

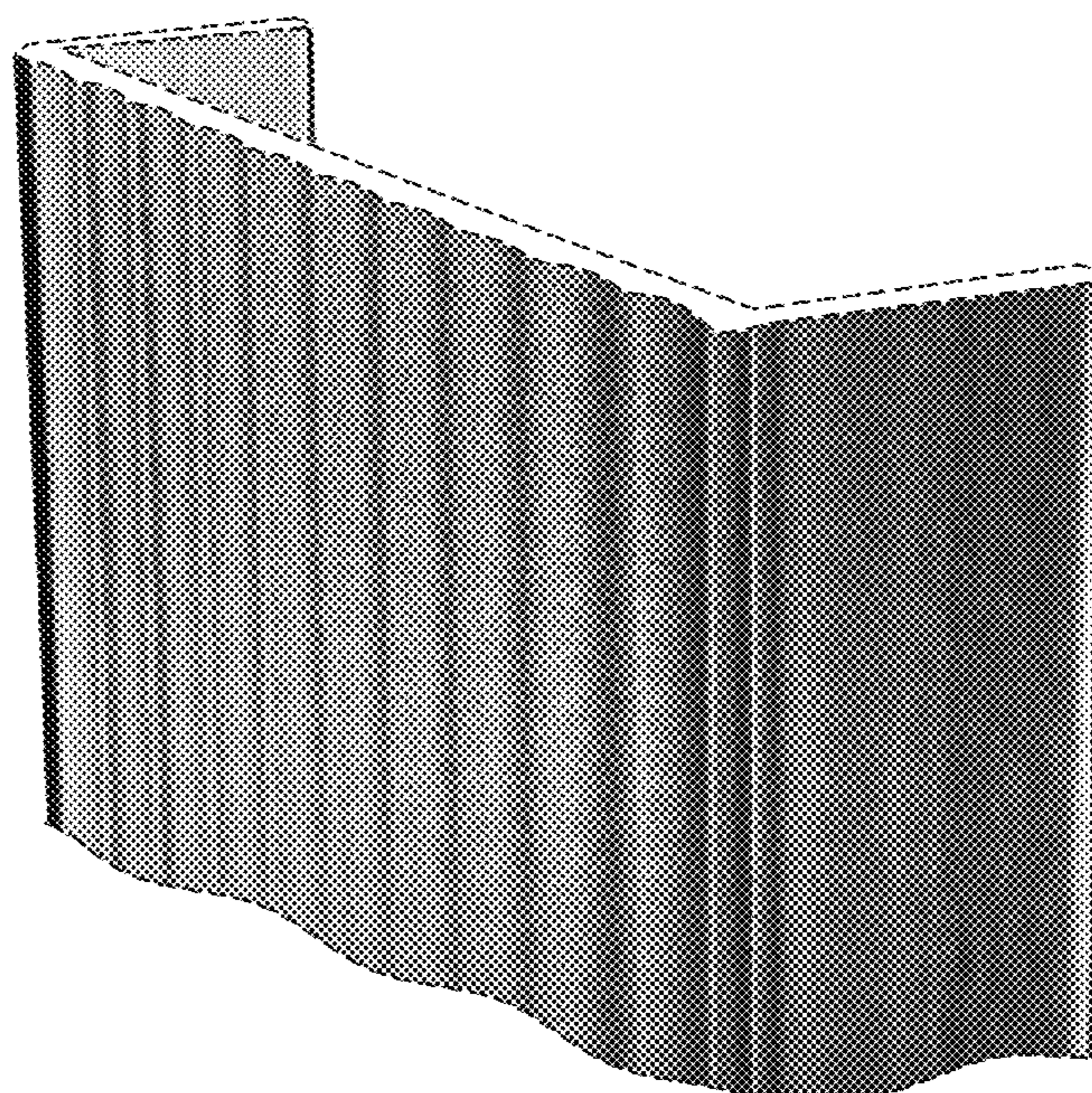
(57) **CLAIM**

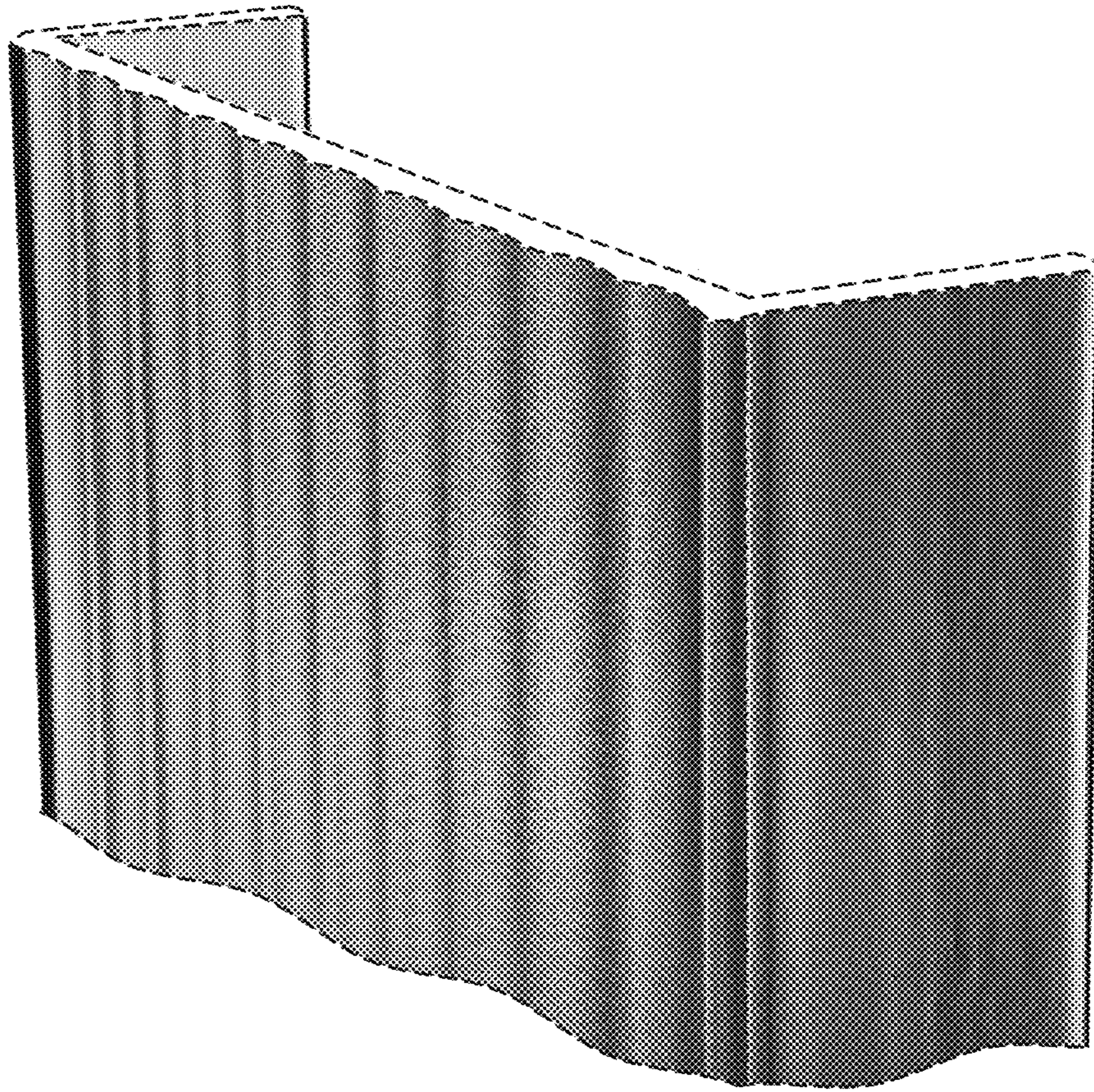
The ornamental design for a building glass, as shown and described.

**DESCRIPTION**

FIG. 1 is a perspective view of a building glass;  
FIG. 2 is a second perspective view of the building glass;  
and,  
FIG. 3 is a third perspective view of the building glass.  
The broken lines in FIG. 1 illustrate the boundaries of the claimed design. The glass body is constructed of a translucent material that at least partially blurs an object that is located behind the glass body to a viewer looking through the glass body. Additional broken lines in FIGS. 2 and 3 illustrate the boundaries of FIGS. 2 and 3.

**1 Claim, 3 Drawing Sheets**





*FIG. 1*

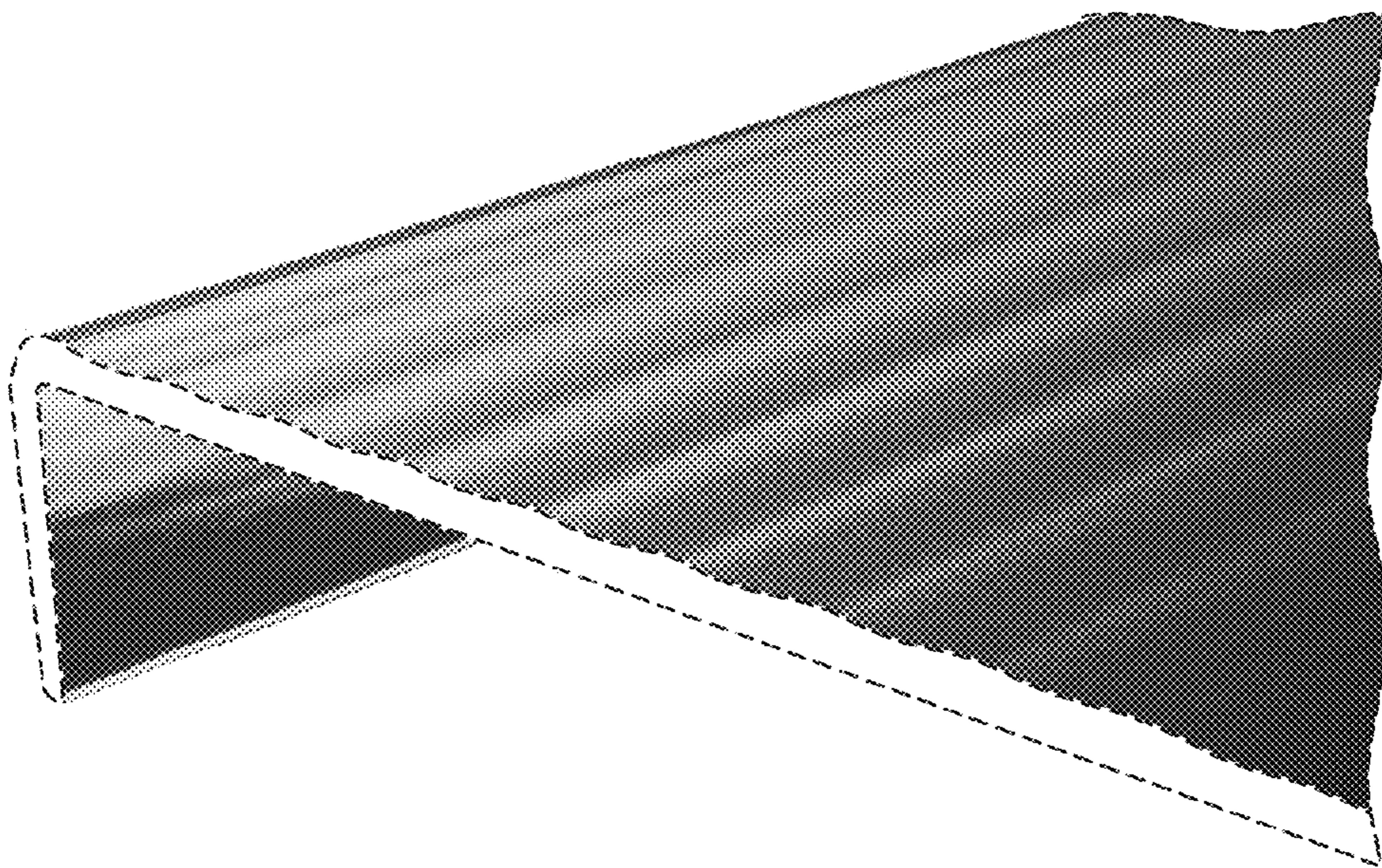
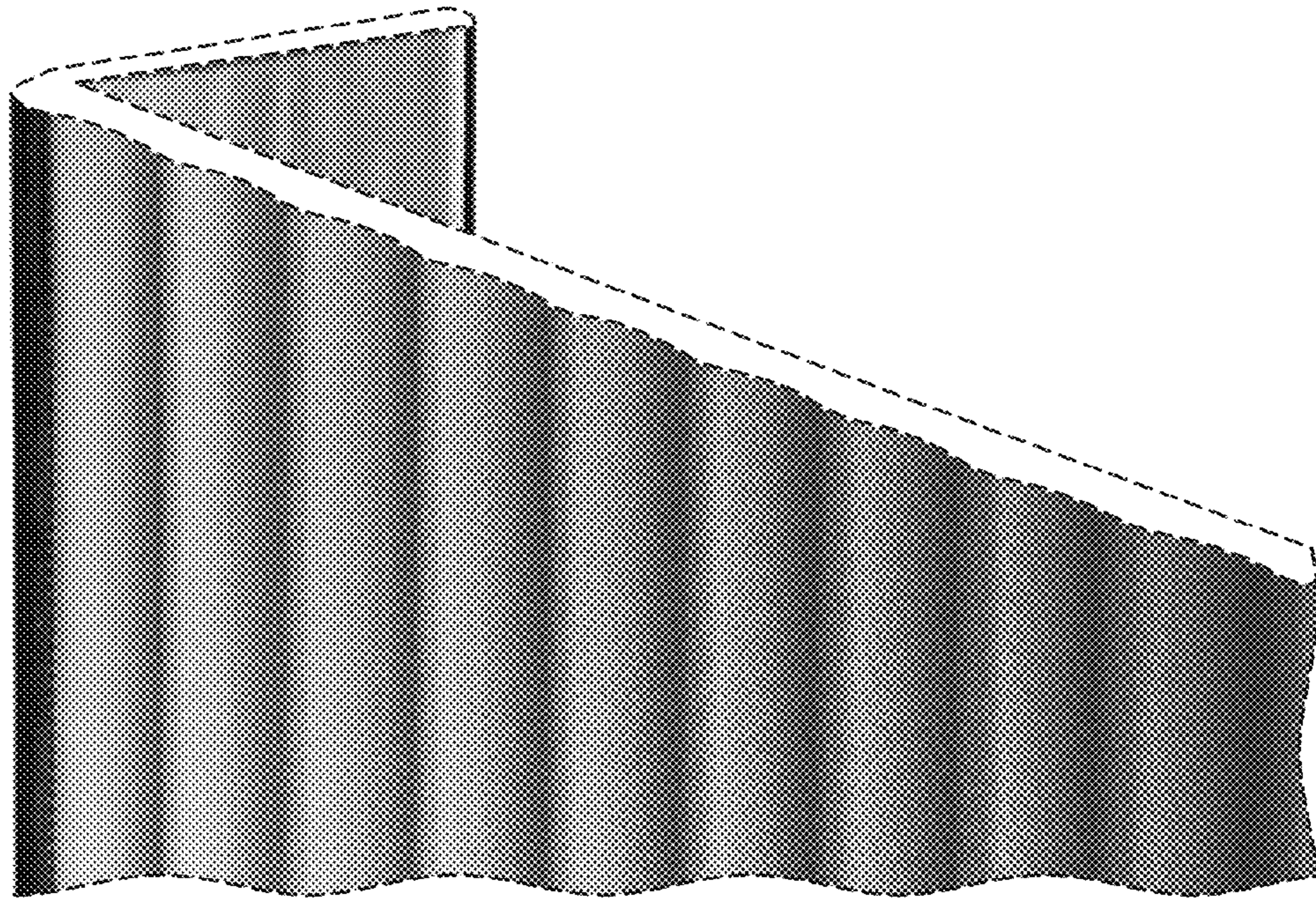


FIG. 2



*FIG. 3*