



US00D776300S

(12) **United States Design Patent**  
**Malpesa Guerrero et al.**

(10) **Patent No.:** **US D776,300 S**  
(45) **Date of Patent:** **\*\* Jan. 10, 2017**

(54) **SLAB FOR BUILDING**  
(71) Applicant: **CERÁMICA MALPESA, S.A.**, Bailén, Jaén (ES)  
(72) Inventors: **José Malpesa Guerrero**, Jaén (ES); **Antonio José Escribano Baeyens**, Jaén (ES)  
(73) Assignee: **CERAMICA MALPESA, S.A.** (ES)  
(\*\*) Term: **15 Years**

2,132,647 A \* 10/1938 Robins ..... A63H 33/108  
446/94  
2,141,397 A 12/1938 Locke  
3,148,477 A \* 9/1964 Bjphirn ..... A63H 33/082  
446/106  
3,228,159 A \* 1/1966 Miller ..... E04B 9/26  
52/222  
4,977,730 A \* 12/1990 Pardo ..... E04F 15/08  
52/602  
5,007,218 A 4/1991 Bengtson et al.  
D483,906 S \* 12/2003 Chandler ..... D25/131  
D765,797 S \* 9/2016 Banik ..... D21/484

(21) Appl. No.: **29/543,110**  
(22) Filed: **Oct. 21, 2015**

**FOREIGN PATENT DOCUMENTS**

WO 01/18317 A1 10/2015  
\* cited by examiner

(30) **Foreign Application Priority Data**  
Apr. 22, 2015 (EM) ..... 002686428-0008  
(51) **LOC (10) Cl.** ..... **25-01**  
(52) **U.S. Cl.**  
USPC ..... **D25/115**  
(58) **Field of Classification Search**  
USPC ..... D8/349; D21/484, 500; D25/102, 112,  
D25/113, 115, 119, 125, 136; 52/302.1,  
52/386, 387, 592.1, 602, 605, 608  
CPC ..... E04B 2/04; E04F 15/08; E04D 11/00  
See application file for complete search history.

*Primary Examiner* — Susan Bennett Hattan  
*Assistant Examiner* — Leanne Was  
(74) *Attorney, Agent, or Firm* — Craig A. Fieschko, Esq.;  
DeWitt Ross & Stevens S.C.

(56) **References Cited**  
U.S. PATENT DOCUMENTS

D4,058 S \* 5/1870 Ellis ..... D21/500  
1,182,980 A \* 5/1916 Converse ..... A63H 33/062  
446/121

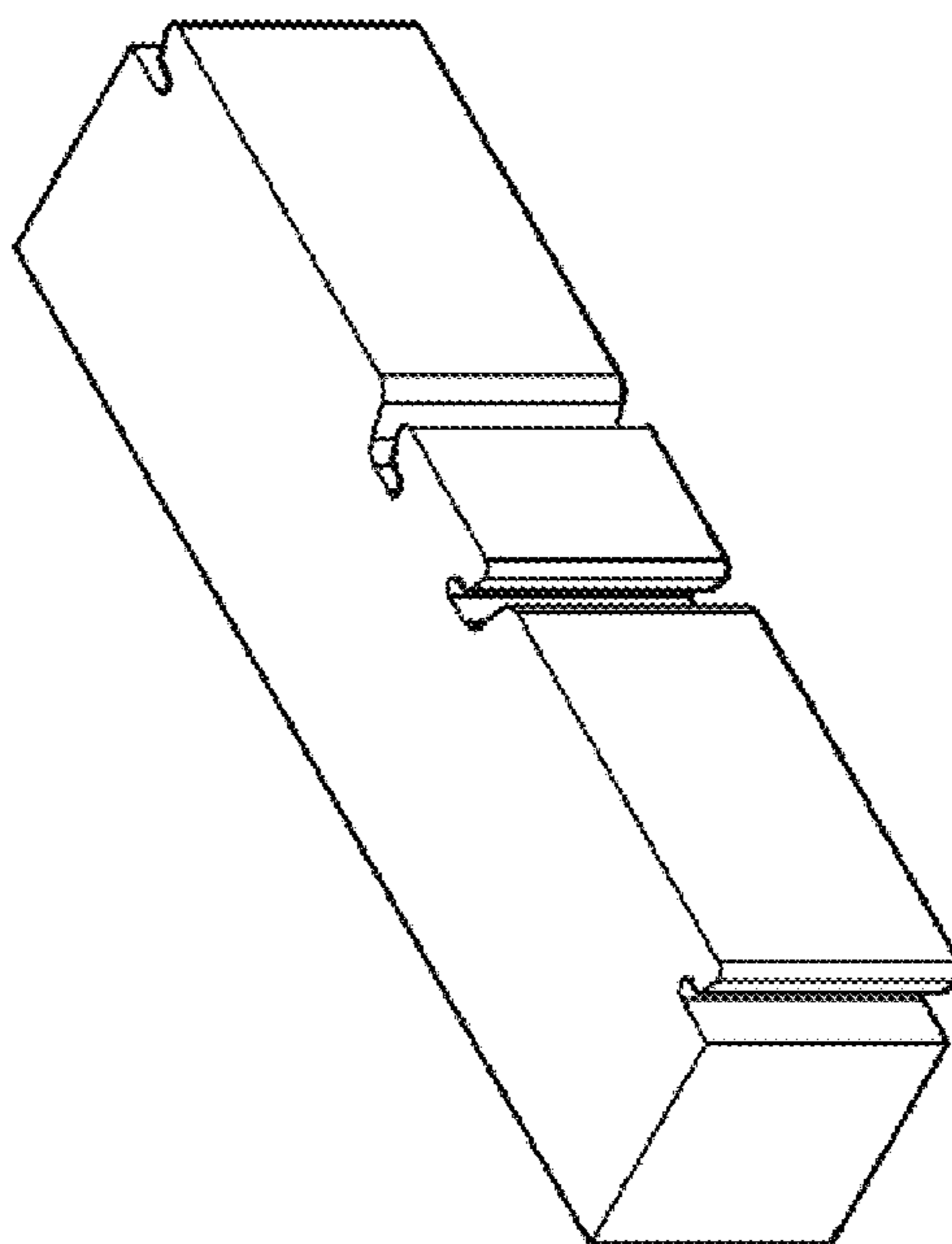
(57) **CLAIM**

We claim the ornamental design for a slab for building, as shown.

**DESCRIPTION**

FIG. 1 is a perspective view of a slab for building showing the top, front, and right sides of the design; FIG. 2 is a top rear perspective view showing the bottom, front, and left sides of the design of FIG. 1; and, FIG. 3 is a bottom frontal perspective view showing the top, rear, and left sides of the design of FIG. 1.

**1 Claim, 3 Drawing Sheets**



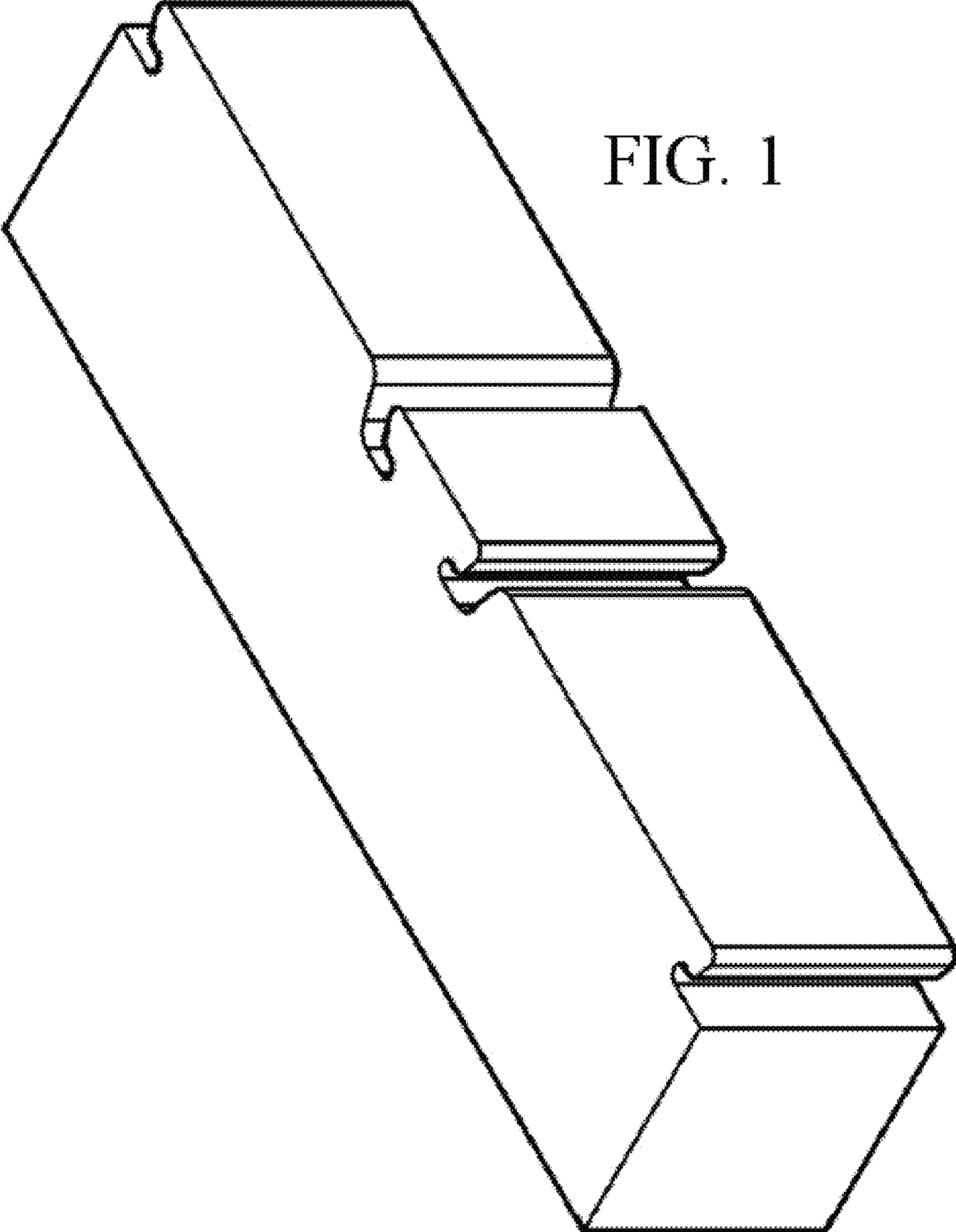


FIG. 1

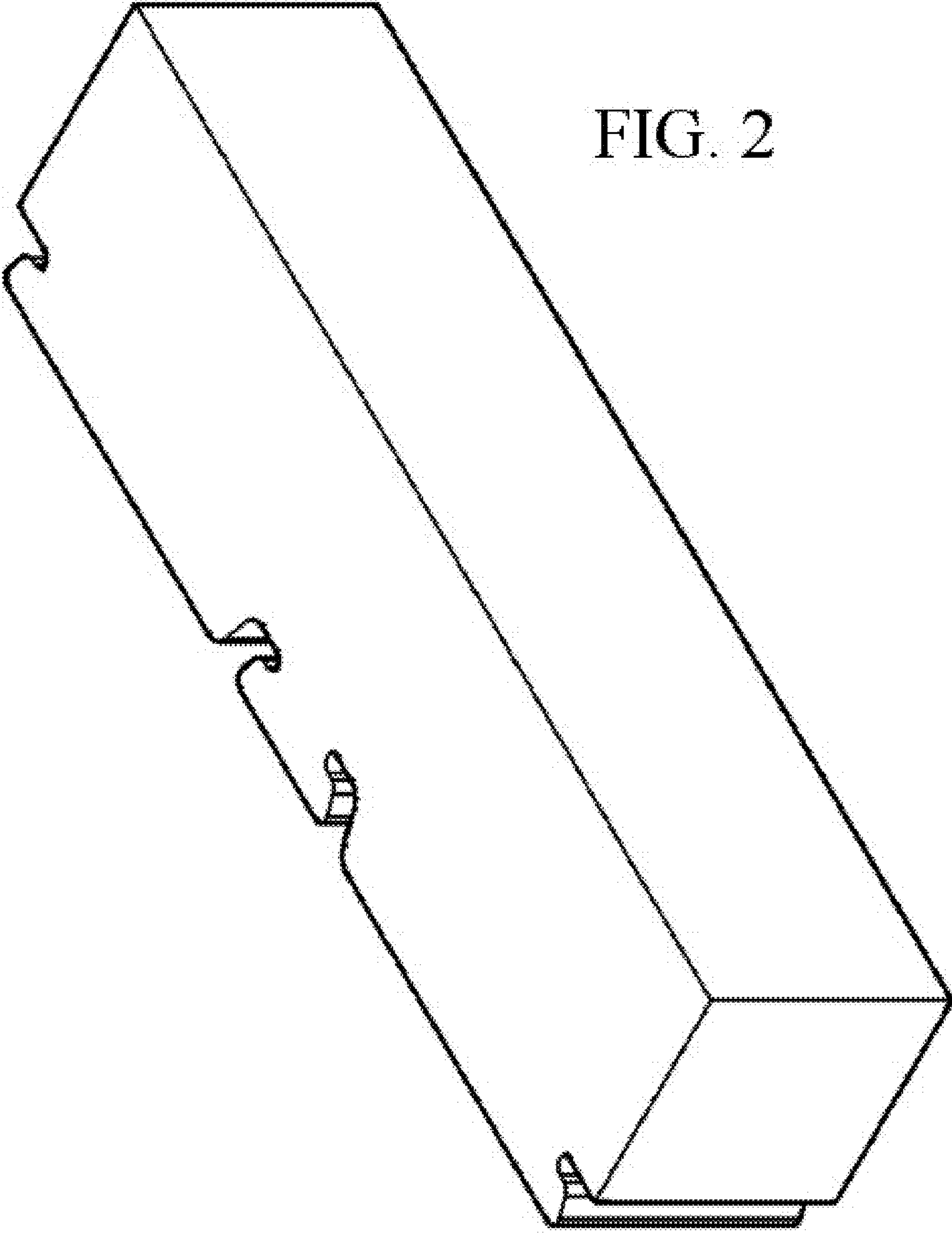


FIG. 2

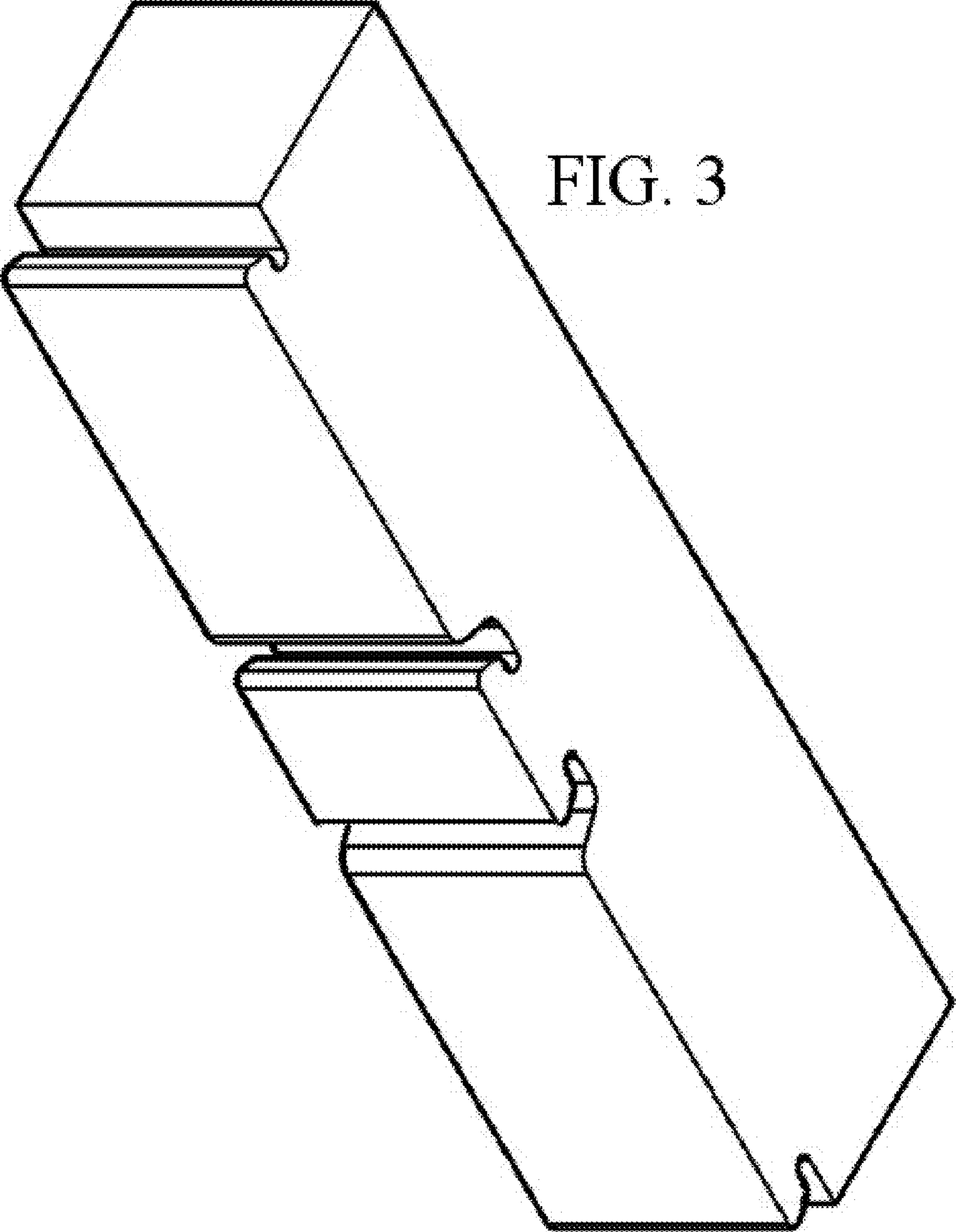


FIG. 3