



US00D776297S

(12) **United States Design Patent**  
**Demas et al.**

(10) **Patent No.: US D776,297 S**  
(45) **Date of Patent: \*\* Jan. 10, 2017**

(54) **MODULAR CARTRIDGE ASSEMBLY**

2300/0861;G01N 21/0483; G01N  
21/0303; G01N 35/00029; G01N  
2035/00019; G01N 2035/00306; G01N  
2035/00326

(71) Applicant: **T2 Biosystems, Inc.**, Lexington, MA  
(US)

See application file for complete search history.

(72) Inventors: **Vasiliki Demas**, Arlington, MA (US);  
**Trevor Beckett**, Lexington, MA (US);  
**Michael Withers**, Lexington, MA (US);  
**Robin Lee**, Lexington, MA (US);  
**Parris S. Wellman**, Reading, MA (US)

(56) **References Cited**

U.S. PATENT DOCUMENTS

D284,214 S	6/1986	Hatcher et al.
D285,118 S	8/1986	Huang
D288,479 S	2/1987	Covell et al.
D303,711 S	9/1989	DesRosier et al.
D330,085 S	10/1992	Crerar et al.
D332,145 S	12/1992	Wada et al.
D345,611 S	3/1994	Long

(Continued)

(73) Assignee: **T2 Biosystems, Inc.**, Lexington, MA  
(US)

*Primary Examiner* — Anhdao Doan

(\*\*) Term: **14 Years**

(74) *Attorney, Agent, or Firm* — Clark & Elbing LLP

(21) Appl. No.: **29/508,721**

(22) Filed: **Nov. 10, 2014**

**Related U.S. Application Data**

(63) Continuation of application No. 29/469,228, filed on Oct. 8, 2013, now Pat. No. Des. 717,470, which is a continuation of application No. 29/440,919, filed on Dec. 28, 2012, now Pat. No. Des. 691,733, which is a continuation of application No. 29/390,300, filed on Apr. 22, 2011, now Pat. No. Des. 674,112, which is a continuation-in-part of application No. 12/910,594, filed on Oct. 22, 2010, now Pat. No. 8,563,298.

(57) **CLAIM**

The ornamental design for a modular cartridge assembly, substantially as shown and described.

(51) **LOC (10) Cl.** ..... **24-01**

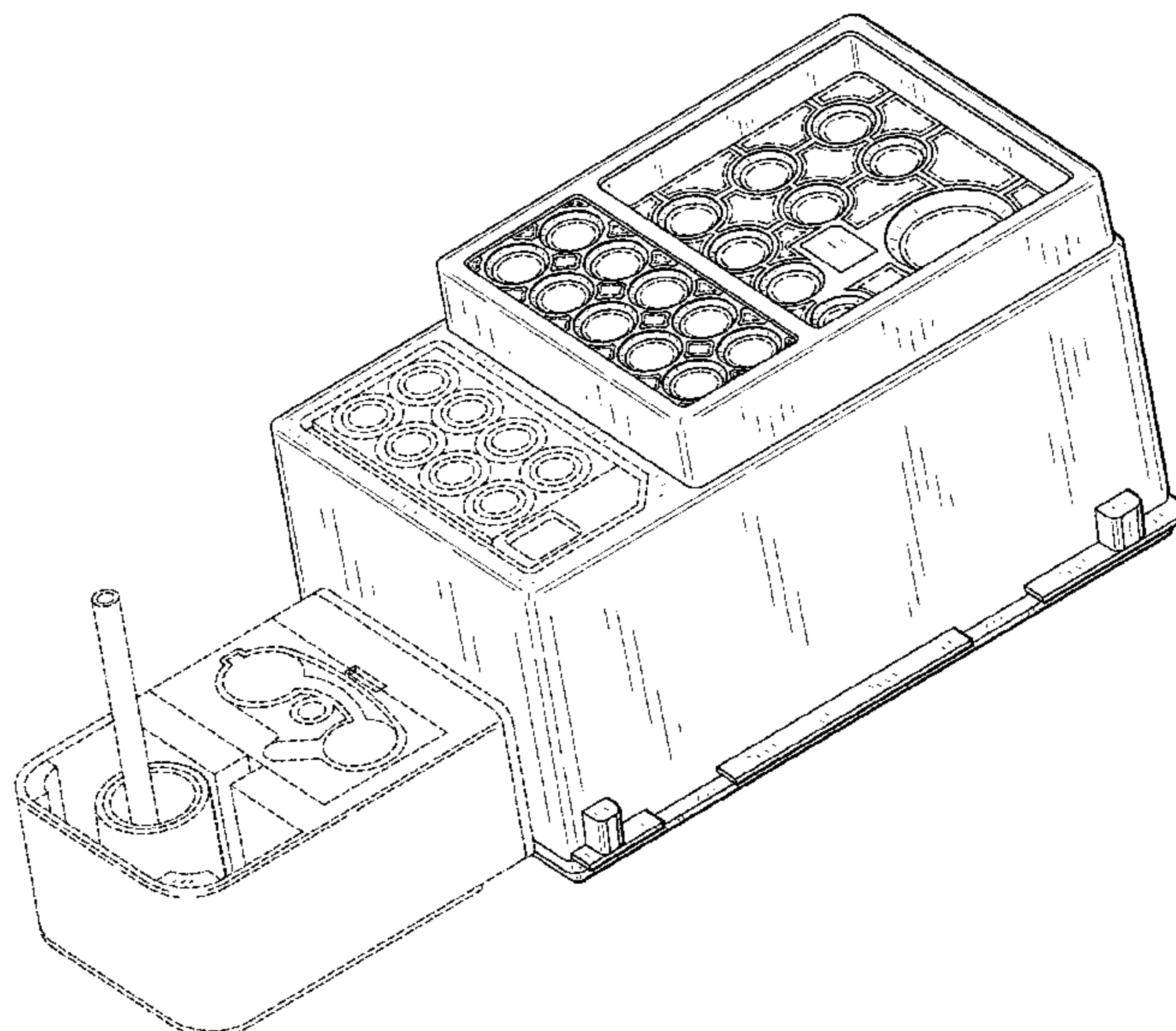
(52) **U.S. Cl.**  
USPC ..... **D24/230**

**DESCRIPTION**

FIG. 1 is a perspective view of a cartridge body for modular cartridge assembly embodying the claimed design.  
FIG. 2 is a front view of the cartridge body.  
FIG. 3 is a rear view of the cartridge body.  
FIG. 4 is a left side view of the cartridge body.  
FIG. 5 is a right side view of the cartridge body.  
FIG. 6 is a top view of the cartridge body; and,  
FIG. 7 is a bottom view of the cartridge body.  
The broken lines immediately adjacent the shaded areas represent the bounds of the claim, while all other broken lines are directed to environment and are for illustrative purposes only. The broken lines form no part of the claimed design.

(58) **Field of Classification Search**  
USPC ..... D24/216–230, 231, 232, 107, 169,  
D24/186, 201; D10/81  
CPC ..... B01L 2200/10; B01L 2200/16; B01L  
2300/0809; B01L 2300/0816; B01L  
2300/0822; B01L 2300/0829; B01L  
2300/0832; B01L 2300/0806; B01L

**1 Claim, 6 Drawing Sheets**



(56)

References Cited

U.S. PATENT DOCUMENTS

D366,529 S 1/1996 Babaoglu et al.  
D414,561 S 9/1999 Escoffier  
D416,330 S 11/1999 Brown  
D438,632 S 3/2001 Miller  
D452,740 S 1/2002 Brennan et al.  
D492,419 S 6/2004 Farina  
D516,732 S 3/2006 Sakurai et al.  
D556,338 S \* 11/2007 Coulling ..... D24/230  
D628,306 S \* 11/2010 Blanc ..... D24/230  
D632,803 S 2/2011 Motadel et al.  
D657,473 S \* 4/2012 Miyashita ..... D24/224  
D674,112 S 1/2013 Demas et al.  
8,883,423 B2 11/2014 Neely  
2010/0180980 A1 \* 7/2010 Lee ..... B01L 3/5029  
141/1  
2010/0233035 A1 \* 9/2010 Denawa ..... G01N 35/1002  
422/509  
2013/0244238 A1 9/2013 Neely et al.  
2013/0260367 A1 10/2013 Lowery, Jr. et al.  
2013/0266944 A1 10/2013 Neely et al.  
2013/0273522 A1 10/2013 Lowery, Jr. et al.  
2013/0273523 A1 10/2013 Neely et al.

\* cited by examiner

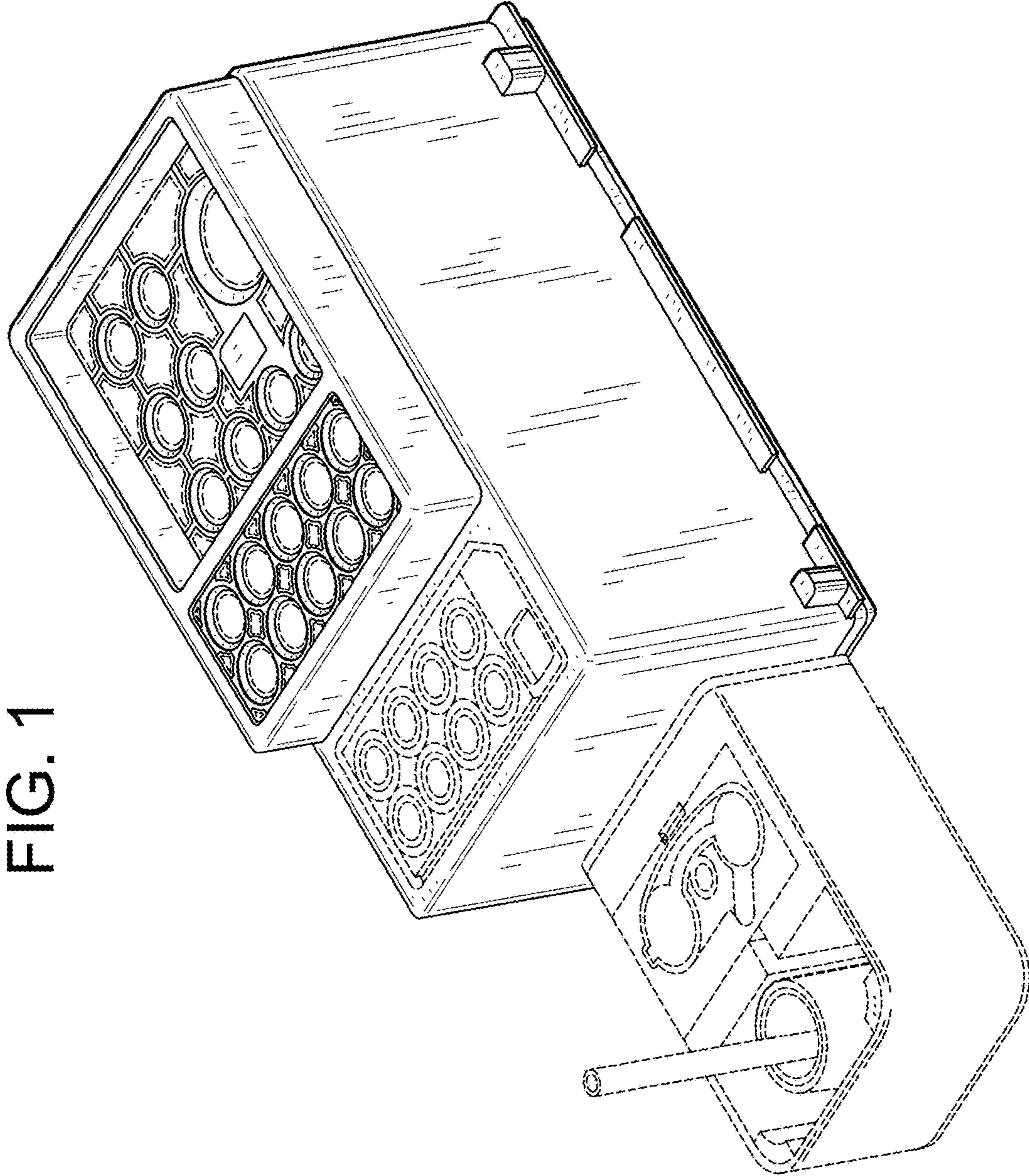


FIG. 1

FIG. 3

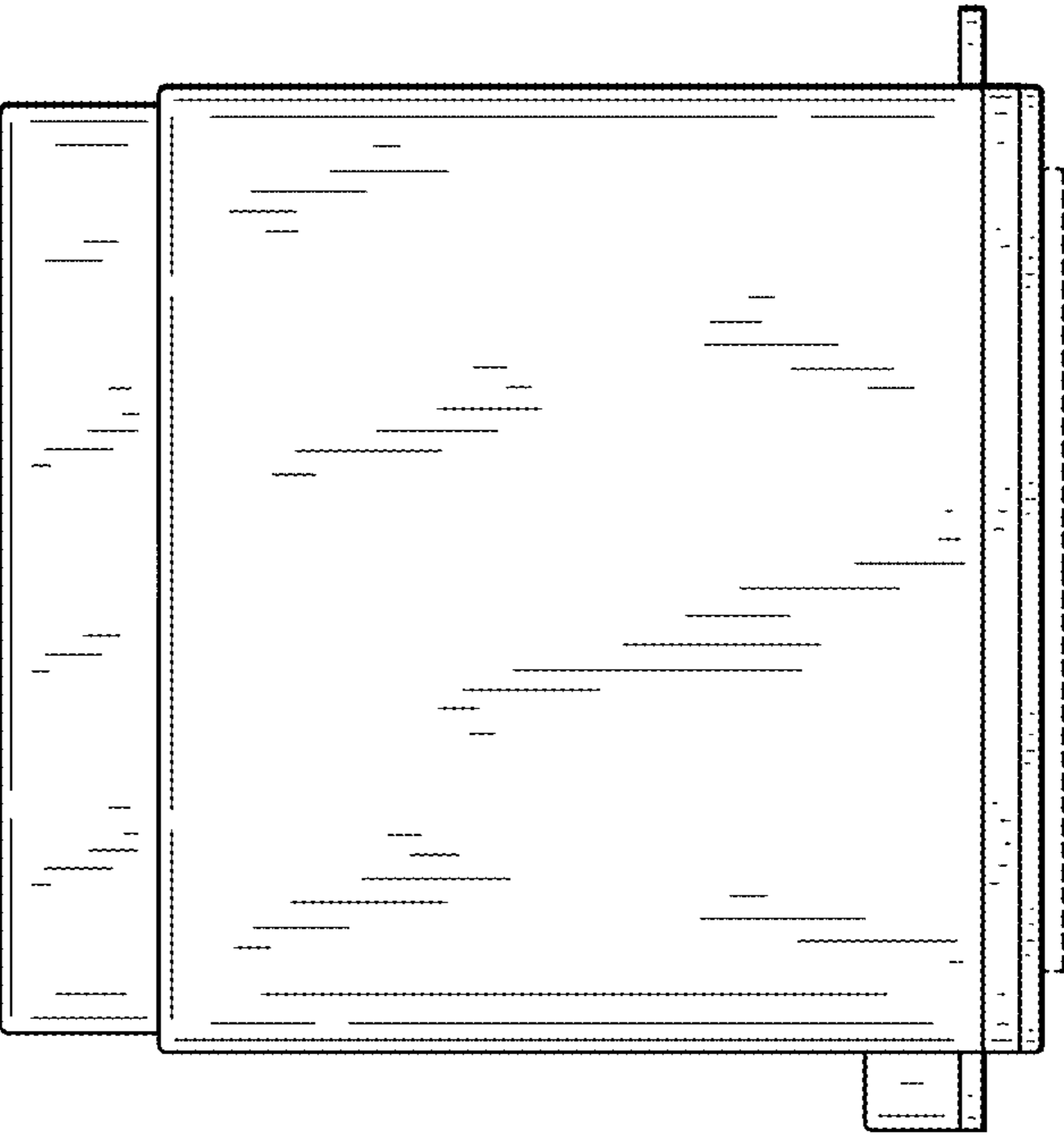


FIG. 2

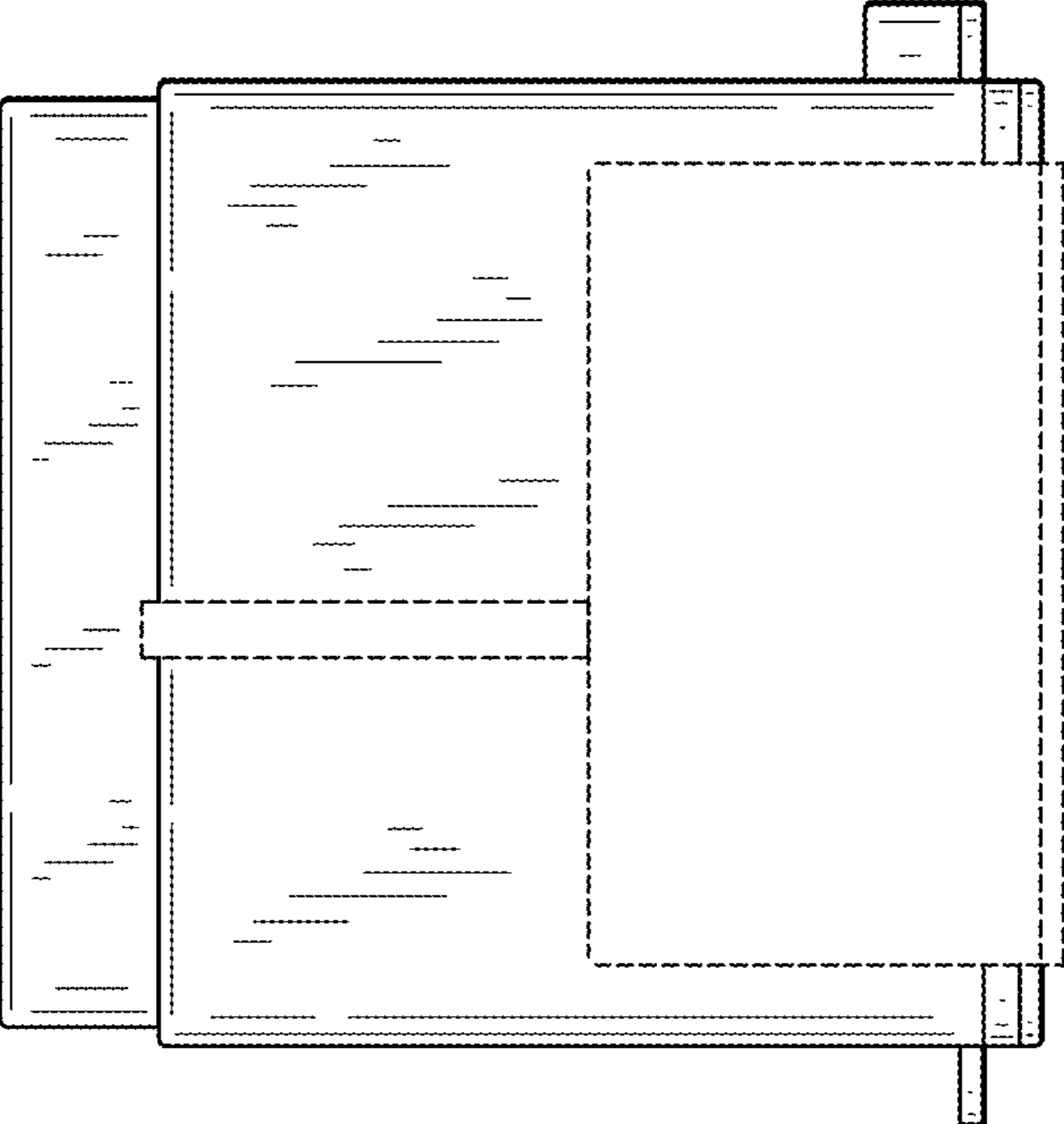


FIG. 4

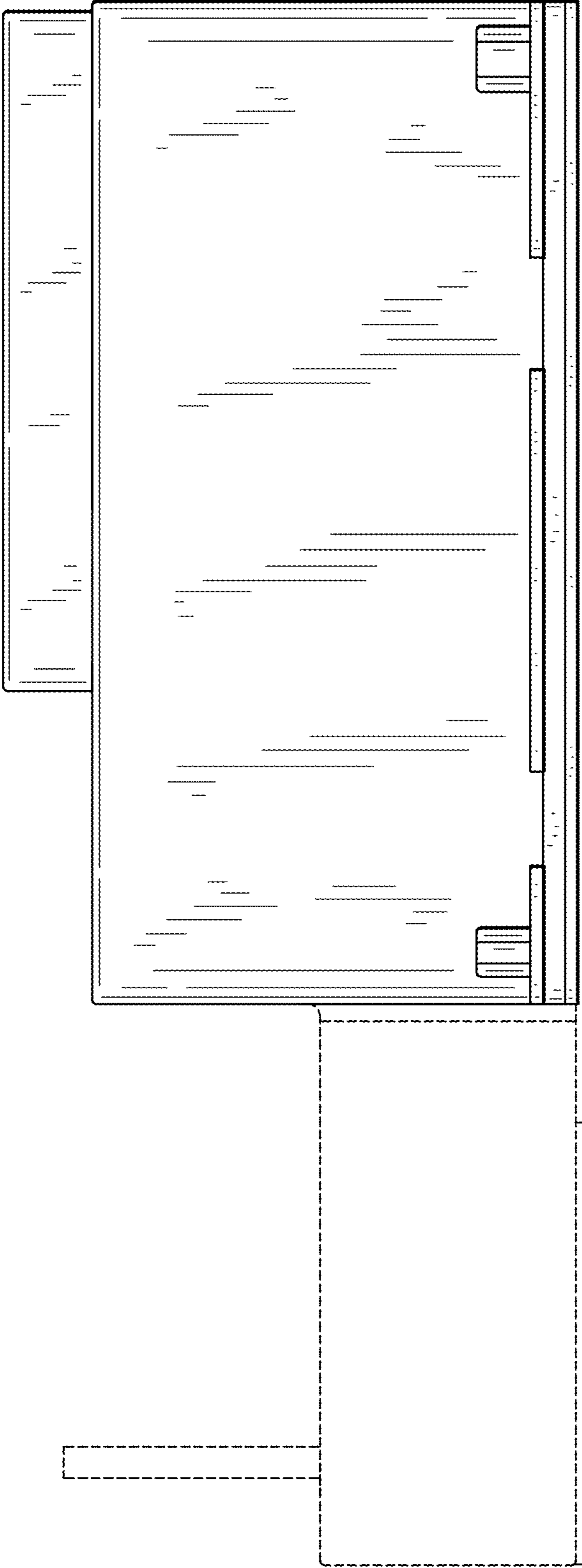


FIG. 5

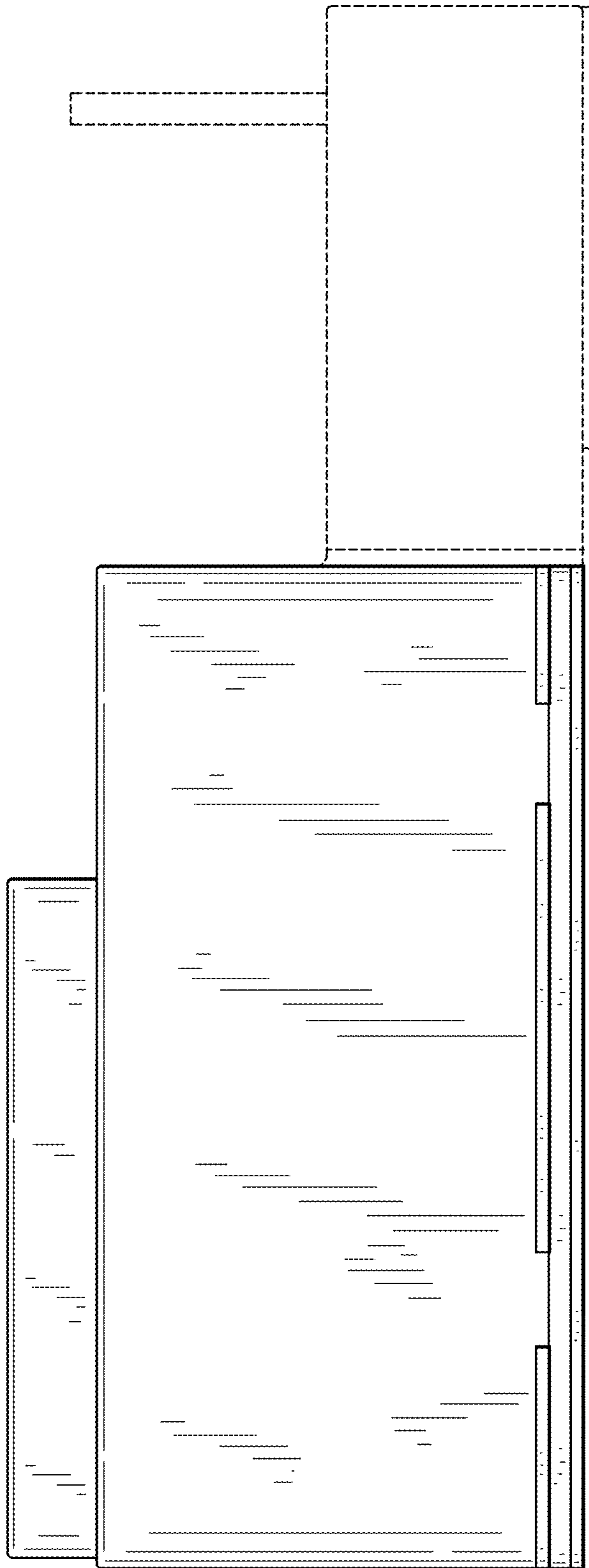


FIG. 6

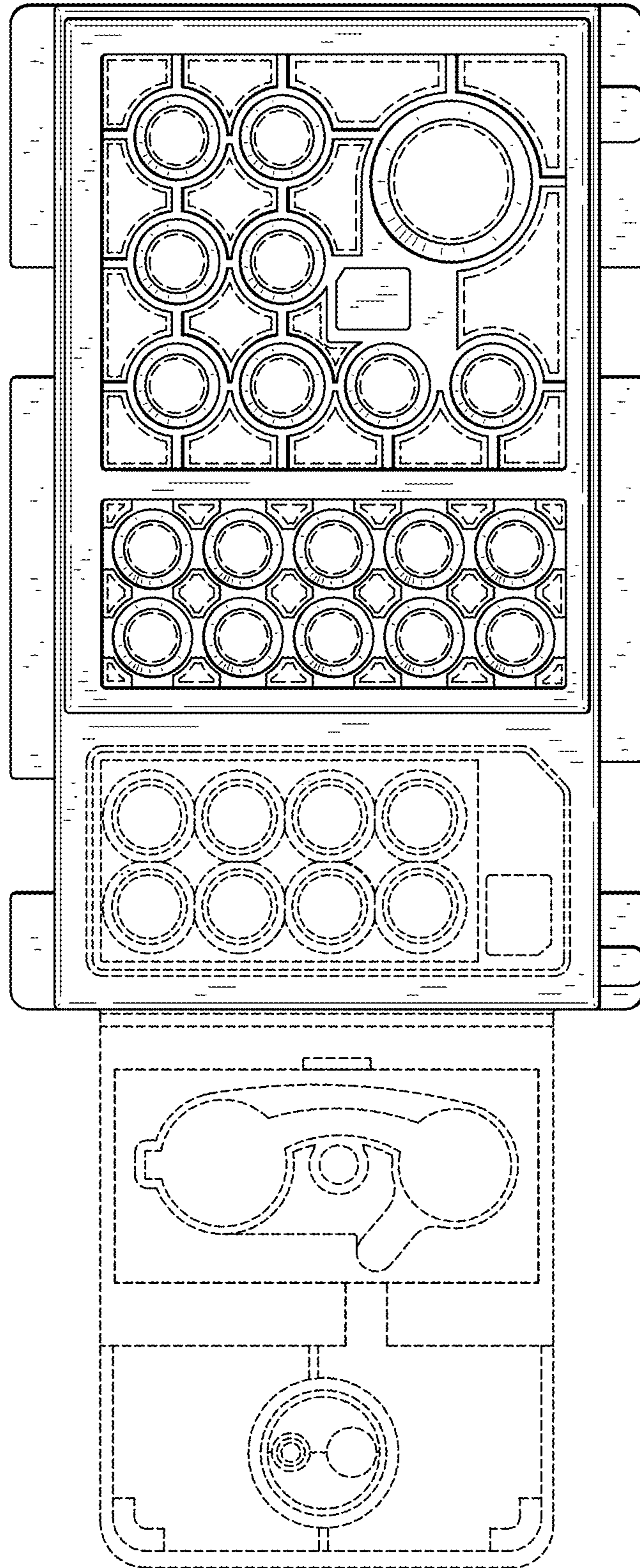


FIG. 7

