



US00D776296S

(12) **United States Design Patent**  
**Wainwright et al.**

(10) **Patent No.:** **US D776,296 S**

(45) **Date of Patent:** **\*\* Jan. 10, 2017**

(54) **ADAPTER**

(71) Applicants: **Charles River Laboratories, Inc.**,  
Wilmington, MA (US); **ReaMetrix Inc.**,  
San Carlos, CA (US)

(72) Inventors: **Norman R. Wainwright**, Johns Island,  
SC (US); **Dana M. Nutter**, Charleston,  
SC (US); **Eric Stimpson**, Charleston,  
SC (US); **Al Fuchs**, Charleston, SC  
(US); **Thomas Preidel**, Uslar (DE);  
**Bala S. Manian**, Los Altos Hills, CA  
(US)

(73) Assignee: **Charles River Laboratories, Inc.**,  
Wilmington, MA (US)

(\*\*) Term: **14 Years**

(21) Appl. No.: **29/508,263**

(22) Filed: **Nov. 4, 2014**

(51) **LOC (10) Cl.** ..... **24-02**

(52) **U.S. Cl.**  
USPC ..... **D24/224**

(58) **Field of Classification Search**

USPC ..... D24/216, 223, 224, 225, 226, 227, 229,  
D24/230, 231, 232, 144, 109-110, 162,  
D24/13, 197; D3/203.1, 203.2; D10/81;  
220/259.2, 560.04, 326; 435/288.1-288.4,  
435/304.1-304.3, 305.1-305.3, 307,  
435/294.1, 287.4-287.5, 29-30; 422/500,  
422/549-559, 528, 501, 561, 436, 547;  
206/365; 215/224, 305, 306, 365, 230,  
215/204, 11.1, 220, 203, 222; D7/391,  
D7/510, 511; D9/443, 445-447, 435, 439,  
D9/454; D23/209, 365; D16/136,  
D16/219; D18/40; 395/544, 448; 210/232;  
353/85; 359/399, 511; D28/52, 82;  
250/239; 396/448, 544

CPC ..... G02B 23/2484; G02B 23/16; B65B 31/00;  
B01L 3/50825; B01L 3/5085; B01L  
3/0275; B01L 3/50255; B01L 3/502738;  
A61J 11/04; G01N 33/5304; G01N

35/1002; B01J 19/0093; G03B  
17/566; G03B 17/561; G03B 21/54; G03B  
11/041; G03B 21/18; B65D 50/061; B65D  
51/243; G21F 5/005; H04N 1/2158

See application file for complete search history.

(56) **References Cited**

U.S. PATENT DOCUMENTS

3,165,450 A	1/1965	Scheidt	
3,679,085 A *	7/1972	Gach	B65D 50/041 215/220
D238,886 S	2/1976	Goy	
D246,698 S *	12/1977	Morris	D9/439
D248,916 S	8/1978	Reynolds et al.	
D249,708 S	9/1978	Smith et al.	
D258,761 S	3/1981	Graham	
4,341,436 A *	7/1982	Kanno	G02B 23/16 220/326
4,495,289 A	1/1985	Lyman et al.	
4,516,358 A	5/1985	Marton et al.	
D286,027 S *	10/1986	Waher	D9/447
4,635,806 A *	1/1987	Williamson	B65D 50/041 215/220
4,668,633 A	5/1987	Walton	
D294,520 S	3/1988	Holewinski et al.	
D295,319 S	4/1988	Franchere et al.	

(Continued)

OTHER PUBLICATIONS

U.S. Appl. No. 29/508,253, filed Nov. 4, 2014, by Wainwright et al.  
(Continued)

*Primary Examiner* — T. Chase Nelson

*Assistant Examiner* — Mark Cavanna

(74) *Attorney, Agent, or Firm* — Goodwin Procter LLP

(57) **CLAIM**

The ornamental design for an adapter, as shown and described.

**DESCRIPTION**

FIG. 1 is a top perspective view of an adapter;

FIG. 2 is a front view of the adapter;

(Continued)

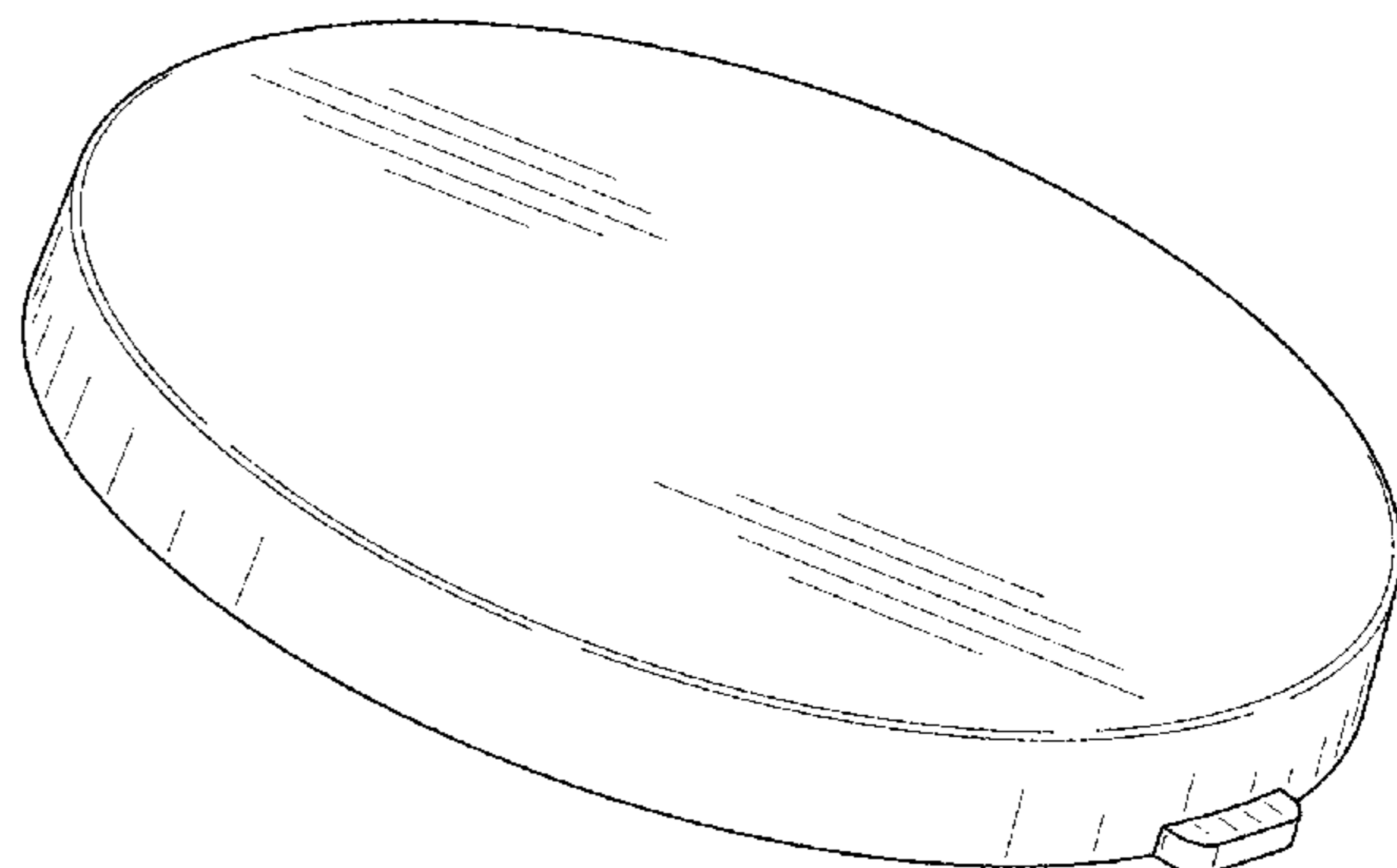
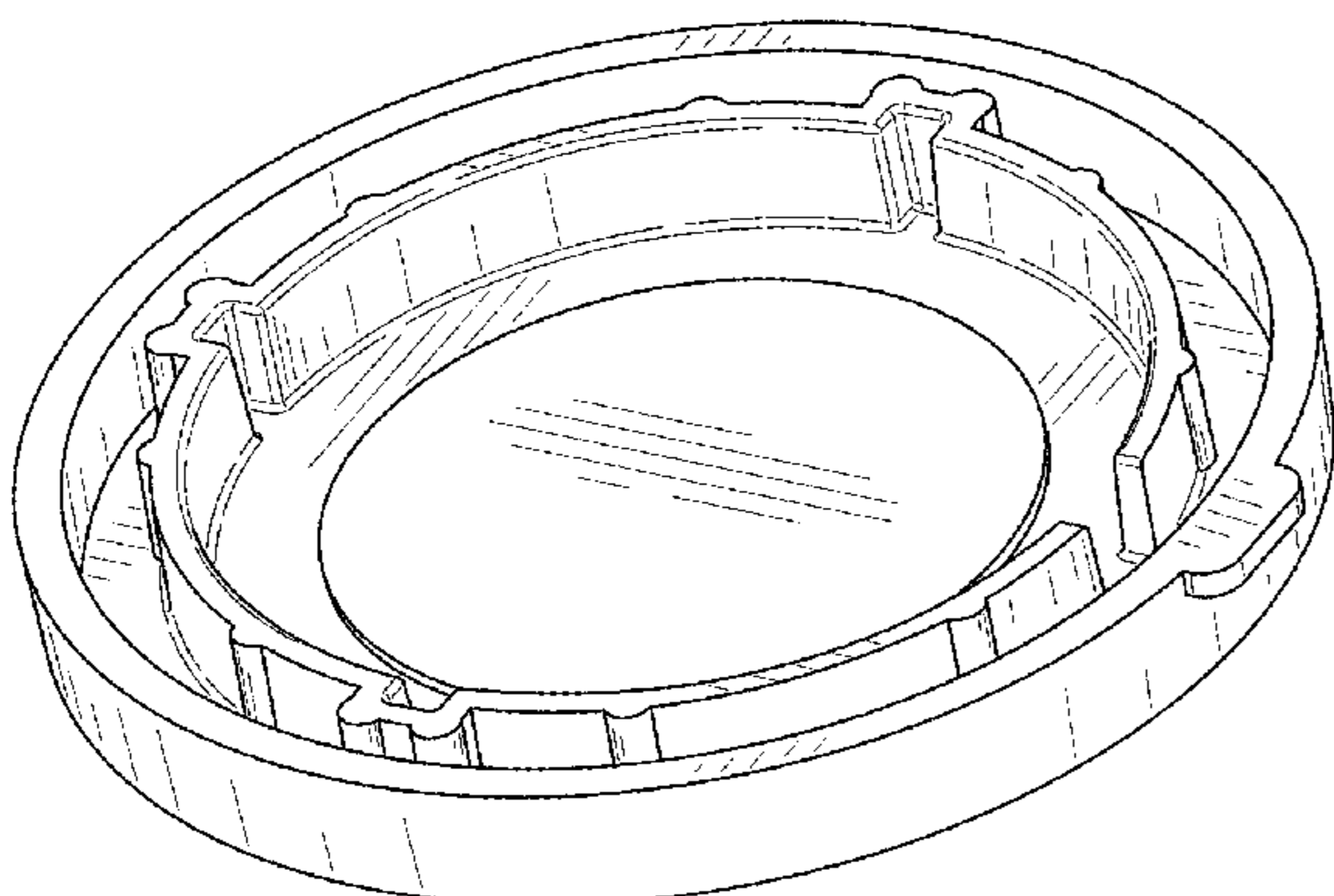


FIG. 3 is a right side view of the adapter;  
 FIG. 4 is a top view of the adapter;  
 FIG. 5 is a bottom view of the adapter; and,  
 FIG. 6 is a bottom perspective view of the adapter.

**1 Claim, 3 Drawing Sheets**

(56)

**References Cited**

U.S. PATENT DOCUMENTS

D297,366 S 8/1988 Hsei  
 D297,860 S \* 9/1988 Leoncavallo ..... D24/162  
 4,814,806 A \* 3/1989 Flax ..... G03B 17/561  
 359/511  
 D310,123 S 8/1990 Carlson  
 4,995,520 A \* 2/1991 Santagiuliana ..... B65D 50/041  
 215/220  
 D315,208 S 3/1991 Valencia  
 5,021,351 A 6/1991 Ervin  
 D318,078 S 7/1991 Laib et al.  
 5,082,130 A \* 1/1992 Weinstein ..... B65D 50/045  
 215/203  
 5,114,057 A 5/1992 Ishikawa  
 D335,677 S 5/1993 Davis et al.  
 5,308,483 A \* 5/1994 Sklar ..... B01D 29/05  
 210/232  
 D348,513 S \* 7/1994 Bale ..... D24/197  
 5,366,893 A 11/1994 Stevens et al.  
 D359,125 S 6/1995 Livingston  
 D360,029 S \* 7/1995 Yoshikawa ..... D23/365  
 5,449,078 A \* 9/1995 Akers ..... B65D 41/06  
 215/222  
 D378,571 S 3/1997 Bastow  
 D403,582 S \* 1/1999 Nask ..... D9/435  
 D404,497 S 1/1999 Lahm et al.  
 D407,491 S 3/1999 Rocha  
 D411,308 S 6/1999 Pandey et al.  
 5,938,055 A \* 8/1999 Philips ..... B65D 41/06  
 215/230  
 D422,627 S \* 4/2000 Drinkwater ..... D18/40  
 D424,076 S 5/2000 Dibbern et al.  
 D430,304 S 8/2000 Oonuma et al.  
 D435,906 S 1/2001 Wilkinson et al.  
 D442,338 S \* 5/2001 Roman ..... D28/82  
 6,358,730 B1 3/2002 Kane  
 D465,282 S 11/2002 Cecchi  
 D467,485 S 12/2002 Daniels et al.  
 D476,857 S 7/2003 Holsinger  
 D486,224 S \* 2/2004 Gay, III ..... D24/129  
 D486,225 S \* 2/2004 Gay, III ..... D24/109  
 6,730,510 B2 5/2004 Roos et al.  
 D499,035 S 11/2004 Cook et al.  
 D509,121 S 9/2005 Hede  
 D526,564 S \* 8/2006 Slavin ..... D9/454  
 D542,931 S 5/2007 Pukall et al.  
 D546,626 S 7/2007 Chou  
 D563,560 S 3/2008 Copeland  
 7,393,694 B1 7/2008 Schlein et al.  
 D583,238 S 12/2008 Chen  
 D604,831 S \* 11/2009 Lulla ..... D24/110  
 D612,688 S 3/2010 Bardolet  
 D618,819 S 6/2010 Wilkinson et al.  
 D620,310 S 7/2010 Lundberg  
 D623,764 S 9/2010 Py et al.  
 D630,338 S 1/2011 Lafond  
 D636,265 S \* 4/2011 Gartner ..... D9/446  
 D637,733 S 5/2011 Wei  
 7,977,090 B2 7/2011 Hicks

D648,762 S 11/2011 Mack  
 D649,075 S 11/2011 Chan et al.  
 8,163,540 B2 4/2012 Acosta  
 D659,004 S \* 5/2012 McCoy ..... D28/82  
 D660,700 S \* 5/2012 MacNeill ..... D9/445  
 8,168,443 B2 5/2012 Yu et al.  
 D668,153 S \* 10/2012 Mavin ..... D9/443  
 D674,505 S 1/2013 Cecchi  
 D678,516 S 3/2013 Wong  
 D687,561 S 8/2013 Iseki  
 D693,467 S 11/2013 Doucette et al.  
 D693,939 S 11/2013 Iseki  
 D695,416 S 12/2013 Saliaris  
 D698,939 S 2/2014 Wainwright et al.  
 D698,940 S 2/2014 Pribenszky  
 D699,848 S \* 2/2014 Leroy ..... D24/144  
 D701,426 S 3/2014 Cornish  
 D703,343 S 4/2014 Biswas et al.  
 8,689,987 B2 \* 4/2014 Lewis ..... A61J 11/04  
 141/322  
 D704,854 S 5/2014 Wainwright et al.  
 D705,438 S 5/2014 Wainwright et al.  
 D705,439 S 5/2014 Wainwright et al.  
 D710,696 S \* 8/2014 Kwon ..... D9/447  
 D717,352 S 11/2014 Manian  
 D717,460 S 11/2014 Manian  
 D717,462 S 11/2014 Wainwright et al.  
 D717,463 S 11/2014 Wainwright et al.  
 D717,464 S 11/2014 Wainwright et al.  
 D719,666 S 12/2014 Manian  
 D719,667 S 12/2014 Manian  
 D724,755 S 3/2015 Wainwright et al.  
 D726,929 S 4/2015 Wainwright et al.  
 D728,816 S 5/2015 Wainwright et al.  
 D740,345 S \* 10/2015 Fujita ..... D16/219  
 D751,393 S \* 3/2016 Lynd ..... D9/439  
 2004/0146965 A1 7/2004 Brayton  
 2004/0196442 A1 \* 10/2004 D'Alessio ..... G03B 21/145  
 353/85  
 2005/0151933 A1 \* 7/2005 Tsai ..... G03B 21/18  
 353/85  
 2006/0172412 A1 8/2006 Perrier et al.  
 2006/0240549 A1 10/2006 Minton  
 2007/0110617 A1 5/2007 Nagai et al.  
 2008/0026419 A1 1/2008 Bottlang et al.  
 2008/0094708 A1 \* 4/2008 Huang ..... G03B 21/54  
 359/511  
 2009/0057544 A1 \* 3/2009 Brodie ..... H04N 5/2257  
 250/239  
 2009/0091827 A1 \* 4/2009 Gauger ..... G03B 11/041  
 359/511  
 2011/0097790 A1 4/2011 Yerbic  
 2012/0058553 A1 3/2012 Haywood et al.  
 2012/0281977 A1 \* 11/2012 Stevenson ..... G03B 17/566  
 396/544  
 2013/0044252 A1 \* 2/2013 Sale ..... G03B 17/566  
 396/448  
 2013/0093144 A1 4/2013 Bordeianu et al.  
 2013/0323745 A1 12/2013 Wainwright et al.  
 2014/0123597 A1 5/2014 Mallett  
 2016/0116731 A1 \* 4/2016 Peters ..... G02B 23/2484  
 359/399

OTHER PUBLICATIONS

U.S. Appl. No. 29/508,242, filed Nov. 4, 2014, by Wainwright et al.  
 U.S. Appl. No. 29/509,191, filed Nov. 14, 2014, by Wainwright et al.  
 U.S. Appl. No. 29/508,248, filed Nov. 4, 2014, by Wainwright et al.  
 U.S. Appl. No. 29/508,264, filed Nov. 4, 2014, by Wainwright et al.

\* cited by examiner

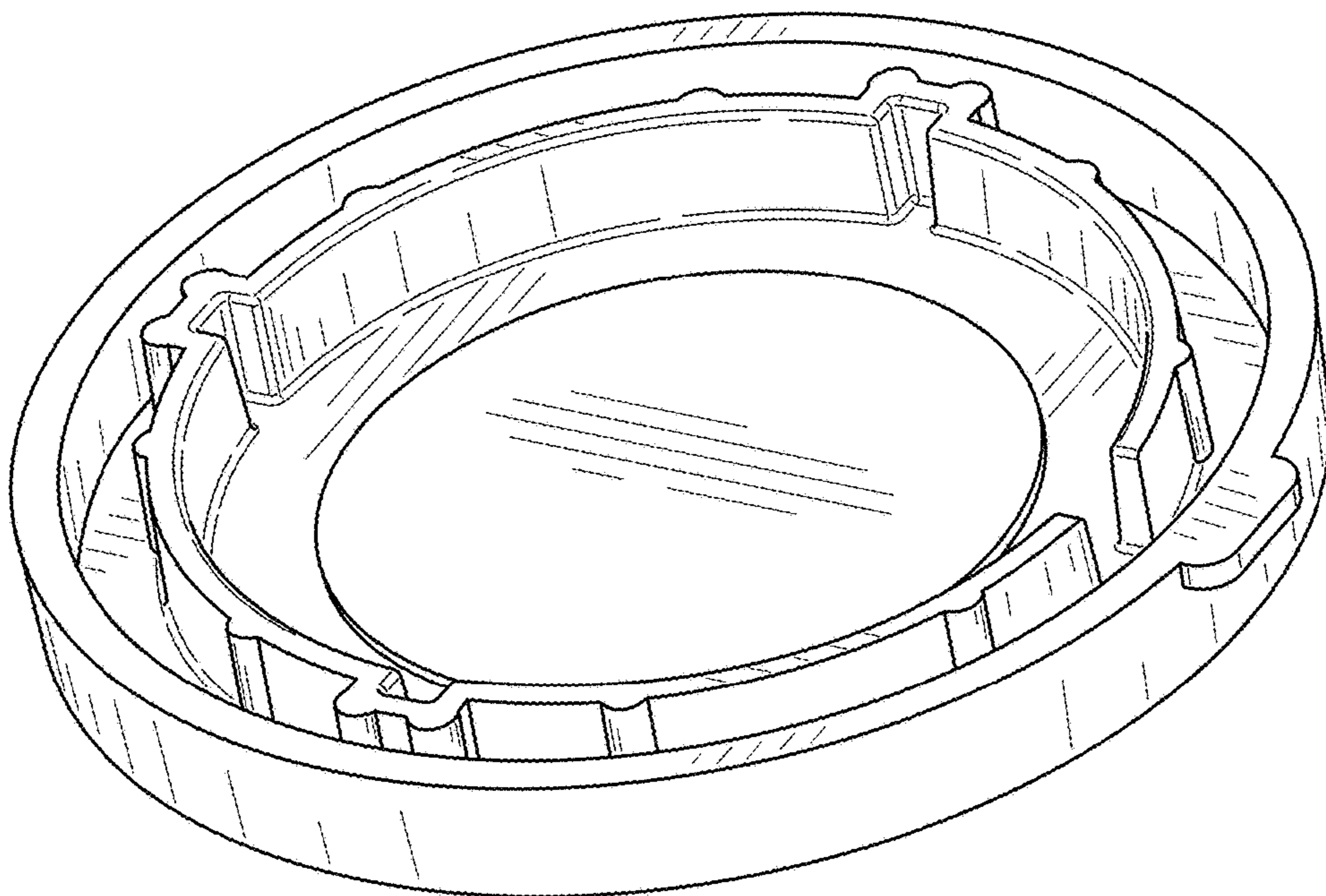


FIG. 1



FIG. 2

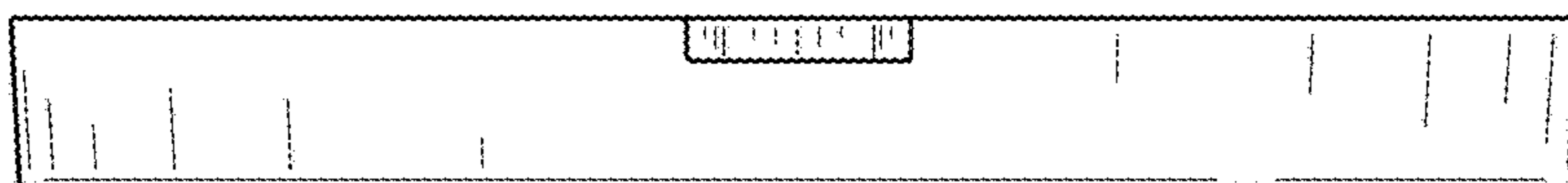
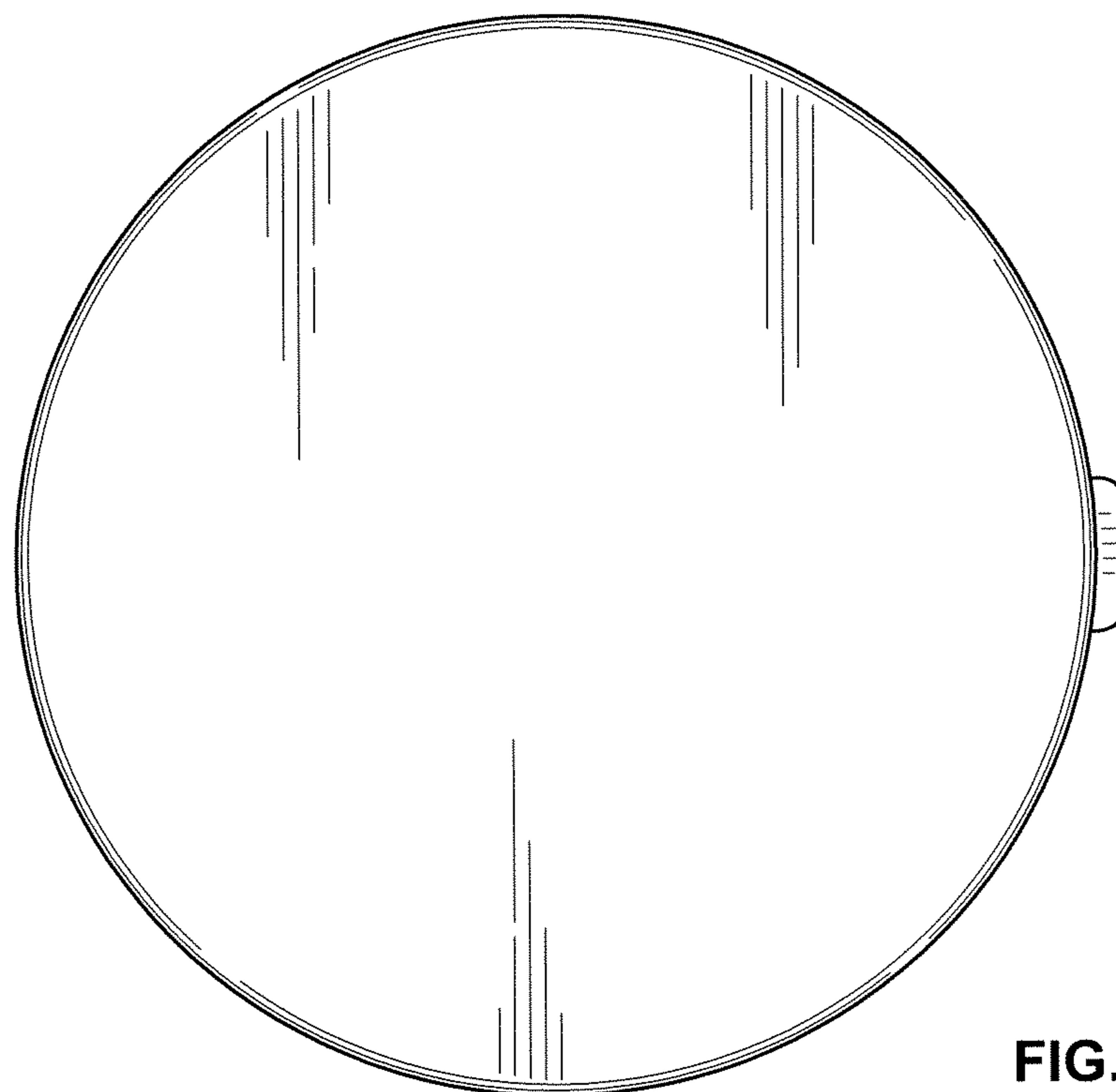
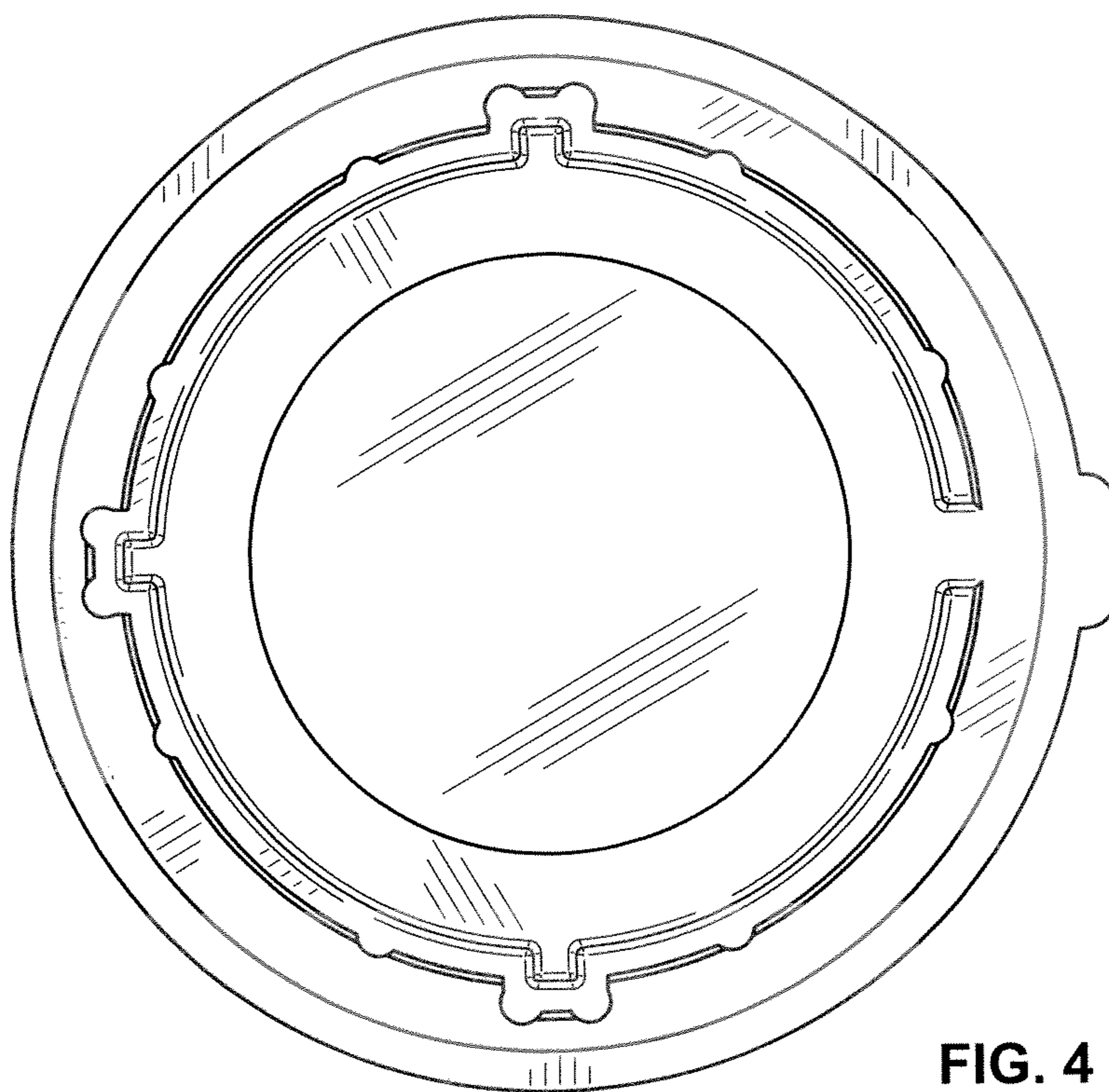


FIG. 3



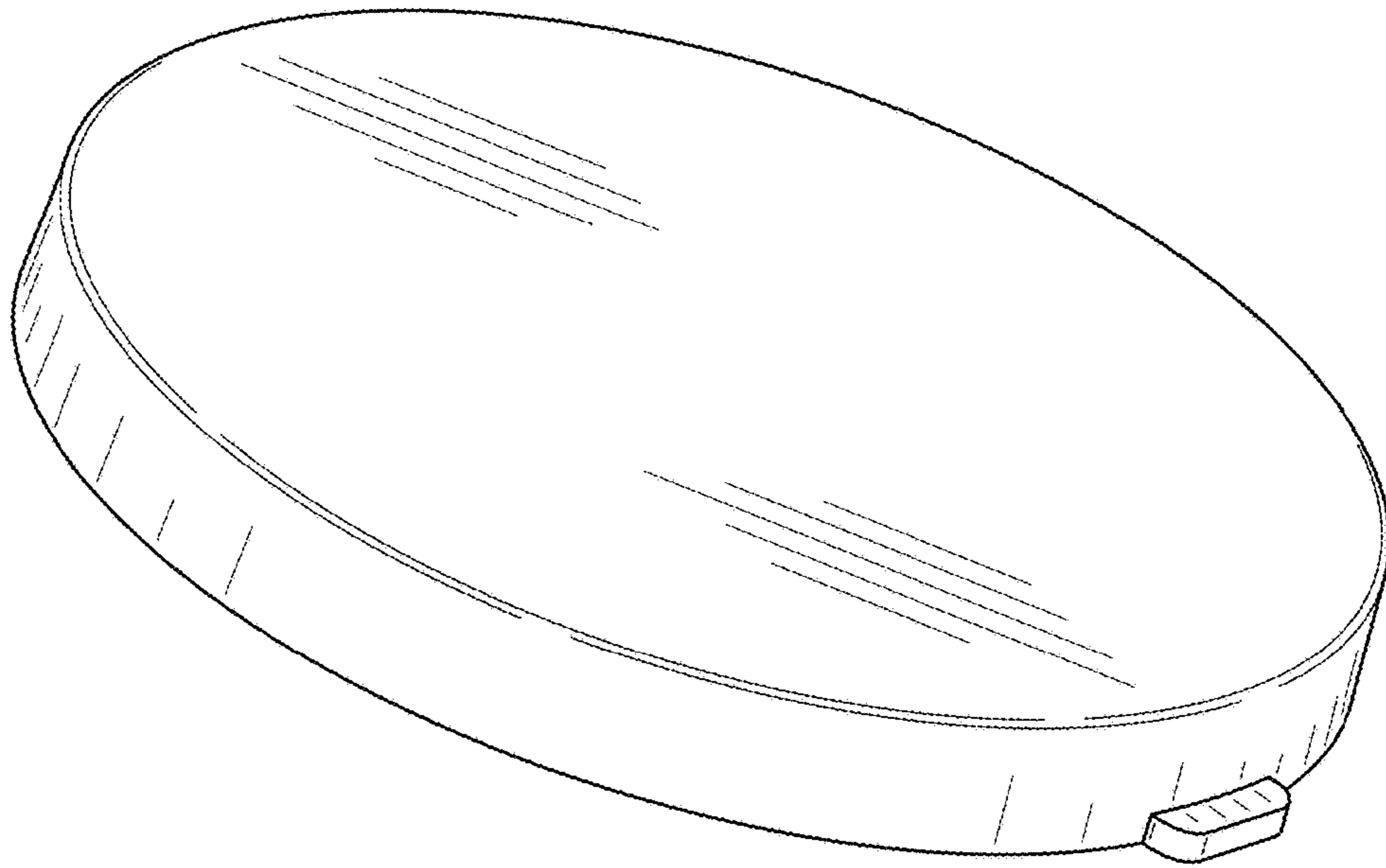


FIG. 6