



US00D776294S

(12) **United States Design Patent** (10) **Patent No.:** **US D776,294 S**
Sharpe et al. (45) **Date of Patent:** **** Jan. 10, 2017**

(54) **ONE-HANDED TABLET PULVERIZER** D534,279 S * 12/2006 Leyshon D24/220
D534,657 S * 1/2007 Leyshon D24/220
(71) Applicant: **Gary L. Sharpe**, Naples, FL (US) 7,416,143 B1 * 8/2008 Leyshon A61J 7/0007
100/233
(72) Inventors: **Gary Sharpe**, Naples, FL (US); **Doug Clouser**, Galloway, OH (US) D642,023 S * 7/2011 Reay D24/220
D665,918 S * 8/2012 Place D24/220
D669,190 S * 10/2012 Sharpe D24/220
D690,432 S * 9/2013 Sharpe D24/220
(73) Assignee: **Gary L. Sharpe**, Naples, FL (US) D699,588 S * 2/2014 Yang D9/703
D702,853 S * 4/2014 Priebe D24/220
(**) Term: **15 Years** D713,540 S * 9/2014 Petrie D24/220
D732,950 S * 6/2015 Young D9/418

(21) Appl. No.: **29/546,426**

(22) Filed: **Nov. 23, 2015**

(51) **LOC (10) Cl.** **24-00**

(52) **U.S. Cl.**
USPC **D24/220**

(58) **Field of Classification Search**
USPC D24/220, 231; D9/703, 418; D27/196;
D7/412, 387; 206/528; 100/233
CPC A61J 7/0007
See application file for complete search history.

* cited by examiner

Primary Examiner — Rhea Shields

(74) *Attorney, Agent, or Firm* — Standley Law Group
LLP; Jeffrey Standley; Matthew Schonauer

(57) **CLAIM**

The ornamental design for a one-handed tablet pulverizer, as shown and described.

(56) **References Cited**

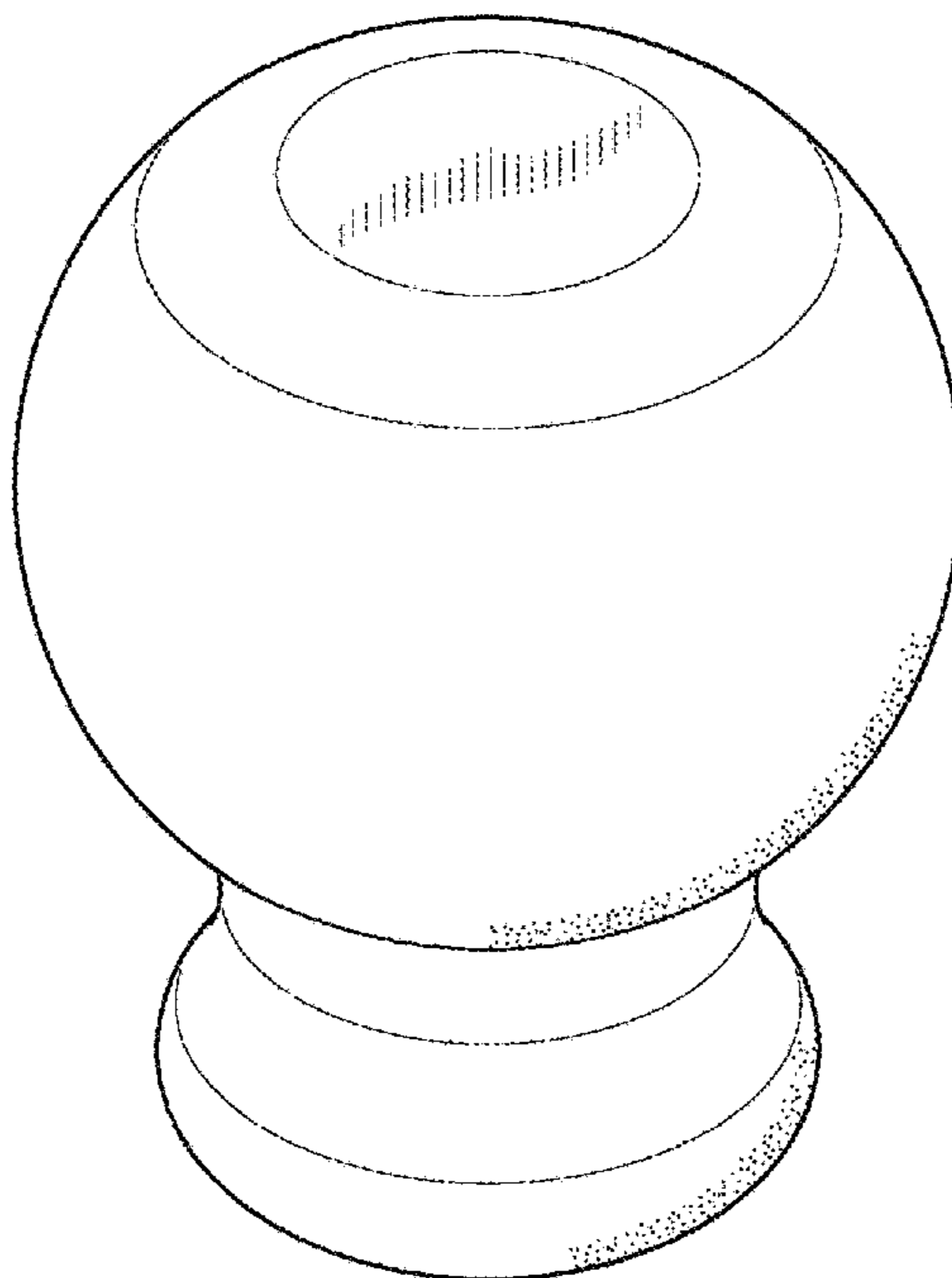
U.S. PATENT DOCUMENTS

D43,450 S * 1/1913 Robertshaw D27/196
D337,828 S * 7/1993 Gordon D24/220
D346,536 S * 5/1994 Thornley D7/412
D348,590 S * 7/1994 Scott D7/387
D406,019 S * 2/1999 La Gro D24/220
D433,148 S * 10/2000 Dennis D24/220
D453,044 S * 1/2002 Buckley D24/220
D468,023 S * 12/2002 Buckley D24/220
6,601,746 B2 * 8/2003 Buckley A61J 7/0007
206/528
D502,267 S * 2/2005 Leyshon D24/220

DESCRIPTION

FIG. 1 is a top perspective view of the one-handed tablet pulverizer;
FIG. 2 is a bottom perspective view thereof;
FIG. 3 is a top plan view thereof,
FIG. 4 is a bottom plan view thereof;
FIG. 5 is a front elevation view thereof;
FIG. 6 is a back elevation view thereof;
FIG. 7 is a left side elevation view thereof; and,
FIG. 8 is a right side elevation view thereof.

1 Claim, 4 Drawing Sheets



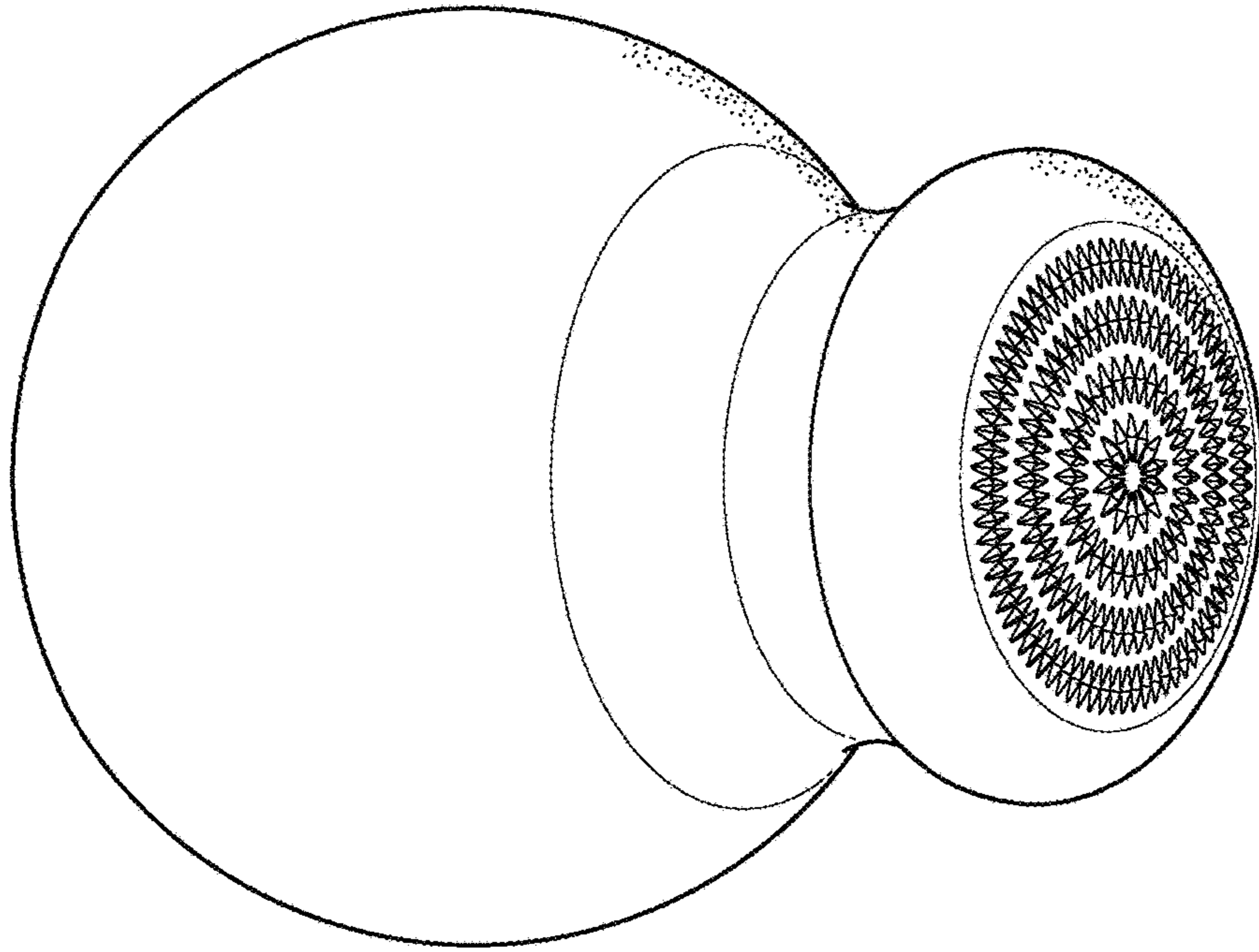


Fig. 2

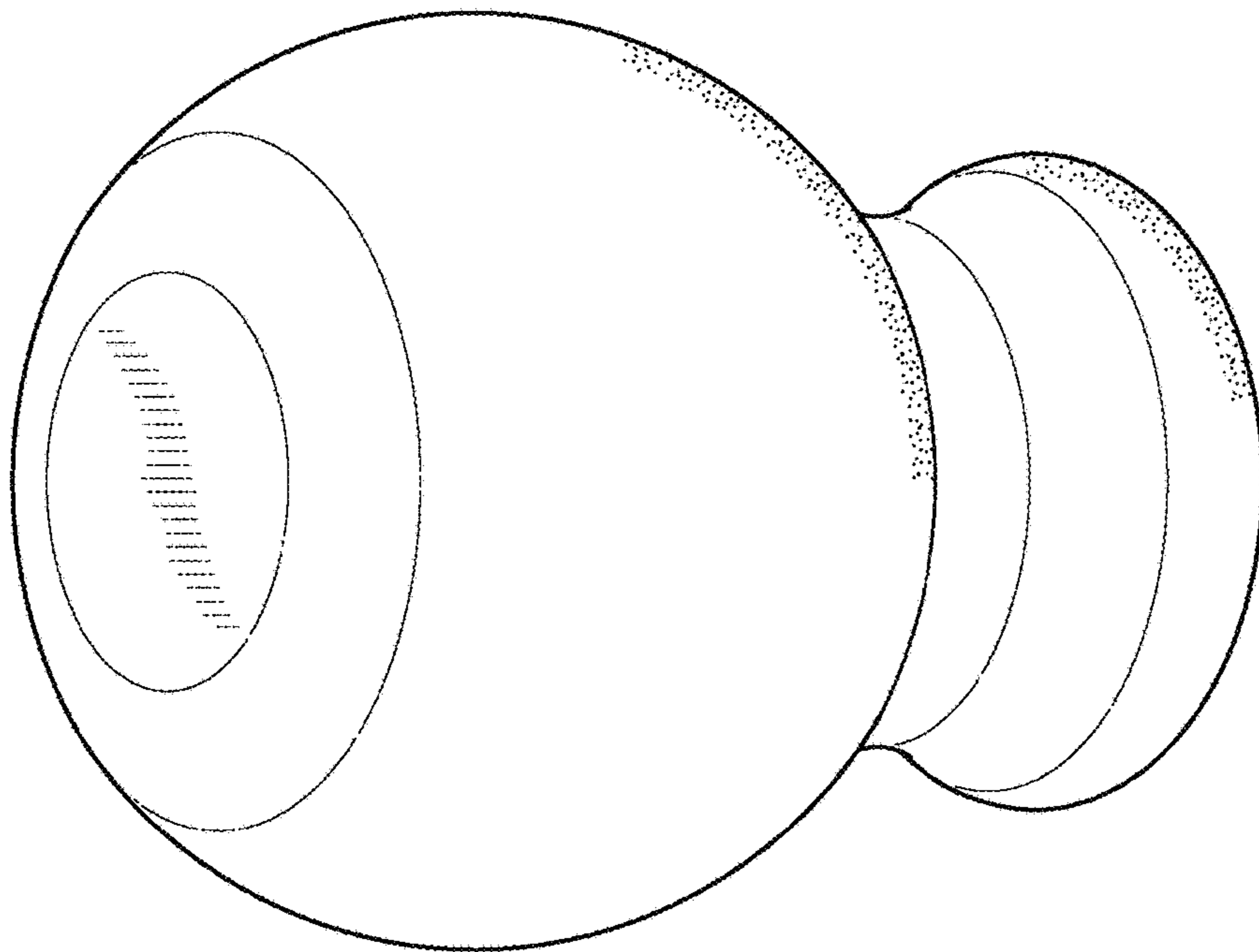


Fig. 1

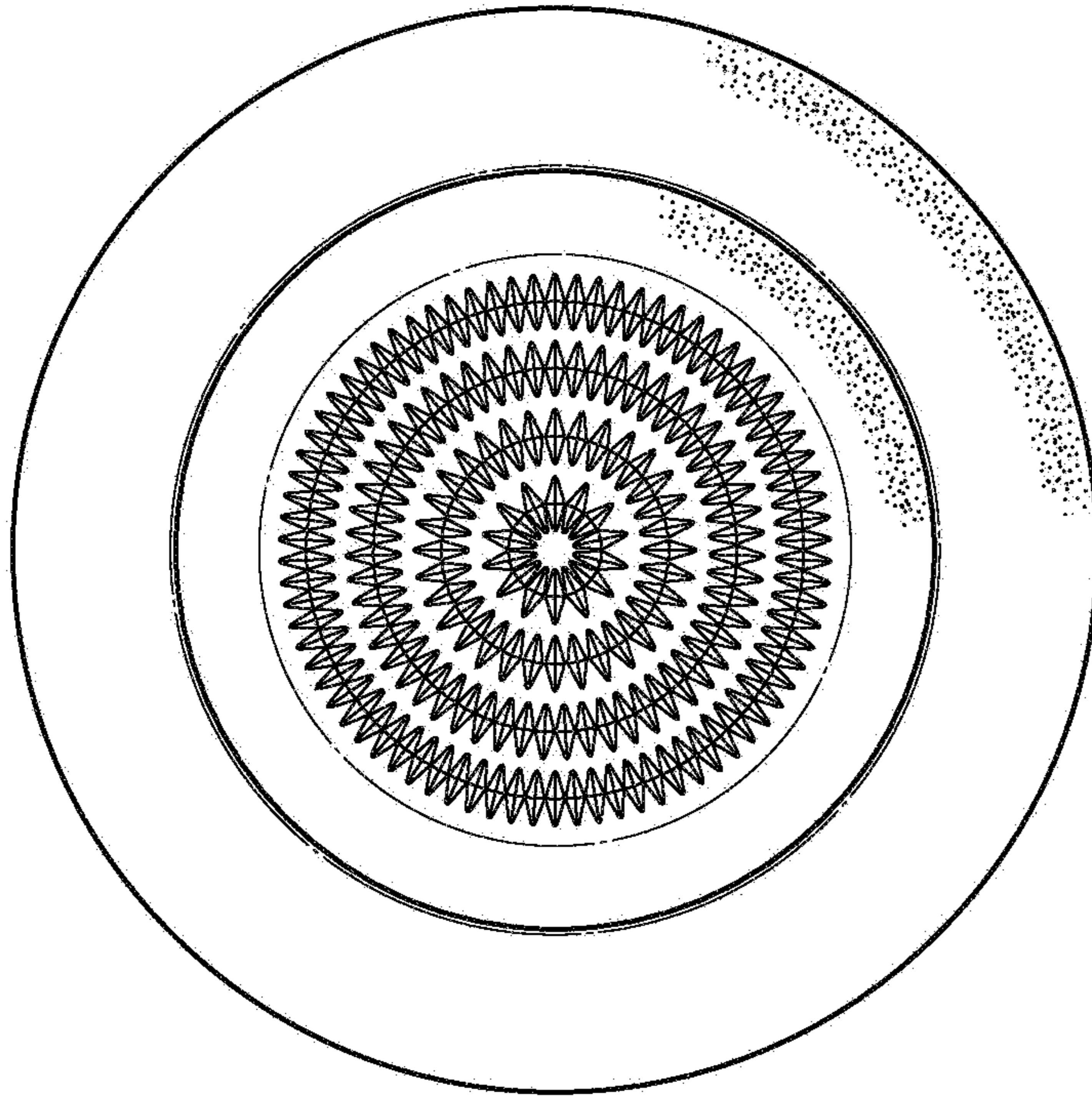


Fig. 4

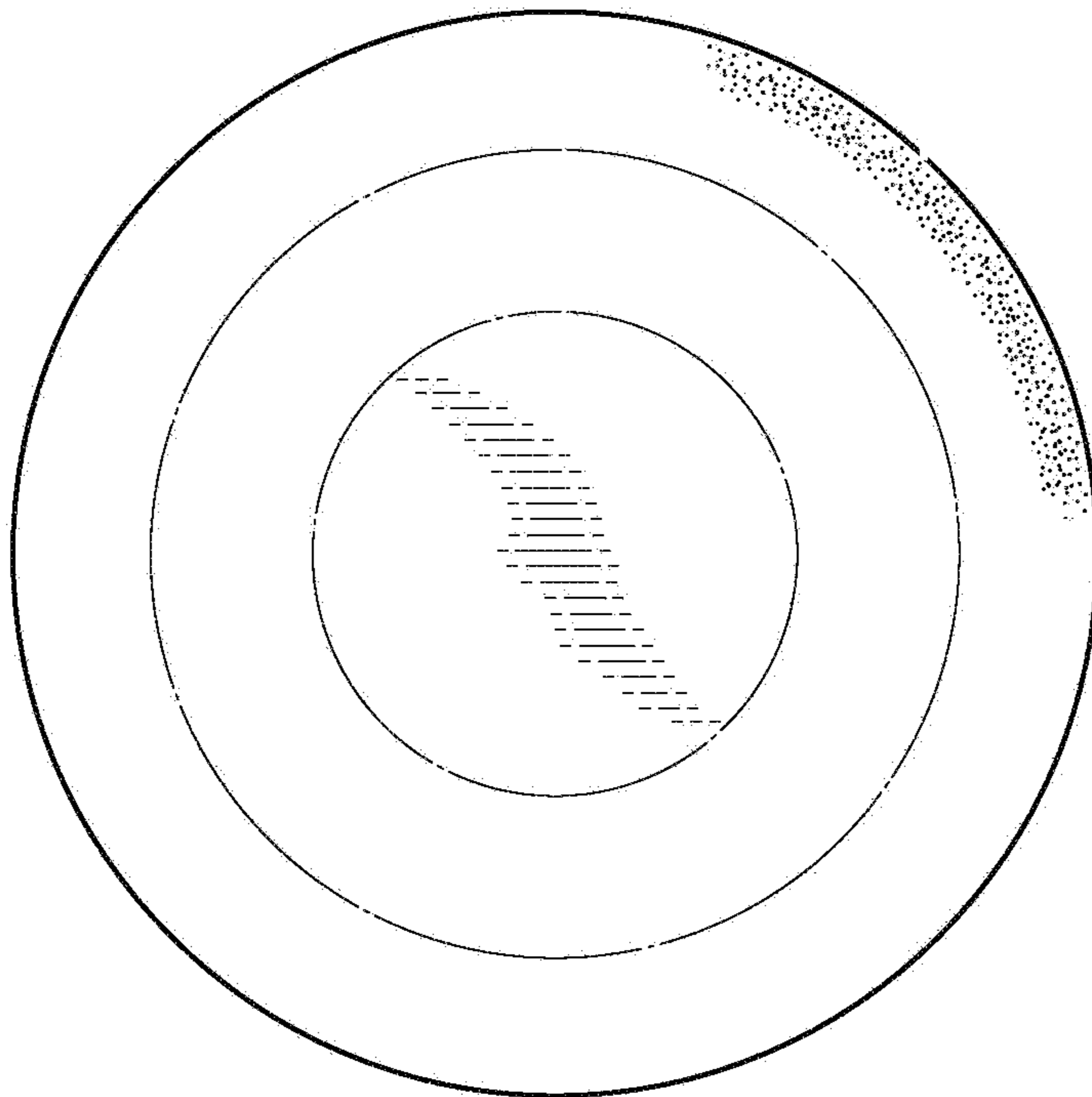


Fig. 3

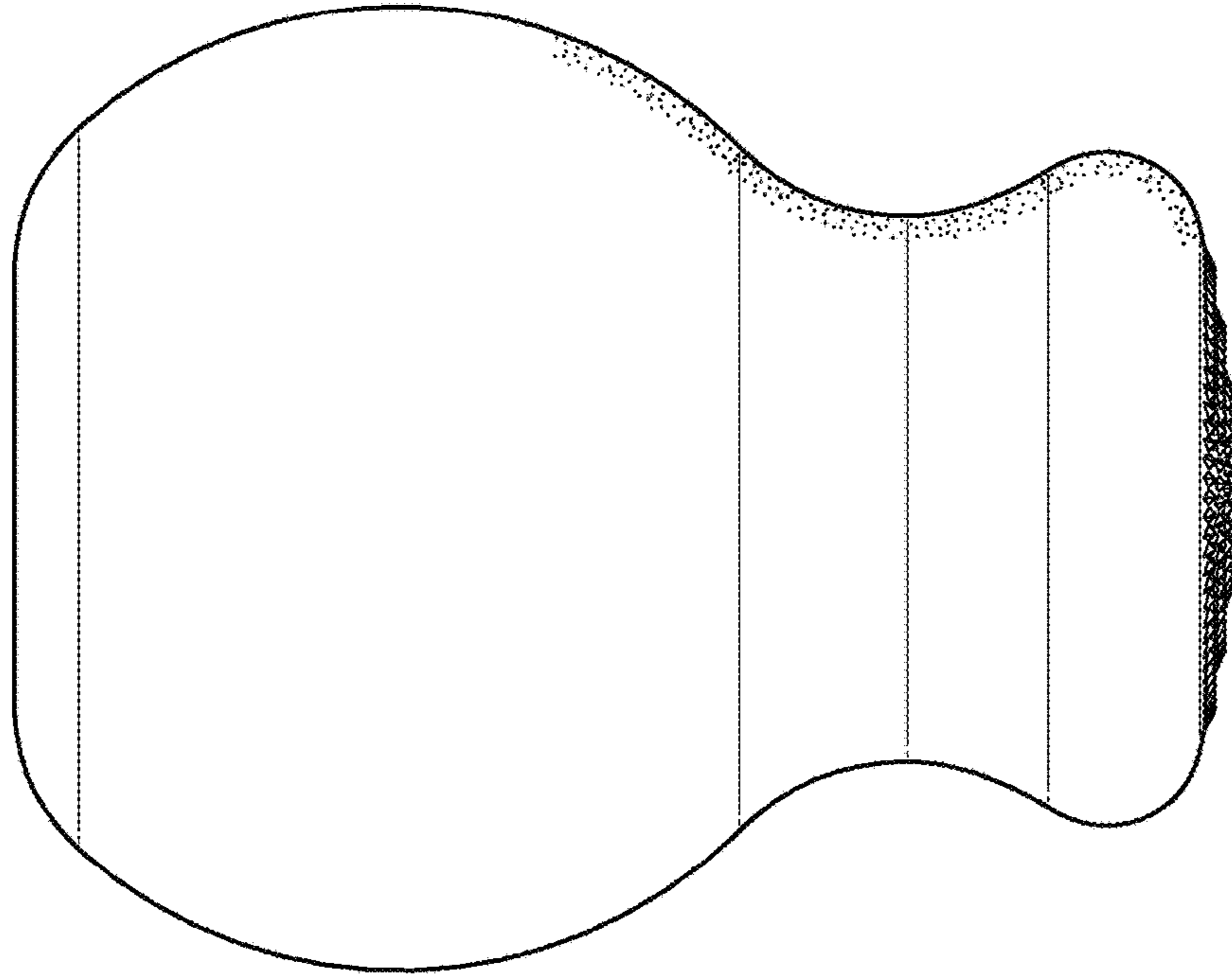


Fig. 6

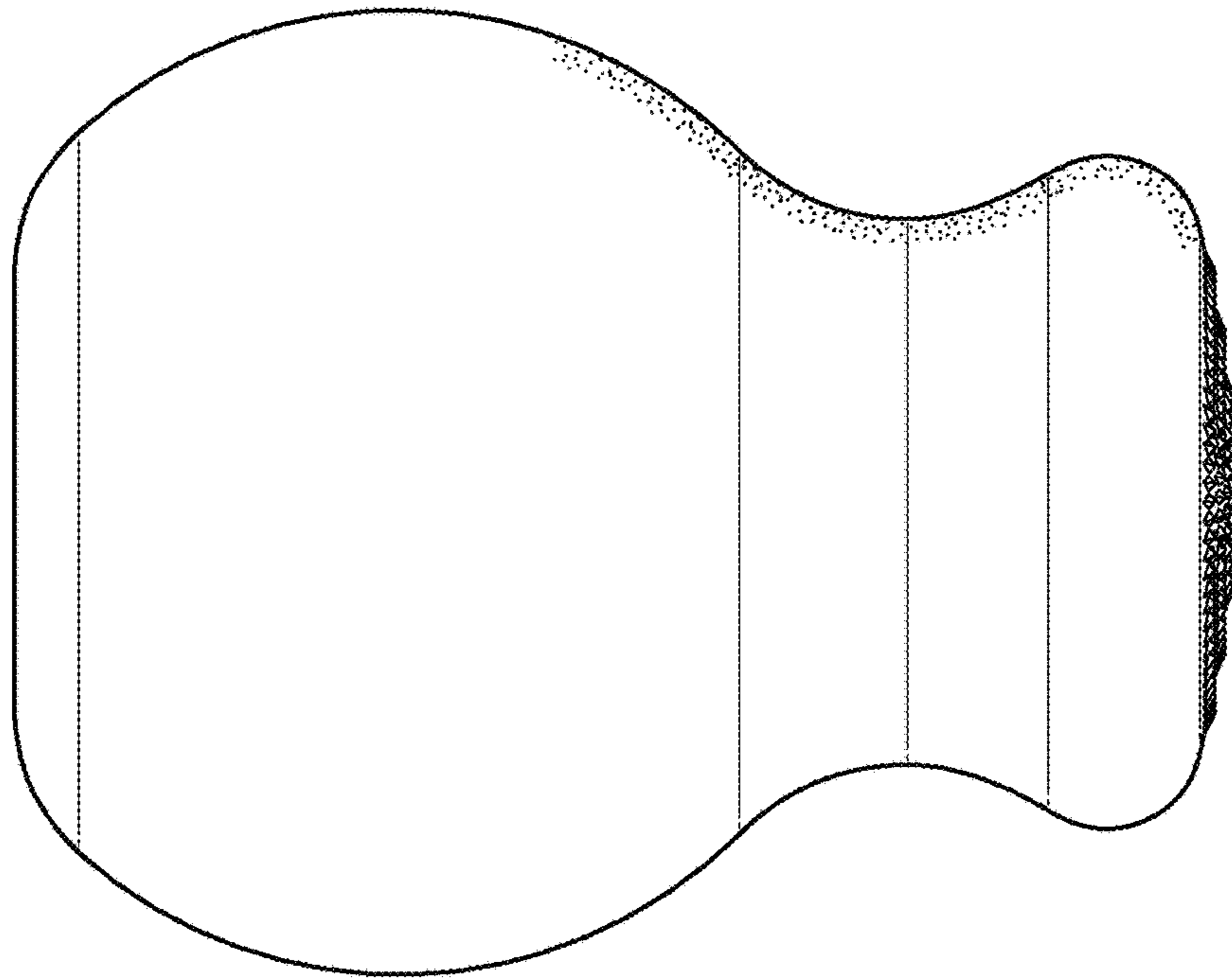


Fig. 5

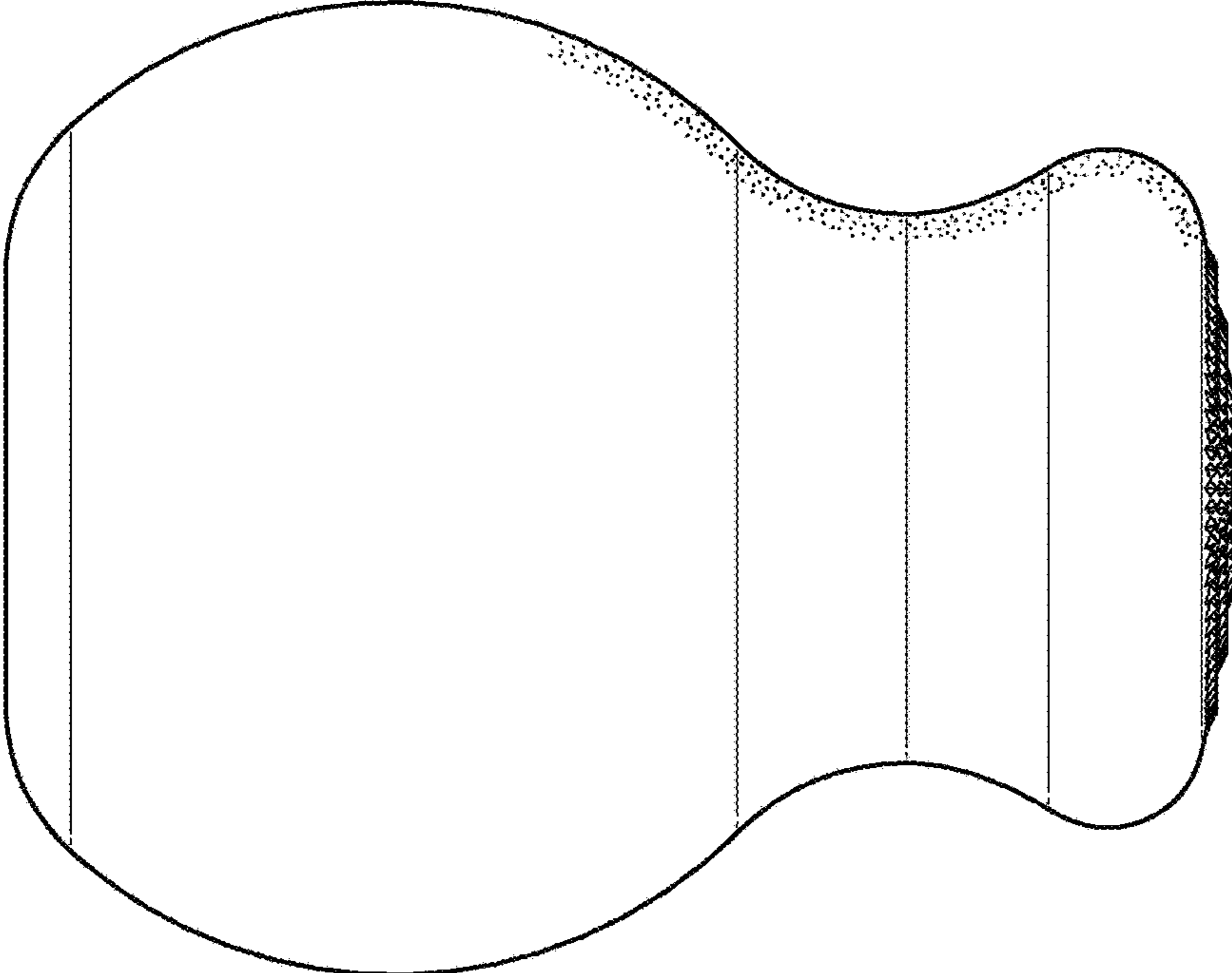


Fig. 8

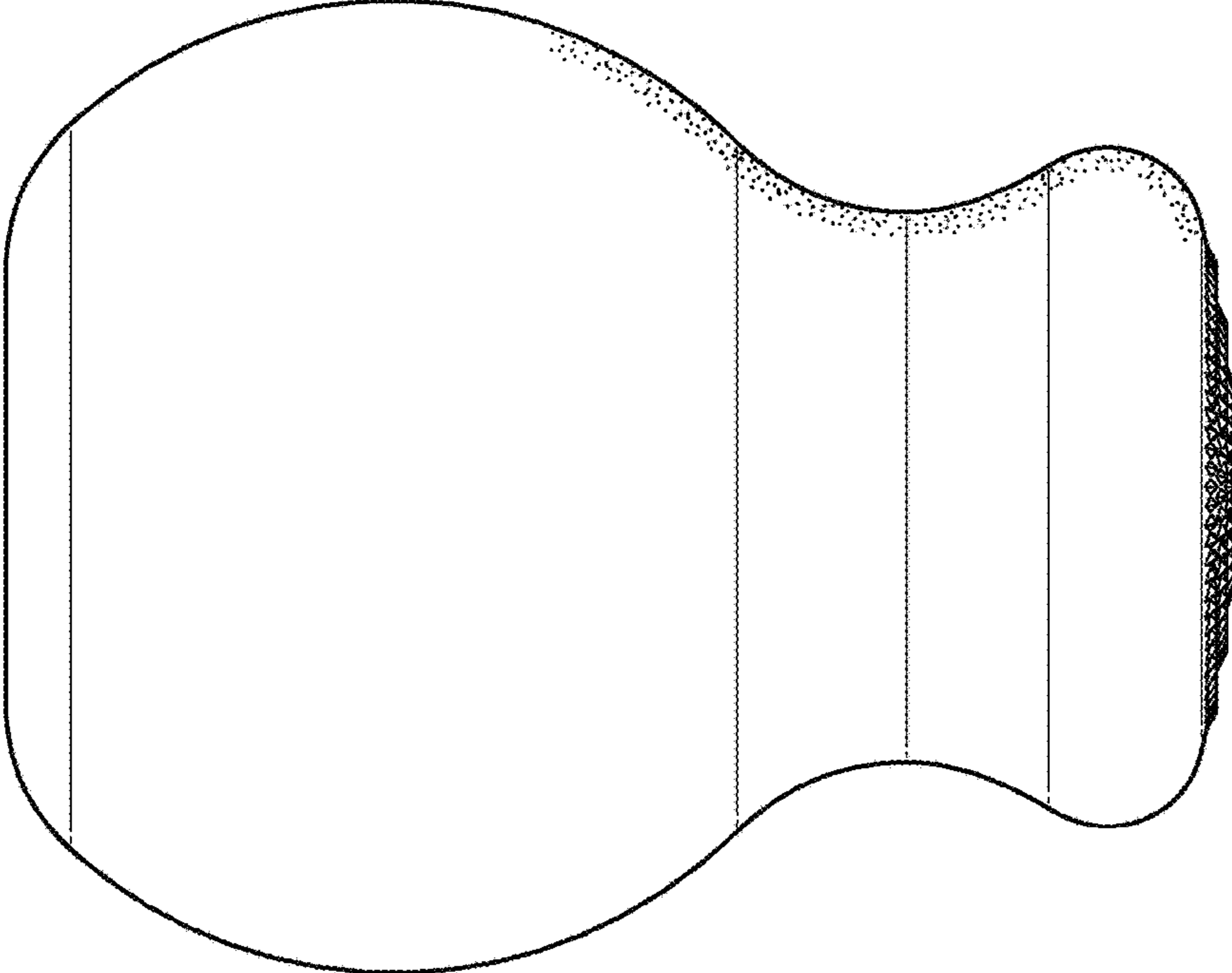


Fig. 7