



US00D776292S

(12) **United States Design Patent**  
**Wan et al.**

(10) **Patent No.:** **US D776,292 S**  
(45) **Date of Patent:** **\*\* Jan. 10, 2017**

(54) **FECES SAMPLING AND DETECTING DEVICE**

(71) Applicant: **W.H.P.M. BIORESEARCH AND TECHNOLOGY CO., LTD.**, Beijing (CN)

(72) Inventors: **John Wan**, Beijing (CN); **Qinghai Xia**, Beijing (CN); **Panpan Hou**, Beijing (CN); **Jie Liu**, Beijing (CN)

(73) Assignee: **W.H.P.M. BIORESEARCH AND TECHNOLOGY**, Beijing (CN)

(\*\*) Term: **15 Years**

(21) Appl. No.: **29/546,744**

(22) Filed: **Nov. 25, 2015**

(30) **Foreign Application Priority Data**

May 28, 2015 (CN) ..... 2015 3 0167110

(51) **LOC (10) Cl.** ..... **24-01**

(52) **U.S. Cl.**  
USPC ..... **D24/216**

(58) **Field of Classification Search**  
USPC ..... D24/216, 223, 224, 231, 232, 233, 169, D24/186, 119, 121; D10/81  
(Continued)

(56) **References Cited**

**U.S. PATENT DOCUMENTS**

D561,344 S \* 2/2008 Kozak ..... D24/216  
D580,070 S \* 11/2008 Riley ..... D24/216  
(Continued)

*Primary Examiner* — Anhdao Doan

(74) *Attorney, Agent, or Firm* — Scully Scott Murphy & Presser

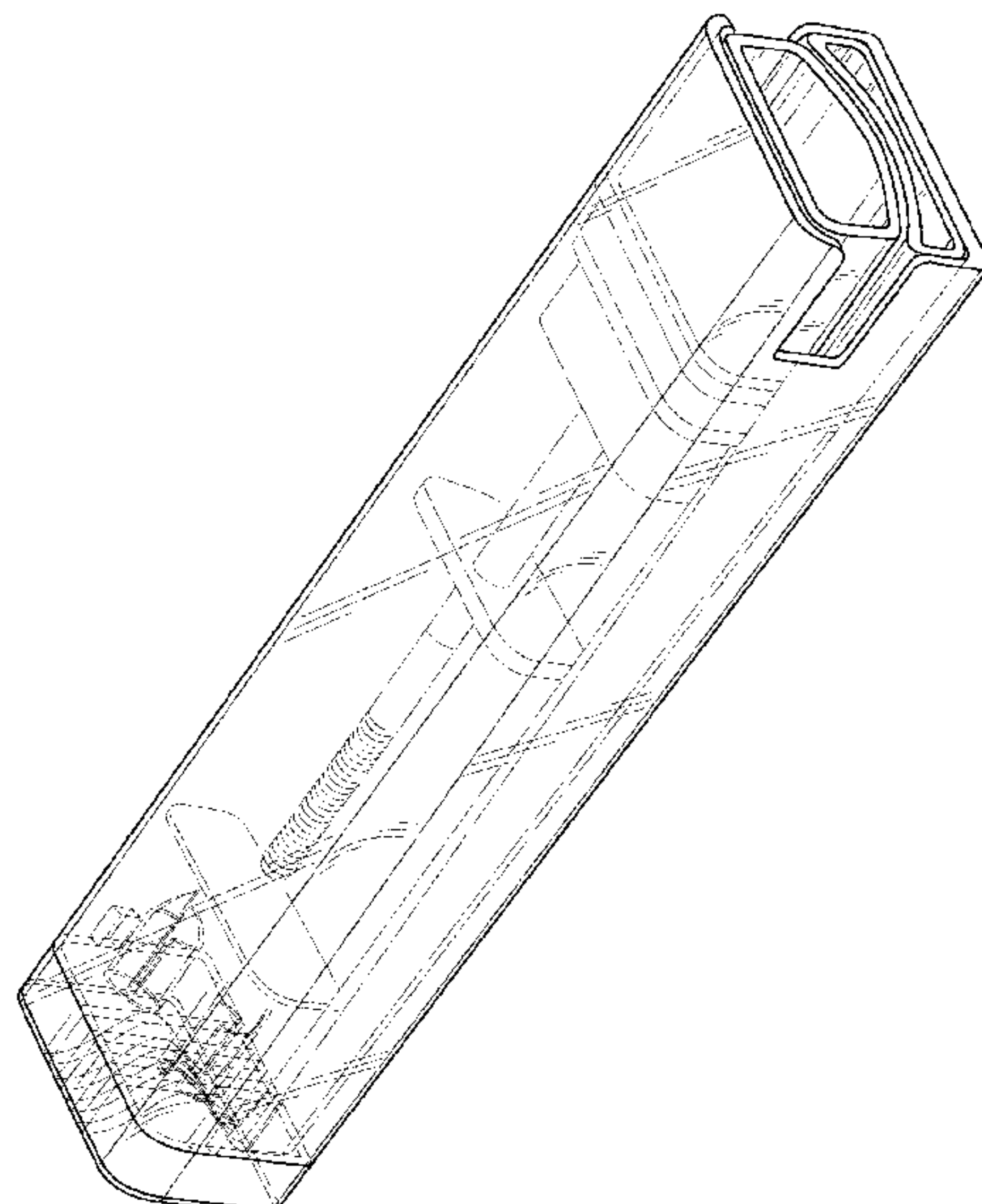
(57) **CLAIM**

The ornamental design for a feces sampling and detecting device, as shown and described.

**DESCRIPTION**

FIG. 1 is a perspective view of a feces sampling and detecting device, showing our new design;  
FIG. 2 is an alternative perspective view of FIG. 1;  
FIG. 3 is a perspective view of a first component of the feces sampling and detecting device shown in FIG. 1;  
FIG. 4 is an alternative perspective view of the first component;  
FIG. 5 is a front elevation view of FIG. 4;  
FIG. 6 is a rear elevation view of FIG. 4;  
FIG. 7 is a side elevation view of FIG. 4;  
FIG. 8 is an opposite side elevation view of FIG. 4;  
FIG. 9 is a top plan view of FIG. 4;  
FIG. 10 is a bottom plan view of FIG. 4;  
FIG. 11 is a sectional perspective view along lines 11-11 of FIG. 5;  
FIG. 12 is a sectional perspective view along lines 12-12 of FIG. 5;  
FIG. 13 is a perspective view of a second component of the feces sampling and detecting device shown in FIG. 1;  
FIG. 14 is a front elevation view of FIG. 13;  
FIG. 15 is a rear elevation view of FIG. 13;  
FIG. 16 is a side elevation view of FIG. 13;  
FIG. 17 is an opposite side elevation view of FIG. 13;  
FIG. 18 is a top plan view of FIG. 13;  
FIG. 19 is a bottom plan view of FIG. 13;  
FIG. 20 is a perspective view of a third component of the feces sampling and detecting device shown in FIG. 1;  
FIG. 21 is an alternative perspective view of FIG. 20;  
FIG. 22 is front elevation view of FIG. 20;  
FIG. 23 is a rear elevation view of FIG. 20;  
FIG. 24 is a side elevation view of FIG. 20;  
FIG. 25 is an opposite side elevation view of FIG. 20;  
FIG. 26 is a top plan view of FIG. 20; and,  
FIG. 27 is a bottom plan view of FIG. 20.

**1 Claim, 23 Drawing Sheets**



(58) **Field of Classification Search**

CPC ..... G01N 2035/00306; G01N 2035/00326;  
G01N 2035/00336; B01L 3/502; B01L  
3/5029; B01L 2030/042; B01L 2030/047;  
B01L 2030/0832; A16B 10/0038

See application file for complete search history.

(56) **References Cited**

U.S. PATENT DOCUMENTS

D594,131	S *	6/2009	Nguyen	.....	D24/216
D640,795	S *	6/2011	Jackson	.....	D24/216
D645,769	S *	9/2011	Wan	.....	D10/94
8,556,826	B2 *	10/2013	Wan	.....	A61B 10/0038 600/569
D743,046	S *	11/2015	Poll	.....	D24/224
D743,571	S *	11/2015	Jackson	.....	D24/216
2005/0106753	A1 *	5/2005	Wu	.....	B01L 3/5029 436/180
2006/0210448	A1 *	9/2006	Wang	.....	A61B 10/0038 422/400
2008/0034899	A1 *	2/2008	Kikuri	.....	A61B 10/0038 73/864.51
2009/0005705	A1 *	1/2009	Wan	.....	A61B 10/0038 600/573
2014/0150539	A1 *	6/2014	Wan	.....	A61B 10/0096 73/64.56

\* cited by examiner

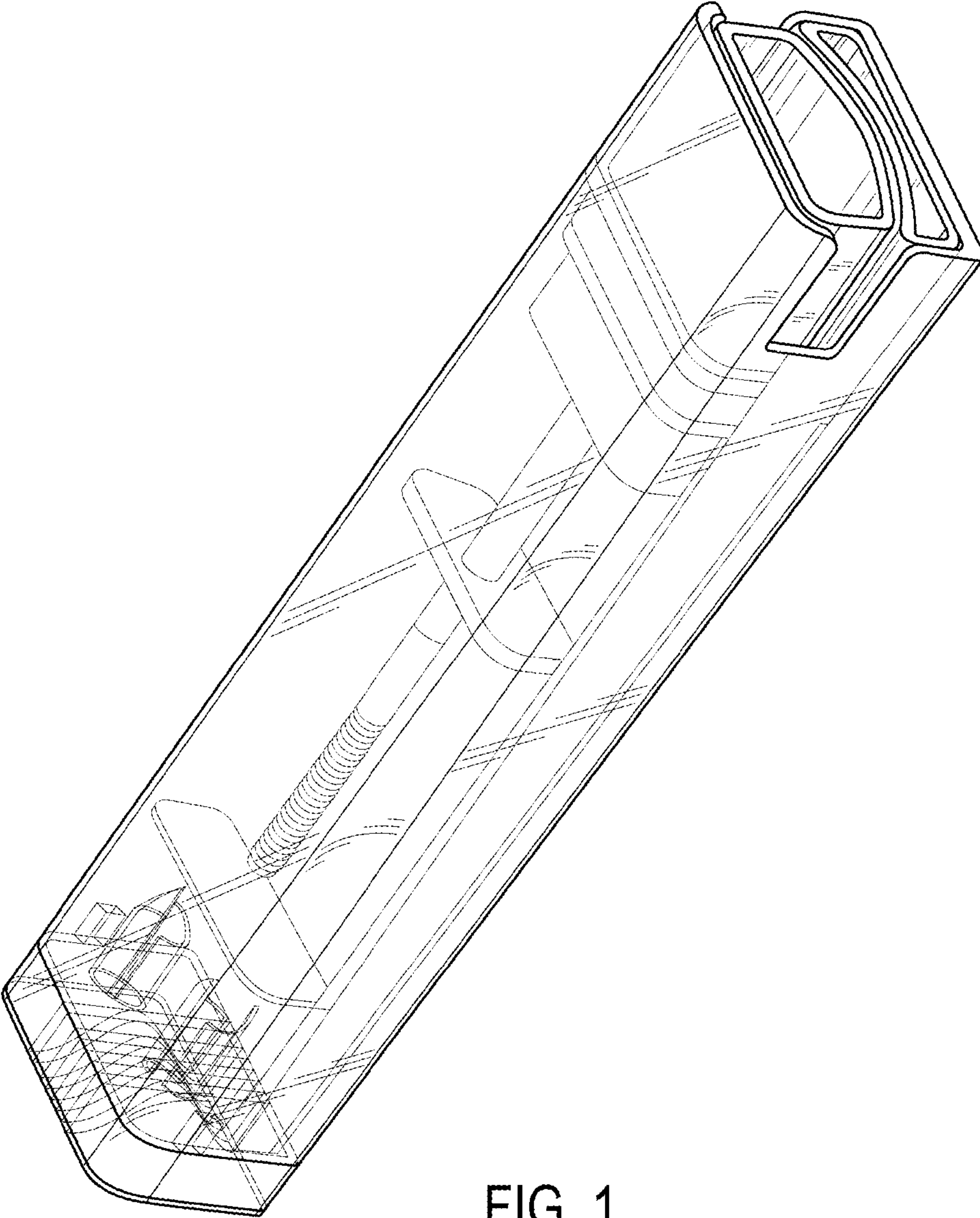


FIG. 1

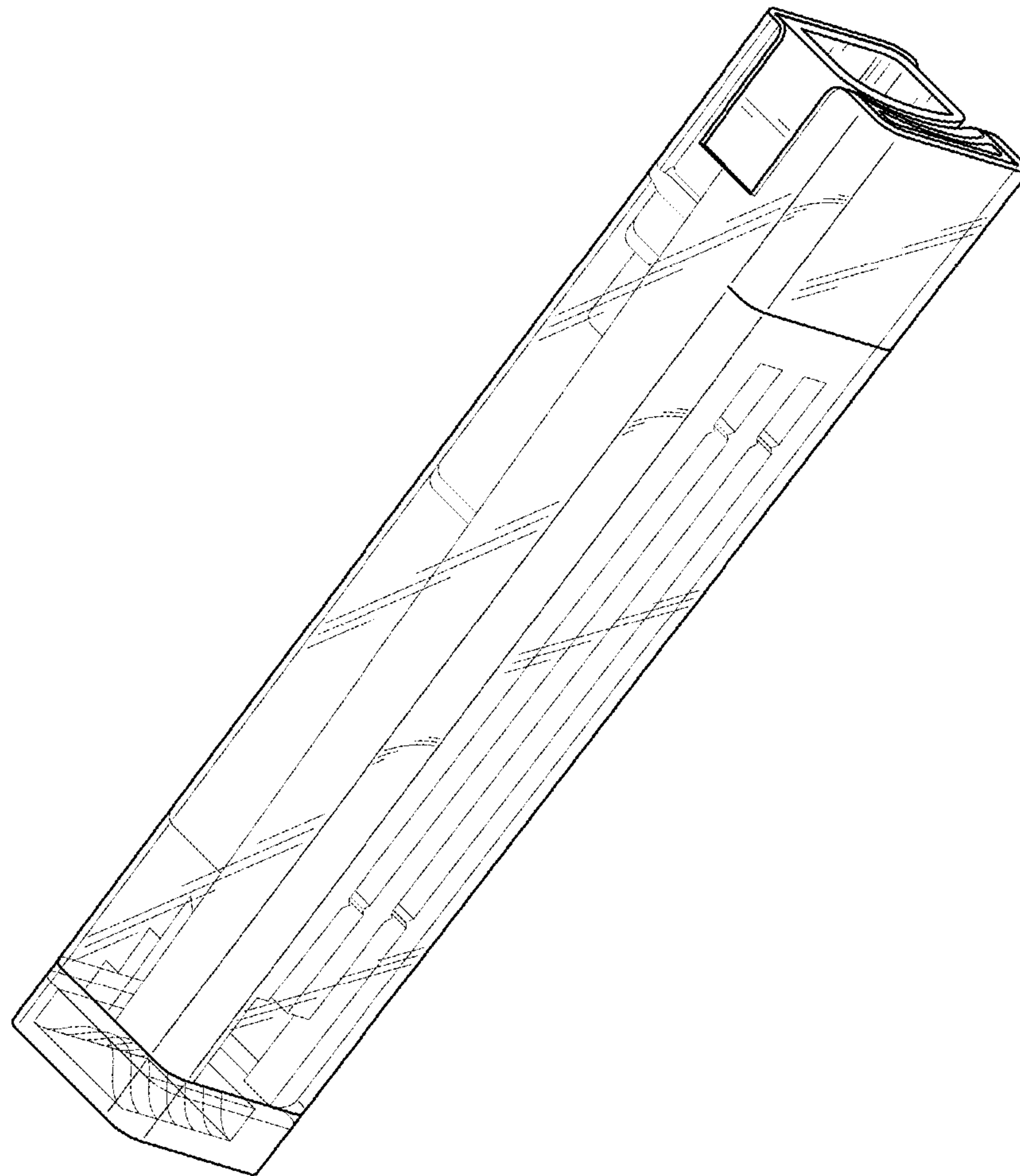


FIG. 2



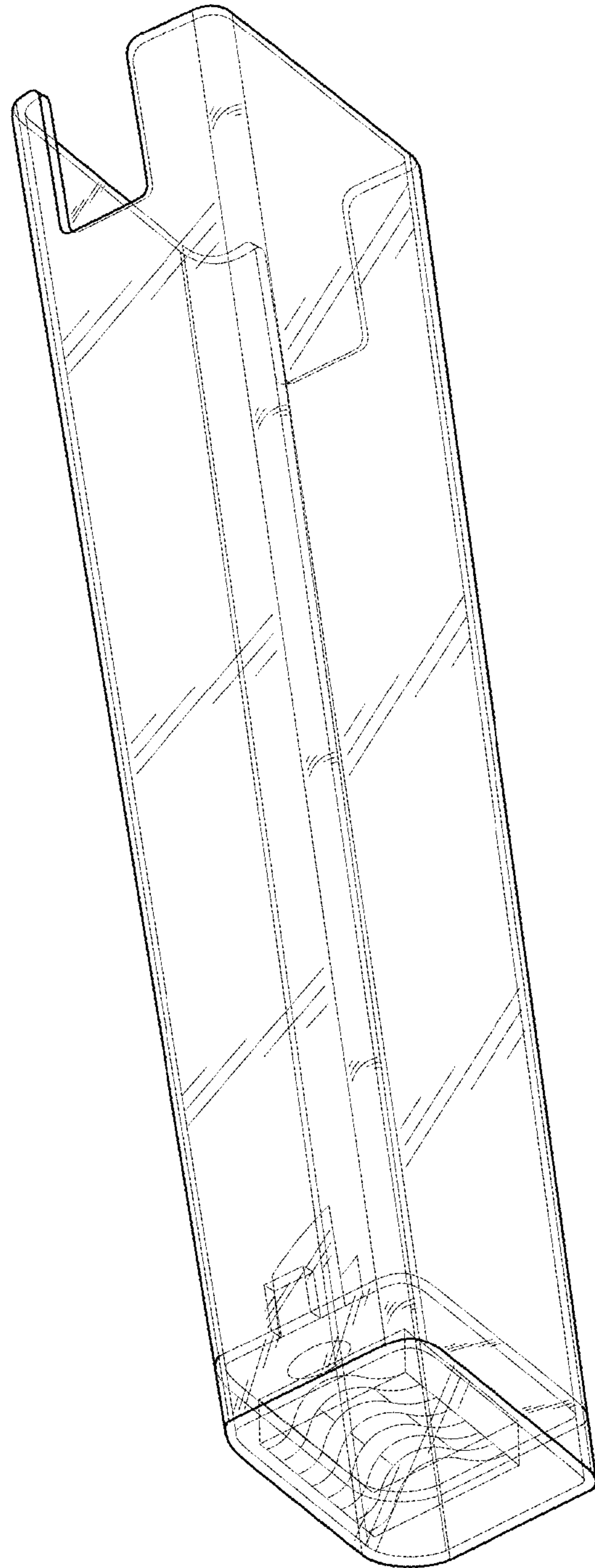


FIG. 3

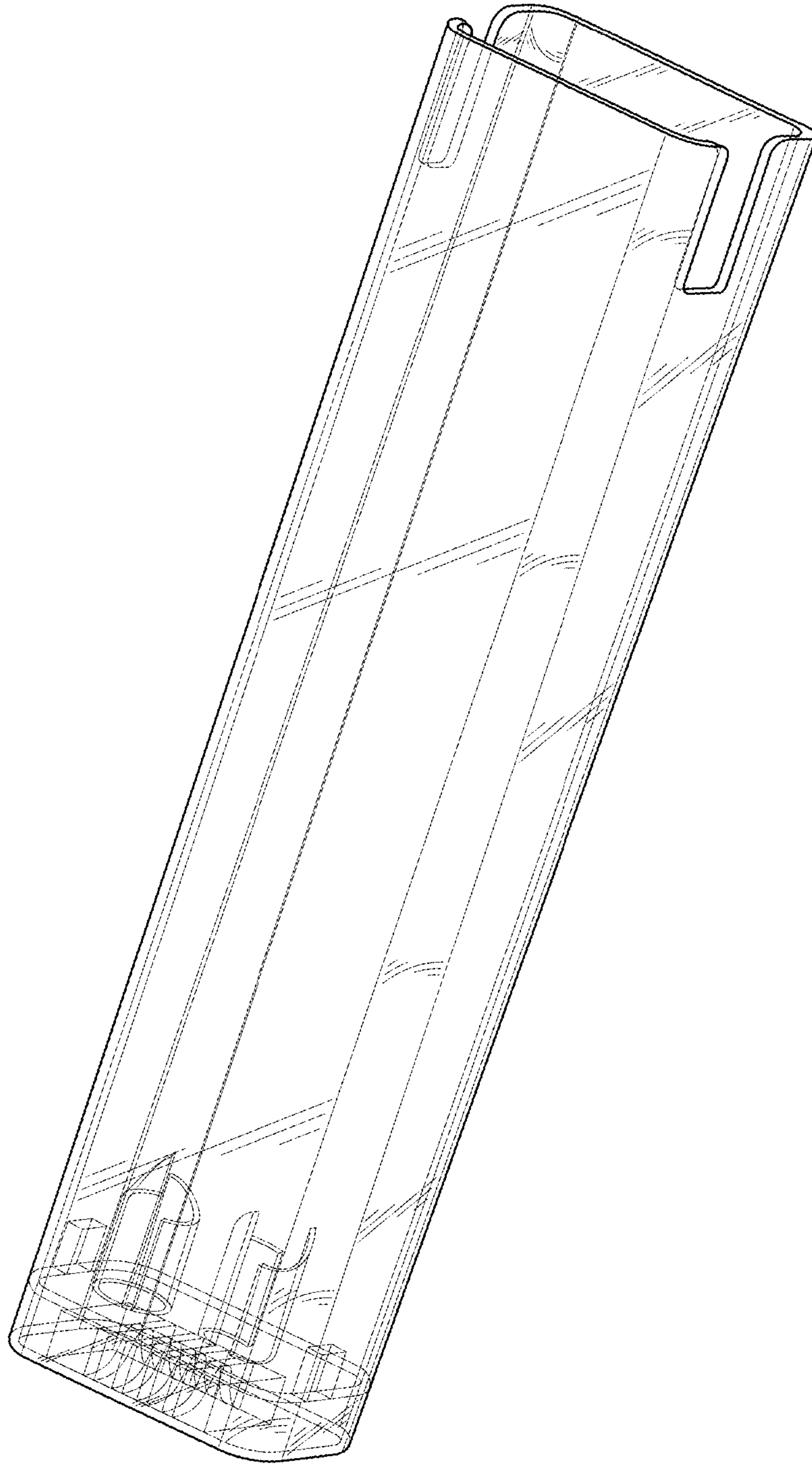


FIG. 4

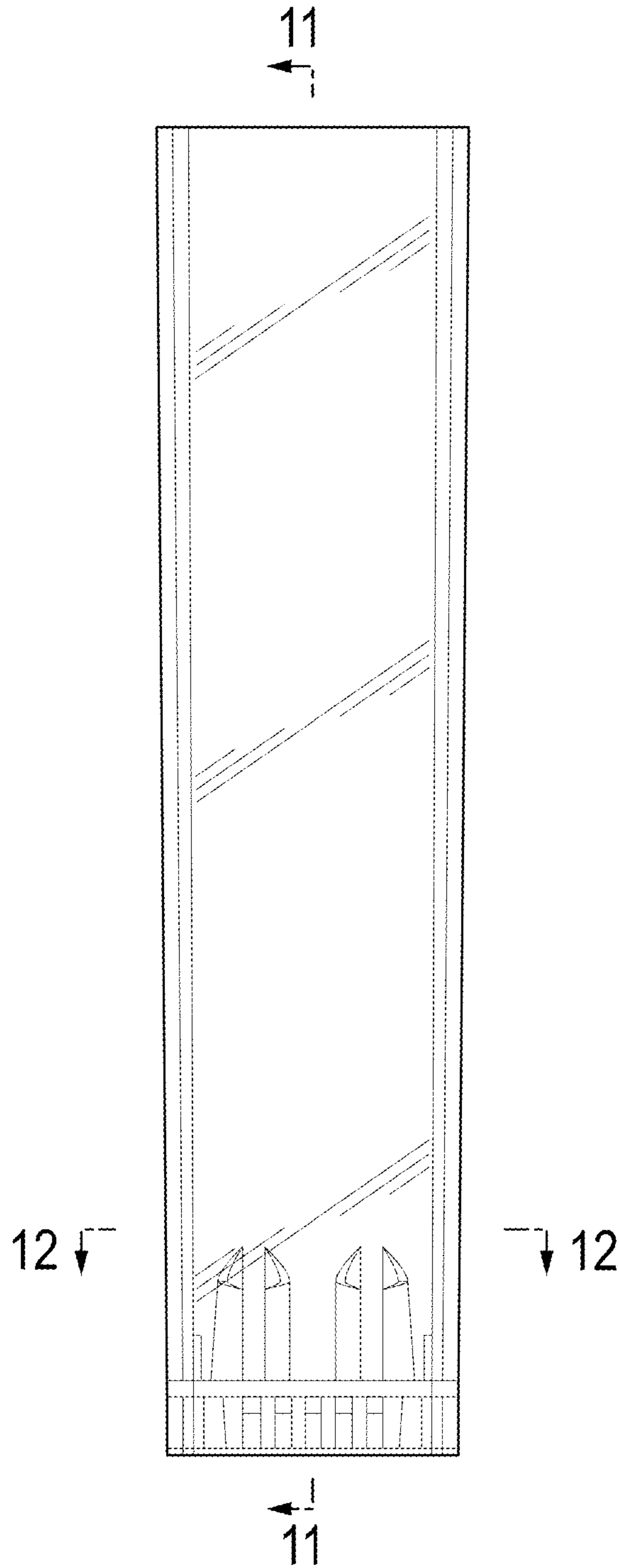


FIG. 5

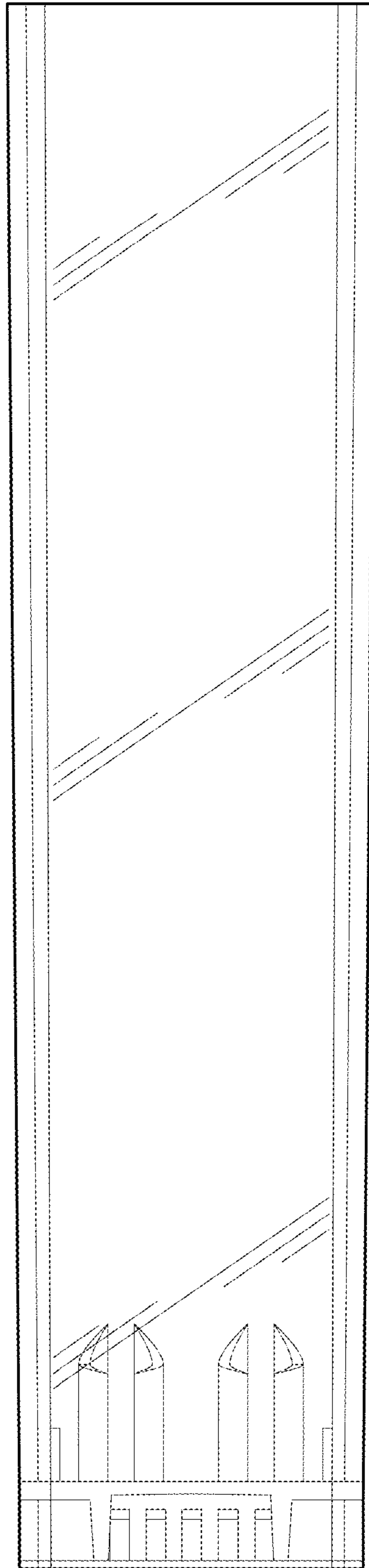


FIG. 6



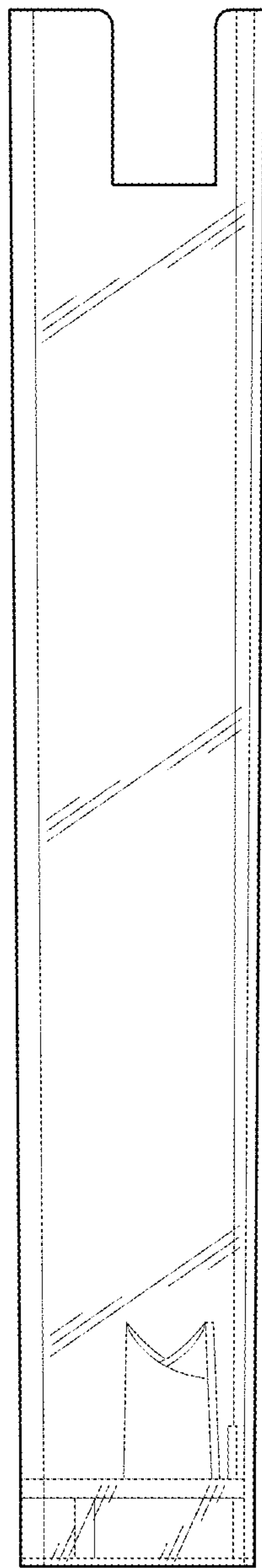


FIG. 7

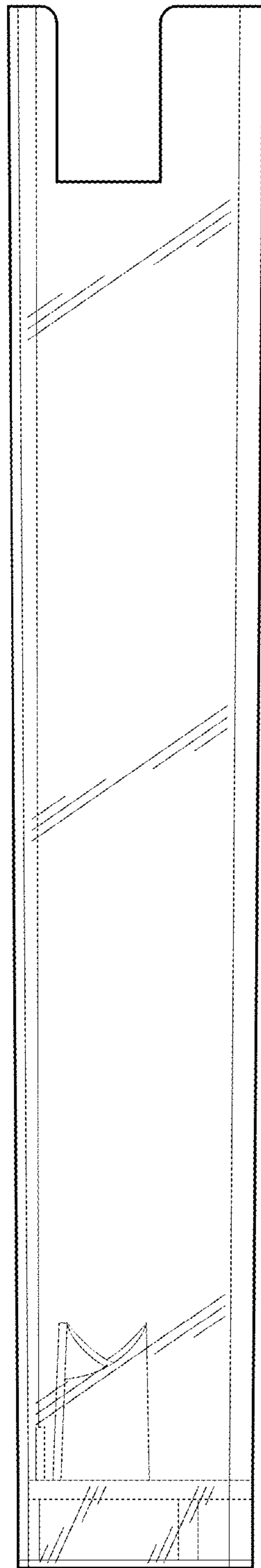


FIG. 8

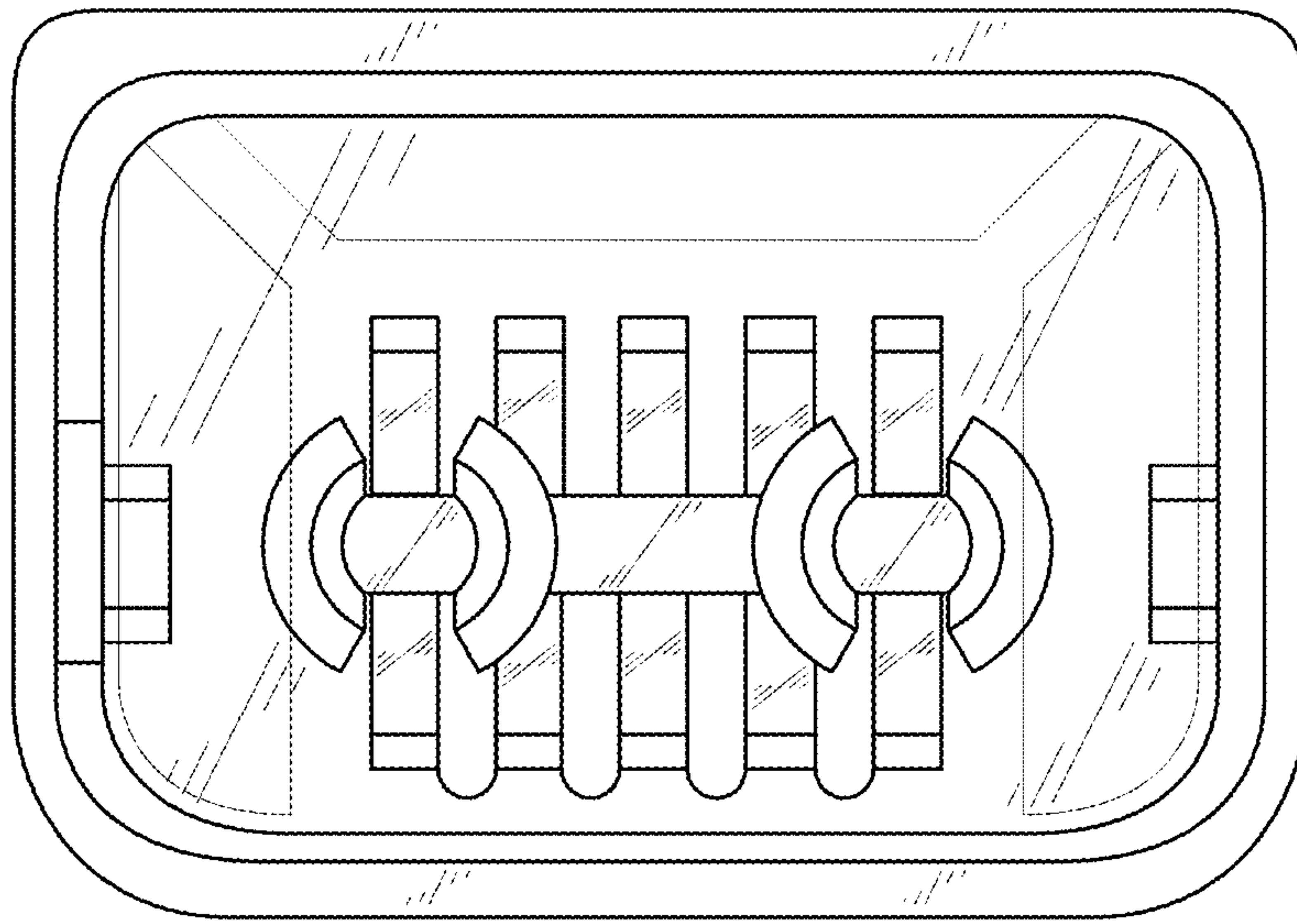


FIG. 9

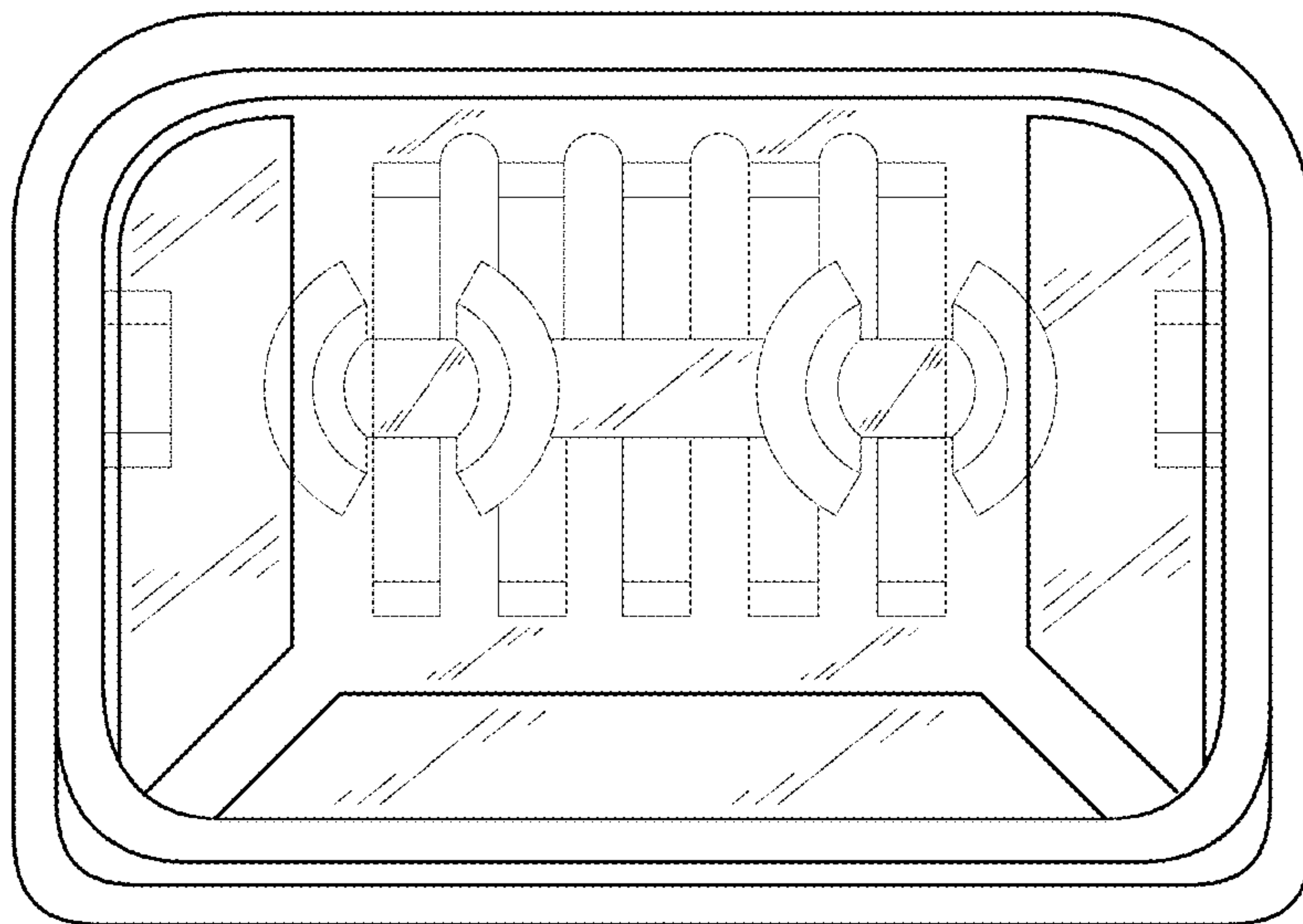


FIG. 10

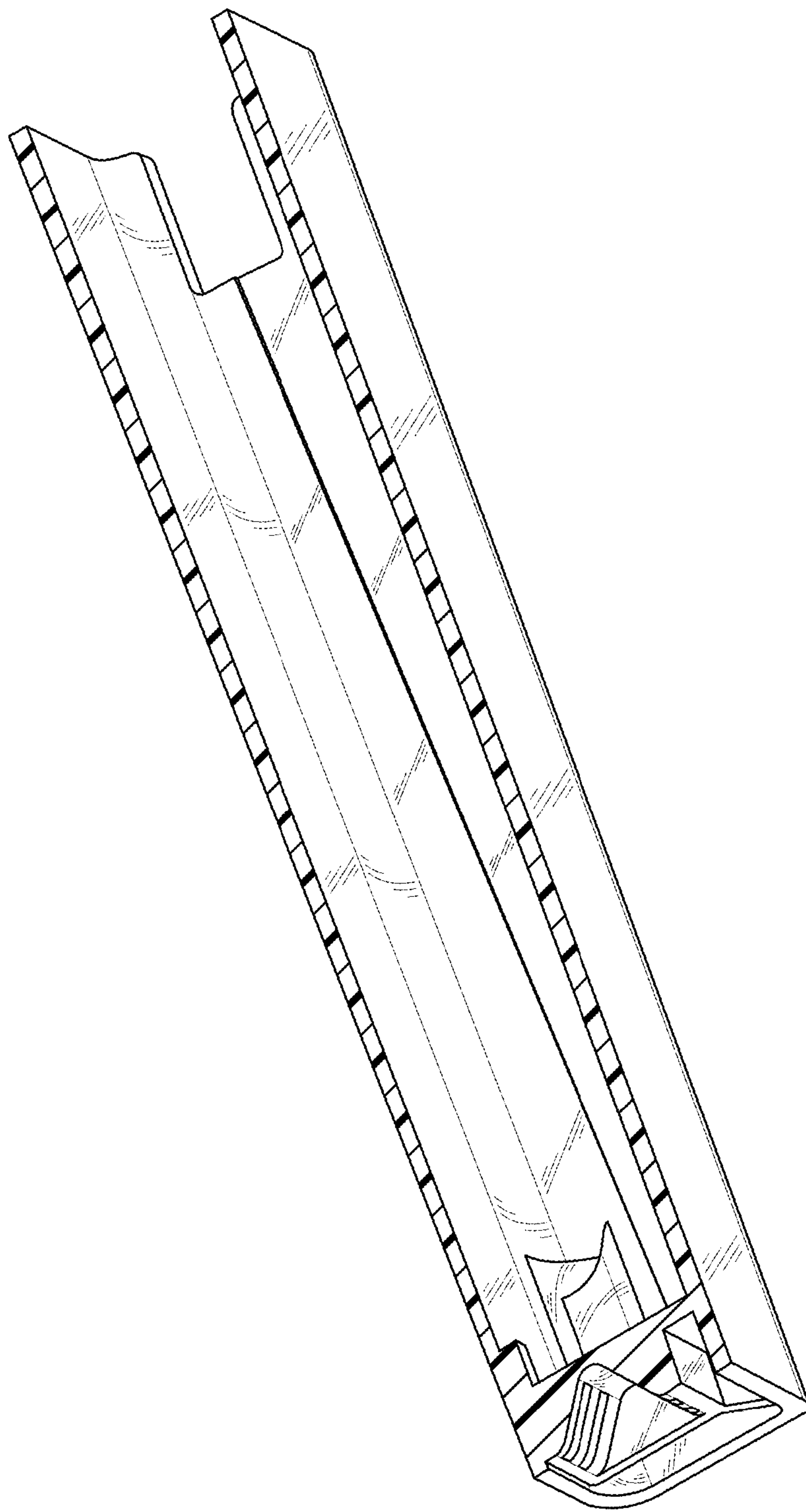


FIG. 11

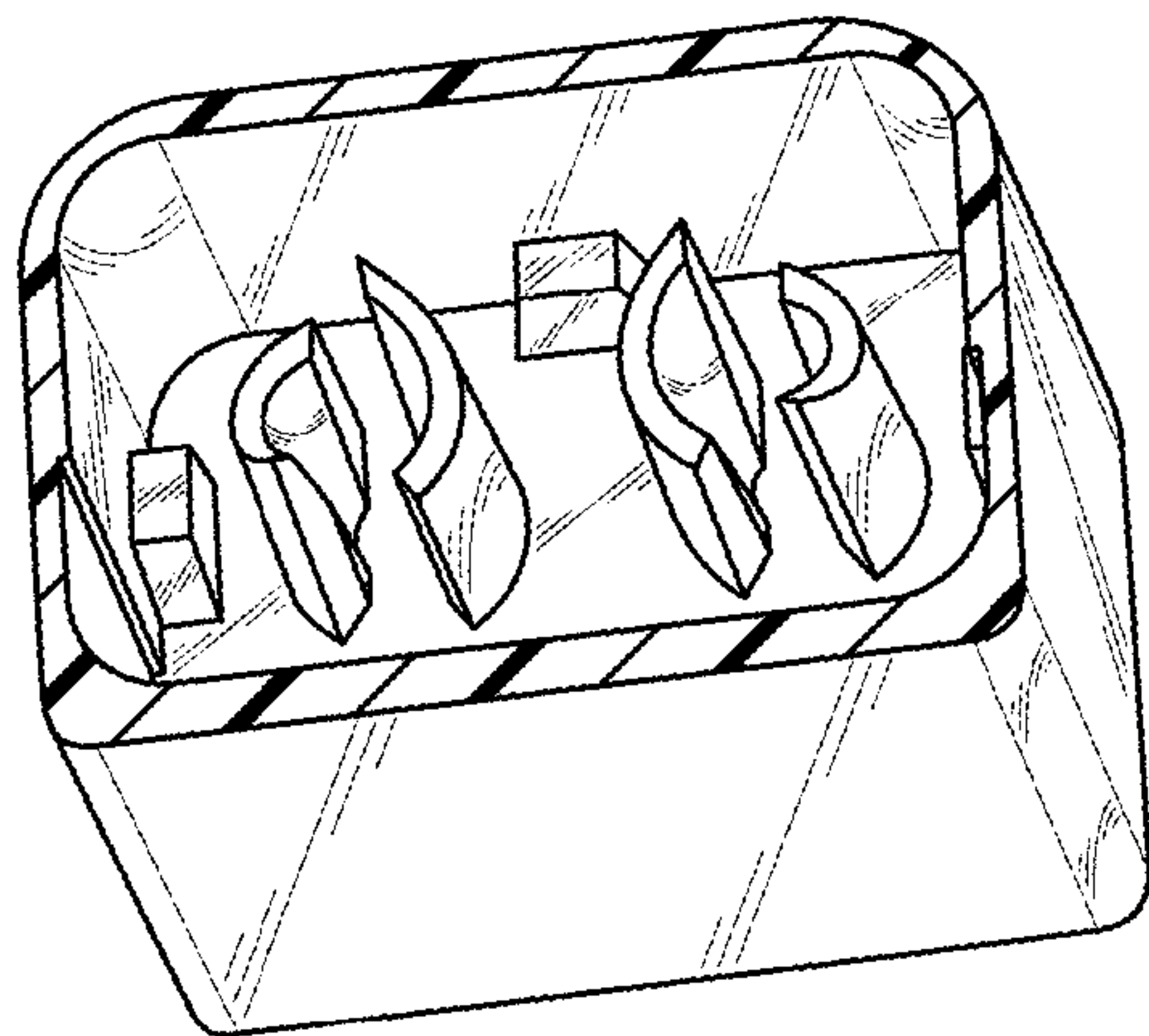


FIG. 12



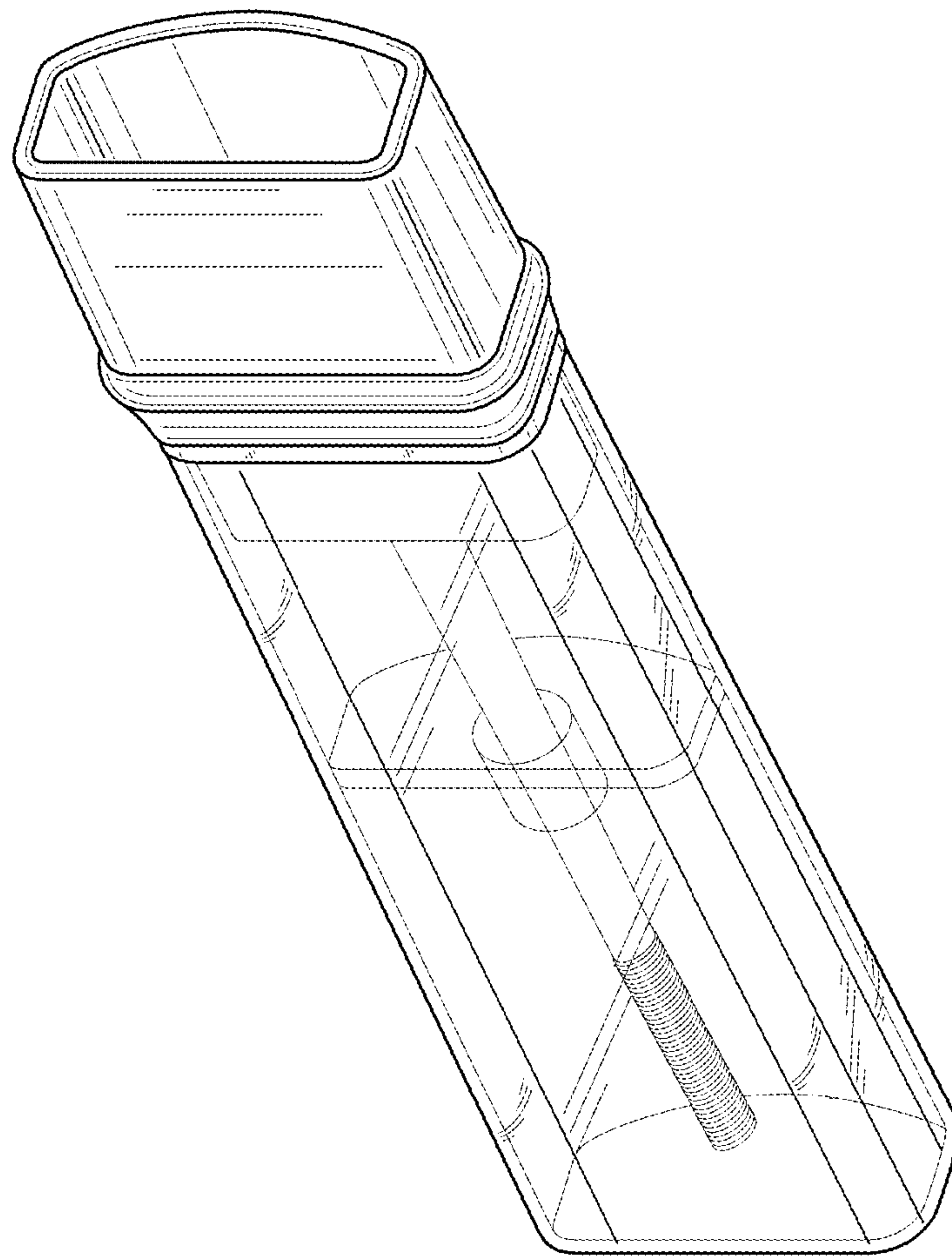


FIG. 13

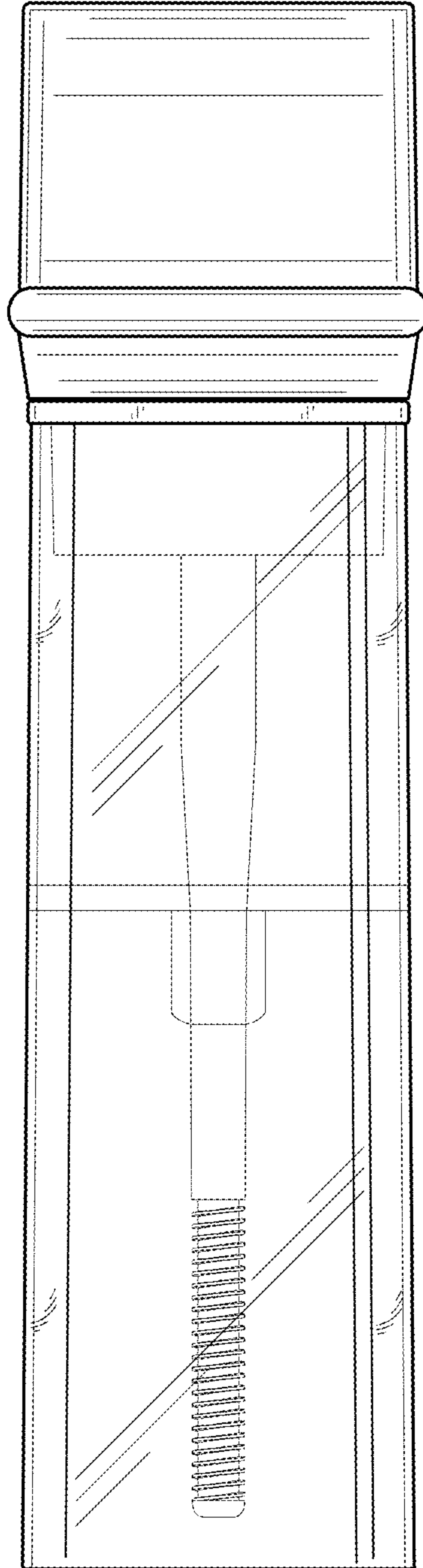


FIG. 14

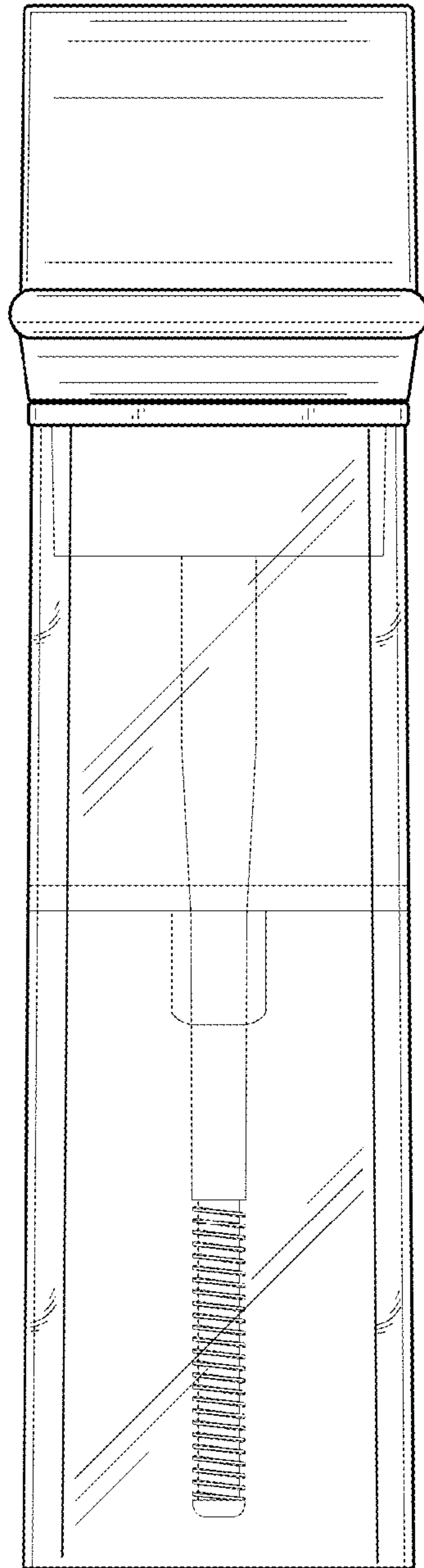


FIG. 15

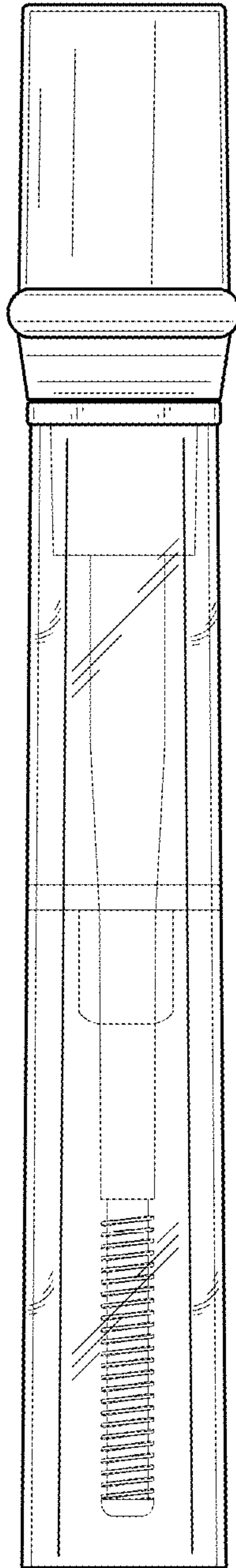


FIG. 16

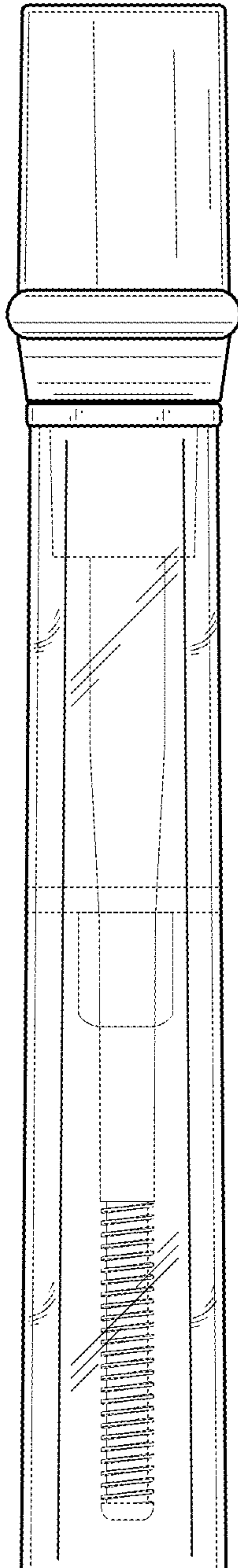


FIG. 17



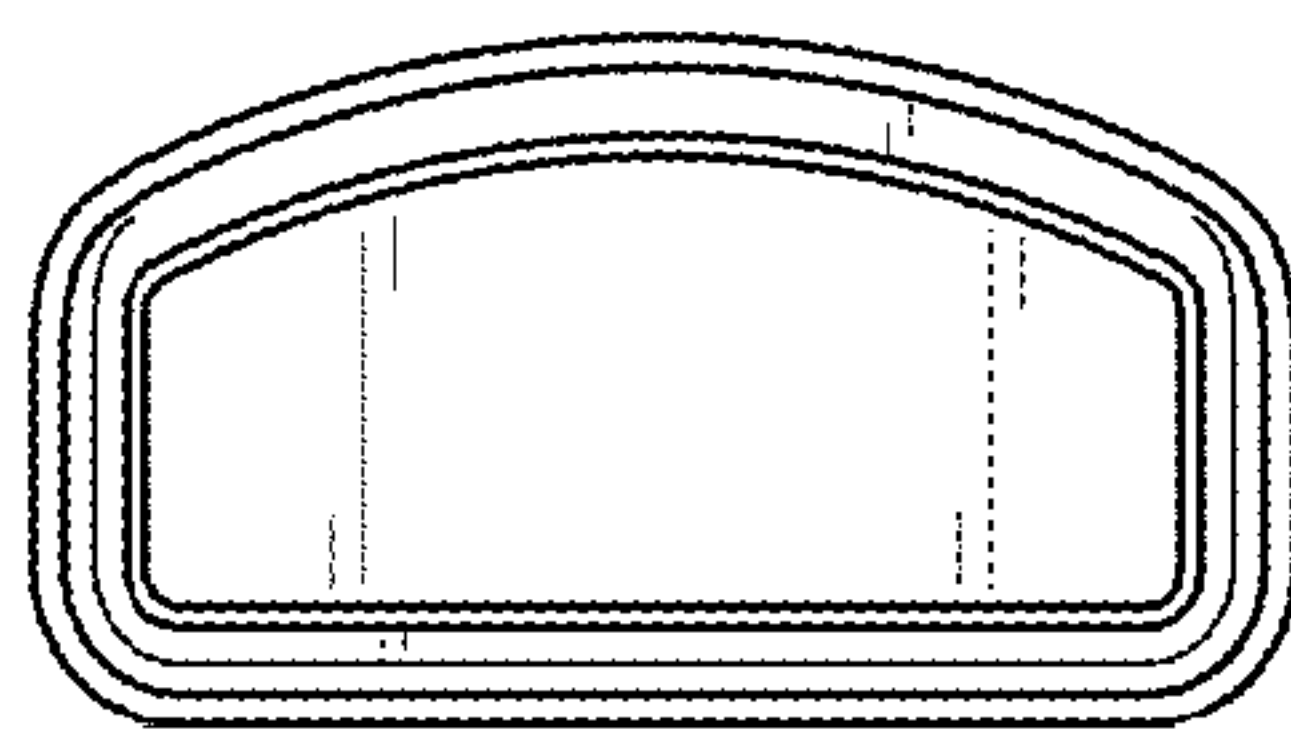


FIG. 18

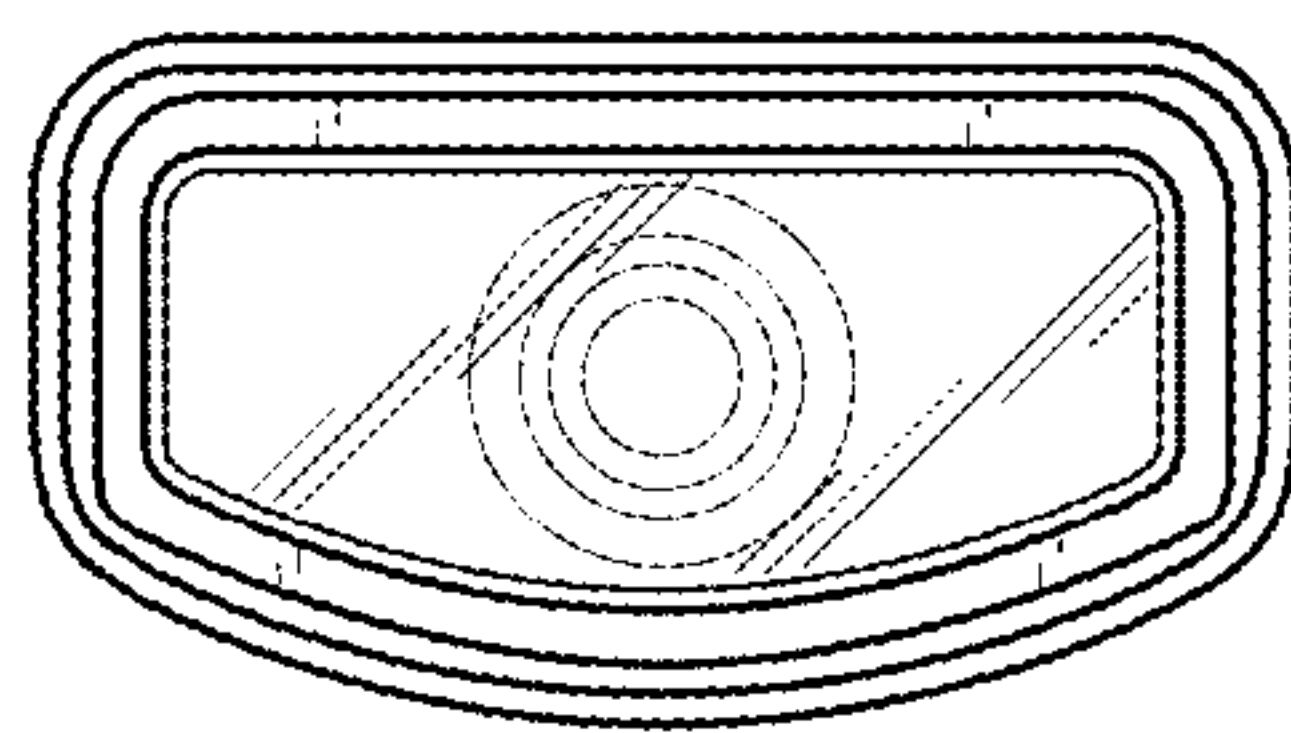


FIG. 19

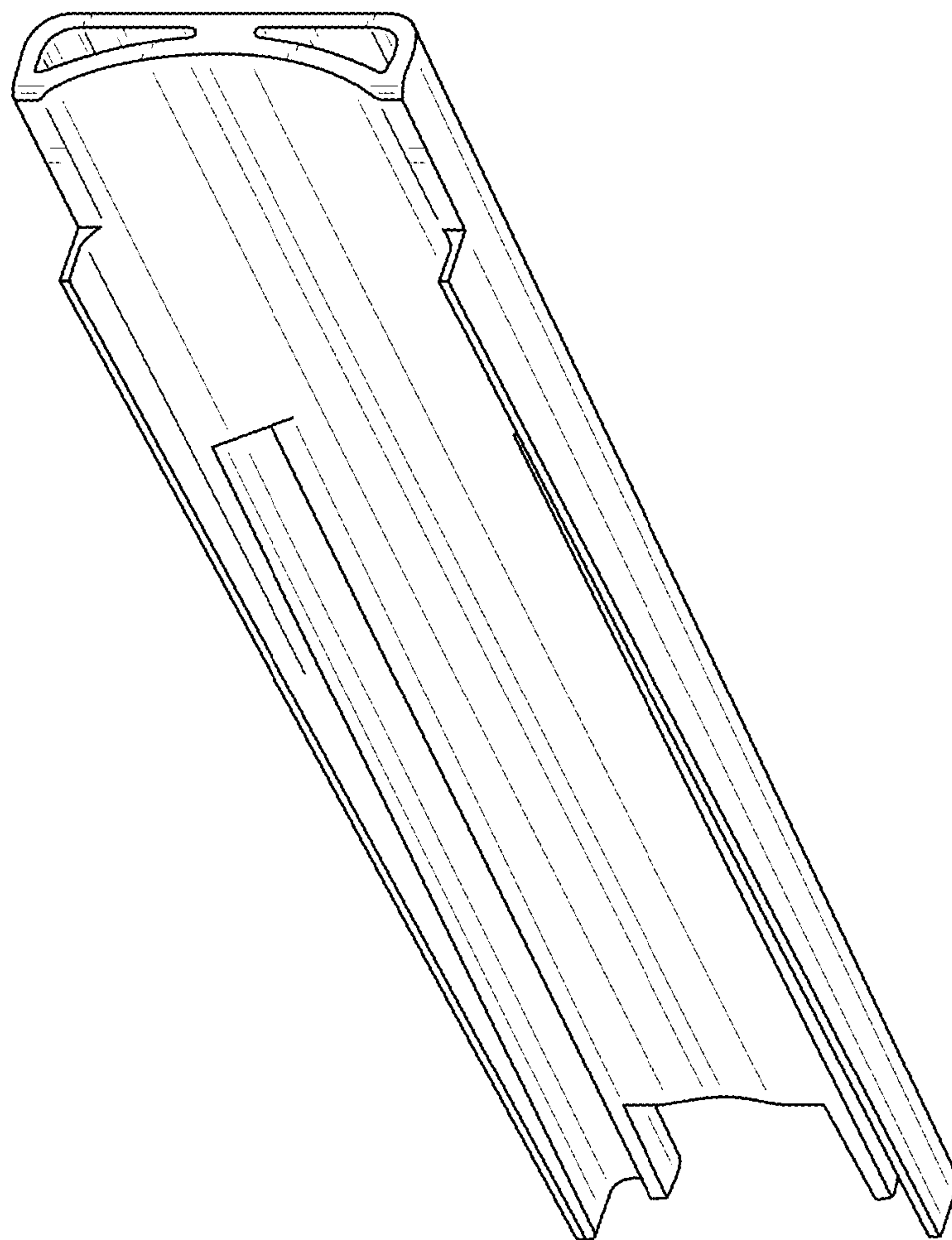


FIG. 20

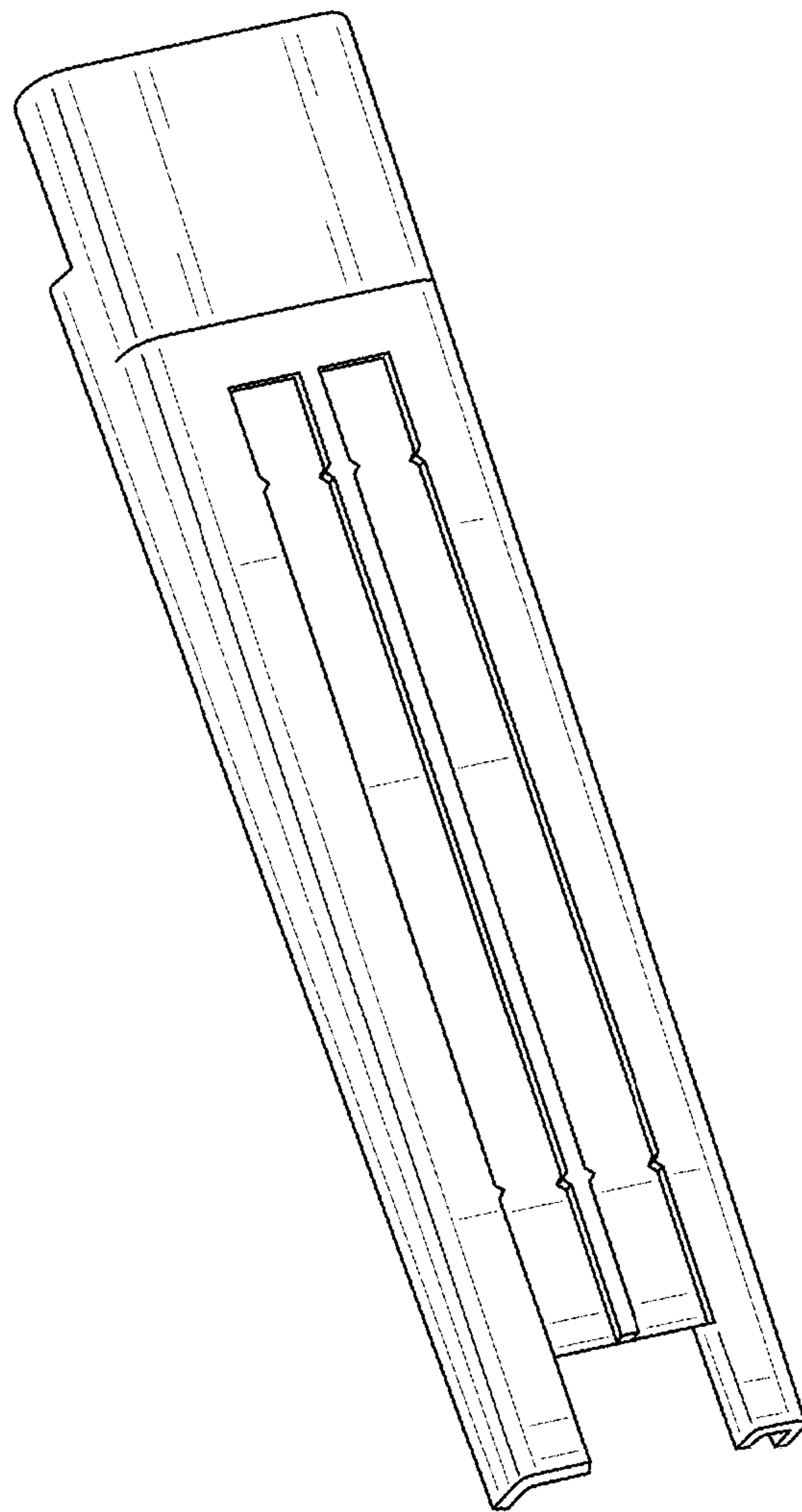


FIG. 21

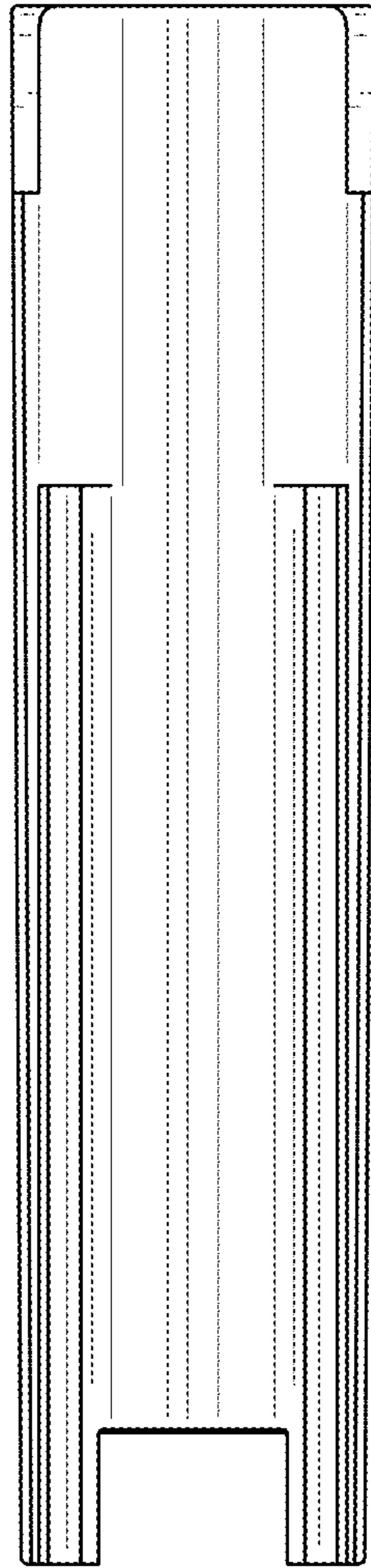


FIG. 22

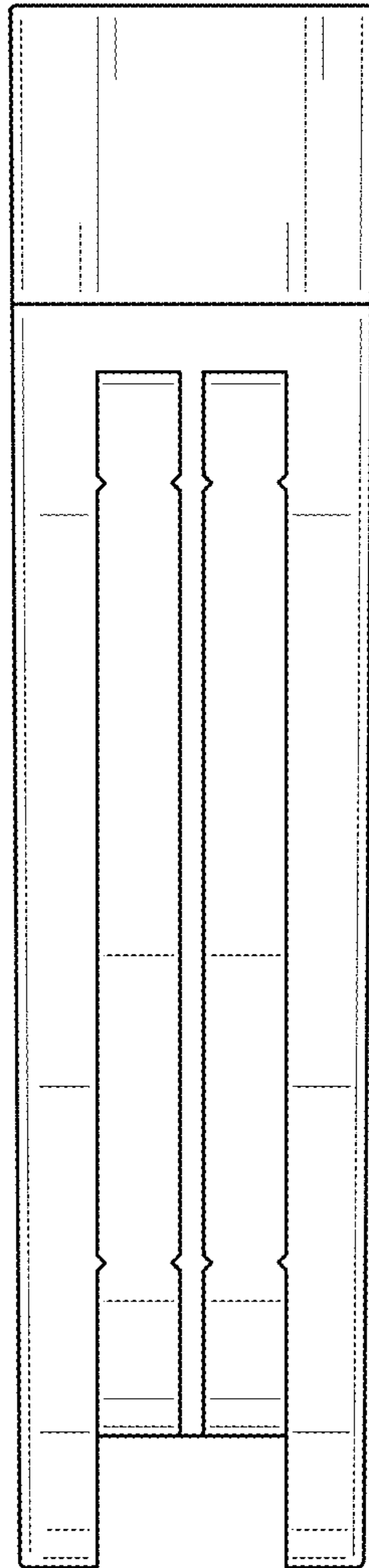


FIG. 23



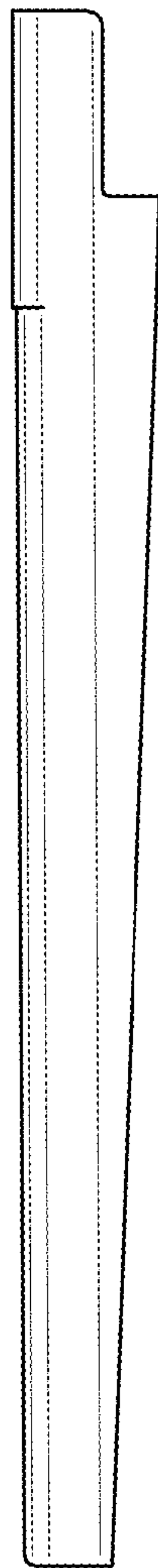


FIG. 24

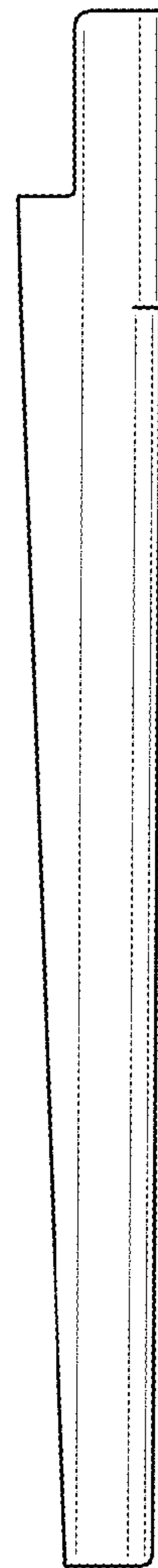


FIG. 25

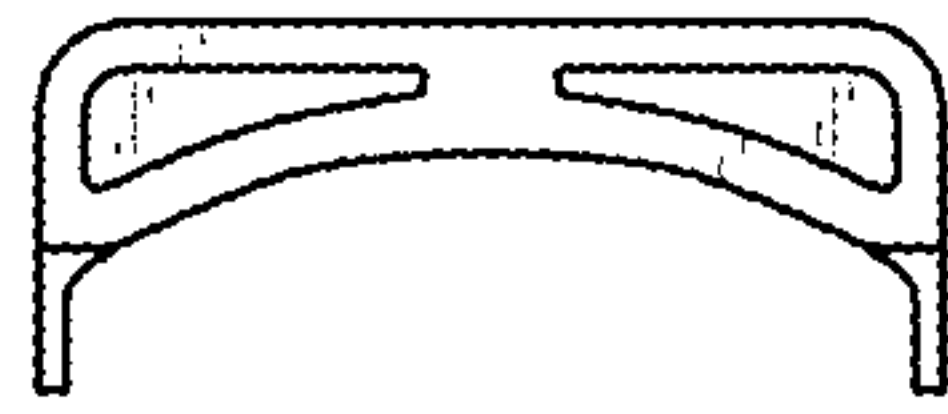


FIG. 26

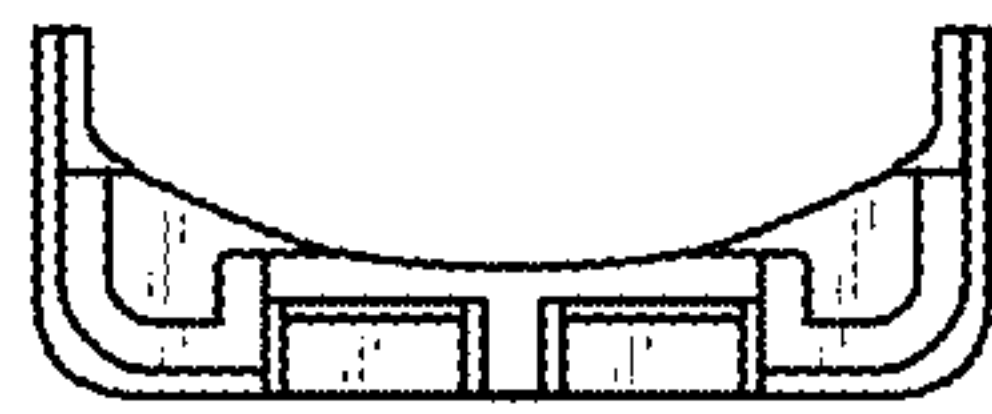


FIG. 27

UNITED STATES PATENT AND TRADEMARK OFFICE  
**CERTIFICATE OF CORRECTION**

PATENT NO. : D776,292 S  
APPLICATION NO. : 29/546744  
DATED : January 10, 2017  
INVENTOR(S) : John Wan et al.

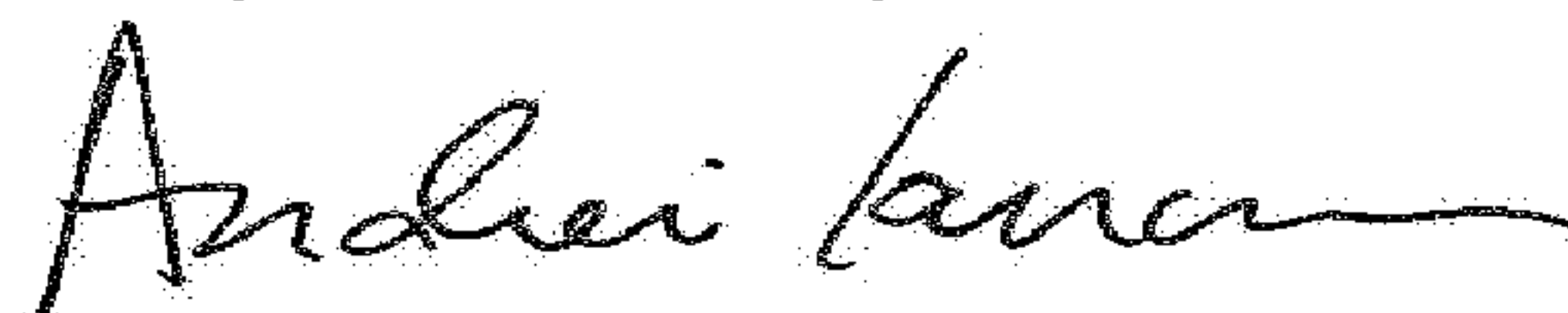
Page 1 of 1

It is certified that error appears in the above-identified patent and that said Letters Patent is hereby corrected as shown below:

On the Title Page

(72) Inventors should read:  
John Wan, San Marino, CA (US);  
Qinghai Xia, Beijing (CN);  
Panpan Hou, Beijing (CN);  
Jie Liu, Beijing (CN);  
Delong Wan, San Marino, CA (US)

Signed and Sealed this  
Twenty-seventh Day of March, 2018



Andrei Iancu  
*Director of the United States Patent and Trademark Office*