



US00D776291S

(12) **United States Design Patent**
Wan et al.

(10) **Patent No.:** **US D776,291 S**
(45) **Date of Patent:** **** Jan. 10, 2017**

- (54) **FECAL SPECIMEN COLLECTOR**
- (71) Applicant: **W.H.P.M. BIORESEARCH AND TECHNOLOGY CO., LTD.**, Beijing (CN)
- (72) Inventors: **John Wan**, San Marino, CA (US); **Qinghai Xia**, Beijing (CN); **Dandan Yang**, Beijing (CN)
- (73) Assignee: **W.H.P.M. BIORESEARCH AND TECHNOLOGY**, Beijing (CN)
- (**) Term: **15 Years**
- (21) Appl. No.: **29/531,698**
- (22) Filed: **Jun. 29, 2015**
- (30) **Foreign Application Priority Data**

Dec. 31, 2014 (CN) 2014 3 0563653

- (51) **LOC (10) Cl.** **24-01**
- (52) **U.S. Cl.**
USPC **D24/216**
- (58) **Field of Classification Search**
USPC D24/216, 223, 224, 231, 232, 233, 169,
D24/186, 119, 121; D10/81
(Continued)

- (56) **References Cited**
U.S. PATENT DOCUMENTS
D561,344 S * 2/2008 Kozak D24/216
D580,070 S * 11/2008 Riley D24/216
(Continued)

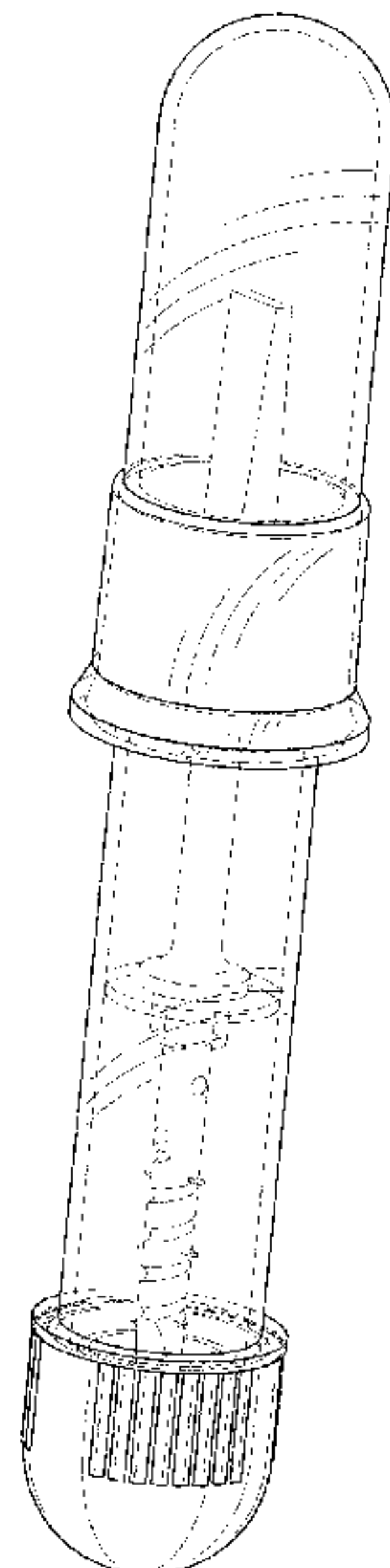
Primary Examiner — Anhdao Doan
(74) *Attorney, Agent, or Firm* — Scully Scott Murphy & Presser

(57) **CLAIM**
The ornamental design for a fecal specimen collector, as shown and described.

DESCRIPTION

FIG. 1 is a perspective view of a fecal specimen collector, showing a first embodiment of our new design;
 FIG. 2 is a front view of FIG. 1;
 FIG. 3 is a rear view of FIG. 1;
 FIG. 4 is a side view of FIG. 1;
 FIG. 5 is an opposite side view of FIG. 1;
 FIG. 6 is a top view of FIG. 1;
 FIG. 7 is a bottom view of FIG. 1;
 FIG. 8 is a sectional view along Lines 8-8 of FIG. 4;
 FIG. 9 is an exploded reference view of FIG. 1;
 FIG. 10 is a perspective view of a fecal specimen collector, showing a second embodiment of our new design;
 FIG. 11 is a front view of FIG. 10;
 FIG. 12 is a rear view of FIG. 10;
 FIG. 13 is a side view of FIG. 10;
 FIG. 14 is an opposite side view of FIG. 10;
 FIG. 15 is a top view of FIG. 10;
 FIG. 16 is a bottom view of FIG. 10;
 FIG. 17 is a sectional view along Lines 17-17 of FIG. 13;
 FIG. 18 is an exploded reference view of FIG. 10;
 FIG. 19 is a perspective view of a fecal specimen collector, showing a third embodiment of our new design;
 FIG. 20 is a front view of FIG. 19;
 FIG. 21 is a rear view of FIG. 19;
 FIG. 22 is a side view of FIG. 19;
 FIG. 23 is an opposite side view of FIG. 19;
 FIG. 24 is a top view of FIG. 19;
 FIG. 25 is a bottom view of FIG. 19;
 FIG. 26 is a sectional view along Lines 26-26 of FIG. 20;
 and,
 FIG. 27 is an exploded reference view of FIG. 19.

1 Claim, 18 Drawing Sheets



(58) **Field of Classification Search**

CPC G01N 2035/00306; G01N 2035/00326;
G01N 2035/00336; B01L 3/502; B01L
3/5029; B01L 2030/042; B01L 2030/047;
B01L 2030/0832; A16B 10/0038

See application file for complete search history.

(56) **References Cited**

U.S. PATENT DOCUMENTS

| | | | | | |
|--------------|------|---------|---------|-------|---------------------------|
| D594,131 | S * | 6/2009 | Nguyen | | D24/216 |
| D640,795 | S * | 6/2011 | Jackson | | D24/216 |
| D645,769 | S * | 9/2011 | Wan | | D10/94 |
| 8,556,826 | B2 * | 10/2013 | Wan | | A61B 10/0038 600/569 |
| D743,046 | S * | 11/2015 | Poll | | D24/224 |
| D743,571 | S * | 11/2015 | Jackson | | D24/216 |
| 2005/0106753 | A1 * | 5/2005 | Wu | | B01L 3/5029 436/180 |
| 2006/0210448 | A1 * | 9/2006 | Wang | | A61B 10/0038 422/400 |
| 2008/0034899 | A1 * | 2/2008 | Kikuri | | A61B 10/0038 73/864.51 |
| 2009/0005705 | A1 * | 1/2009 | Wan | | A61B 10/0038 600/573 |
| 2014/0150539 | A1 * | 6/2014 | Wan | | A61B 10/0096 73/64.56 |

* cited by examiner

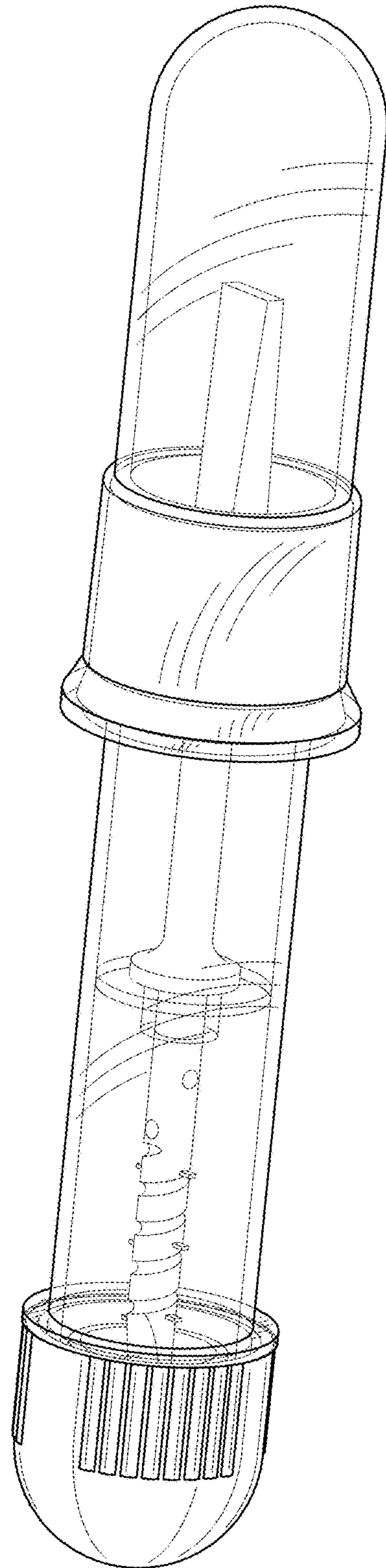


FIG. 1

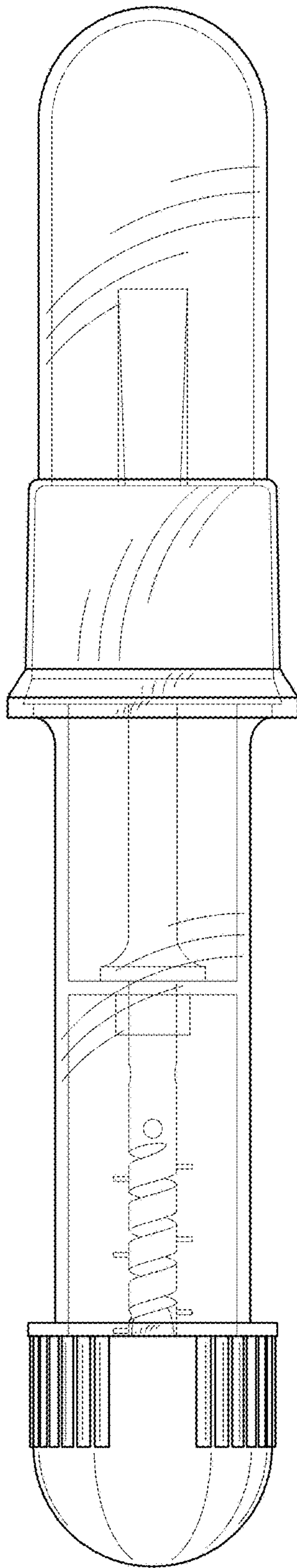


FIG. 2

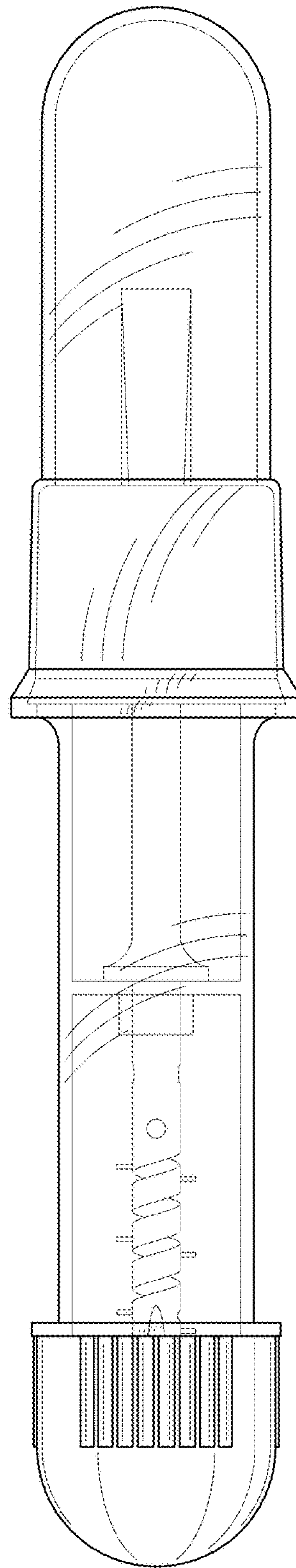
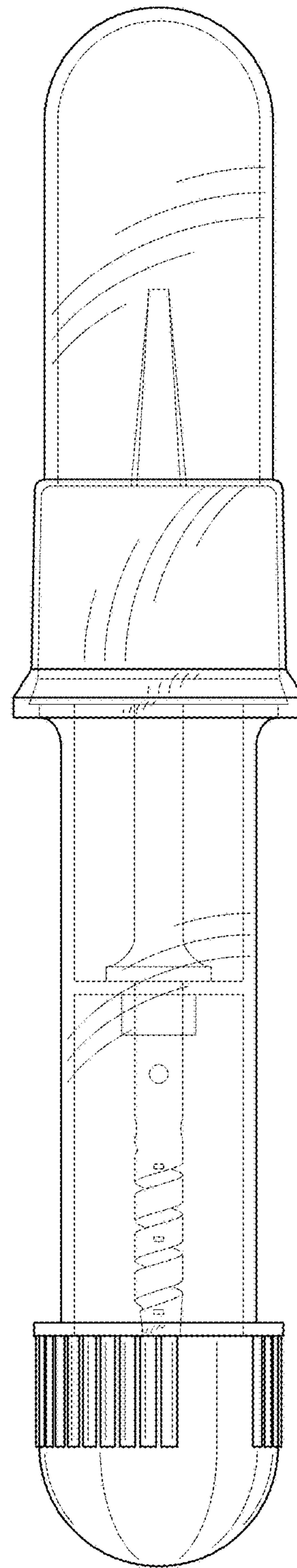
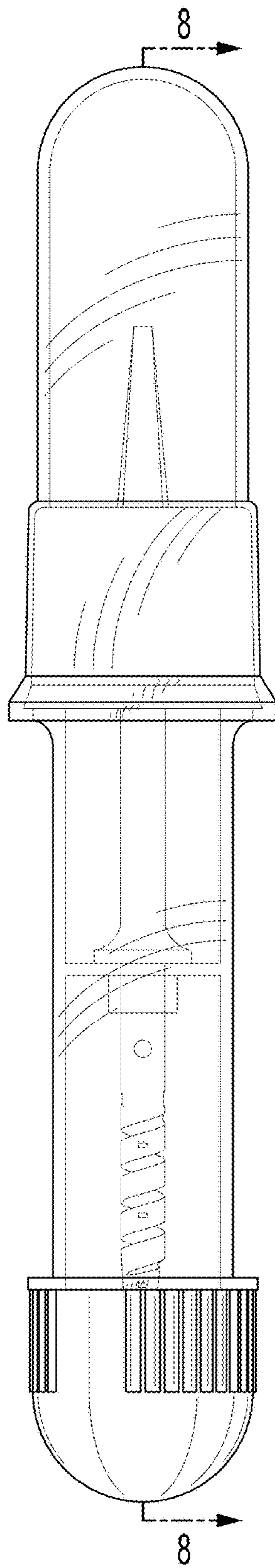


FIG. 3



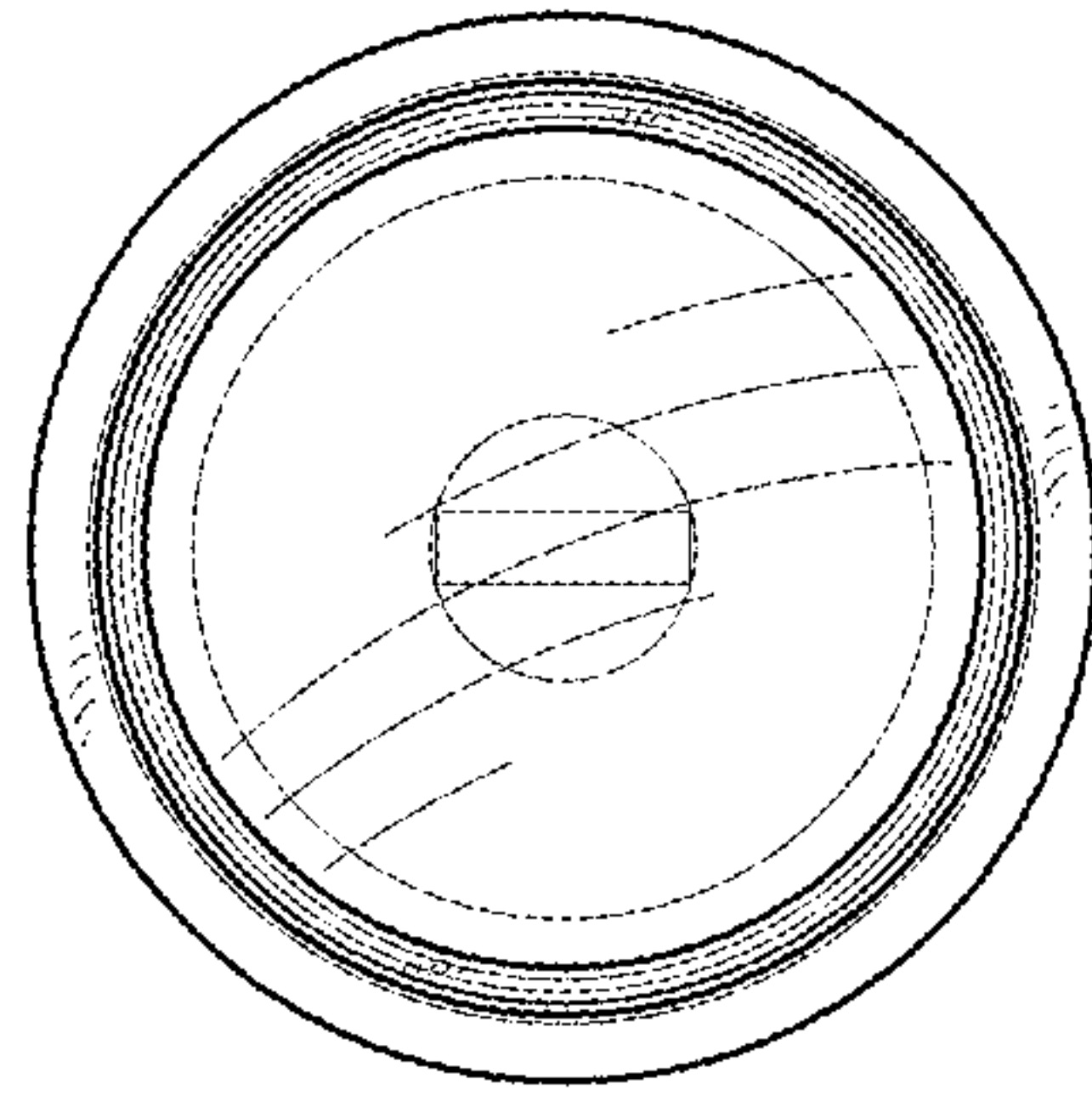


FIG. 6

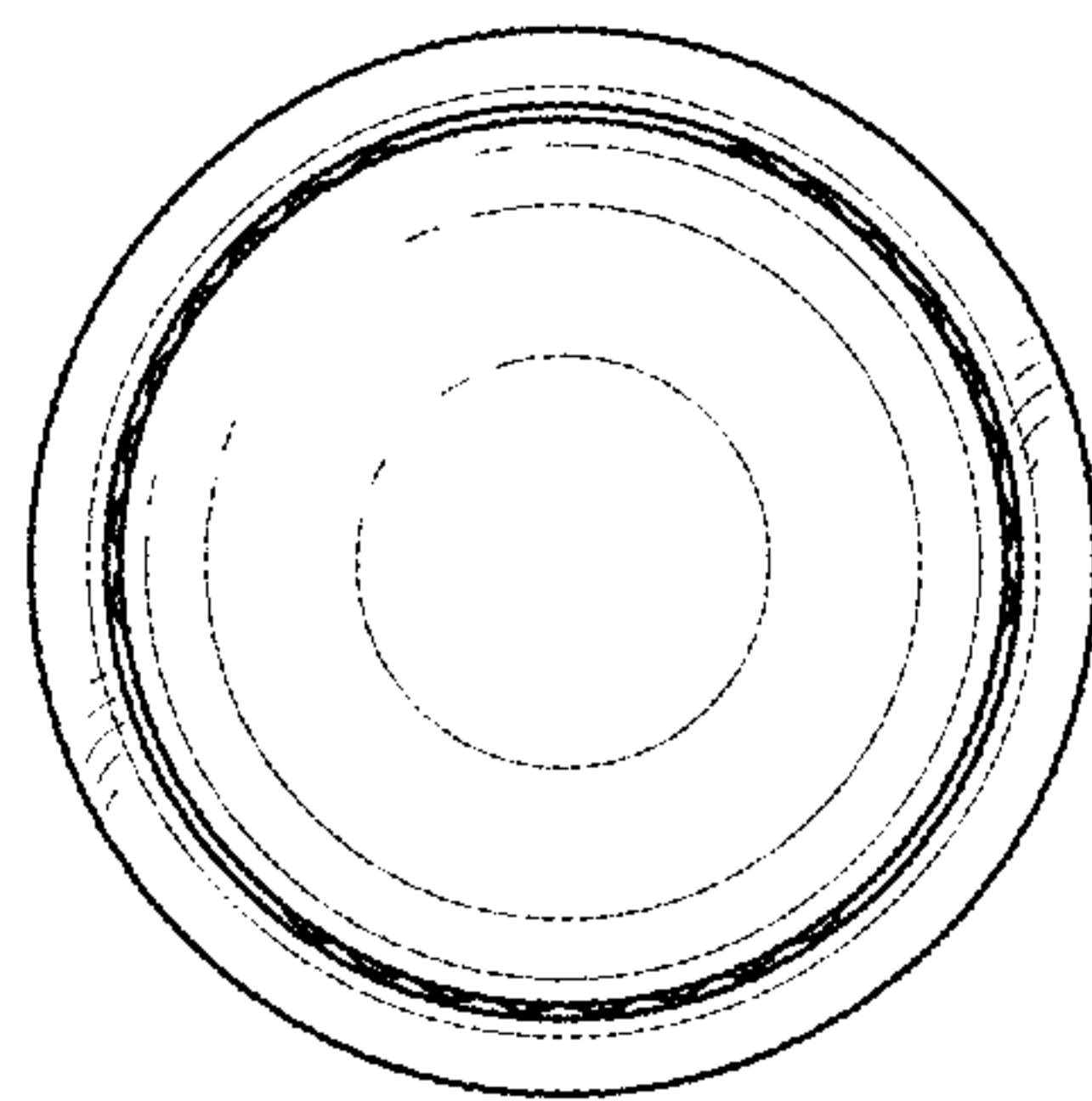


FIG. 7

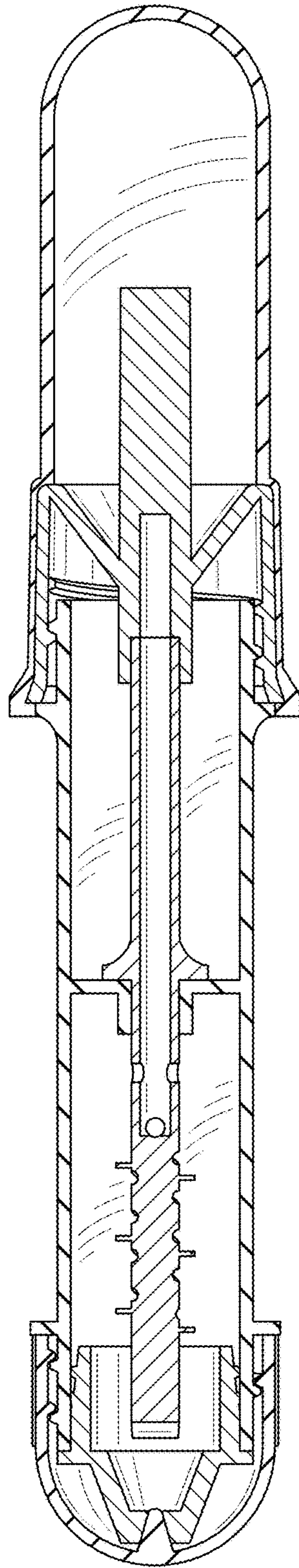


FIG. 8

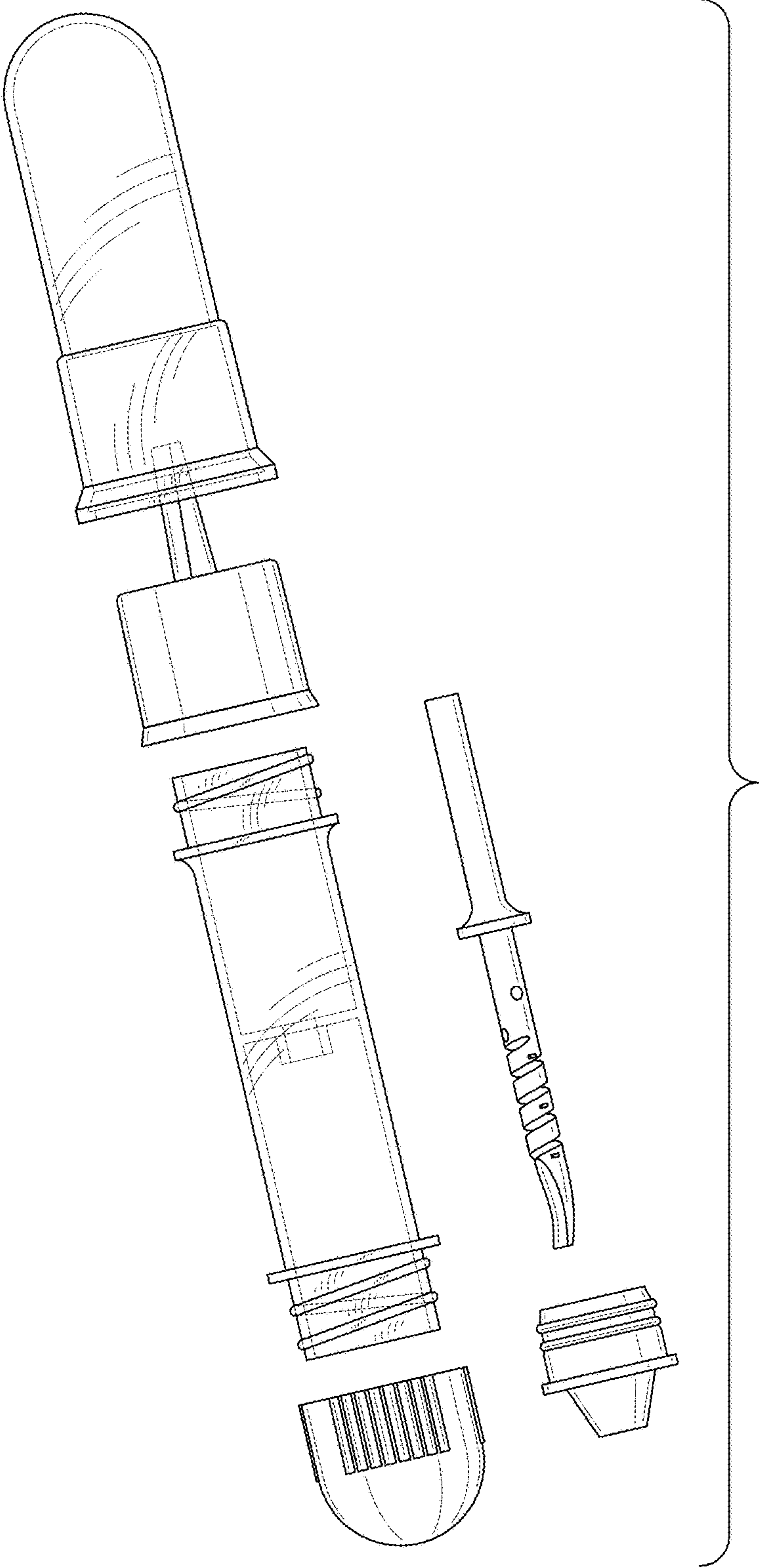


FIG. 9

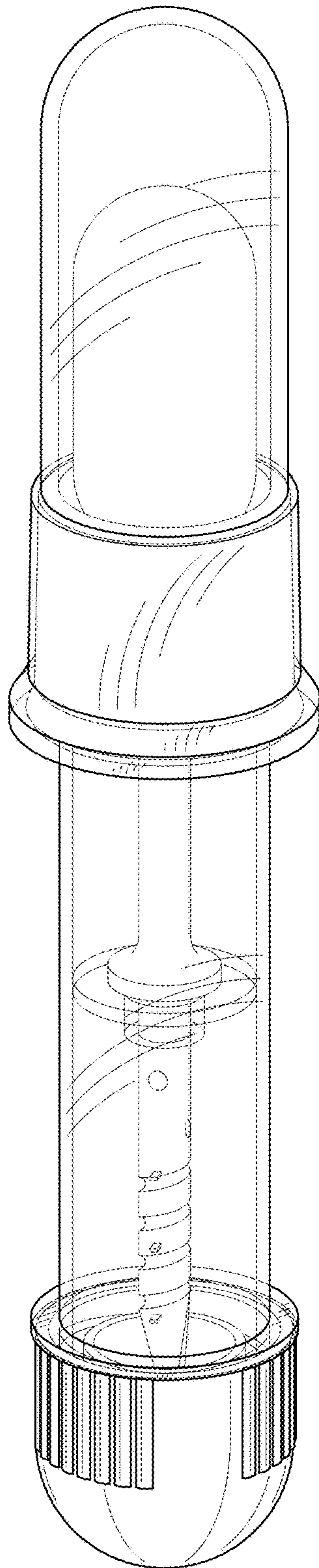


FIG. 10

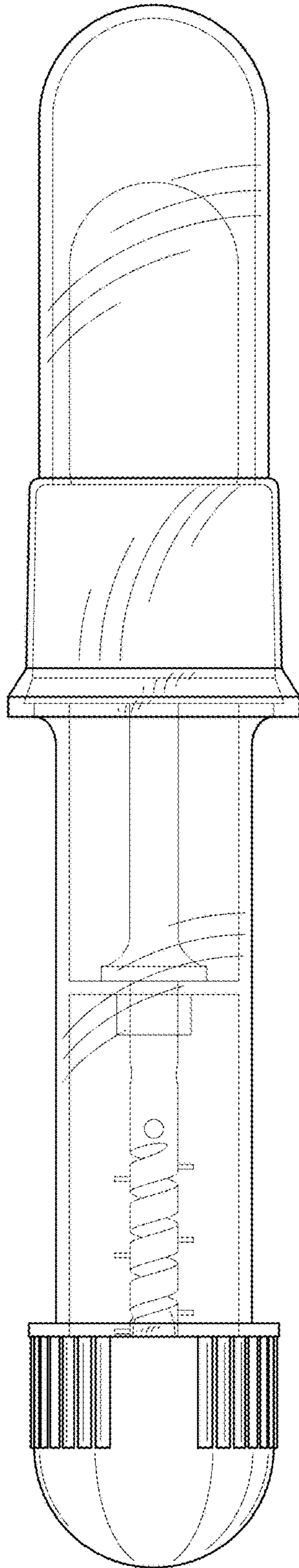


FIG. 11

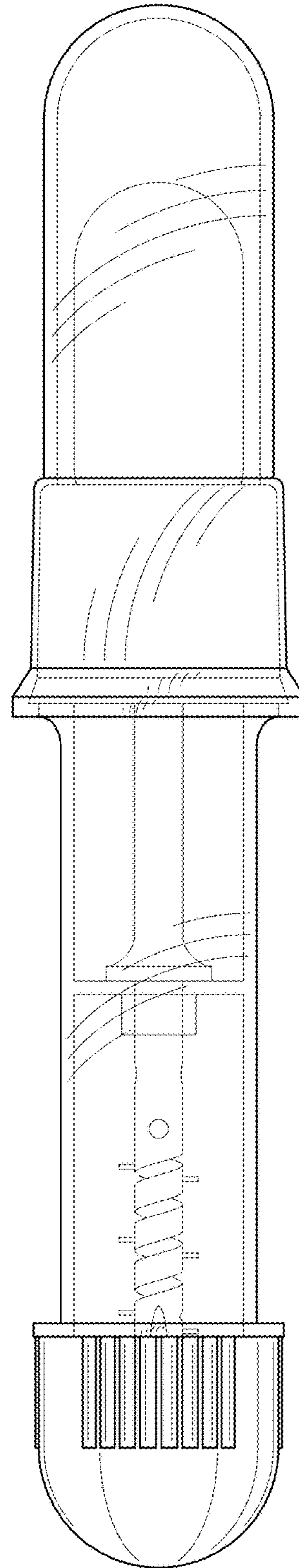


FIG. 12

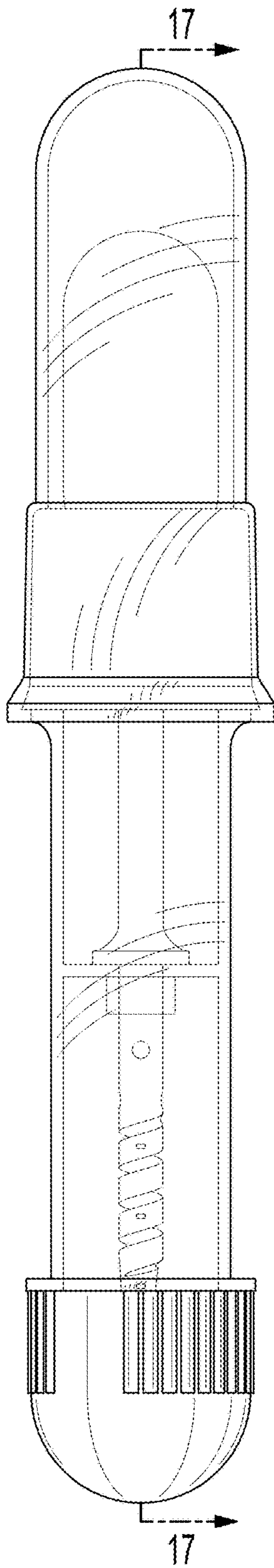


FIG. 13

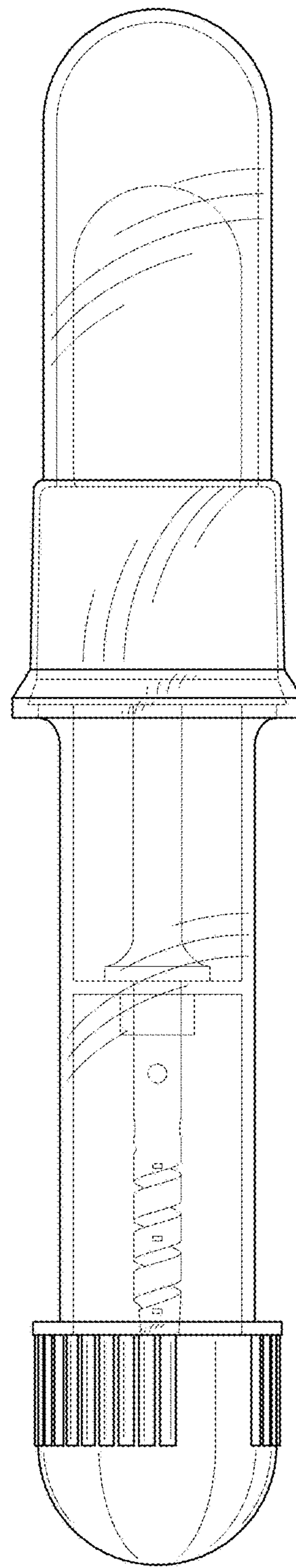


FIG. 14

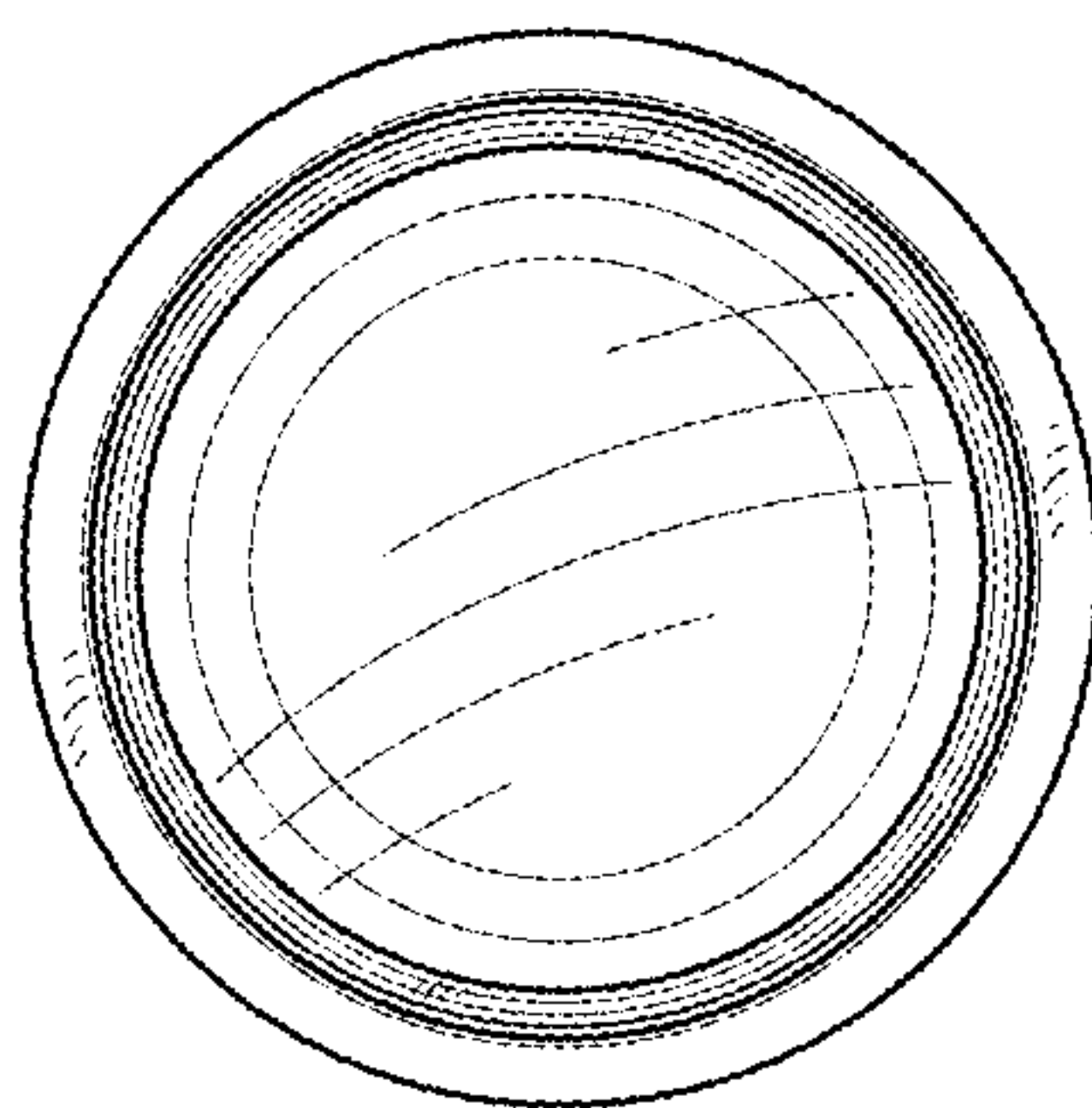


FIG. 15

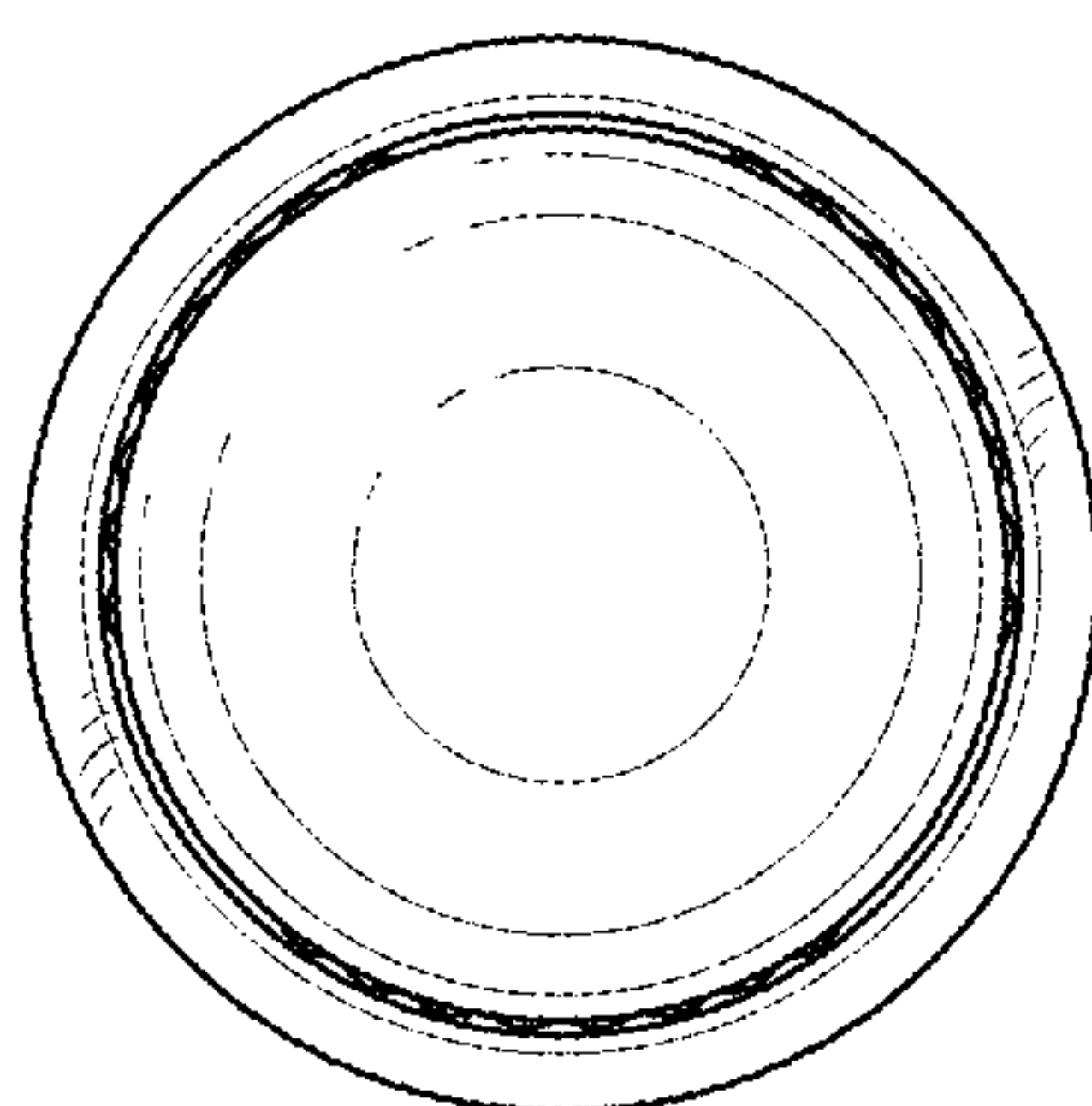


FIG. 16

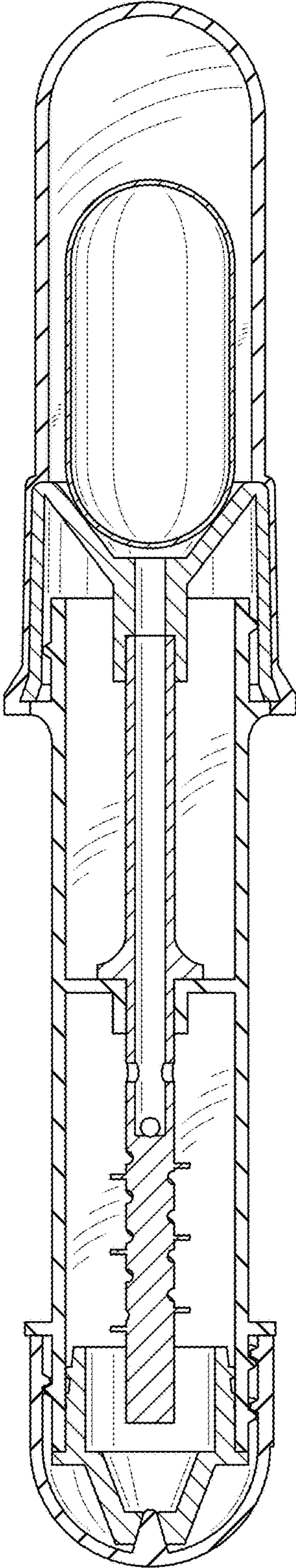


FIG. 17

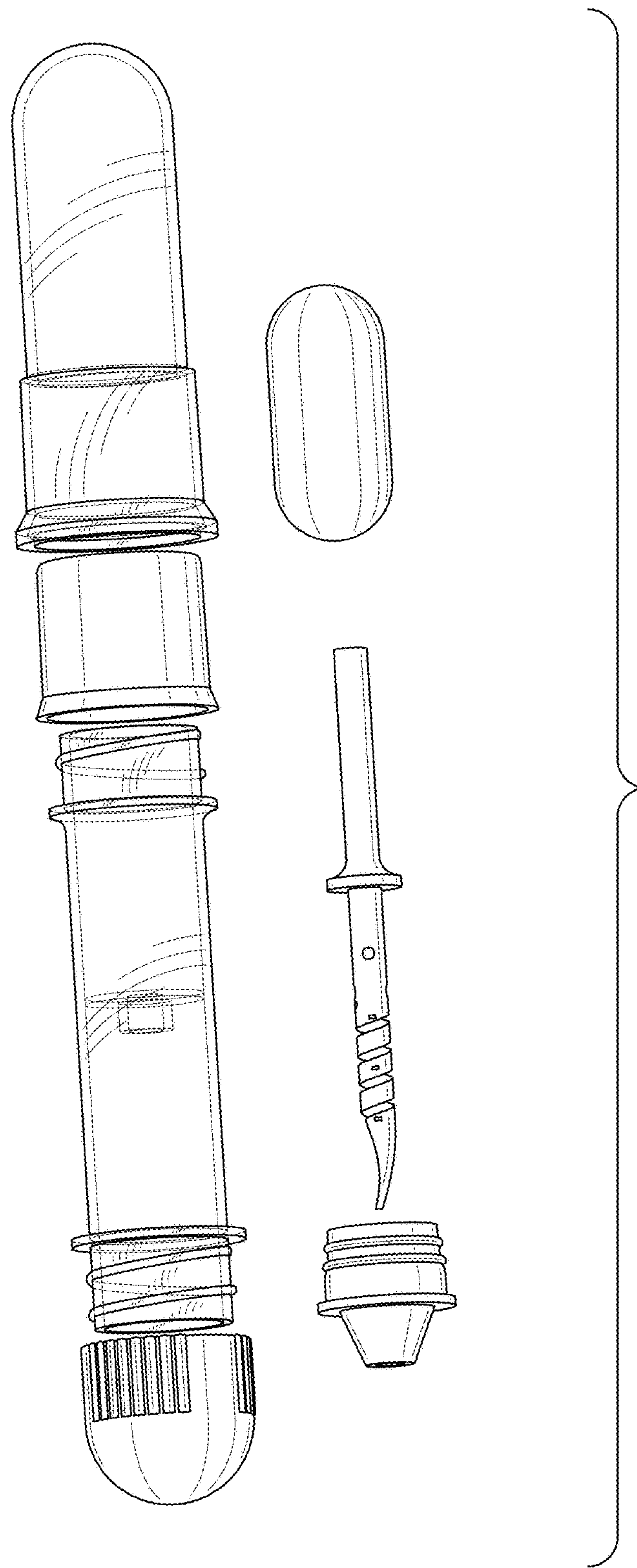


FIG. 18

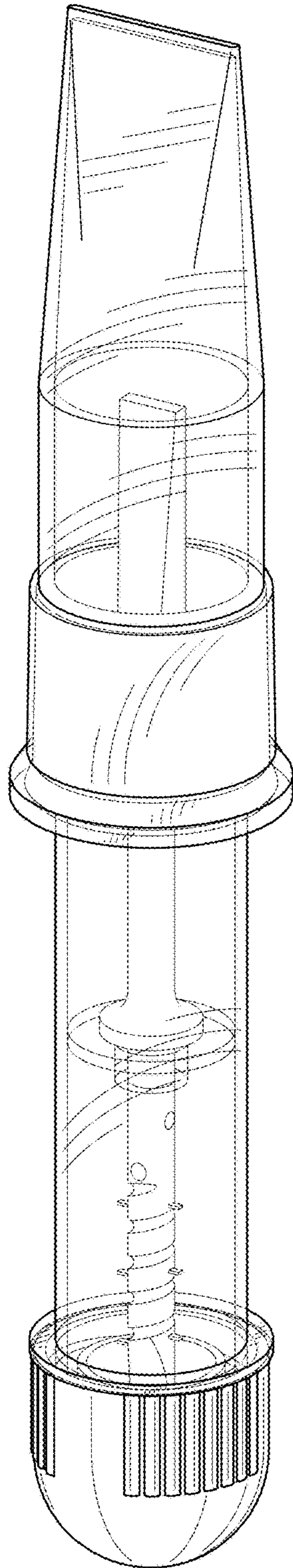


FIG. 19

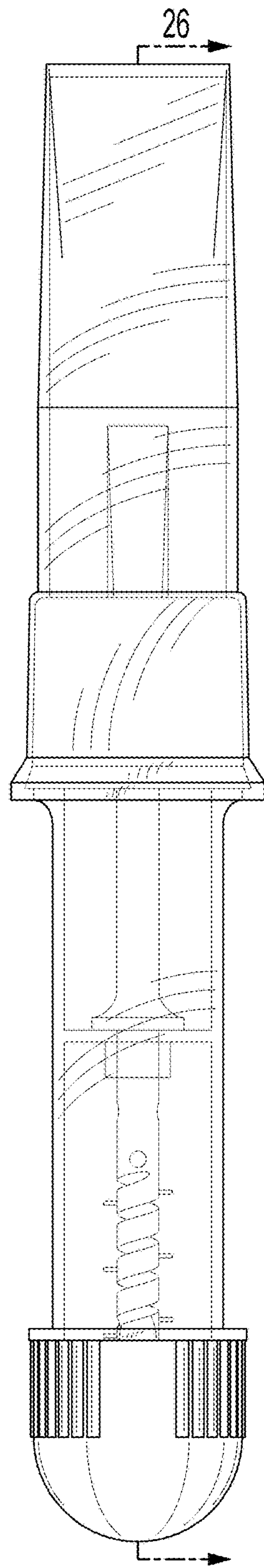


FIG. 20

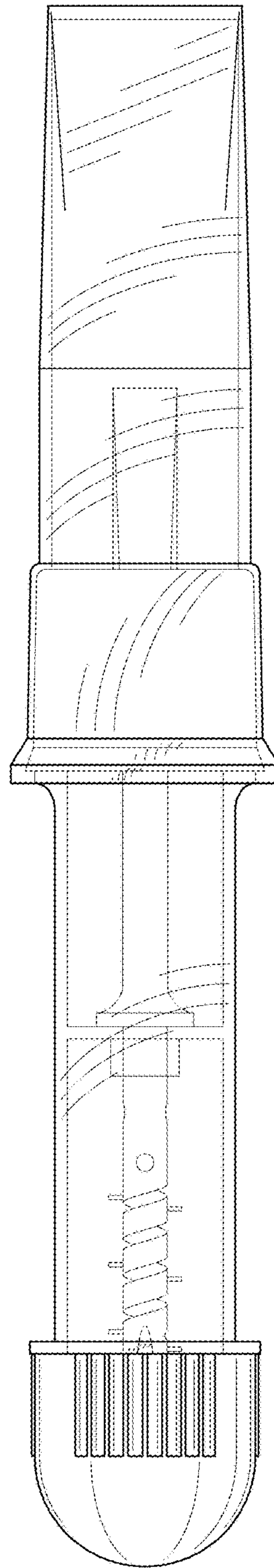


FIG. 21

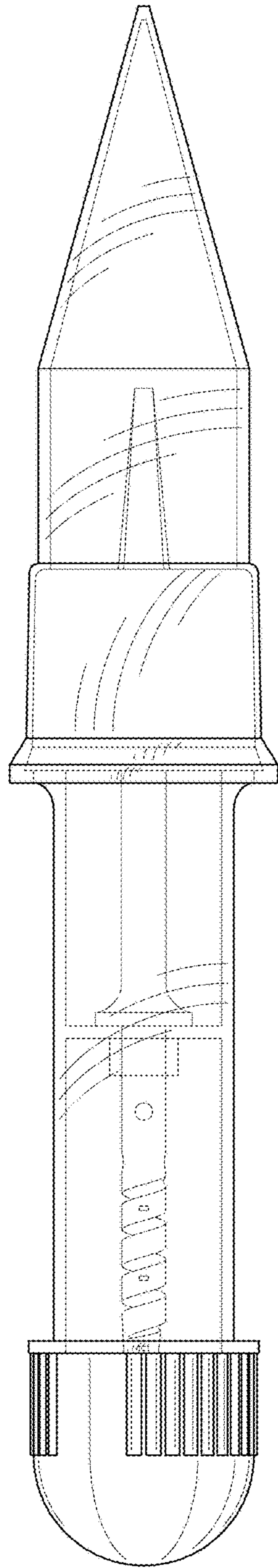


FIG. 22

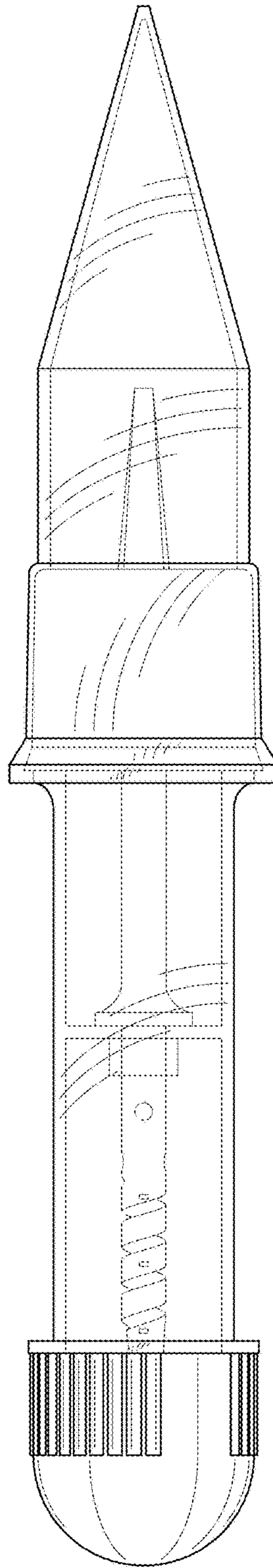


FIG. 23

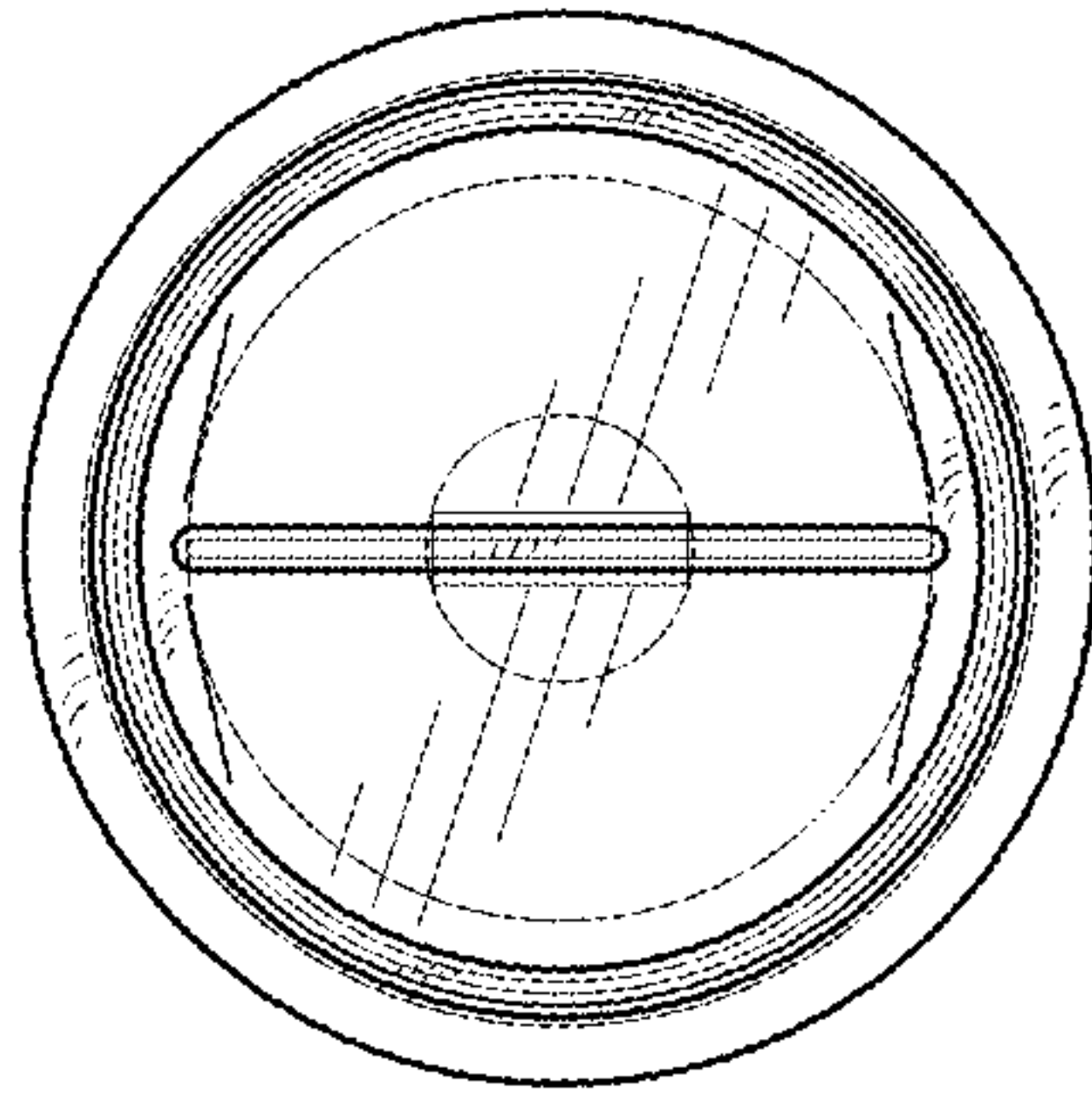


FIG. 24

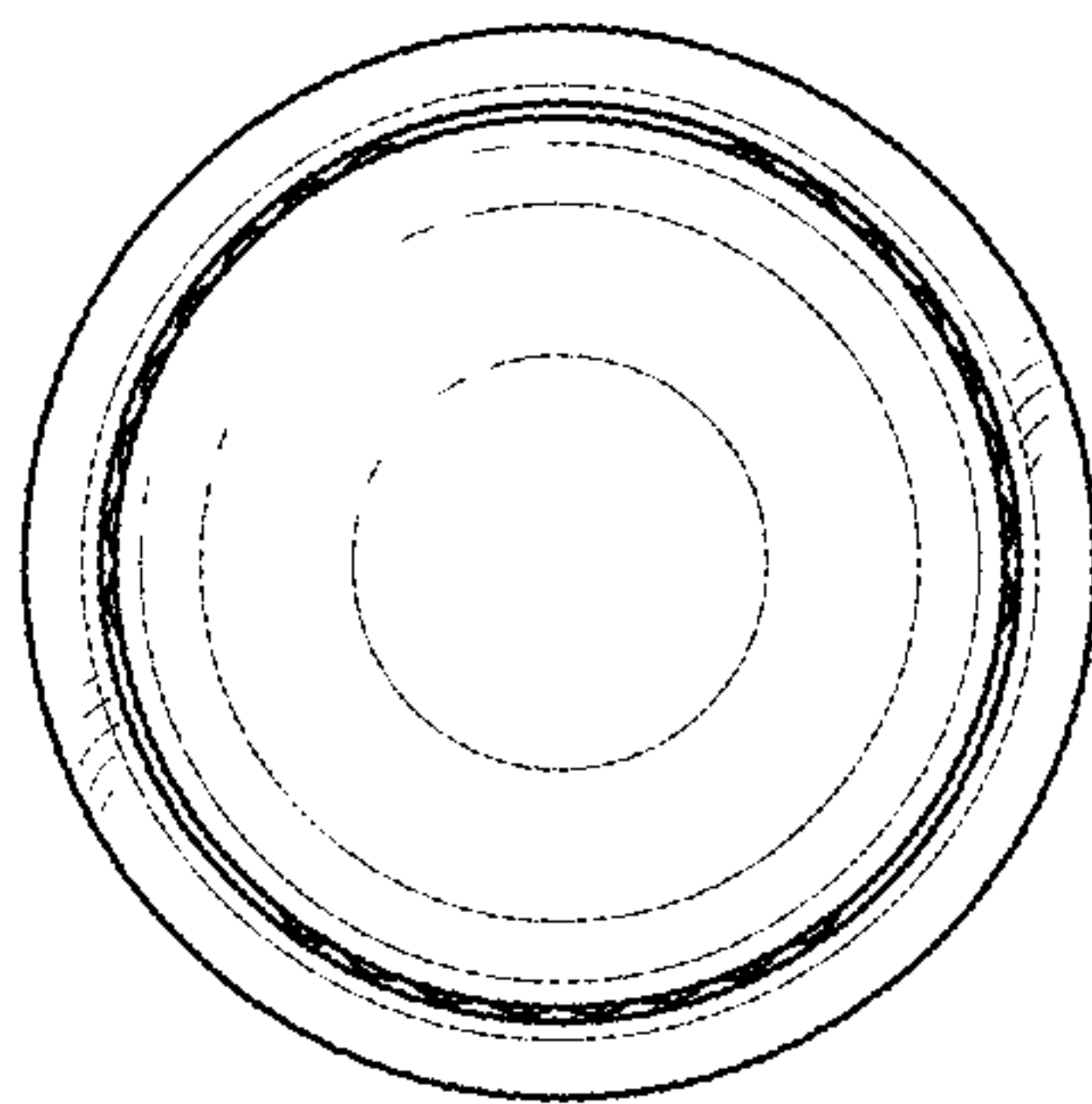


FIG. 25

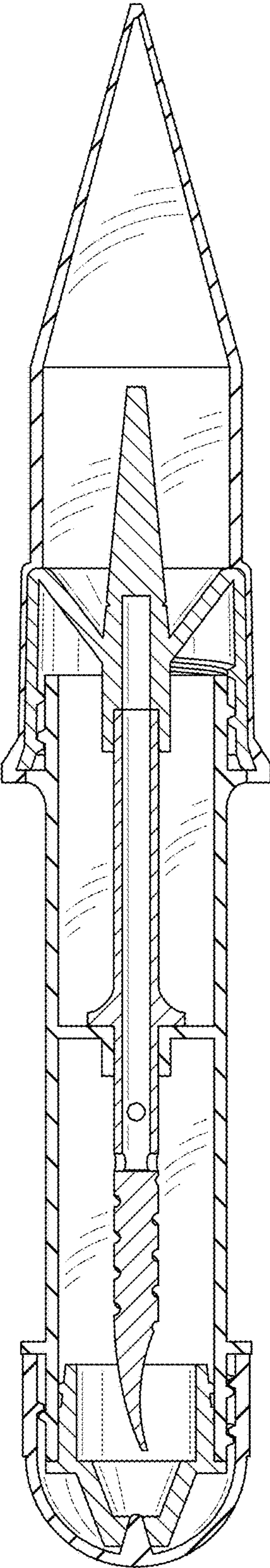


FIG. 26

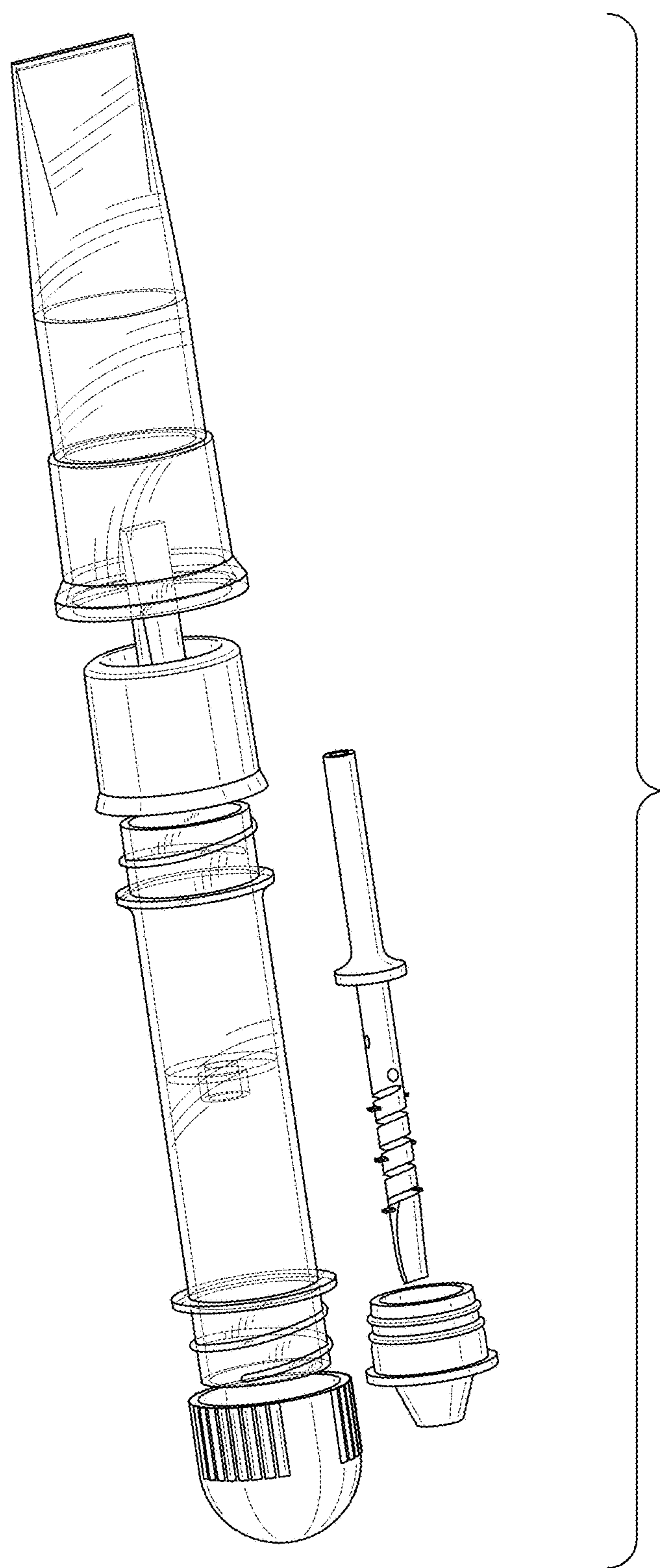


FIG. 27

UNITED STATES PATENT AND TRADEMARK OFFICE
CERTIFICATE OF CORRECTION

PATENT NO. : D776,291 S
APPLICATION NO. : 29/531698
DATED : January 10, 2017
INVENTOR(S) : John Wan et al.

Page 1 of 1

It is certified that error appears in the above-identified patent and that said Letters Patent is hereby corrected as shown below:

On the Title Page

(72) Inventors should read: John Wan, San Marino, CA (US);
Qinghai Xia, Beijing (CN);
Dandan Yang, Beijing (CN);
Delong Wan, San Marino, CA (US)

Signed and Sealed this
Twelfth Day of December, 2017



Joseph Matal

*Performing the Functions and Duties of the
Under Secretary of Commerce for Intellectual Property and
Director of the United States Patent and Trademark Office*