



US00D776290S

(12) **United States Design Patent**
Wan et al.

(10) **Patent No.:** **US D776,290 S**

(45) **Date of Patent:** **** Jan. 10, 2017**

(54) **FECAL OCCULT BLOOD DETECTOR**

(71) Applicant: **W.H.P.M. BIORESEARCH AND TECHNOLOGY CO., LTD.**, Beijing (CN)

(72) Inventors: **John Wan**, San Marino, CA (US); **Qinghai Xia**, Beijing (CN); **Jie Liu**, Beijing (CN)

(73) Assignee: **W.H.P.M. BIORESEARCH AND TECHNOLOGY**, Beijing (CN)

(**) Term: **15 Years**

(21) Appl. No.: **29/531,695**

(22) Filed: **Jun. 29, 2015**

(30) **Foreign Application Priority Data**

Dec. 31, 2014 (CN) 2014 3 0564475

(51) **LOC (10) Cl.** **24-01**

(52) **U.S. Cl.**
USPC **D24/216; D24/169**

(58) **Field of Classification Search**
USPC D24/216, 223, 224, 231, 232, 233, D24/107, 169, 186; D10/81
CPC G01N 2035/00306; G01N 2035/00326; G01N 2035/00336; B01L 3/502; B01L 3/5029; B01L 2030/042; B01L 2030/047; B01L 2030/0832; A16B 10/0038
See application file for complete search history.

(56) **References Cited**

U.S. PATENT DOCUMENTS

5,504,013 A * 4/1996 Senior B01L 3/5023
422/404
D612,514 S * 3/2010 Johnston D24/232

D675,335 S * 1/2013 Feuerabend D24/216
D709,209 S * 7/2014 Shibata D24/216
D719,276 S * 12/2014 Ryan D24/216
D746,999 S * 1/2016 Jonsson D24/216
2004/0092842 A1 * 5/2004 Boecker A61B 5/1411
600/575
2012/0180580 A1 * 7/2012 Immink A61B 10/0045
73/864.91
2015/0185114 A1 * 7/2015 Wang B01L 3/5029
422/501
2015/0276613 A1 * 10/2015 Markovsky G01N 30/86
436/501
2016/0122796 A1 * 5/2016 Hosaka C12Q 1/02
435/39

* cited by examiner

Primary Examiner — Anhdao Doan

(74) *Attorney, Agent, or Firm* — Scully Scott Murphy & Presser

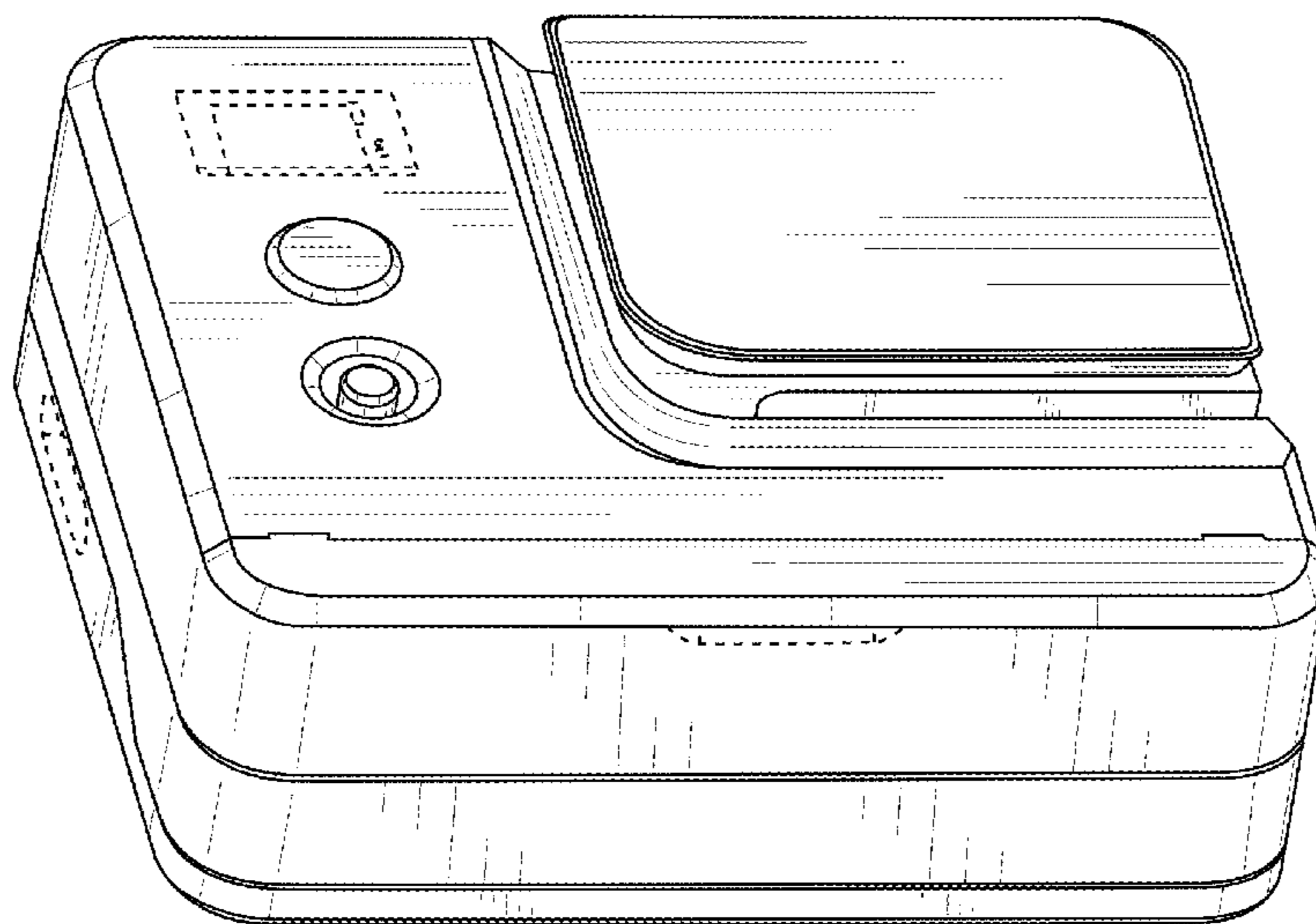
(57) **CLAIM**

The ornamental design for a fecal occult blood detector, as shown and described.

DESCRIPTION

FIG. 1 is a perspective view of a fecal occult blood detector, showing our new design;
FIG. 2 is a top view thereof;
FIG. 3 is a bottom view thereof;
FIG. 4 is a side view thereof;
FIG. 5 is an opposite side view thereof;
FIG. 6 is a rear view thereof;
FIG. 7 is a front view thereof; and,
FIG. 8 is a sectional view along Lines 8-8 of FIG. 2.
The broken lines immediately adjacent the shaded areas represent the bounds of the claim, while all other broken lines are directed to environment and are for illustrative purposes only. The broken lines form no part of the claimed design.

1 Claim, 8 Drawing Sheets



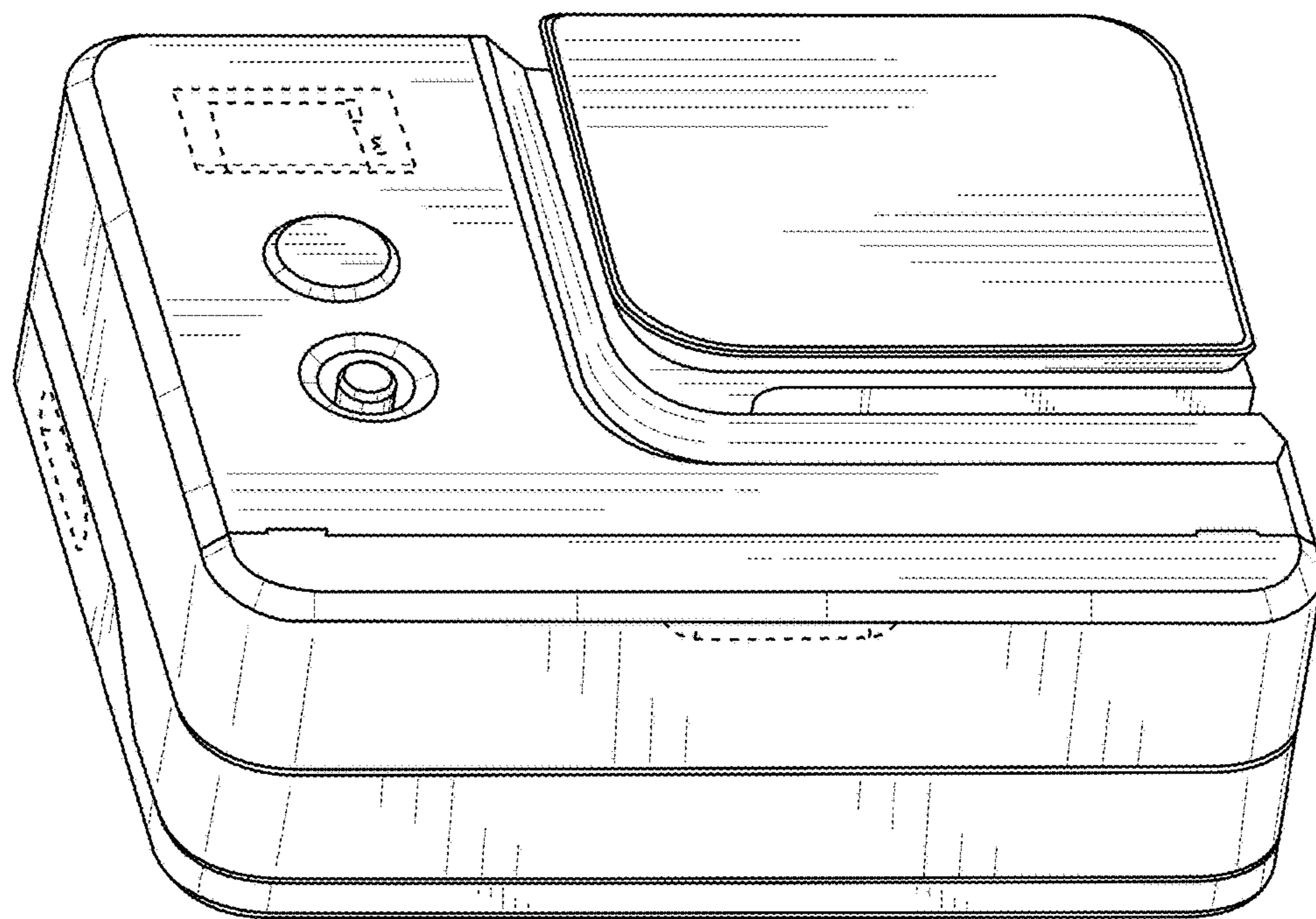


FIG. 1

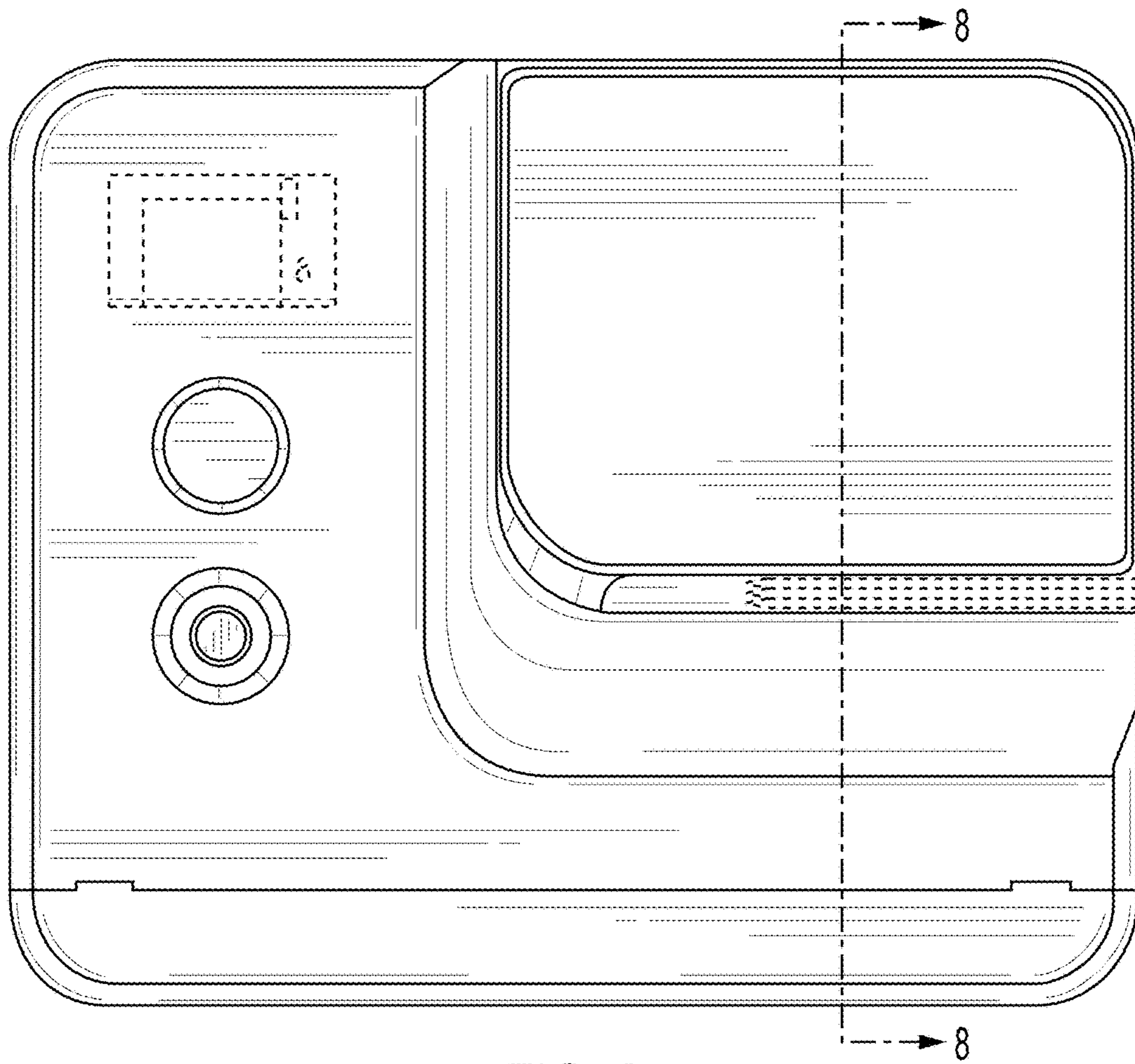


FIG. 2

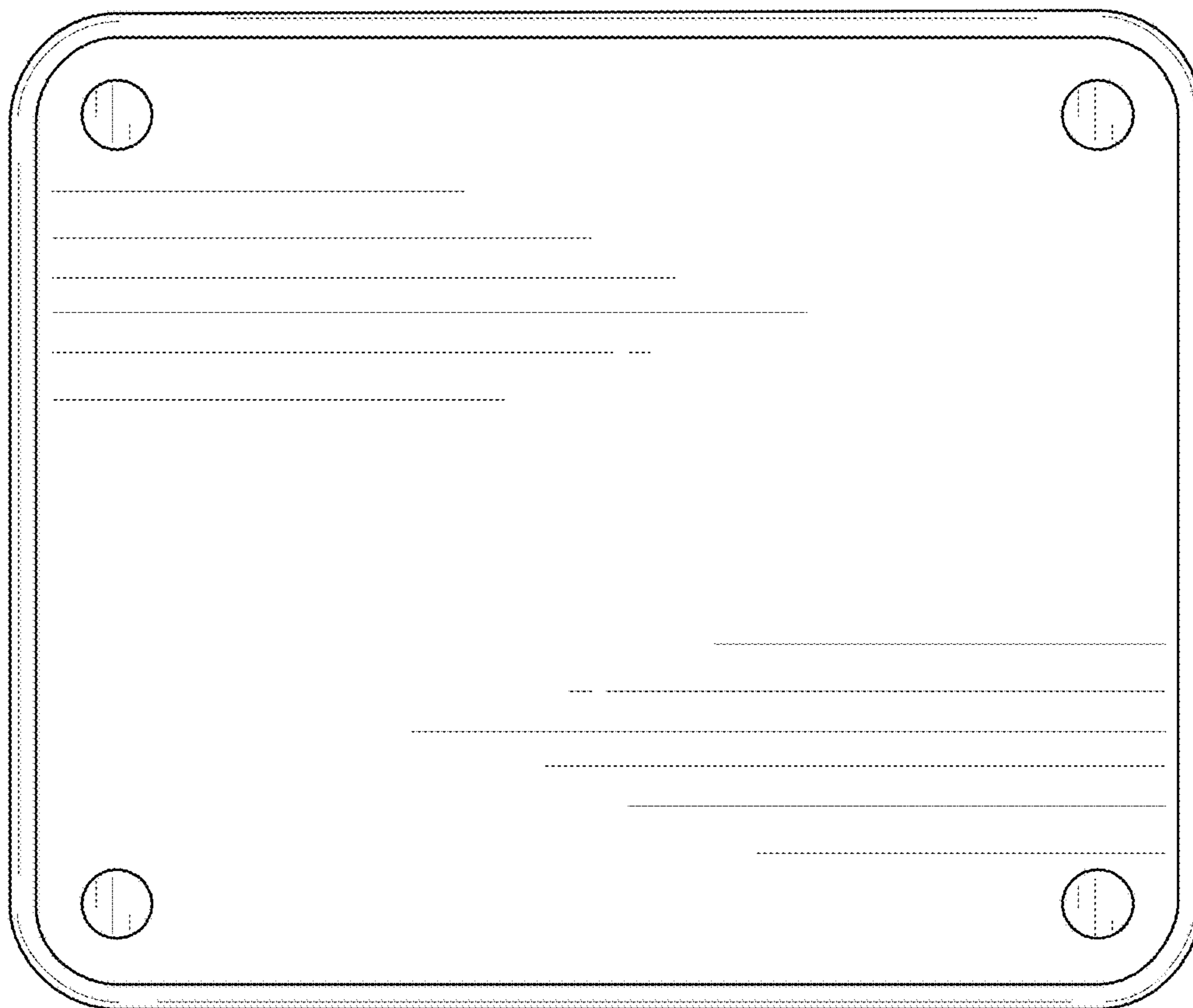


FIG. 3

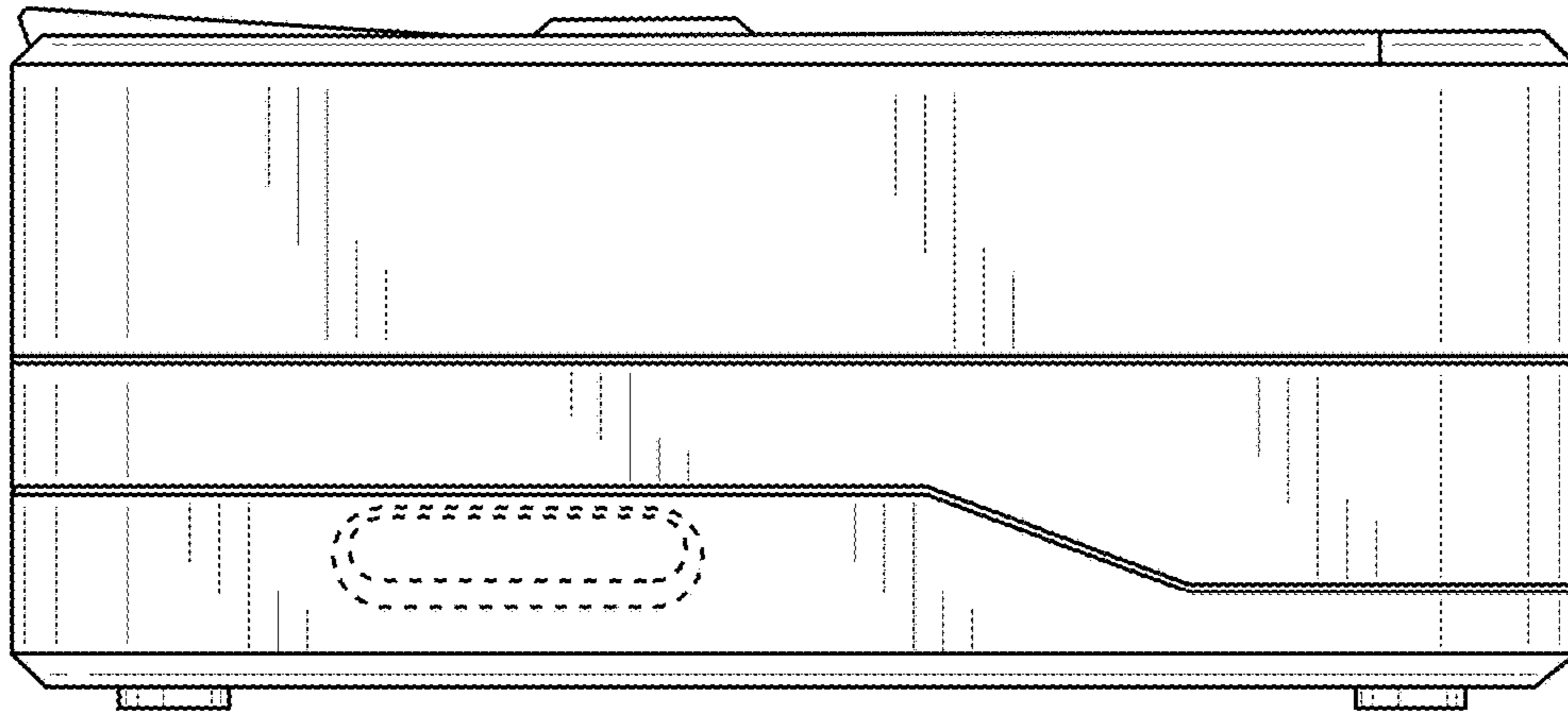


FIG. 4

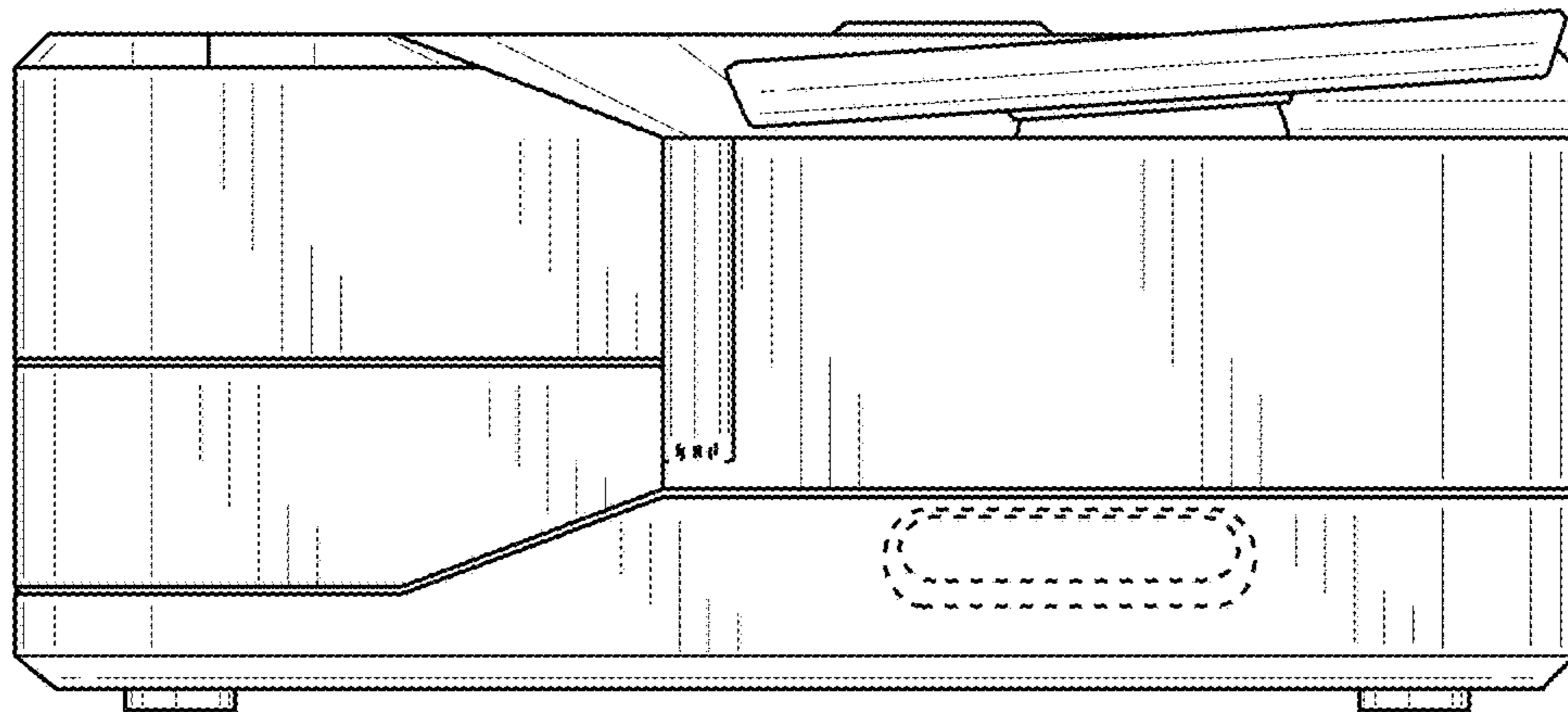


FIG. 5

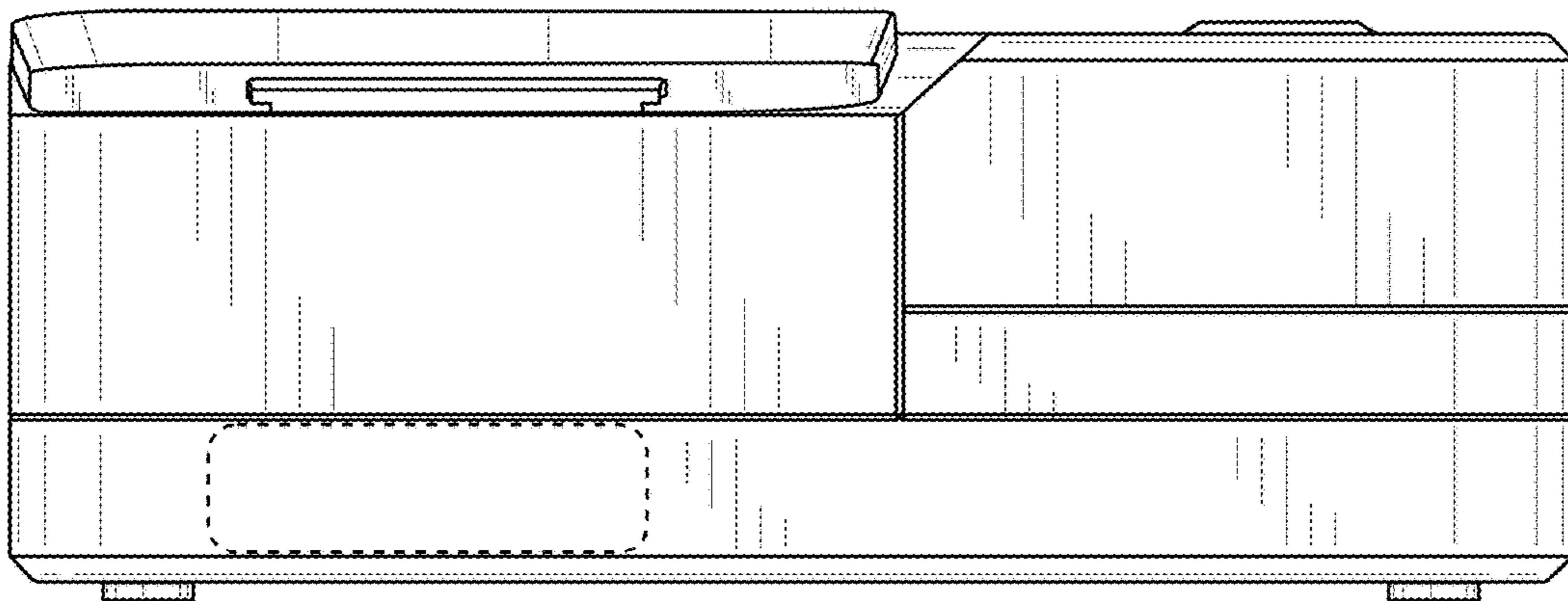


FIG. 6

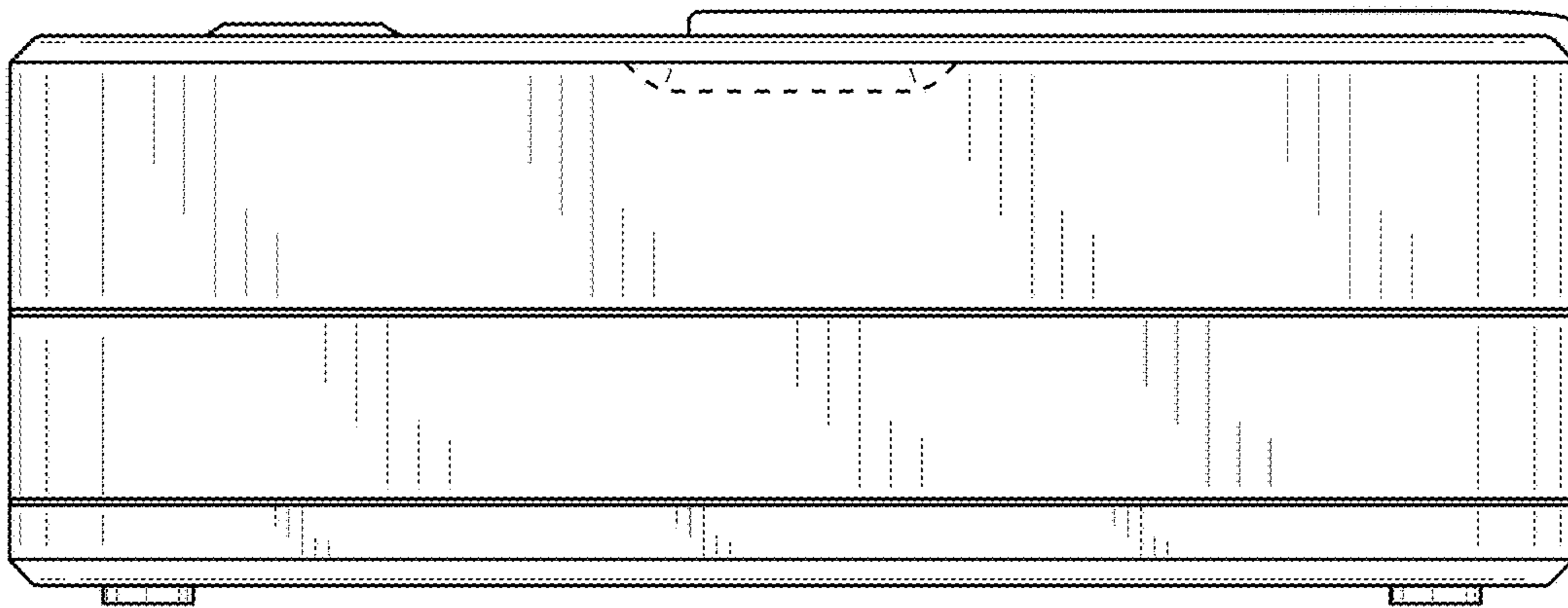


FIG. 7

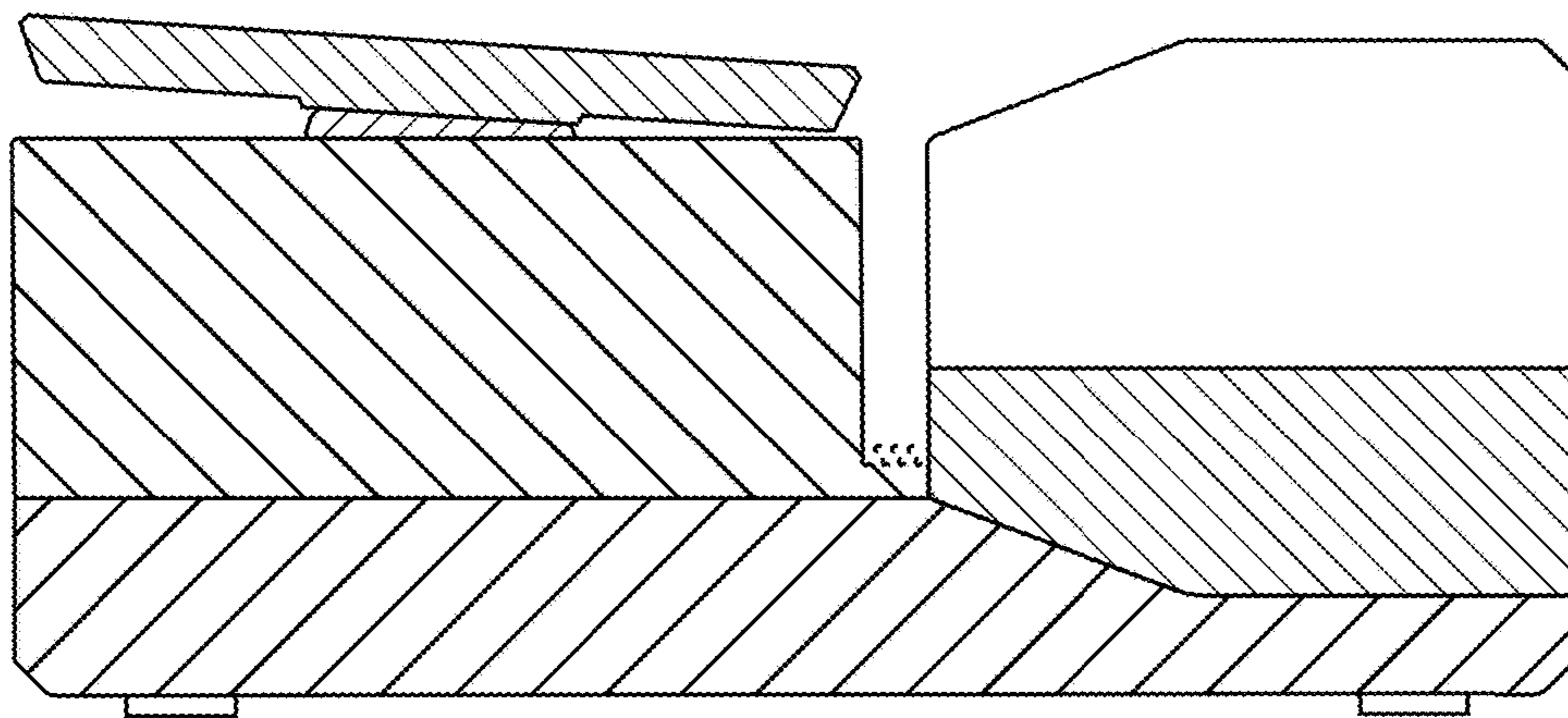


FIG. 8

UNITED STATES PATENT AND TRADEMARK OFFICE
CERTIFICATE OF CORRECTION

PATENT NO. : D776,290 S
APPLICATION NO. : 29/531695
DATED : January 10, 2017
INVENTOR(S) : John Wan et al.

Page 1 of 1

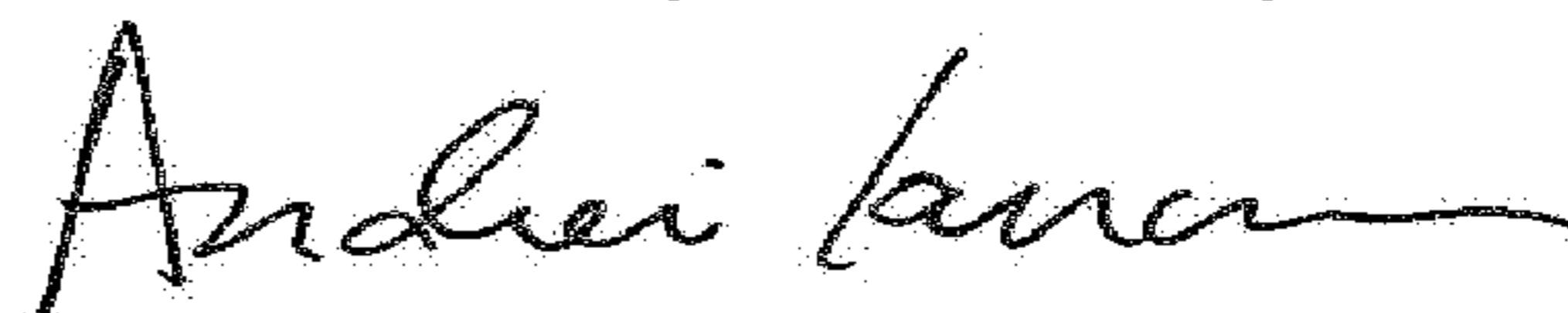
It is certified that error appears in the above-identified patent and that said Letters Patent is hereby corrected as shown below:

On the Title Page

Item (72) should read:

(72) Inventors: John Wan, San Marino, CA (US);
Qinghai Xia, Beijing (CN);
Jie Liu, Beijing (CN);
Delong Wan, San Marino, CA (US)

Signed and Sealed this
Twentieth Day of February, 2018



Andrei Iancu
Director of the United States Patent and Trademark Office